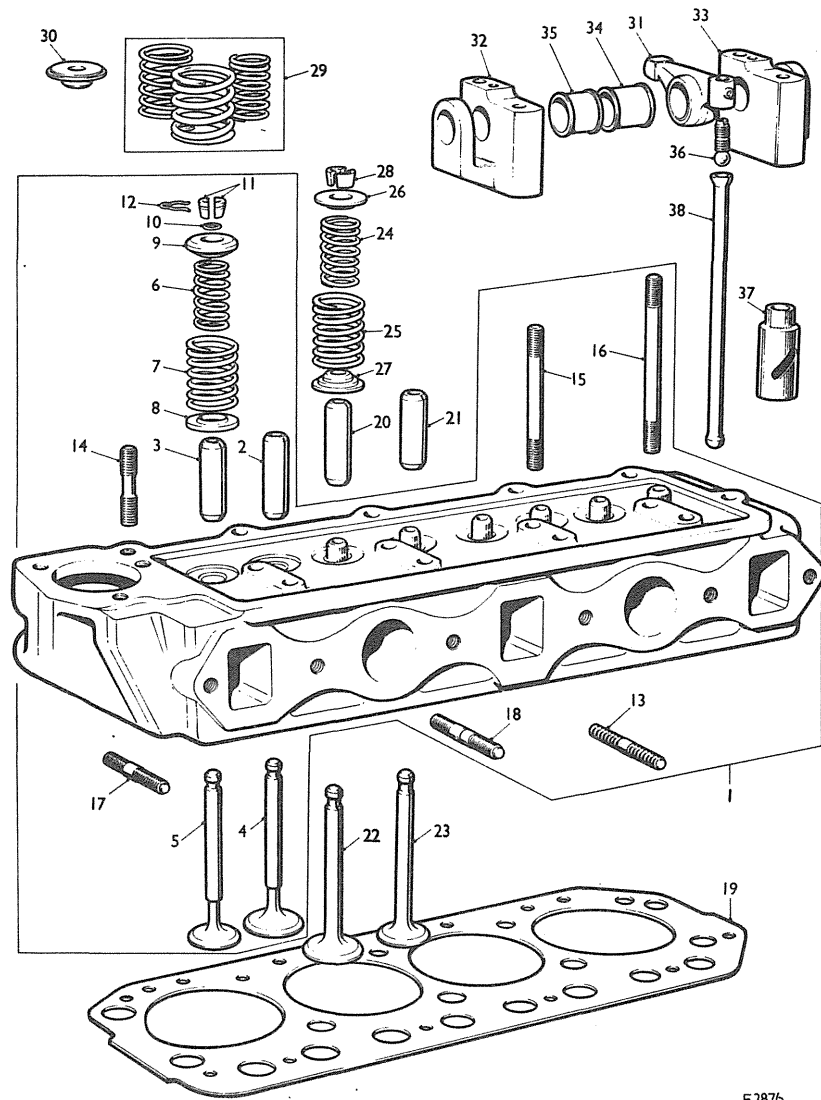


Ill. No.	Part No.	DESCRIPTION	Qty.	Change Point	REMARKS	
SPECIAL TUNING-ENGINE UNIT						
PISTON ASSEMBLY HC FLAT TOP						
1	AEH 736 43	.040"(1.016mm) O/S	4	(E)18G and 18GA	C-MG	
1	AEH 853 20	.020"(.508mm) O/S	4	(E)18GB		
1	AEH 853 40	.040"(1.016mm) O/S	4			
RING-PISTON-TOP						
2	AEH 738	Standard	4			
2	AEH 738 20	.020"(.508mm) O/S	4			
2	AEH 738 40	.040"(1.016mm) O/S	4			
RING-PISTON-2ND AND 3RD						
3	AEH 854	Standard	8			
3	AEH 854 20	.020"(.508mm) O/S	8			
3	AEH 854 40	.040"(1.016mm) O/S	8			
PISTON ASSEMBLY-ENGINE SET-LIGHTWEIGHT FORGED						
5	AJJ 3375	.080"(2.032mm) O/S	1SET		C-MG. Use with 12H 2968 C-MG.	
6	12H 2968	Crankshaft-competition (nitrided)	1			
7	18G 8103	Bearing-main	1SET	(E)18GB		
8	18G 8022	Bearing-connecting rod	1SET			
8	8G 2259	Bearing-connecting rod	NLA	(E)18G and 18GA		
9	12H 244	Gear-crankshaft	1			
CAMSHAFT						
10	AEH 714	Half race(24,64,59 and 29 degree lift .25")	1			
10	AEH 770	Full race(50,80,75 and 45 degree lift .315")	1			
10	AEH 863	Sprint(60,80,75 and 45 degree lift .315")	1			
10	AEH 862	Super sprint(60,80,85 and 55 degree lift .315")	1			
11	AEH 771	Gear-camshaft(steel)	1			
12	BHA 4415	Distributor(for full race camshaft)	1			
PLUG-SPARKING						
13	37H 4208	N64Y	4			
13	37H 2148	N60Y	4			
13	37H 2149	N62R	4			
13	27H 5982	N57R	4			
14	88G 219	Gasket-plug	4			

NOTE:
All parts listed with the remark C-MG are Competition parts and must be ordered direct from British Leyland Special Tuning Dept. Abingdon-on-Thames, Berkshire.



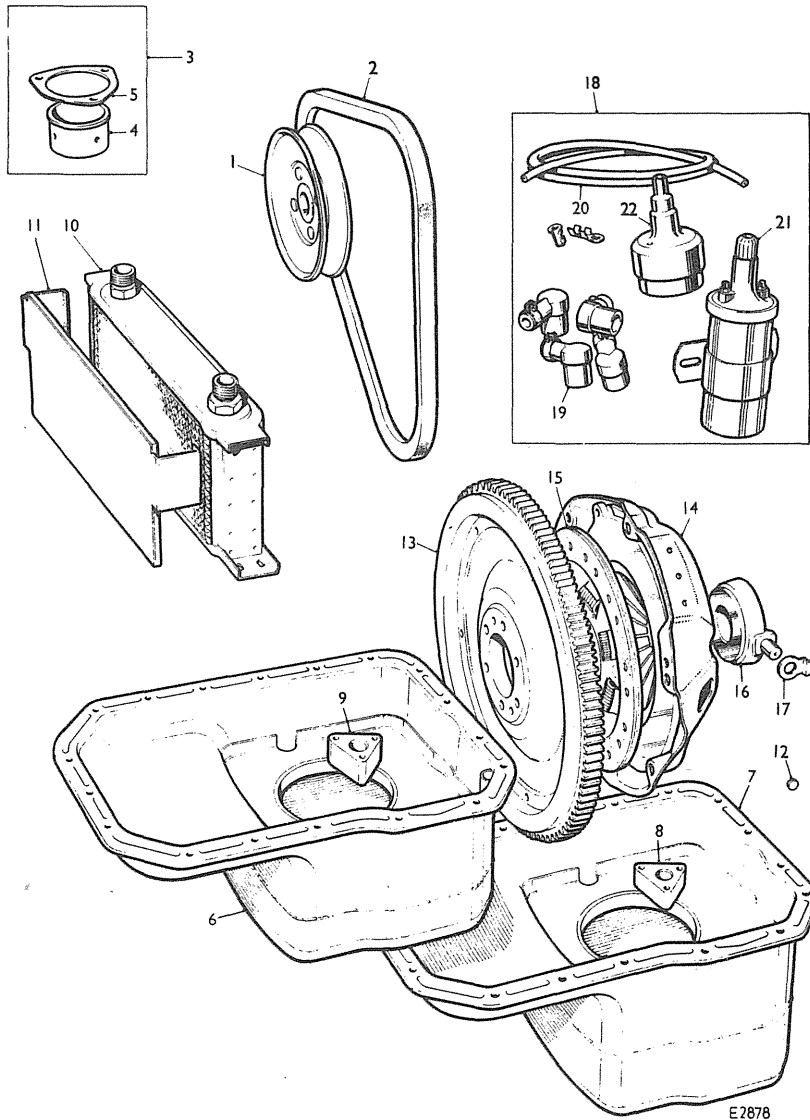
E2876

Ill. No.	Part No.	DESCRIPTION	Qty.	Change Point	REMARKS
----------	----------	-------------	------	--------------	---------

SPECIAL TUNING-ENGINE UNIT-continued

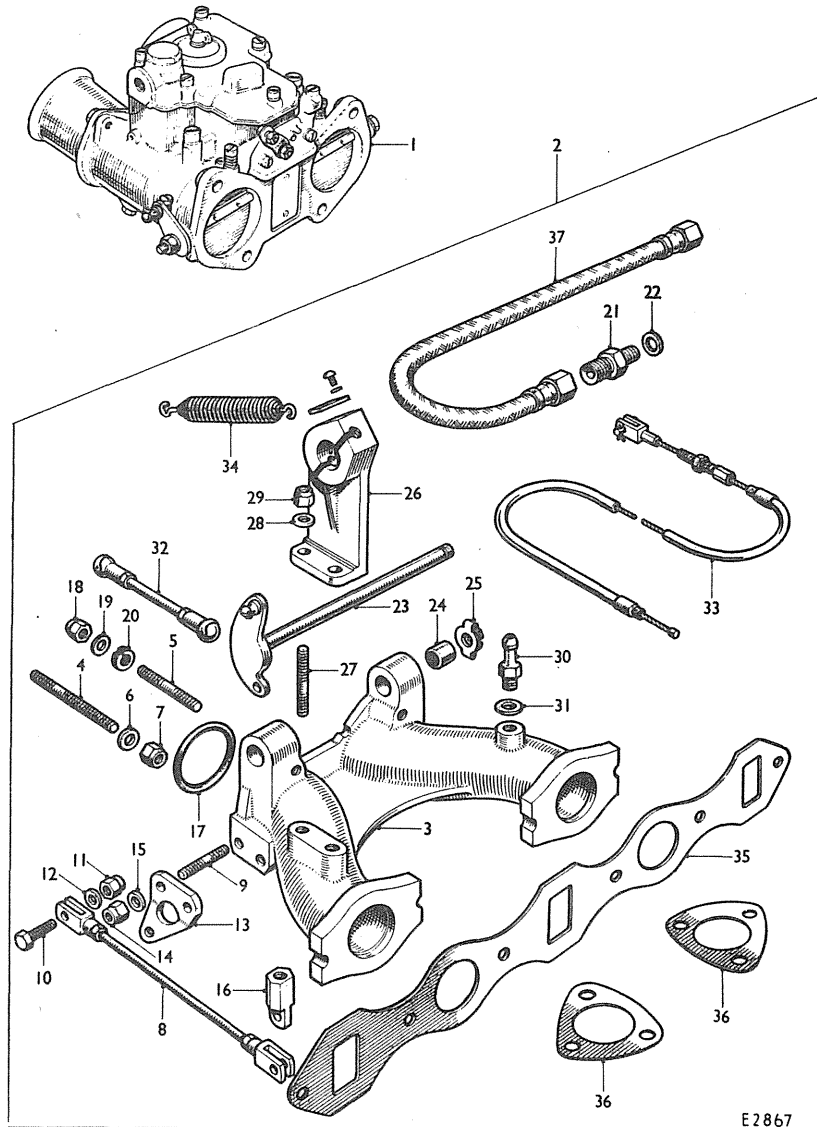
1	AHT 100	HEAD ASSEMBLY-CYLINDER-POLISHED STAGE 1 COMPLETE.....	1		C-MG.
2	AEH 755	Guide-valve-inlet.....	4		
3	AEH 756	Guide-valve-exhaust.....	4		C-MG.
4	12H 435	Valve-inlet.....	4		
5	12H 436	Valve-exhaust.....	4		C-MG.
6	1H 723	Spring-valve-inner.....	8		
7	AHH 7264	Spring-valve-outer.....	8		C-MG.
8	1H 1321	Collar.....	8		
9	12H 992	Cup.....	8		C-MG.
10	AEK 113	Seal.....	8		
11	1K 800	Cotter.....	8		C-MG.
12	1K 372	Circlip.....	8		
13	CHS 2515	Stud-carburetter.....	4		C-MG.
14	CHS 515	Stud-thermostat.....	3		
15	51K 881	Stud-rocker-short.....	2		C-MG.
16	51K 893	Stud-rocker-long.....	2		
17	FHS 2512	Stud-manifold-short.....	2		C-MG.
18	FHS 2514	Stud-manifold-long.....	NLA		
19	AEH 768	Gasket-cylinder head-competition.....	1		C-MG.
20	AEH 755	Guide-valve-inlet(hidural).....	4		
21	AEH 756	Guide-valve-exhaust(hidural).....	4		C-MG.
22	AEH 757	VALVE(NIMONIC) Inlet-1.56"(39.7mm)dia.....	4		
22	AEH 860	Inlet-1.69"(42.8mm)dia.....	4		C-MG.
23	AEH 758	Exhaust-1.34"(34.1mm)dia.....	4		
23	AEH 861	Exhaust-1.44"(36.5mm)dia.....	4		C-MG.
24	1H 1112	SPRING-VALVE Inner 57lb(29.9kg).....	8		
24	AHH 7265	Inner 60lb(27.2kg).....	8		C-MG. For nimonic VALVE AND double springs
25	AHH 7264	Outer 140lb(63.5kg).....	8		
26	AEH 760	Cup-top-valve spring.....	8		C-MG.
27	AEH 801	Cup-bottom-valve spring.....	8		
28	AEH 761	Collet-valve.....	8PRS		C-MG.
29	AHH 7309	Spring-valve-triple(set of 3).....	8		
30	AHH 7313	Cup-top-triple springs.....	8		C-MG.
31	12H 3377	Rocker-valve(strengthened).....	8		
32	AEH 762	Bracket-rocker shaft-front.....	1		C-MG.
33	AEH 763	Bracket-rocker shaft-rear.....	1		
34	AEH 764	Piece-distance-rocker-long.....	1		C-MG.
35	AEH 765	Piece-distance-rocker-short.....	2		
36	AEH 766	Screw-tappet adjusting.....	8		C-MG.
37	AEC 264	Tappet(large diameter).....	8		
38	AEH 767	Push-rod-short.....	8		C-MG.

NOTE:
All parts listed with the remark C-MG are Competition parts and must be ordered direct from British Leyland Special Tuning Dept. Abingdon-on-Thames, Berkshire.



Ill. No.	Part No.	DESCRIPTION	Qty.	Change Point	REMARKS
SPECIAL TUNING-ENGINE ANCILLARIES, FLYWHEEL, CLUTCH AND IGNITION					
1	2A 864	Pulley-dynamo(reduced speed).....	1		
2	GFB 103	Belt-fan-reduced speed pulley.....	1		
3	AJJ 4012	KIT-BLANKING SLEEVE AND THERMOSTAT BY-PASS.....	1		C-MG.
4	11G 176	Sleeve-blanking.....	1		
5	GTG 101	Gasket-thermostat.....	1		
6	AEH 832	Sump-deep type.....	1	(E)18GB	C-MG.
7	AHH 7252	Sump-deep type.....	1	(E)18G	
8	AHH 7238	Piece-packing-strainer.....	1	(E)18GA	
9	AEH 847	Piece-packing-strainer.....	1	(E)18GB	
10	ARO 9875	Cooler-oil-large capacity.....	1		
11	AHT 181	Cover-oil cooler.....	1		
12	AEH 798	Packing-oil relief valve spring.....	1		
13	AHT 86	Flywheel(lightened).....	1	(E)18GB	C-MG.
14	BHA 4642	Cover assembly-clutch.....	1		
15	BHA 4519	PLate-driven-clutch.....	1		
16	GRB 106	Bearing-thrust.....	1		
17	22B 66	Spring-retaining-thrust bearing.....	2		
18	AJJ 4010	KIT-HIGH TENSION-PLUG WATER PROOFING.....	1		C-MG.
19	AHT 265	Plug cover-Lodge.....	4		
20	AHT 266	H.T. lead(6ft length).....	1		
21	AHT 269	Coil.....	1		
22	8G 727	Cover-oil.....	1		
	AHT 332	Switch-ignition cut-out.....	1		C-MG.

NOTE:
All parts listed with the remark C-MG are Competition parts and must be ordered direct from British Leyland Special Tuning Dept. Abingdon-on-Thames, Berkshire.



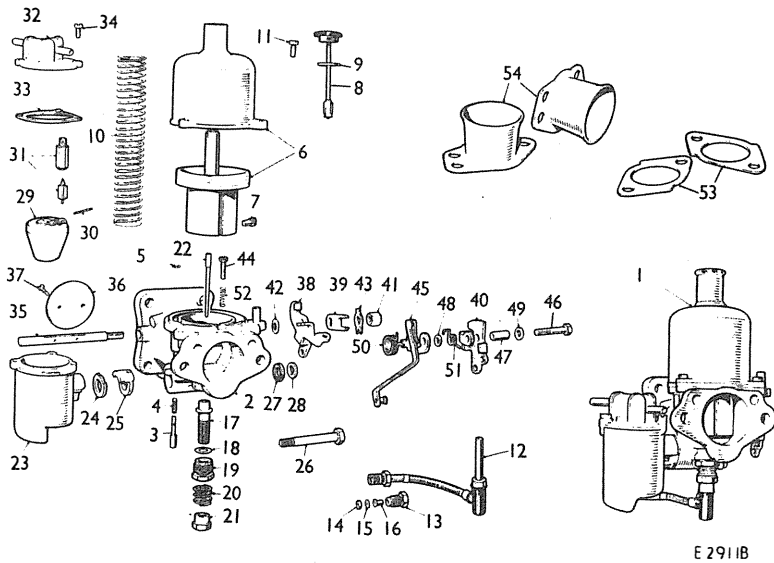
Ill. No.	Part No.	DESCRIPTION	Qty.	Change Point	REMARKS
SPECIAL TUNING-WEBER CARBURETTER AND FITTINGS					
1	AEH 785	CARBURETTER-WEBER-TWIN			
	NLA	CHOKE 45D COE.....	1		C-MG.
		KIT-INSTALLATION.....	1		Was AJJ 3312.
3	AEH 772	Manifold-inlet.....	1		
4	AEH 775	Stud-long.....	2]C-MG.
5	AEH 776	Stud-short.....	2		
6	PWZ 105	Washer-plain.....	4		
7	AEH 777	Nut-lock.....	4]C-MG.
8	AEH 778	Rod-steady.....	1		
10	HBZ 510	Bolt-fork end.....	2		
11	LNZ 205	Nut-bolt.....	2		
12	PWZ 105	Washer-plain.....	2		
13	AEH 781	Plate-anchor.....	1		C-MG.
14	LNZ 205	Nut-anchor plate.....	2		
15	PWZ 105	Washer-plain.....	2		
16	AEH 843	Nut-anchor-steady rod-rear.....	1]C-MG.
17	AEA 605	'O'ring-carburetter to manifold.....	2		
18	LNZ 205	Nut-carburetter stud.....	4		
19	PWZ 105	Washer-nut.....	4		
21	AEH 786	Adaptor-union.....	1		C-MG.
22	6K 638	Washer-union(copper).....	1		
23	AEH 787	Throttle-countershaft.....	1]C-MG.
24	AEH 774	Bearing.....	2		
26	AEH 792	Bracket-throttle cable abutment.....	1		
28	PWZ 105	Washer-plain.....	2		
29	LNZ 205	Nut-lock.....	2		
30	AEH 793	Adaptor-servo brakes.....	1		C-MG.
31	6K 638	Washer(copper).....	1		
32	AEH 794	Link-throttle.....	1]C-MG.
33	AHH 7365	Cable-throttle.....	1		
34	AHH 5621	Sprig-throttle return.....	1		
35	GEG 602	Gasket-induction manifold.....	1		
36	AHH 6358	Joint-exhaust pipe.....	2		
37	AHH 5544	Pipe-petrol-flexible.....	1		

NOTE:
All parts listed with the remark C-MG are Competition parts and must be ordered direct from British Leyland Special Tuning Dept. Abingdon-on-Thames, Berkshire.

Ill. No.	Part No.	DESCRIPTION	Qty.	Change Point	REMARKS
----------	----------	-------------	------	--------------	---------

SPECIAL TUNING-TWIN 1.75" HS6 CARBURETTER

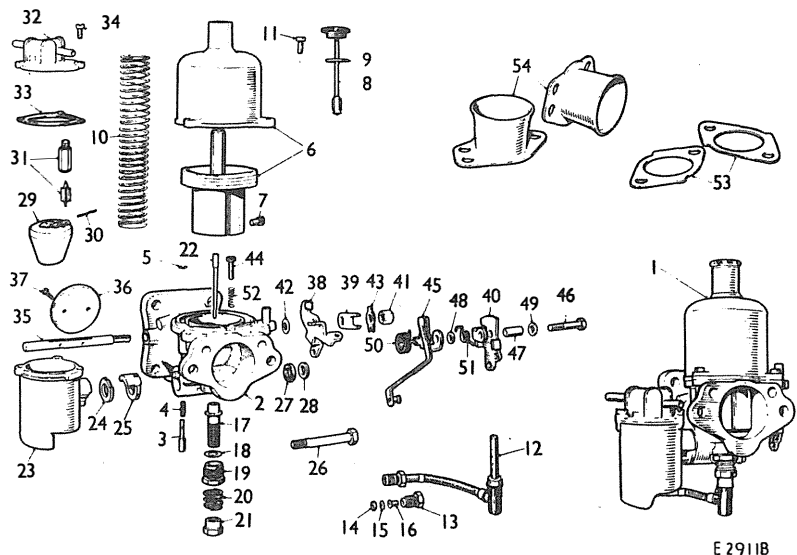
	AUD 229	CARBURETTER-1.75" HS6.....	1PR		C-MG.
1	CUD 9097	CARBURETTER-FRONT.....	1		
	CUD 9098	CARBURETTER-REAR.....	1		
2	AUD 9544	Body-front.....	1		
	AUD 9550	Body-rear.....	1		
3	AUC 1249	Pin-piston lifting.....	2		
4	AUC 1151	Spring-pin.....	2		
5	AUC 1250	Circlip-pin.....	2		
6	AUD 9187	CHAMBER AND PISTON ASSEMBLY.....	2		
7	AUC 2057	Screw-needle locking.....	2		
8	AUC 8114	Cap and damper.....	2		
9	AUC 4900	Washer(fibre).....	2		
10	AUC 4587	Spring-piston-Blue.....	2		
11	AUC 2175	Screw-chamber to body.....	6		
12	AUD 9148	JET ASSEMBLY-FRONT.....	1		
	AUD 9149	JET ASSEMBLY-REAR.....	1		
13	AUD 2129	Nut.....	2		
14	AUD 2193	Washer.....	2		
15	AUD 2194	Gland.....	2		
16	AUD 2195	Ferrule.....	2		
17	AUC 8460	Bearing-jet.....	2		
18	AUC 8478	Washer-jet bearing(brass).....	2		
19	AUC 2002	Screw-jet locking.....	2		
20	AUC 2114	Spring-jet locking.....	2		
21	AUC 8461	Screw-jet adjusting.....	2		
22	AUD 1338	Needle-'SY'.....	2		
23	AUC 1310	Chamber-float.....	2		
24	AUC 1329	Washer-support.....	2		
25	AUD 2677	Grommet-front.....	1		
	AUD 2676	Grommet-rear.....	1		
26	AUD 3017	Bolt-float chamber fixing.....	2		
27	AUC 1318	Mounting-bolt.....	2		
28	AUC 1317	Washer-bolt.....	2		Use with AUC 1319 only.
29	AUD 9904	Float.....	2		
30	AUC 1152	Pin-hinge.....	2		
31	AUD 9096	Needle and seat.....	2		
32	AUD 9209	Lid-float chamber-front.....	1		
33	AUC 8459	Gasket-lid.....	2		
34	AUC 2175	Screw-lid securing.....	6		
	LWZ 303	Washer-spring.....	6		
35	AUC 8494	Spindle-throttle.....	2		
36	AUC 3280	Disc-throttle.....	2		
37	AUC 1358	Screw-disc.....	4		
38	AUD 2788	Lever-throttle return-front.....	1		
	AUD 2787	Lever-throttle return-rear.....	1		
39	AUC 1400	Lever-lost motion.....	2		
40	AUD 3346	Lever-cam-front.....	1		
	AUD 3347	Lever-cam-rear.....	1		



E 291 B

NOTE:

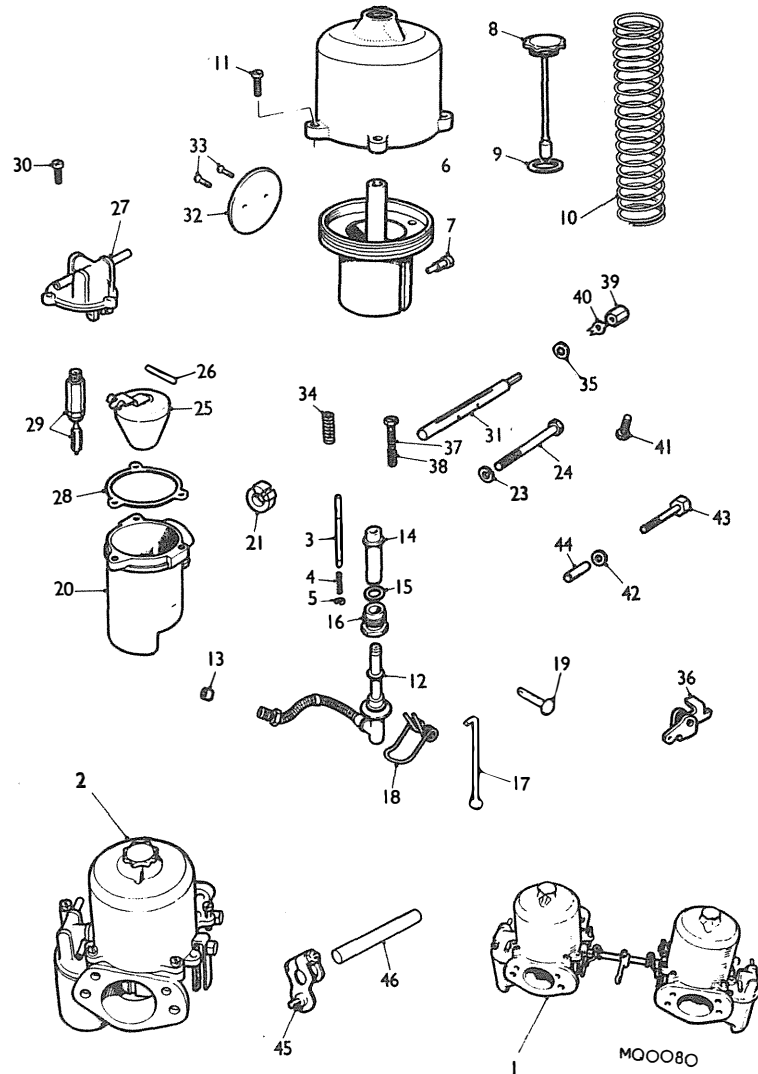
All parts listed with the remark C-MG are Competition parts and must be ordered direct from British Leyland Special Tuning Dept. Abingdon-on-Thames, Berkshire.



E 2911B

III. No.	Part No.	DESCRIPTION	Qty.	Change Point	REMARKS
SPECIAL TUNING-TWIN 1075" HS6 CARBURETTER-continued					
41	AUC 1424	Nut-bearing	2		
42	AUC 2625	Washer(brass)	2		
43	AUC 1206	Washer-tab	2		
44	AUC 8483	Screw-throttle stop.....	4		
45	AUD 9090	Lever and link-pick-up-front	1		
	PTZ 605	Screw-link to jet	2		
46	AUC 1426	Bolt-pivot	2		
47	AUC 8473	Tube-pivot bolt	2		
48	AUC 5032	Washer-distance	4		
50	AUC 8462	Spring pick-up lever-front.....	1		
	AUC 1375	Spring-pick-up lever-rear	1		
51	AUD 2050	Spring-cam lever-front.....	1		
	AUD 2049	Spring-cam lever-rear	1		
52	AUC 2451	Spring-throttle stop return	4		
	NLA	KIT-INSTALLATION	1		C-MG. Was AJJ 3321.
53	AEH 858	Gasket.....	2		
	HZS 508	Screw.....	2		
	HZS 509	Screw.....	2		
	LNZ 105	Nut	2		
	PWZ 105	Washer-plain.....	4		
54	AHH 7209	Pipe-flare	2		C-MG.

NOTE:
All parts listed with the remark C-MG are Competition parts and must be ordered direct from British Leyland Special Tuning Dept. Abingdon-on-Thames, Berkshire.

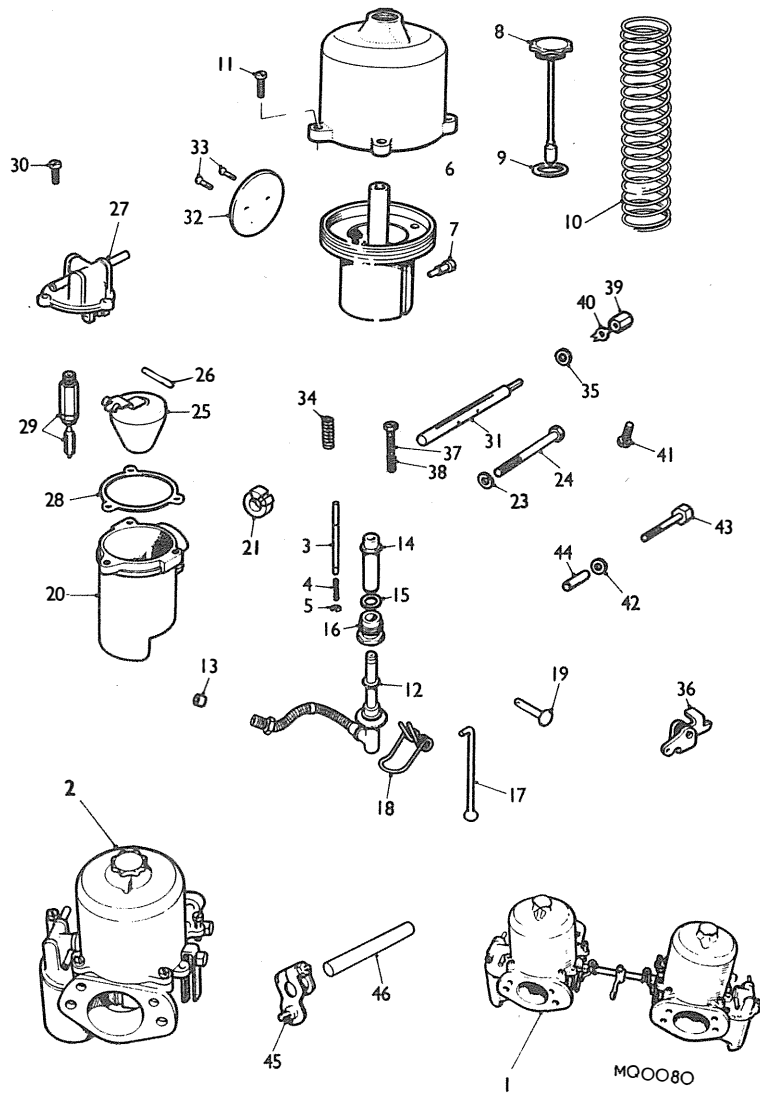


III. No.	Part No.	DESCRIPTION	Qty.	Change Point	REMARKS
----------	----------	-------------	------	--------------	---------

SPECIAL TUNING-TWIN 2" HS8 CARBURETTER

1	AUD 279	CARBURETTER-TWIN 2"-HS8	1PR		C-MG.
2	AUC 9486	CARBURETTER-FRONT	1		
	AUC 9487	CARBURETTER-REAR	1		
	AUD 2565	Cap-blanking-front	1		
3	AUD 2621	Pin-piston lifting	2		
4	AUC 1151	Spring-pin	2		
5	AUC 1250	Circlip-pin	2		
6	NLA	CHAMBER AND PISTON ASSEMBLY	2		Was AUD 9195.
7	AUC 2057	Screw-needle locking	2		
8	AUC 8114	Cap and damper	2		
9	AUC 4900	Washer(fibre)	2		
10	AUC 2107	Spring-piston-Blue and Black	2		
11	AUC 2175	Screw-chamber to body	8		
12	AUD 9480	JET ASSEMBLY-REAR	1		
13	AUD 2623	Gland	2		
14	AUD 2619	Bearing-jet	2		
15	AUC 8478	Washer-jet bearing(brass)	2		
16	AUC 2002	Screw-jet locking	2		
	LWZ 403	Washer-shakeproof	2		
17	AUD 9387	Rod-jet connecting	2		
18	AUD 2618	Spring-jet return	2		
19	CLZ 314	Pin-bracket	4		
20	AUD 2631	Chamber-float	2		
21	AUD 2677	Adaptor-front	1		
	AUD 2676	Adaptor-rear	1		
22	AUC 1318	Washer-plain	2		
23	AUC 1329	Washer-spring	2		
24	AUD 3017	Bolt	2		
25	AUC 8453	Float	2		
26	AUC 1152	Pin-hinge	2		
27	AUD 9209	Lid-float chamber-rear	1		
28	AUC 8459	Washer-lid	2		
29	AUD 9811	Needle and seat	2		
30	AUC 2175	Screw-lid	6		
	LWZ 303	Washer-spring	6		
31	AUD 2600	Spindle-throttle	2		

NOTE:
All parts listed with the remark C-MG are Competition parts and must be ordered direct from British Leyland Special Tuning Dept. Abingdon-on-Thames, Berkshire.



Ill. No.	Part No.	DESCRIPTION	Qty.	Change Point	REMARKS
----------	----------	-------------	------	--------------	---------

SPECIAL TUNING-TWIN 2" HS8 CARBURETTER-continued

32	AUC 4890	Disc-throttle	2		
33	AUC 1358	Screw-disc.....	4		
34	AUD 2699	Spring-screw.....	2		
35	AUC 2625	Washer-spindle(brass)	2		
36	AUD 2609	Lever-jet-rear	1		
37	AUD 2692	Screw-jet adjusting	2		
38	AUD 2699	Spring-screw.....	2		
39	AUC 1424	Nut-throttle spindle	2		
40	AUC 1206	Washer-tab	2		
41	AUD 2604	Screw-cam-adjusting	2		
42	AUC 1130	Washer.....	6		
43	AUC 1426	Bolt-pivot.....	2		
44	AUC 8473	Tube-pivot bolt	2		
45	AUE 586	Lever assembly-RH.....	1		
	AUE 587	Lever assembly-LH.....	1		
46	AUE 583	Rod-connecting.....	1		

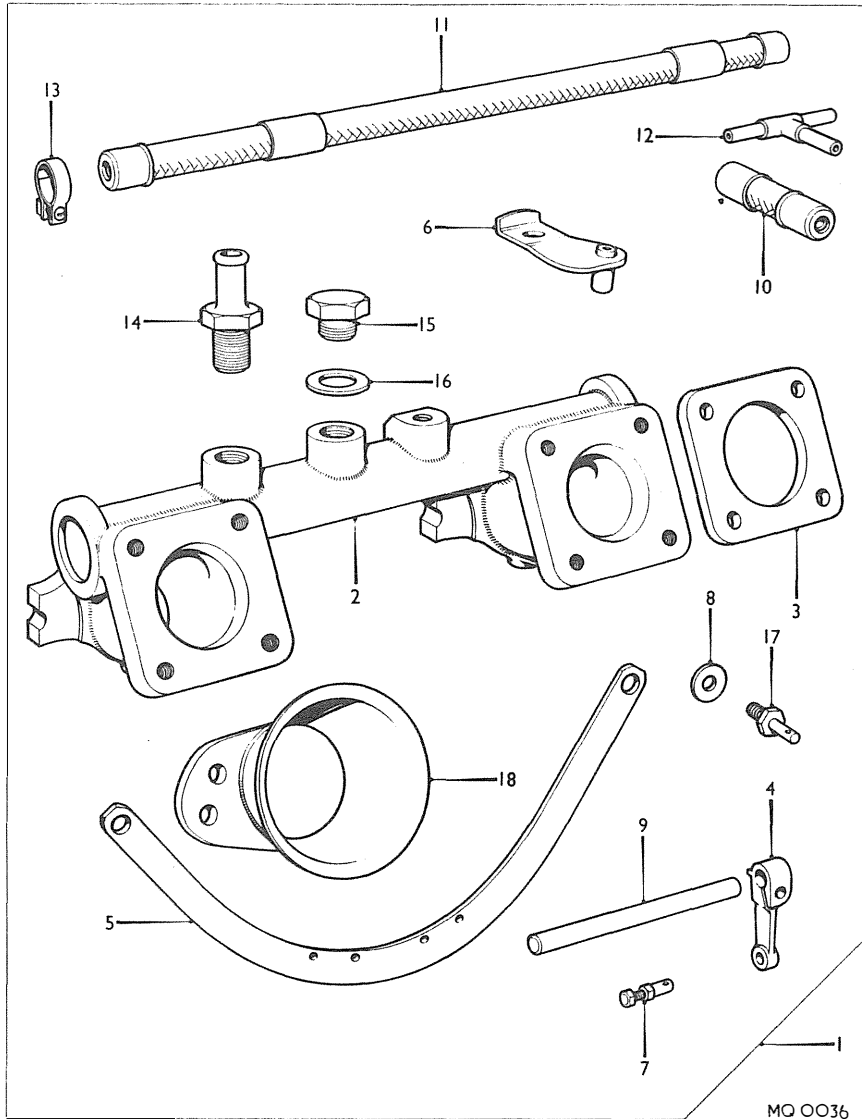
NOTE:
All parts listed with the remark C-MG are Competition parts and must be ordered direct from British Leyland Special Tuning Dept., Abingdon-on-Thames, Berkshire.

III. No. | Part No. | ||||| DESCRIPTION | Qty. | Change Point | REMARKS

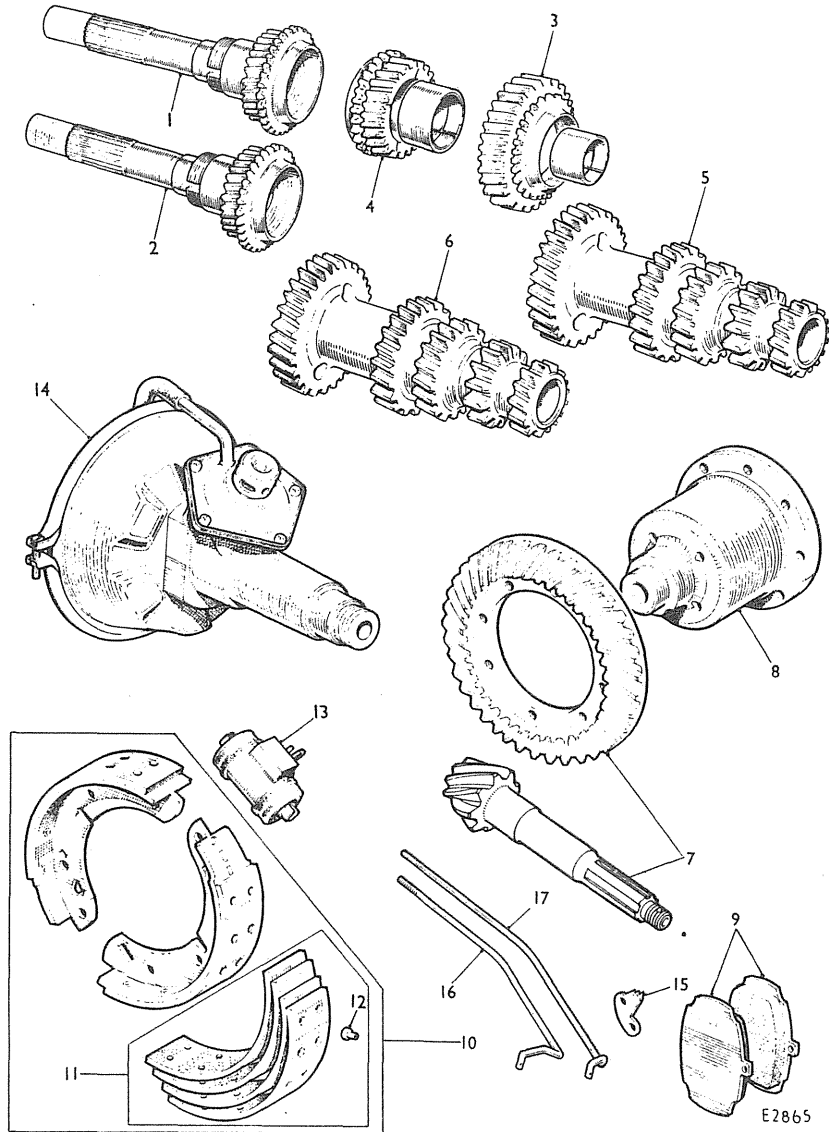
SPECIAL TUNING-INSTALLATION KIT FOR 2" HS8 CARBURETTOR

1	AJJ 3374	KIT-INSTALLATION-2"SU			
		CARBURETTOR-TWIN.....	1		C-MG
2	12H 2838	Inlet manifold.....	1		
	CHS 2513	Stud.....	8		
3	AHT 178	Gasket-carburettor.....	2		C-MG
	AJD 7732	Washer-spring-double coil.....	8		
	PWZ 105	Washer-plain.....	6		
	FNZ 105	Nut.....	8		
4	AUC 1196	Lever.....	NLA		
5	AHT 362	Bracket-anchor-throttle			
		return.....	1		C-MG
6	AEG 349	Throttle bracket.....	1		
	SH 505061	Screw.....	1		
	LWZ 205	Washer-spring.....	1		
7	ACC 5062	Trunnion.....	1		
8	AEH 810	Washer-copper.....	1		
	PWZ 203	Washer-plain.....	1		
	FNZ 104	Nut.....	1		
9	AHT 291	Throttle rod-shorten to 4".....	1		C-MG
	53K 128	Bolt.....	1		
	LWZ 203	Washer-spring.....	1		
	FNZ 103	Nut.....	1		
10	BRT 2404	Pipe-petrol.....	1		
11	12H 722	Pipe-petrol.....	1		
12	12H 889	T-piece.....	1		
13	ACH 5854	Clips.....	5		
14	12H 1405	Adaptor.....	1		
	51K 3811	Washer.....	1		
15	AHH 8414	Plug.....	1		
16	1B 3664	Washer-fibre.....	1		
17	AHA 6367	Trunnion-choke.....	1		
	53K 3503	Screw.....	1		
18	AHT 145	Flare-pipe.....	2		C-MG
	HZS 510	Screw.....	4		
	PWZ 105	Washer-plain.....	4		
	LNZ 105	Locknut.....	4		

NOTE: All parts listed with the Remark C-MG are Competition parts and must be ordered direct from British Leyland Special Tuning Dept., Abingdon-on-Thames,Berkshire.



MO 0036



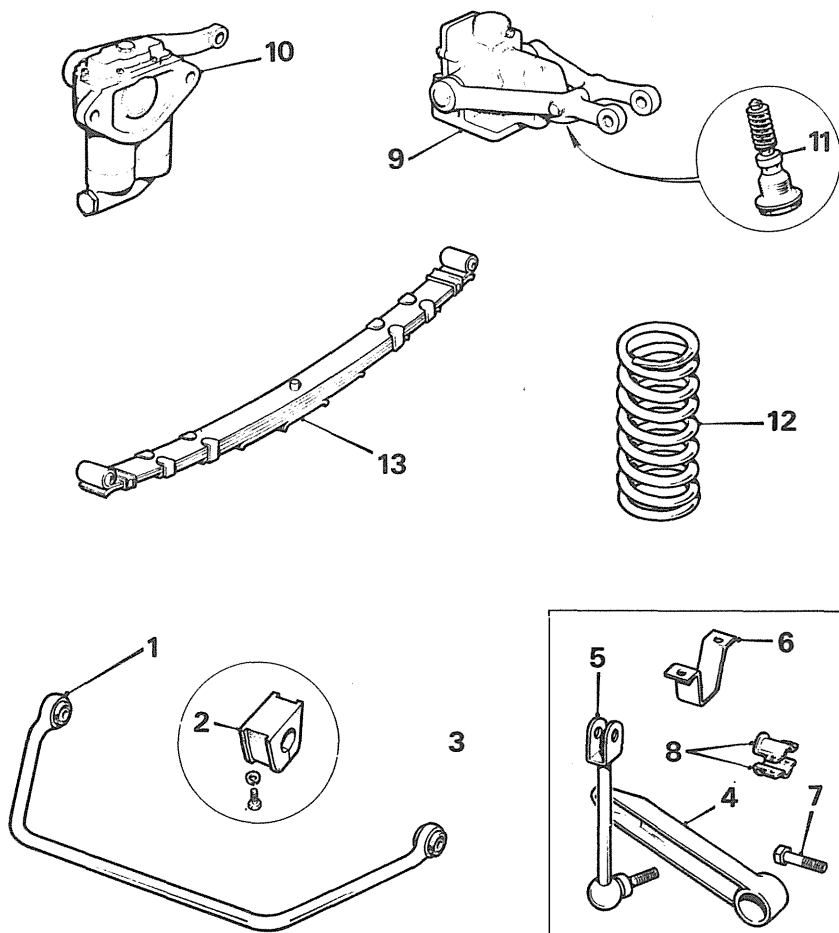
Ill. No.	Part No.	DESCRIPTION	Qty.	Change Point	REMARKS
SPECIAL TUNING-GEARBOX,DIFFERENTIAL AND BRAKES					
1	22H 472	Shaft-1st motion.....	1	(E)18G and 18GA	C-MG.Use with 3-SPEED SYNCHROMESH GEARBOX ONLY. Close ratio.
2	22H 846	Shaft-1st motion.....	1	(E)18GB	
3	22H 1094	Gear-2nd speed.....	1		
4	1H 3300	Gear-3rd speed.....	1		
5	1H 3298	Laygear-small diameter.....	1		
6	22H 932	Laygear-large diameter.....	1		
CROWN WHEEL AND PINION					
7	88G 283	4.3 : 1 ratio 10/43.....	1		Banjo type axle
7	88G 284	4.55 : 1 ratio 9/41.....	1		
7	BTB 975	4.22 : 1 ratio 9/38.....	1		C-MG.Tubed type AXLE.
7	ATB 7240	4.1 : 1 ratio 10/41.....	1		
7	BTB 966	4.55 : 1 ratio 9/41.....	1		Use with DIFFERENTIAL cage BTB 840 or limited slip differential, C-MG.BTB 776- tubed type axle. Tubed type axle.
7	BTB 900	3.07 : 1 ratio 14/43.....	1		
7	BTB 841	3.307 : 1 ratio 13/43.....	1		
7	BTB 856	3.909 : 1 ratio 11/43.....	1		C-MG.Tubed type AXLE.
8	BTB 777	Differential-limited slip.....	1		
8	BTB 776	Differential-limited slip.....	1		C-MG
9	8G 8834	Pad-brake-DS11.....	1		
10	8G 8828	SHOE ASSEMBLY-BRAKE-REAR.....	2		C-MG
11	8G 8829	Lining-brake shoe.....	1SET		
13	GWC 1101	Cylinder-wheel-rear brake.625".....	2		C-MG C-MG.Early cars. C-MG.Late cars.
14	8G 8732	Kit-brake servo.....	1		
15	AHN 7223	Pawl-hand-brake-fly-off type.....	1		
16	AHN 7222	Rod-handbrake-fly-off type.....	1		
17	AHC 551	Rod-handbrake-fly-off type.....	1		

NOTE: All parts listed with the Remark C-MG are Competition parts and must be ordered direct from British Leyland Special Tuning Dept., Abingdon-on-Thames,Berkshire.

Ill. No.	Part No.	DESCRIPTION	Qty.	Change Point	REMARKS
----------	----------	-------------	------	--------------	---------

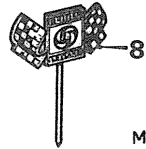
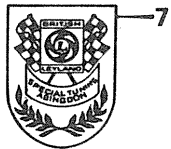
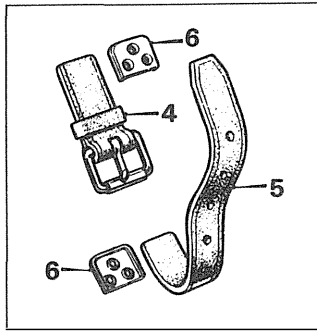
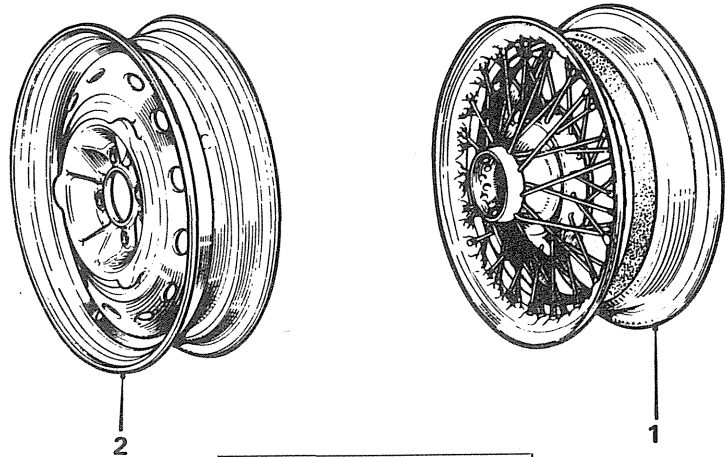
SPECIAL TUNING-SUSPENSION

1	AHH 7329	Bar-anti-roll 14.3mm(.531")	1]Standard on]LATE Tourer.
2	AHH 6541	Bearing	2		
1	AHH 7593	Bar-anti-roll-stiff 15.8mm (.625")	1		C-MG.Standard-GT.
2	1B 4526	Bearing-rubber	2]C-MG
	HZS 505	Screw	4		
	WL 600051	Washer-spring	4		
1	AHH 7924	Bar-anti-roll-competition 19.1mm(.75")	1		
2	AHH 7927	Bearing-rubber	2]C-MG.Was AJJ 3306
	HZS 505	Screw	4		
	WL 600051	Washer-spring	4		
	PMZ 308	Screw	4		
	FNZ 103	Nut	4]C-MG.Was AJJ 3306
	LWZ 203	Washer-spring	4		
3	NLA	Kit-installation-anti-roll bar	1		
4	AHH 5927	Wishbone assembly-bottom-RH	1]C-MG
	AHH 5929	Wishbone assembly-bottom-LH	1		
5	AHH 6543	Link-anti-roll bar-RH	1		
	AHH 6544	Link-anti-roll bar-LH	1		
6	1B 7356	Bearing-strap	2]C-MG
7	AHC 146	Bolt-clamping	2		
	LWZ 207	Washer-spring	2		
	WL 600051	Washer-spring	4		
	HZS 505	Screw	4]Not used with]ANTI-ROLL BAR]AHH 7924.C-MG.
	FNZ 108	Nut	2		
8	LWZ 208	Washer-spring	2		
	AHH 6546	Stop-end locating	4		
	PMZ 308	Screw	4]C-MG
	FNZ 103	Nut	4		
	LWZ 203	Washer-spring	4		
		ABSORBER-SHOCK-COMPETITION]C-MG
9	AHH 7104	Front	2		
10	AHH 7105	Rear-RH	1		
	AHH 7106	Rear-LH	1		
11	AHH 7217	Valve-shock absorber-front	2]C-MG
	AHH 7218	Valve-shock absorber-rear	2		
		SPRING-COIL-FRONT			
12	AHH 6451	348lb/in	2		
12	AHH 5789	480lb/in	2]C-MG
12	AHT 21	480lb/in lowered	2		
		SPRING-LEAF-REAR]C-MG
13	AHH 7080	93lb/in	2		
13	AHH 6453	99lb/in	2		
13	AHH 8343	100lb/in	2		
13	AHC 31	99lb/in	2]C-MG
13	AHH 7346	124lb/in	2		
13	AHT 20	124lb/in lowered	2		



MQ 0079

NOTE: All parts listed with the Remark C-MG are Competition parts and must be ordered direct from British Leyland Special Tuning Dept., Abingdon-on-Thames, Berkshire.



MGO078

III. No.	Part No.	DESCRIPTION	Qty.	Change Point	REMARKS
----------	----------	-------------	------	--------------	---------

SPECIAL TUNING-ROAD WHEELS,BODYWORK AND LITERATURE

1	AHH 8530	Wheel-wire-14"x5.5" rim(70 spokes)	5		C-MG
2	AHH 8112	Wheel-disc-14"x5" rim	5		
3	AJJ 3381	KIT-BONNET SECURING STRAP	1		
4	AHH 5518	Buckle-half	1		C-MG
5	AHH 5519	Tongue-half	1		
6	AHH 5517	Retainer	2		
	AKD 4034 F	Special tuning-booklet	1		
7	AKD 5125	Emblem-special tuning	1PR		
8	AHT 200	Badge-lapel-special tuning	1		
	AHT 333	Badge-woven-special tuning	1		
		BRITISH LEYLAND-RALLY JACKET			
	AHT 352	Small	1		
	AHT 353	Medium	1		
	AHT 354	Large	1		
	AHT 355	Extra large	1		

NOTE: All parts listed with the Remark C-MG are Competition parts and must be ordered direct from British Leyland Special Tuning Dept., Abingdon-on-Thames,Berkshire.