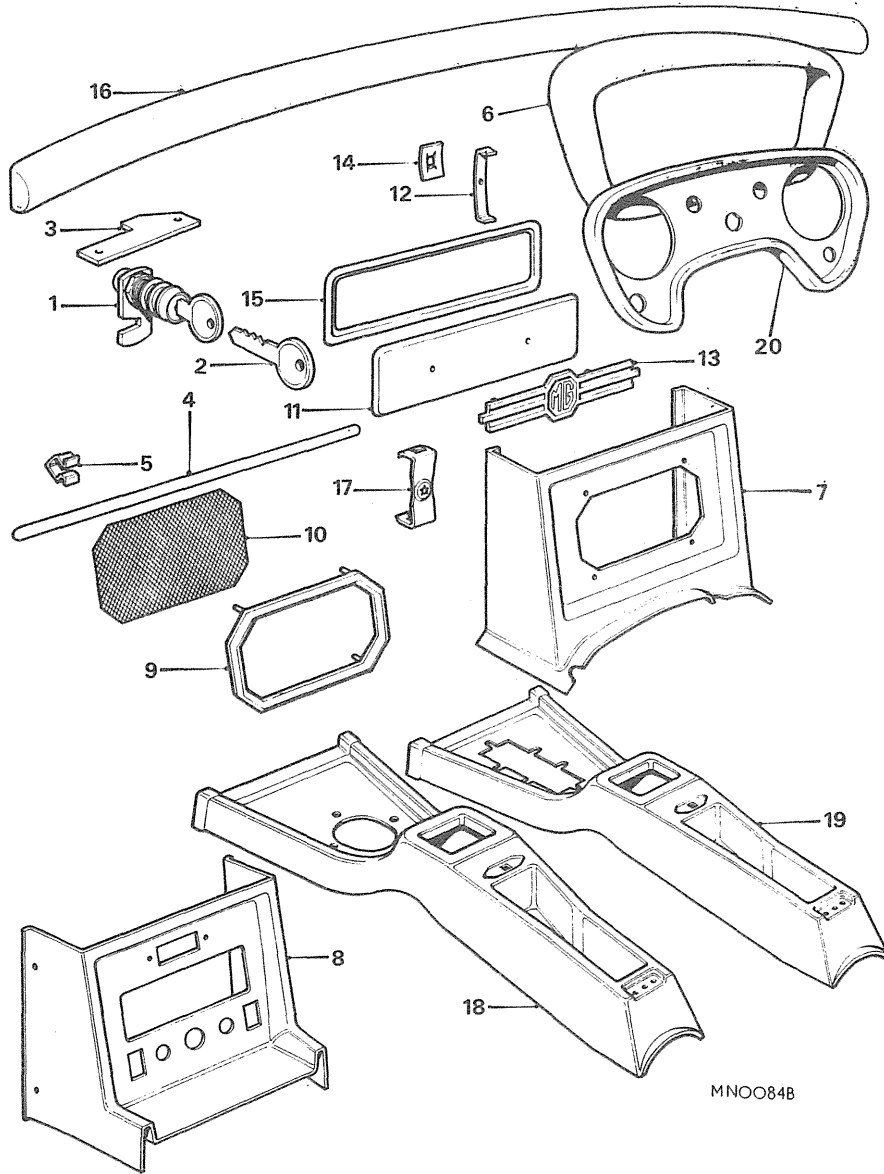
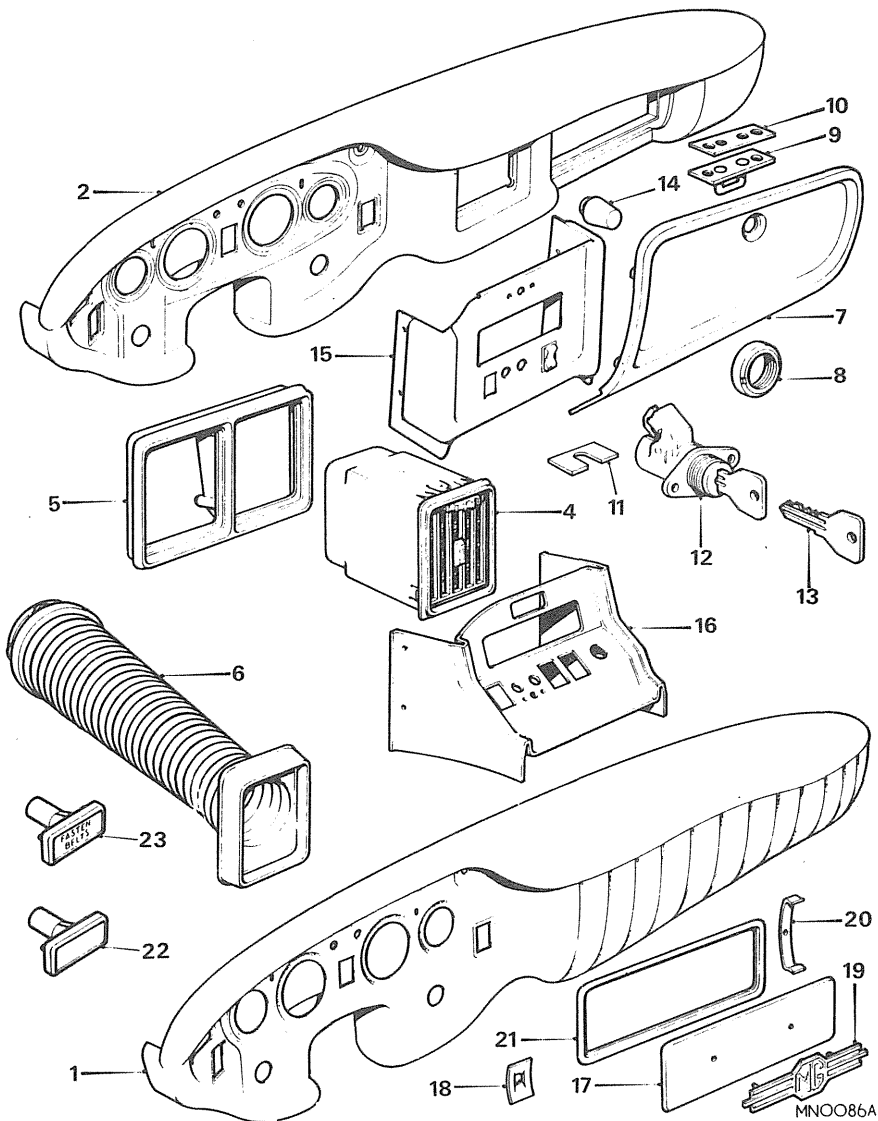


III. No.	Part No.	DESCRIPTION	Qty.	Change Point	REMARKS
----------	----------	-------------	------	--------------	---------

FASCIA-EXCEPT N.AMERICA-(C)G-HN4,G-HD4 ON,SWEDEN-(C)G-HN5,G-HD5 ON,ALL OTHER LHD-(C)G-HN5-360301,G-HD5-361001 ON.					
PANEL-FASCIA					
2	HZA 4072	RHD-EXCEPT V8	1] Use prior to HZA 4916	Was HZA 612. Was HZA 613.
	HZA 4073	LHD	1		
13	HZA 4600	RHD-V8	1		
	HZA 4916	RHD	1		
					(C)G-HN5-360301 ON (C)G-HD5-361001 ON (C)G-D2D1-2101 ON
3	BHH 533	Plug-rocker switch aperture.....	3		
4	HZA 455	Lid-glovebox-RHD	1		
	HZA 454	Lid-glovebox-LHD	1		
5	AHH 6338	Box-glove-RHD	1		
	AHH 6339	Box-glove-LHD	1		
6	HZA 545	Bracket-fascia steady-RHD	NLA		
	HZA 544	Bracket-fascia steady-LHD	NLA		
7	HZA 543	Bracket-glovebox-RHD	NLA		
	HZA 542	Bracket-glovebox-LHD	NLA		
	PJZ 1005	Screw-fascia to cross rail.....	3] (C)G-HN5-360301 ON (C)G-HD5-361001 ON (C)G-D2D1-2101 ON	
	PFS 310	Nut-spring	3		
	PWZ 204	Washer-plain.....	6		
	WL 600041	Washer-spring	6		
	NH 604041	Nut-fascia to shroud panel.....	6		
	PMZ 308	Screw-fascia steady bracket.....	2		
	LWZ 203	Washer-spring	2		
	PWZ 103	Washer-plain.....	2		
	FNZ 105	Nut-fascia to body.....	3		
	WL 600051	Washer-spring	3		
	PWZ 205	Washer-plain.....	1		
8	AHH 6293	Plate.....	NLA		
	PJZ 1004	Screw-fascia to body.....	2		
	WL 600041	Washer-spring	2		
	WA 106041	Washer-plain.....	2		
	PFS 310	Nut-spire	2		
	HZS 404	Screw-fascia to centre reinforcement	2		
	WL 600041	Washer-spring	2		
	HZS 506	Screw-steering column support bracket to cross tube	2		
	WL 600051	Washer-spring	2		
	PWZ 105	Washer-plain.....	4		
	FNZ 105	Nut	2		
	PMZ 305	Screw-glovebox lid to fascia	4		
	LWZ 203	Washer-spring	4		
	FNZ 103	Nut	4		
	PTZ 603	Screw-glovebox to fascia	6		
9	ADA 1869	Nut-spring	NLA		
	FWP 708	Washer-cup	1		
10	AHH 6329	Arm-check-glovebox lid-RHD	1		
	AHH 6330	Arm-check-glovebox lid-LHD.....	1		
	PMZ 206	Screw-arm to lid	1		
	LWZ 202	Washer-spring	1		
11	BHH 501	Vent-face level-RH.....	1] (C)G-HN5,G-HD5- 258001 ON (C)G-D2D1-101 ON	
	BHH 502	Vent-face level-LH.....	1		
12	BHH 609	Tube-vent.....	2		

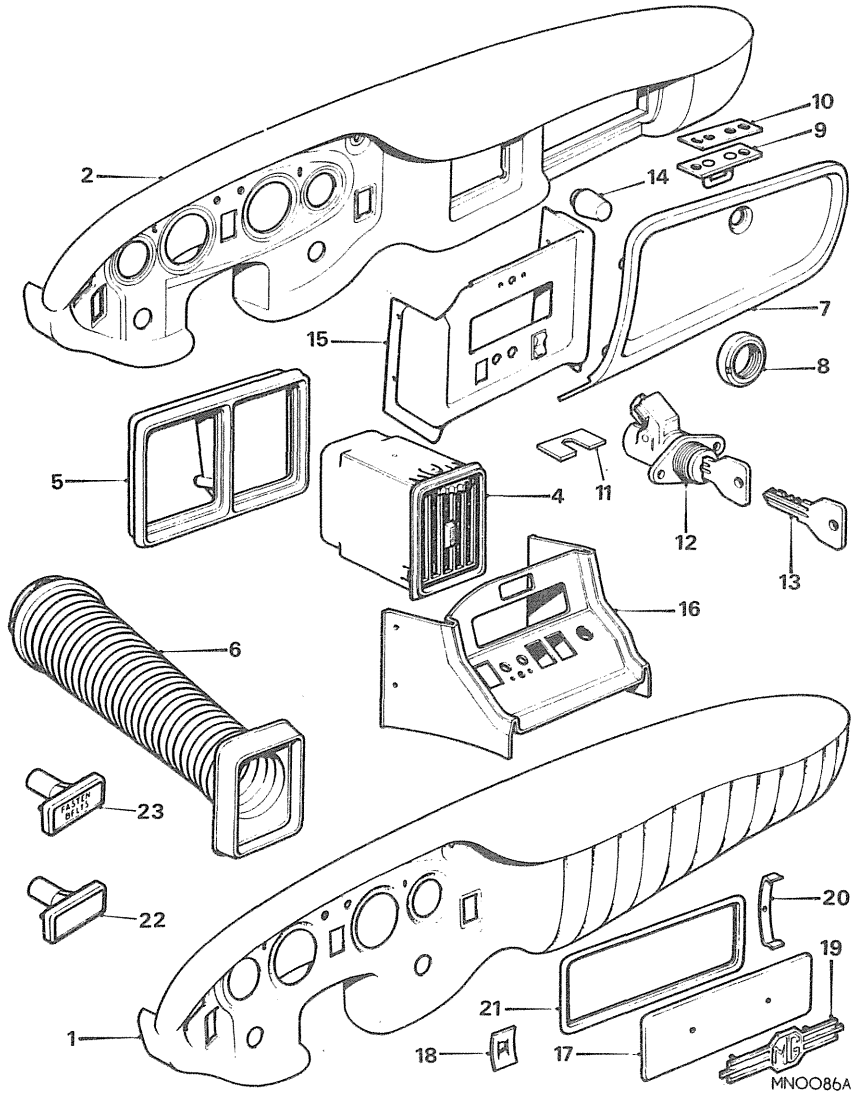


Ill. No.	Part No.	DESCRIPTION	Qty.	Change Point	REMARKS
FASCIA-EXCEPT N-AMERICA-(C)G-HN4,G-HD4 ON,SWEDEN-(C)G-HN5,G-HD5 ON,ALL OTHER LHD-(C)G-HN5-360301,G-HD5-361001 ON-continued.					
1	AHH 6331	Lock-glovebox lid	1		
3	AHH 6291	Catch-lock	1		
	PMZ 204	Screw-catch and buffer	2		
	LWZ 202	Washer-spring	2		
4	BDH 741	Finisher-glovebox lid	1		
5	14B 934	Clip-finisher	4		
6	AHH 6142	Hood-instrument	1		
20	HZA 4708	Binnacle-instrument-RHD	1		Except V8
				(C)G-HN5-360301 ON	
				(C)G-HD5-361001 ON	
				(C)G-D2D1-101 ON	
	PWZ 102	Washer-plain	8		
7	AHH 6169	Console-radio	1		MK1.
7	AHC 13	Console-radio	1		MK2.
8	BHH 473	Console-radio	1		Use prior to BHH 473
	FWP 208	Washer-cup	4		
	PFS 308	Nut-spring	4		(C)G-HN5,G-HD5-258001 ON
9	AHH 6742	Bezel-panel	1		(C)G-D2D1-101 ON
	FWP 208	Washer-cup	4		
	PFS 308	Nut-spring	4		
	CNZ 102	Nut-bezel to panel	4		
	LWZ 202	Washer-spring	4		
10	AHH 6753	Grille-radio speaker	1		
11	ARR 59	Plate-blanking-radio aperture	1		
12	AHH 5256	Clip-plate to fascia	2		
12	BHH 364	Clip-fascia	2		Use prior to BHH 364
					(C)G-HN5,G-HD5-219001 ON
					(C)G-D2D1-101 ON
13	AHH 5258	Motif-'MG'	1		
14	ADB 509	Nut-spire	2		
15	AHH 5255	Bezel-radio aperture	1		
16	AKE 5155	Roll-crash-Black	1		(B)13473 TO
16	BHH 947	Roll-crash-Black \$	1		(C)G-HN5-294250
					(C)G-HD5-296000
					(C)G-HN5-294251 ON
					(C)G-HD5-296001 ON
					(C)G-D2D1-101 ON
	FNZ 103	Nut-crash roll	8		
	LWZ 203	Washer-spring	8		
	PWZ 103	Washer-plain	8		
	PFR 108	Push-on fix plug	1		
17	BHA 5102	Clip-radio aperture blanking panel	2		(C)G-HN5,G-HD5-258001 ON
18	BHH 467	Console-tunnel-manual \$	1		
19	BHH 468	Console-tunnel-automatic \$	1		(C)G-D2D1-101 ON

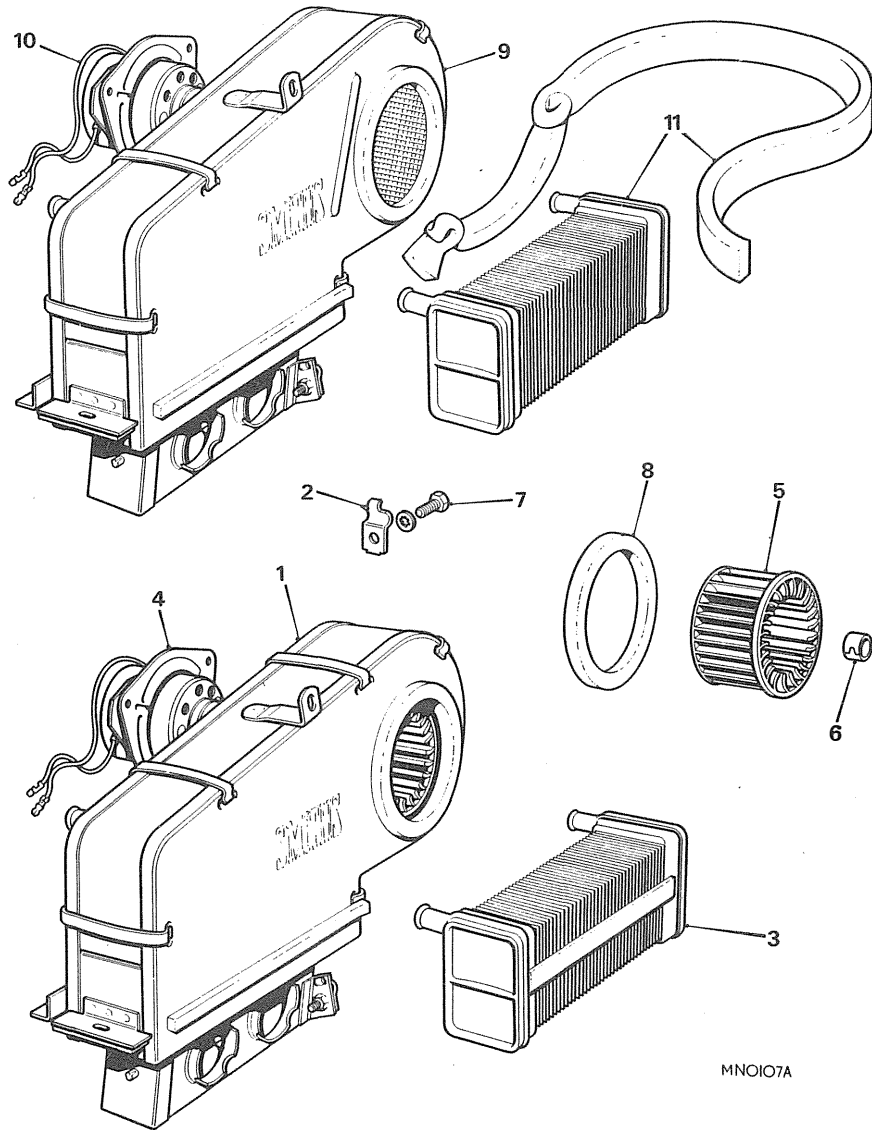


III. No.	Part No.	DESCRIPTION	Qty.	Change Point	REMARKS
<p>FASCIA-N.AMERICA FROM (C)G-HN4,G-HD4,SWEDEN FROM (C)G-HN5,G-HD5, ALL OTHER LHD FROM (C)G-HN5-360301,G-HD5-361001.</p>					
1	AHH 8924	Panel-fascia \$.....	1		Use prior to BHH 475
2	BHH 907	Panel-fascia \$.....	1		(C)G-HN5-258001 TO 294250 Was BHH 475 (C)G-HD5-258001 TO 296000
2	BHH 944	Panel-fascia \$.....	1		(C)G-HN5-294251 ON (C)G-HD5-296001 ON
	HZA 5025	Badge-anniversary-fascia panel.....	1		
4	BHH 501	Vent-face level-RH.....	1		
	BHH 502	Vent-face level-LH.....	1		
5	BHH 503	Escutcheon-vents.....	2		
6	BHH 613	Tube-vents.....	2		
	AB 610061	Screw-vents.....	2		
	LWZ 403	Washer-lock.....	2		(C)G-HN5,G-HD5-258001 ON
	PWZ 203	Washer-plain.....	2		
14	14G 9467	Buffer-glovebox.....	2		
	BHH 493	Glovebox \$.....	1		
7	BHH 494	Lid-glovebox-outer.....	1		
8	CZK 3555	Bezel-lid.....	1		
	PJZ 1003	Screw-lid.....	4		
9	BHH 619	Striker-lid.....	1		(C)G-HN5-G-HD5-258001 TO 266522
12	BHH 623	Lock-glovebox.....	1		(C)G-HN5,G-HD5-266523 ON
	CZK 3795	Lock-glovebox.....	NLA		Use CZK 3970
	CZK 3970	Lock-glovebox.....	1		
	BHH 769	Striker-glovebox lock.....	1		

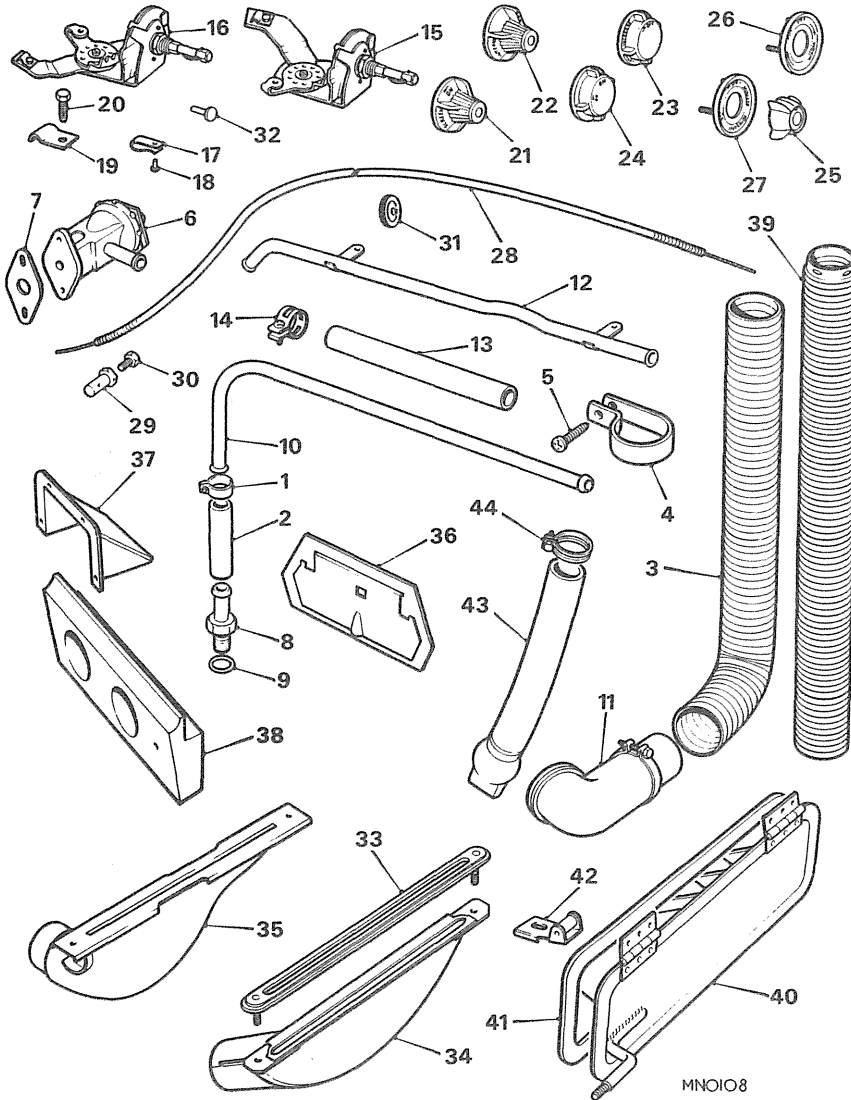
\$ This item is subject to safety regulations.



Ill. No.	Part No.	DESCRIPTION	Qty.	Change Point	REMARKS
FASCIA-N.AMERICA FROM (C)G-HN4,G-HD4,SWEDEN FROM (C)G-HN5,G-HD5, ALL OTHER LHD FROM (C)G-HN5-360301,G-HD5-361001-continued					
10	BHH 607	Shim-striker.....NLA	1	(C)G-HN5-258001 TO 294250 (C)G-HD5-258001 TO 296000	Use CZK 3737
10	CZK 3737	Shim-striker-glovebox lock.....1	1] (C)G-HN5-294251 ON (C)G-HD5-296001 ON	
11	BHH 768	Shim-hinge-glovebox lid \$.....1	1		
	PWZ 204	Washer-plain-fascia fixing.....6	6		
	LWZ 204	Washer-spring.....6	6		
	FNZ 104	Nut.....6	6		
	PFS 310	Nut-spire.....3	3		
	PJZ 1004	Screw-fascia to cross rail.....3	3		
15	AHH 8737	Console-radio \$.....1	1	Use prior to BHH 300 (C)G-HN5,G-HD5- 219001 TO 258000 (C)G-HN5,G-HD5- 258001 ON	
15	BHH 300	Console-radio \$.....1	1		
16	BHH 697	Console-radio.....1	1		
	FWP 208	Washer-cup.....4	4		
	PFS 308	Nut-spring.....4	4		
17	ARH 59	Plate-blanking-radio aperture.....1	1		
18	ADB 509	Nut-spire.....2	2		
19	AHH 5258	Badge-'MG'.....1	1		
20	BHH 364	Clip-badge.....1	1		
21	AHH 5255	Bezel-radio aperture.....1	1		
22	BHA 5148	Blank-seat belt warning light in console.....1	1		
23	13H 7986	Light-warning-fasten belts.....1	1	(C)G-HN5-267580 ON (C)G-HD5-268281 ON	N.America
	BHH 467	Console-tunnel \$.....1	1		



Ill. No.	Part No.	DESCRIPTION	Qty.	Change Point	REMARKS
HEATER.					
	BHA 4325	HEATER ASSEMBLY.....	NLA		MK1.
2	27H 1193	Clamp-cable.....	1		
	LWZ 403	Washer-shakeproof.....	1		
	AB 606021	Screw-duct.....	4		
3	17H 2287	Radiator.....	NLA		
4	17H 2288	Motor and mounting plate.....	1		
	PWZ 203	Washer-plain.....	3		
	WL 700101	Washer-spring.....	3		
5	17H 1801	RUNNER.....	1		
6	27H 602	Nut-collet.....	NLA		
1	BHA 4743	HEATER ASSEMBLY \$.....	NLA		
4	37H 4707	Motor and mounting plate \$.....	1		
5	37H 2787	ROTOR ASSEMBLY.....	NLA	(C)G-HN4-138401 TO	
6	17H 6836	Clip.....	1	187210	
2	27H 1193	Clamp-cable.....	1	(C)G-HD4-138401 TO	
7	53K 126	Screw-clamp.....	1	187840	
	LWZ 403	Washer-shakeproof.....	1	(C)G-HN5-187211	
11	37H 7914	Radiator and seals.....	1	TO 303703	
8	17H 3714	Seal-intake.....	NLA	(C)G-HD5-187841	
	AB 606021	Screw-duct.....	4	TO 303703	
	WL 700101	Washer-spring.....	3		
9	BHH 1010	HEATER ASSEMBLY.....	1		(C)G-HN5-G-HD5-303704 ON (C)G-D2D1-101 ON
10	37H 7913	Motor and mounting plate.....	1		
11	37H 7914	Radiator and seals.....	1		
	AB 610051	Screw.....	3		
	AB 606021	Screw-duct.....	4		
	PMZ 310	Screw.....	4		
	PWZ 103	Washer-plain.....	4		
	WL 700101	Washer-spring.....	4		
	PMZ 410	Screw.....	1		
	WA 106041	Washer-plain.....	1		
	WL 600041	Washer-spring.....	1		

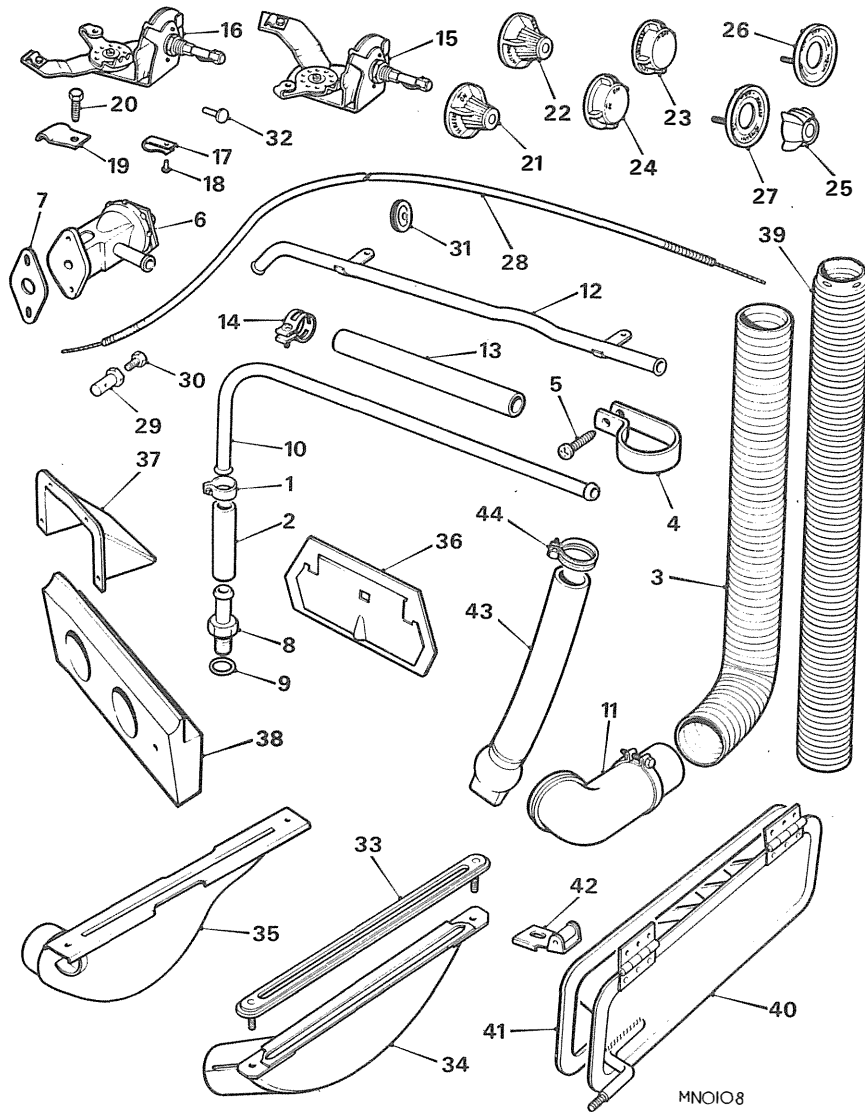


Ill. No.	Part No.	DESCRIPTION	Qty.	Change Point	REMARKS
HEATER-continued.					
1	GHC 406	Clip-hose.....	A/R] Except V8.
2	AHH 8761	Hose-water-(.5"x12.7mm).....	1		
	BHH 1694	Hose-water.....	1] N.America.
	BHH 1685	Pipe-water-heater pipe to bottom radiator hose.....	1	(C)G-HN5-368082 ON	
	WL 600041	Washer-spring.....	1		
	NH 604041	Nut-pipe.....	1		
	GHC 507	Clip-pipe to hose-heater.....	1		
	GHC 709	Clip-pipe to hose-radiator.....	1		
3	AHH 8394	Hose-air-demister.....	2		
3	BMK 1952	Hose-heater and demister.....	1	See(1)/foot of page	
4	AHC 865	Clip.....	2		
5	AD 606064	Screw-demister hose clip.....	1		
	FWP 906	Washer-cup.....	1		
6	BHA 4132	Valve-water.....	NLA] Use BHA 5298 Except V8.
6	BHA 5298	Valve-water \$.....	1	Use prior to BHA 5298 (C)G-HN5-360301 ON (C)G-HD5-361001 ON (C)G-D2D1-101 TO 2145 (C)G-D2D1-2146 ON	
	BHA 5229	Valve-water.....	1		
	BHA 5297	Valve-water \$.....	1] V8.
7	12H 3868	Gasket-valve.....	1		
	SH 604061	Screw-valve to engine-19.05mm (.75")long.....	1/2		
	SH 604071	Screw-valve to engine-22.2mm (.875")long.....	1] V8.
8	AMK 8847	Union-water.....	1		
9	6K 638	Washer-union.....	1		
10	AHH 5435	Pipe-water return.....	1] Use AHH 9498. Except V8.
11	14G 3499	Elbow-demister.....	2		
12	AHH 8760	Tube-hose to pump outlet.....	NLA] V8.
12	AHH 9498	Tube-hose to pump outlet.....	1		
13	AHH 9948	Hose-heater to valve.....	1] Use AHH 9498. Except V8.
	BHH 1083	Hose-heater to heater tube.....	1		
	BHH 1082	Hose-heater to valve.....	1		
14	AHC 190	Clip-tube.....	NLA] Use AHH 9498. Except V8.
14	GHC 507	Clip-tube.....	4		
	WA 108051	Washer-plain.....	2		
	WL 600051	Washer-spring.....	2		
	NH 605041	Nut.....	2] Use AHH 9498. Except V8.

CHANGE POINTS

(1) (C)G-HN4-138401 USA,153878 Canada to 187210 G-HD4-139472 USA,154231 Canada to 187840,(C)G-HN5-187211 TO 219000 N.America,Sweden, Germany and Norway.
 (C)G-HD5-187841 TO 219000 N.America,Sweden,Germany and Norway.

\$ This item is subject to safety regulations

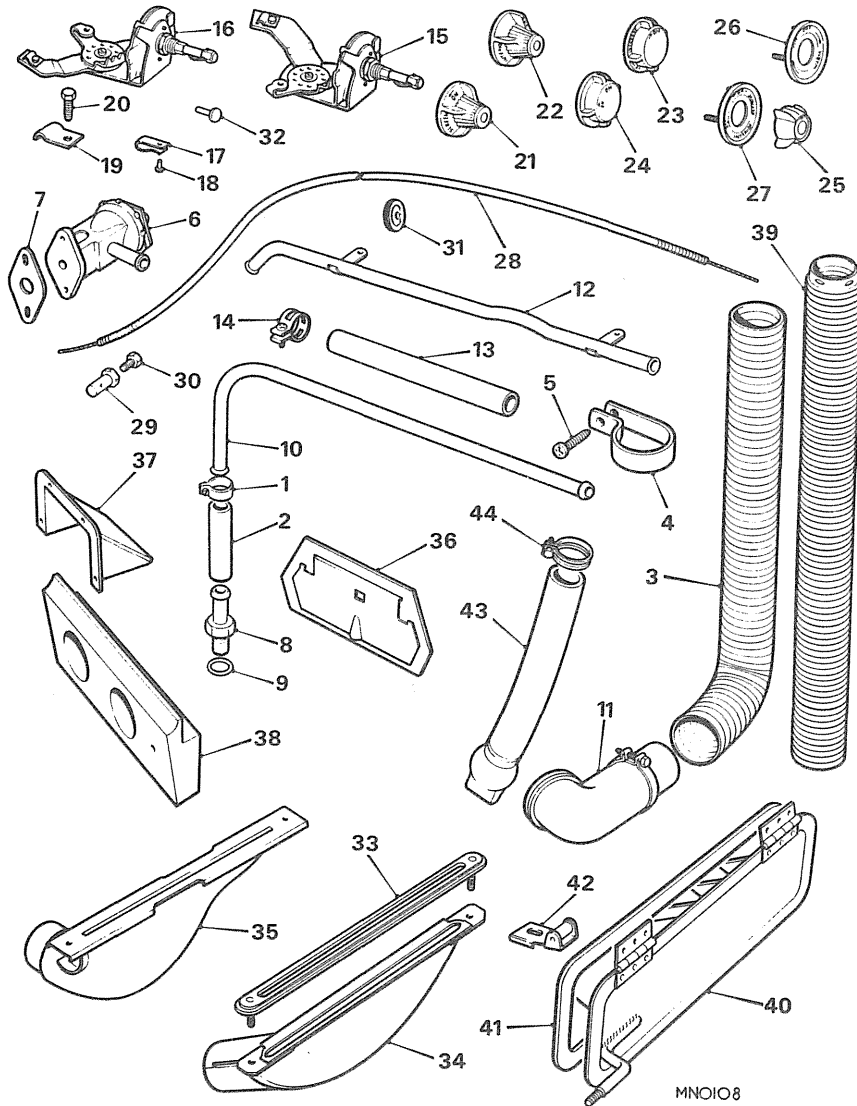


Ill. No.	Part No.	DESCRIPTION	Qty.	Change Point	REMARKS
HEATER-continued.					
CONTROL ASSEMBLY-ROTARY					
15	BHA 4326	Heat.....	1	Use prior to BHA 5226 (C)G-HN5-360301 ON (C)G-HD5-361001 ON (C)G-D2D1-101 ON	RHD.
15	BHA 5226	Heat.....	1		
15	BHA 4327	Air.....	1		
16	BHA 4332	Heat.....	1	Use prior to BHA 4767 AND BHH 297. Prior to(2)below. See(2)foot of page.	LHD.
16	BHA 4333	Air.....	1		
15	BHA 4767	Heat.....	1		
15	BHH 297	Air.....	1	(C)G-HN5-219001 TO 294250 (C)G-HD5-219001 TO 296000 (C)G-HN5-294251 ON (C)G-HD5-296001 ON	
15	BHH 296	Heat.....	1		
15	BHH 297	Air.....	1		
15	BHA 4767	Heat.....	1		
15	BHA 5011	Air.....	1		
17	17H 1601	Clip-knob.....	1		
18	17H 1603	Pin-knob.....	1		
19	27H 1193	Clamp-cable.....	1		
20	53K 126	Screw-clamp.....	1		
	LWZ 403	Washer-shakeproof.....	1		
KNOB-CONTROL					
21	BHA 4328	Heat.....	1	Use prior to BHH 1687 and BHH 1688. (C)G-HN5-360301 ON (C)G-HD5-361001 ON (C)G-D2D1-2101 ON	RHD-Except V8.
21	BHA 4334	Heat.....	1		
22	BHH 738	Air.....	1		
	BHH 1687	Heat.....	1	See(1)foot of page	RHD.
	BHH 1688	Air.....	1		
21	BHA 4334	Heat.....	1	See(2)foot of page	LHD.
22	BHH 739	Air.....	1		
23	BHA 4672	Heat \$.....	NLA		
24	BHA 4673	Air \$.....	1	(C)G-HN5-219001 TO 294250 (C)G-HD5-219001 TO 296000 (C)G-HN5-294251 ON (C)G-HD5-296001 ON	
23	BHA 4328	Heat.....	1		
24	BHH 738	Air.....	1		
25	BHH 1012	Knob-rotary control.....	2		
26	BHH 893	Dial-illuminated-heat.....	1		
27	BHH 892	Dial-illuminated-air.....	1		

CHANGE POINTS

(1)(C)G-HN3,G-HD3-101 TO 138400,(C)G-HN4-138401 TO 187210 except Canada. (C)G-HN4-138401 TO 153877 Canada, (C)G-HD4-139472 TO 187840 except Canada (C)G-HD4-139472 TO 154230 Canada,(C)G-HN5-187211 TO 360300, (C)G-HD5-187841 TO 361000.
 (2)(C)G-HN4-138401 USA,153878 Canada TO 187210,(C)G-HD4-139472 USA,154231 Canada TO 187840,(C)G-HN5-187211 TO 219000 N.America,Sweden,Germany and Norway,(C)G-HD5-187841 TO 219000 N.America,Sweden,Germany and Norway.

\$ This item is subject to safety regulations



Ill. No.	Part No.	DESCRIPTION	Qty.	Change Point	REMARKS
----------	----------	-------------	------	--------------	---------

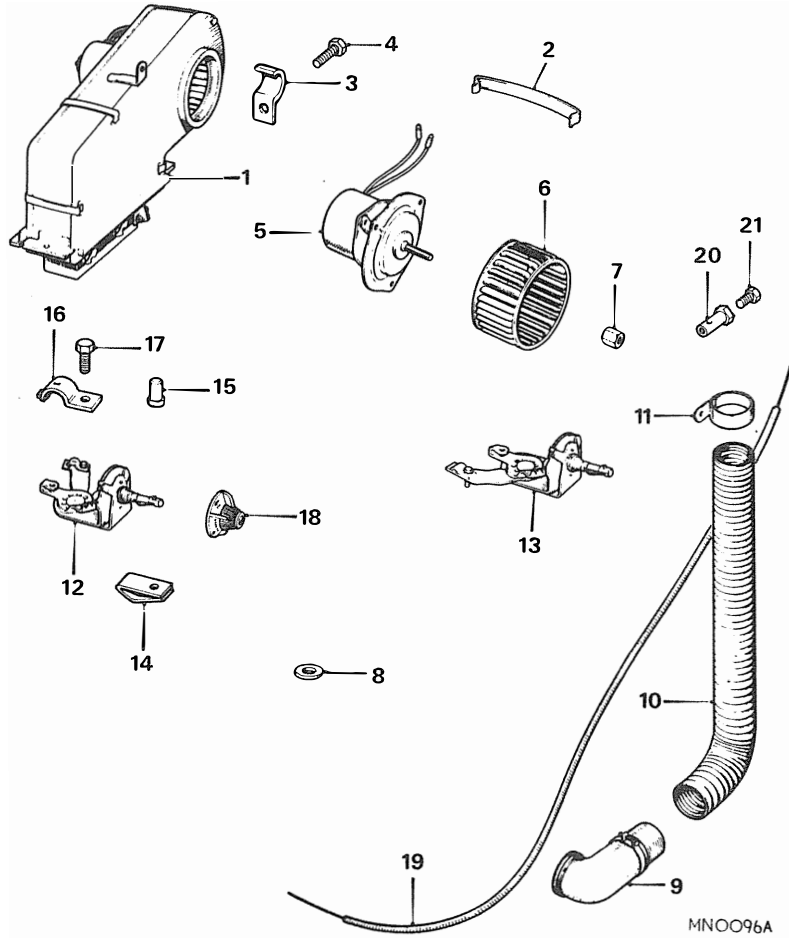
HEATER-continued.

CABLE-CONTROL					
28	BHH 678	Heat \$.....	1] Use prior to BHH 679 (C)G-HN5-322014 TO 372616 (C)G-HD5-322014 TO 373332] Use BHA 5407 LHD.
28	BHA 4337	Heat \$.....	1		
28	BHH 679	Heat \$.....	NLA		
28	AHC 185	Air \$.....	1] Use prior to BHH 1229 (C)G-HN5,G-HD5-258001 TO 303703] Use BHA 5407 RHD.
28	BHH 1229	Air \$.....	1		
28	BHH 679	Heat \$.....	NLA] Use prior to BHA 5407 BHH 1230 (C)G-HN5-372617 ON (C)G-HD5-373333 ON (C)G-D2D1-2292 ON (C)G-HN5,G-HD5-303704 ON (C)G-D2D1-101 ON] Use BHA 5407 RHD.
28	BHA 4337	Air \$.....	1		
28	BHA 5407	Heat \$.....	1		
28	BHH 1230	Air \$.....	1		
	GRH 1001 M	Sleeve-heat control cable.....	A/R		Supplied in 30 metre rolls.
29	24G 1482	Trunnion.....	4		
30	53K 1016	Screw-trunnion.....	4		
31	RFR 503	Grommet-heat control cable.....	1		
32	AHH 8971 WA 704061	Rivet-heater control.....	NLA] See(2)foot of page.	
33	AHH 6190	Washer-plain.....	2		
33	AHH 8566	Escutcheon-demister.....	2] See(1)foot of page	
34	AHH 8743	Escutcheon-demister.....	2		
34	AHH 8744	Nozzle-demister-RH \$.....	1] See(2)foot of page	
35	HZA 547	Nozzle-demister-LH \$.....	1		
35	HZA 546	Nozzle-demister-RH.....	NLA] See(1)foot of page.	
36	13H 59	Nozzle-demister-LH.....	NLA		
37	BHH 391	Door-heater outlet.....	NLA		
38	BHH 389	Outlet-heater.....	2		
38	BHH 389	Seal-heater cover.....	1		
39	BHH 390	Hose-heater.....	2		
40	AB 606031	Screw.....	8		
40	HZA 3924	Door-fresh-air vent.....	1		
41	AB 606031	Screw.....	4		
41	AHH 6166	Seal-door.....	1		
42	AHH 6192	Spring-fresh-air vent door.....	1		
43	HZS 405	Screw.....	1		
43	WL 600041	Washer-spring.....	1		
43	WA 106041	Washer-plain.....	1		
43	AHC 321	Tube-drain and dust valve.....	1		
44	GHC 709	Clip.....	1		

CHANGE POINTS

(1)(C)G-HN3,G-HD3-101 TO 138400,(C)G-HN4-138401 TO 187210 except Canada, (C)G-HN4-138401 TO 153877 Canada,(C)G-HD4-139472 TO 187840 except Canada, (C)G-HD4-139472 TO 154230 Canada,(C)G-HN5-187211 TO 360300, (C)G-HD5-187841 TO 361000,(C)G-D2D1-101 TO 2100.
 (2)(C)G-HN4-138401 USA, 153878 Canada TO 187210,(C)G-HD4-139472 USA, 154231 Canada TO 187840,(C)G-HN5-187211 ON N.America,Sweden,Germany and Norway, (C)G-HD5-187841 ON N.America,Sweden,Germany and Norway,(C)G-HN5-360301 ON (C)G-HD5-361001 ON,(C)G-D2D1-2101 ON.

\$ This item is subject to safety regulations.

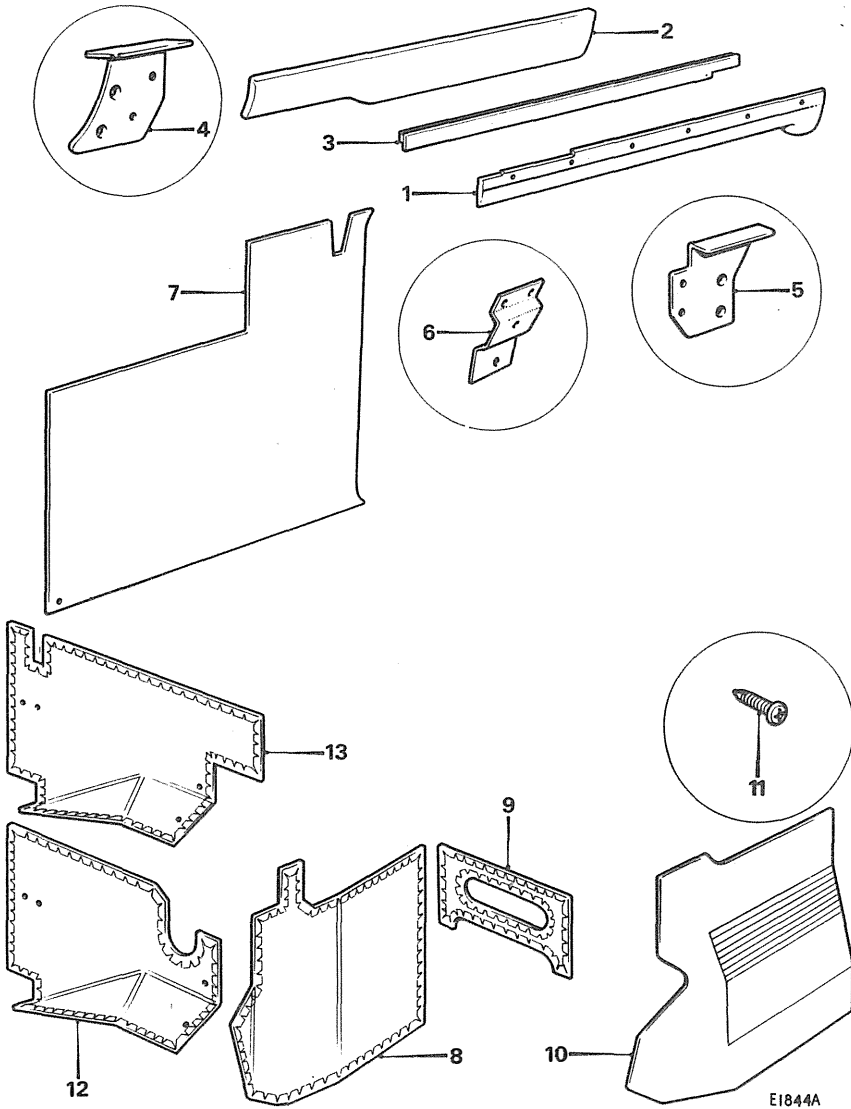


MN0096A

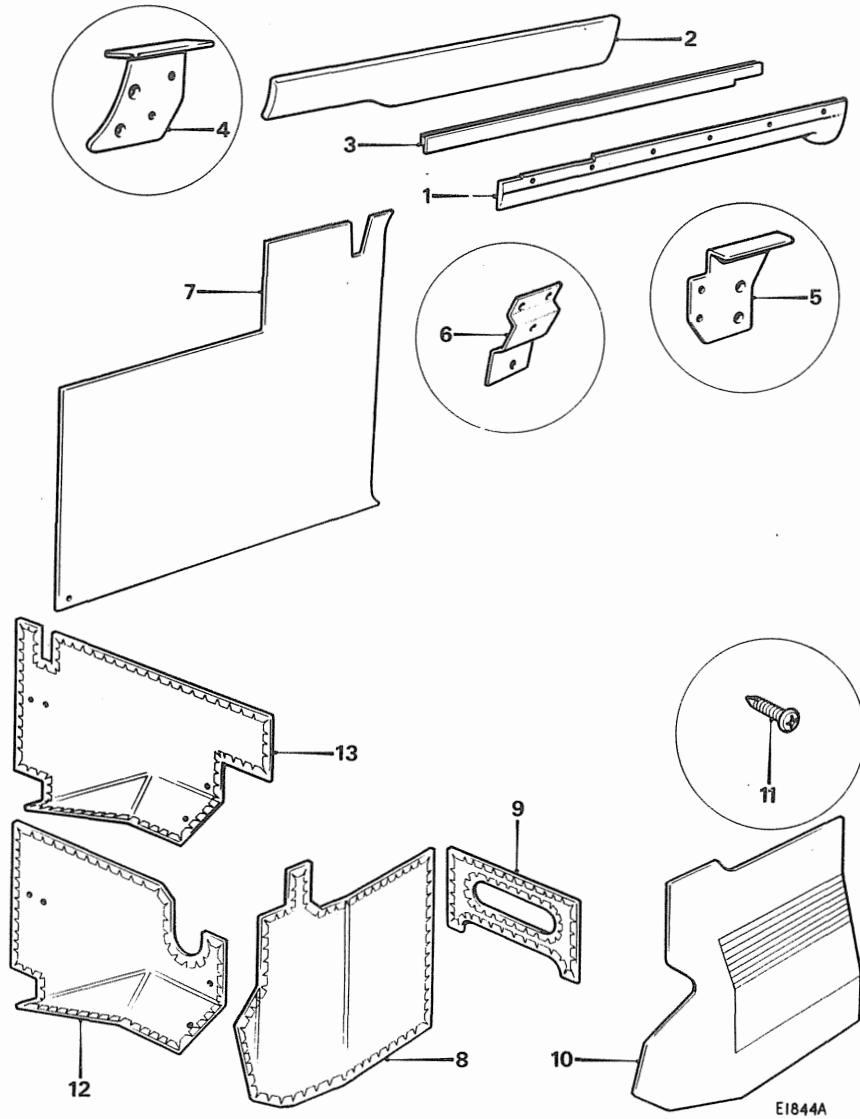
III. No.	Part No.	DESCRIPTION	Qty.	Change Point	REMARKS
----------	----------	-------------	------	--------------	---------

FRESH-AIR UNIT-OPTIONAL EXTRA

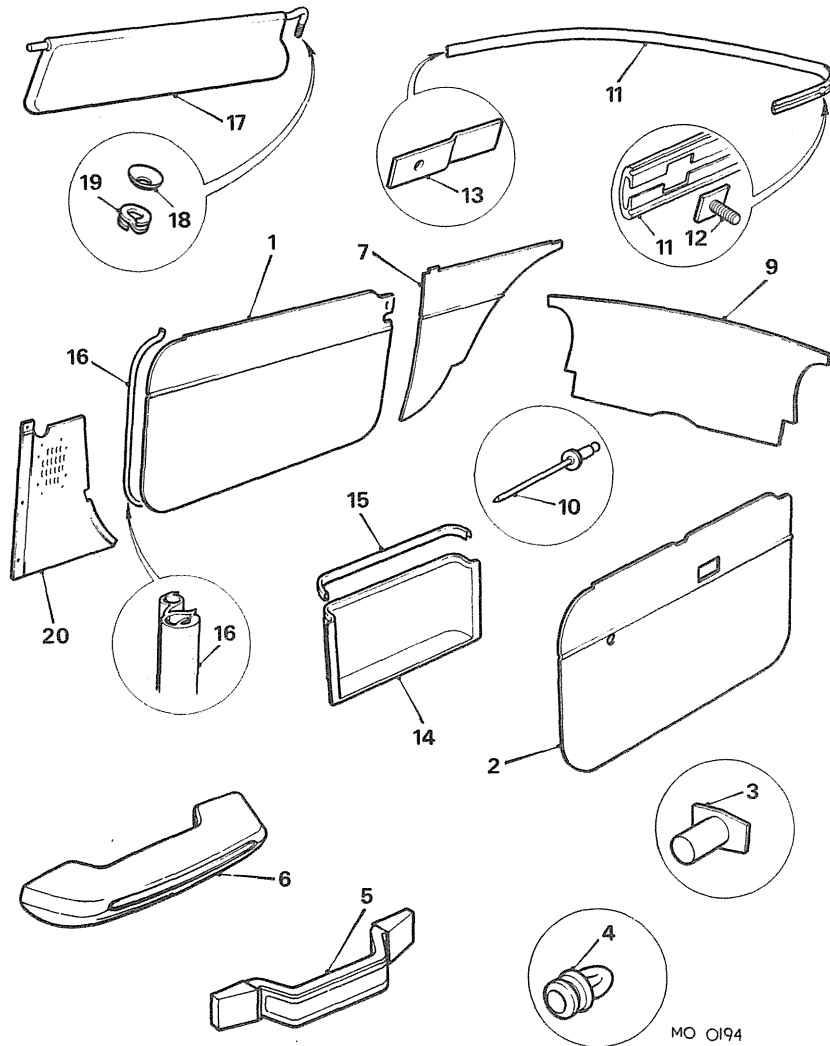
1	BHA 4369	FRESH-AIR UNIT	1	NLA	
2	17H 1595	Clip-cover	1	NLA	
	AB 606021	Screw-duct	4		
3	27H 1193	Clamp-cable	1		
4	7H 6928	Screw-clamp	1	NLA	
	LWZ 403	Washer-shakeproof	1		
5	17H 2288	Motor and mounting plate	1		
	PWZ 203	Washer-plain	3		
	LWZ 303	Washer-spring	3		
6	17H 1801	Runner	1		
7	27H 602	Nut-collet	1	NLA	
	PMZ 310	Screw	4		
	PWZ 103	Washer-plain	3		
	WL 700101	Washer-spring	4		
	PMZ 410	Screw	1		
	WA 106041	Washer-plain	1		
	WL 600041	Washer-spring	1		
9	14G 3499	Elbow-demister	2		
10	AHH 8394	Hose-air	2		
11	AHC 865	Clip-hose	2		
12	BHA 4327	Control-rotary-air-RHD	1		
13	BHA 4333	Control-rotary-air-LHD	1		
14	17H 1601	Clip-knob	1		
15	17H 1603	Pin-knob	1		
16	27H 1193	Clamp-cable	1		
17	53K 126	Screw-clamp	1		
	LWZ 403	Washer-spring	1		
18	BHH 738	Knob-control-RHD	1		
	BHH 739	Knob-control-LHD	1		
19	BHA 4337	Cable-control-RHD \$	1		
	BHH 1229	Cable-control-LHD \$	1		
20	24G 1482	Trunnion	2		
21	53K 1016	Screw-trunnion	2		



III. No.	Part No.	DESCRIPTION	Qty.	Change Point	REMARKS
LINERS-FINISHERS-DOOR SEALS-MAP POCKET-SUN VISOR-TOURER					
CAPPING-WAIST RAIL					
1	AKE 5192	Black-RH	1	(B)MGB-13473 TO 66807	
2	AHH 7561 AHH 7562	Black-RH	1	(B)MGB-66808 TO 110292	
		Black-LH	1	(C)G-HN4-138401 TO 187210	
2	K2A 9902 K2A 9903	Black-RH	1	(C)G-HN5-187211 TO 258000	
		Black-LH	1		
2	K2K 9902 K2K 9903	Autumn Leaf-RH	1		
		Autumn Leaf-LH	1		
2	K2N 9902 K2N 9903	Navy-RH	NLA	(C)G-HN5-258001 TO 294250	Use X2N 2570
		Navy-LH	NLA		Use X2N 2571.
2	X2N 2570 X2N 2571	Navy-RH \$	1	(C)G-HN5-294251 TO(+)	
		Navy-LH \$	1		
2	X2T 2570 X2T 2571	Ochre-RH \$	NLA	(C)G-HN5-(+)TO(+)	Use X2T 3379
		Ochre-LH \$	NLA		Use X2T 3380
2	X2N 3379 X2N 3380	Navy-RH \$	1		
		Navy-LH \$	1	(C)G-HN5-(+) TO 320324	
2	X2T 3379 X2T 3380	Ochre-RH \$	1		
		Ochre-LH \$	1		
2	X2A 3398 X2A 3399	Black-RH \$	1		
		Black-LH \$	1	(C)G-HN5-320325 ON	
2	X2K 3398 X2K 3399	Autumn Leaf-RH \$	1		
		Autumn Leaf-LH \$	1		
3	AHH 6508 AHH 6509	Weatherstrip-inner door-RH \$	1		
		Weatherstrip-inner door-LH \$	1		
Finisher-waist rail					
4	AHH 6422 AHH 6423	Front-RH	1		
		Front-LH	1		
5	AHH 6424 AHH 6425	Rear-RH	1		
		Rear-LH	1		
	CMZ 310 AC 608041	Screw	4		
		Screw	4		
	FNZ 103	Nut	12		
	PWZ 203	Washer-plain	12		
	WL 700101	Washer-spring	12		
6	HZA 230 AB 606051 AB 606021 PTZ 803	Tab-finisher-waist rail	NLA	(B)MGB-13473 TO 66807	
		Screw	4		
		Screw	2		
		Screw	2		
7	NLA RTP 605 FWP 906	LINER-SCUTTLE SIDE-BLACK	NLA		
		Screw-liner	14		
		Washer-cup	14		



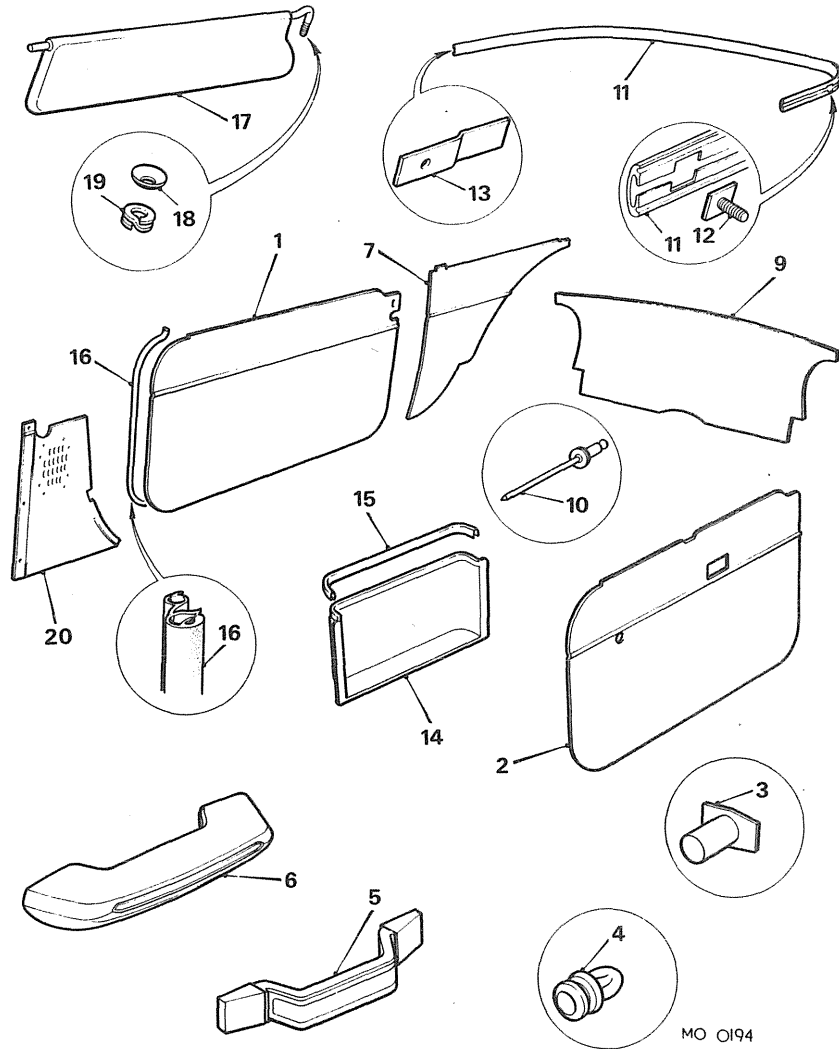
III. No.	Part No.	DESCRIPTION	Qty.	Change Point	REMARKS
LINERS-FINISHERS-DOOR SEALS-MAP POCKET-SUN VISOR-TOURER-continued					
LINER-AIR INTAKE BOX					
9	K2A 906	Centre.....	1] (C)G-HN4-158371 TO 187210 (C)G-HN5-18211 TO 219000	
	AHH 9722	LH-RHD.....	NLA		
10	AHH 9368	LH-LHD.....	NLA		
	RTP 605	Screw-trim pad.....	10		
	FWP 906	Washer-cup.....	10		
11	AHA 8706	Screw-trim pad-LH-LHD.....	3		
LINER-TOE-BOARD					
12	AHH 9716	Black-RH.....	NLA] (C)G-HN4-158371 TO 187210 (C)G-HN5-187211 TO 258000 (C)G-HN4-(+)TO 158370 (C)G-HN4-138401 TO (+)	
	AHH 9718	Black-LH.....	NLA		
13	AHH 9360	Red-RH.....	1		
	AHH 8855	Red-LH.....	NLA		
	AD 606063	Screw-trim pad.....	9		
	FWP 906	Washer-cup.....	9		



MO Q194

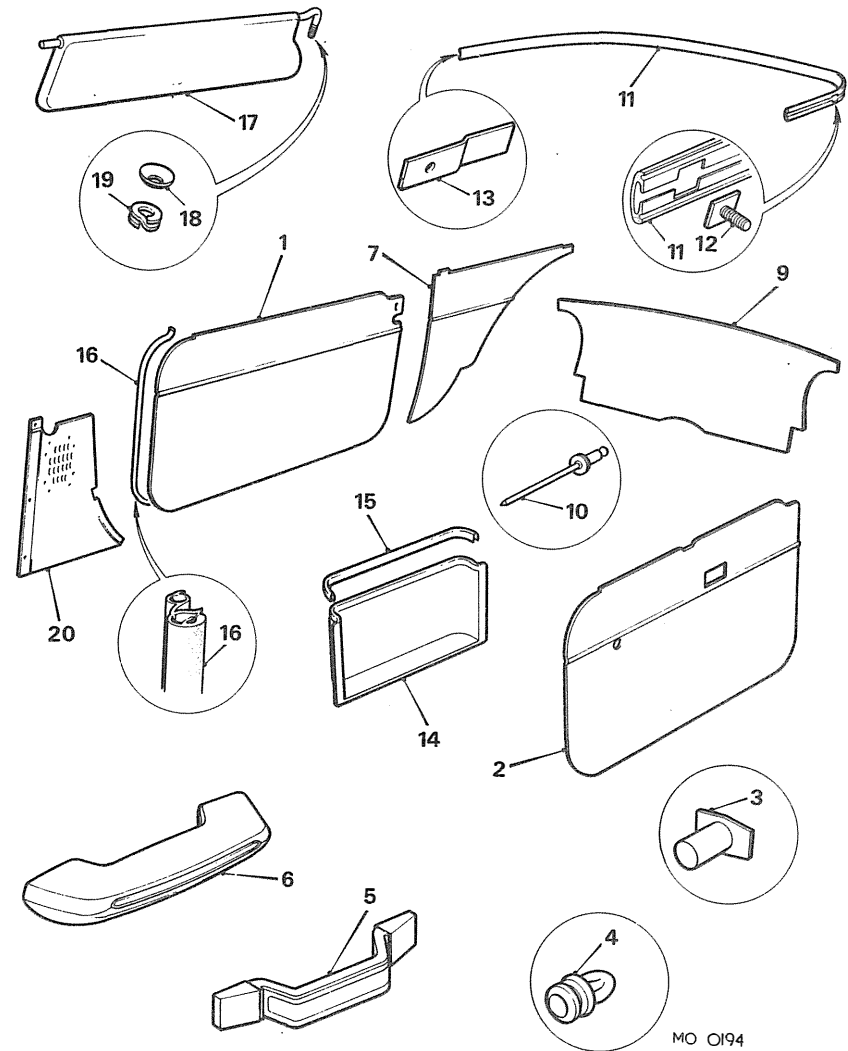
Ill. No.	Part No.	DESCRIPTION	Qty.	Change Point	REMARKS
LINERS-FINISHERS-DOOR SEALS-MAP POCKET-SUN VISOR-TOURER-					
continued					
LINER-DOOR					
1	AHH 7581	Black with Red piping-RH.....	NLA		
	AHH 7584	Black with White piping-LH.....	NLA	(B)MGB-57896 TO 112092(plus 57830)	
	AHH 8726	Black with White piping-LH.....	NLA	(C)G-HN4-138401 TO 158370	
1	AHH 7587	Red with Black piping-RH.....	NLA		
1	AHH 7589	Red with White piping-RH.....	NLA	(B)MGB-57896 TO 112092(plus 57830)	
2	AHH 8731	Red with White piping-RH.....	NLA	(C)G-HN4-138401 TO 158370	
1	AHH 9586	Black-RH.....	1	} (C)G-HN4-158371 TO 187210	
	AHH 9587	Black-LH.....	NLA		
1	K2A 9884	Black-RH.....	NLA	} (C)G-HN5-187211 TO 258000	
	K2A 9885	Black-LH.....	NLA		
1	K2K 9884	Autumn Leaf-RH.....	1	} (C)G-HN5-258001 TO 294250	
	K2K 9885	Autumn Leaf-LH.....	1		
1	X2K 2031	Autumn Leaf-RH.....	1	} (C)G-HN5-328101 TO 368081	
	X2K 2032	Autumn Leaf-LH.....	NLA		
1	X2N 3387	Navy-RH \$.....	1	} (C)G-HN5-368082 ON	} Except N.America.
	X2N 3388	Navy-LH \$.....	1		
1	X2T 3387	Ochre-RH \$.....	1	} (C)G-HN5-328101 TO 368081	} N.America.
	X2T 3388	Ochre-LH \$.....	1		
1	X2A 3387	Black-RH \$.....	1	} (C)G-HN5-368082 ON	} N.America.
	X2A 3388	Black-LH \$.....	1		
1	X2K 3387	Autumn Leaf-RH \$.....	1	} (C)G-HN5-368082 ON	} N.America.
	X2K 3388	Autumn Leaf-LH \$.....	1		
1	X2A 3427	Black-RH \$.....	1	} (C)G-HN5-368082 ON	} N.America.
	X2A 3428	Black-LH \$.....	1		
1	X2K 3427	Autumn Leaf-RH \$.....	1	} (C)G-HN5-368082 ON	} N.America.
	X2K 3428	Autumn Leaf-LH \$.....	1		
1	X2A 3411	Black-RH \$.....	1	} (C)G-HN5-368082 ON	} N.America.
	X2A 3412	Black-LH \$.....	1		
1	X2K 3411	Autumn Leaf-RH \$.....	1	} (C)G-HN5-368082 ON	} N.America.
	X2K 3412	Autumn Leaf-LH \$.....	1		
3	13H 2475	Cup.....	26		
	RTP 605	Screw-liner.....	26		
	FWP 906	Washer-cup.....	26		
4	CZK 3631	Clip-liner.....	26	} (C)G-HN5-187211 ON	
3	13H 2475	Cup.....	26		
5	RGK 6476	Pull-door-Autumn Leaf \$.....	2	} (C)G-HN5-258001 TO 294250	
5	RGN 6476	Pull-door-Navy \$.....	2		
	RMP 308	Screw-door pull.....	4		
ARMREST-DOOR PULL					
6	X2T 1500	Ochre \$.....	2	} (C)G-HN5-294251 TO 328100	
6	X2N 1500	Navy \$.....	2		
6	X2A 1500	Black \$.....	2	} (C)G-HN5-328101 ON	
6	X2K 1500	Autumn Leaf \$.....	2		
	RMZ 310	Screw-door pull.....	4		

\$ This item is subject to safety regulations.



MO 0194

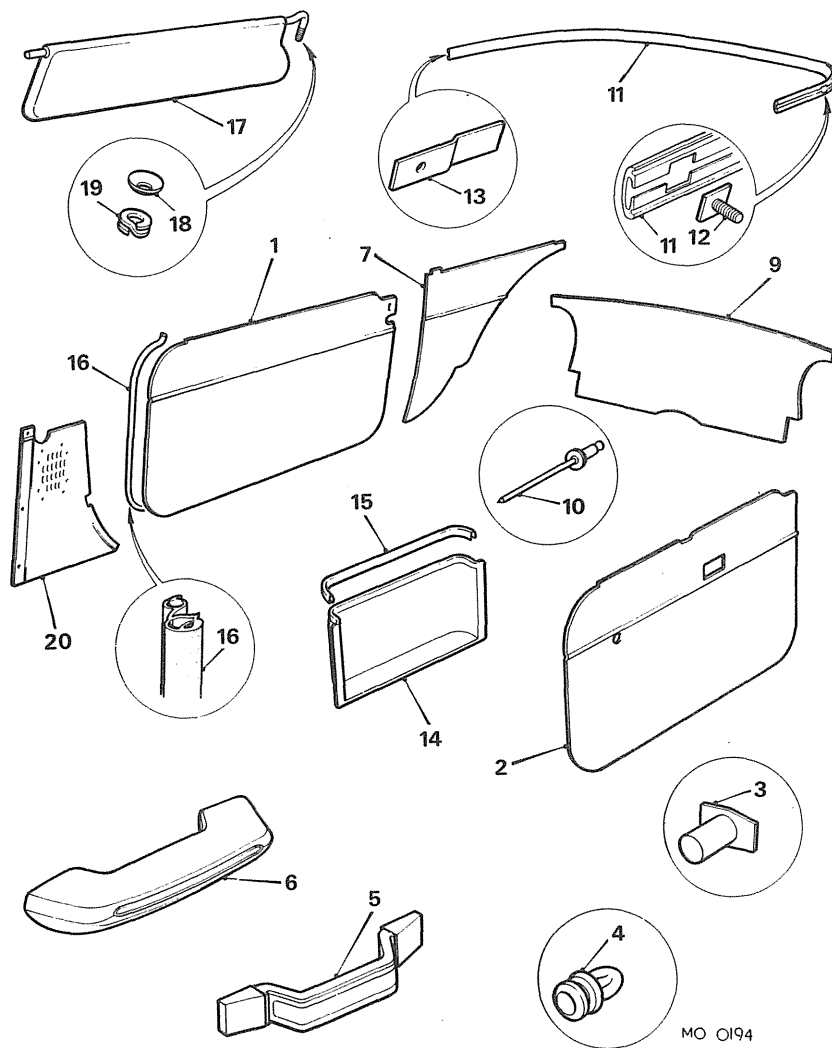
Ill. No.	Part No.	DESCRIPTION	Qty.	Change Point	REMARKS
LINERS-FINISHERS-DOOR SEALS-MAP POCKET-SUN VISOR-TOURER-continued					
LINER-REAR QUARTER					
7	AHH 8858	Black with Red piping-RH.....	NLA] (C)G-HN4-138401 TO 158370	
	AHH 8859	Black with Red piping-LH.....	NLA		
7	AHH 8860	Black with White piping-RH.....	NLA] (C)G-HN4-158371 TO 187210	
	AHH 8861	Black with White piping-LH.....	NLA		
	AHH 8863	Black with Blue piping-LH.....	NLA] (C)G-HN5-187211 TO 258000	
7	AHH 8866	Red with White piping-RH.....	NLA		
	AHH 8867	Red with White piping-LH.....	NLA		
7	AHH 9534	Black-RH.....	NLA] (C)G-HN5-258001 TO 294250	Use X2N 2645.
	AHH 9535	Black-LH.....	NLA		
7	K2A 9915	Black-RH.....	NLA] (C)G-HN5-294251 TO 294984	
	K2A 9916	Black-LH.....	NLA		
7	K2K 9915	Autumn Leaf-RH.....	NLA] (C)G-HN5-294985 TO 328100	
	K2K 9916	Autumn Leaf-LH.....	NLA		
7	K2N 9915	Navy-RH.....	NLA] (C)G-HN5-328101 ON	
	K2N 9916	Navy-LH.....	NLA		
7	X2N 2644	Navy-RH \$.....	1		
	X2N 2645	Navy-LH \$.....	1		
7	X2T 2644	Ochre-RH \$.....	1		
	X2T 2645	Ochre-LH \$.....	1		
7	X2N 3383	Navy-RH.....	1		
	X2N 3384	Navy-LH.....	1		
7	X2T 3383	Ochre-RH.....	1		
	X2T 3384	Ochre-LH.....	1		
7	X2A 3383	Black-RH \$.....	1		
	X2A 3384	Black-LH \$.....	1		
7	X2K 3383	Autumn Leaf-RH \$.....	1		
	X2K 3384	Autumn Leaf-LH \$.....	1		
	RTP 605	Screw.....	10		
	FWP 906	Washer-cup.....	A/R		



MO OI94

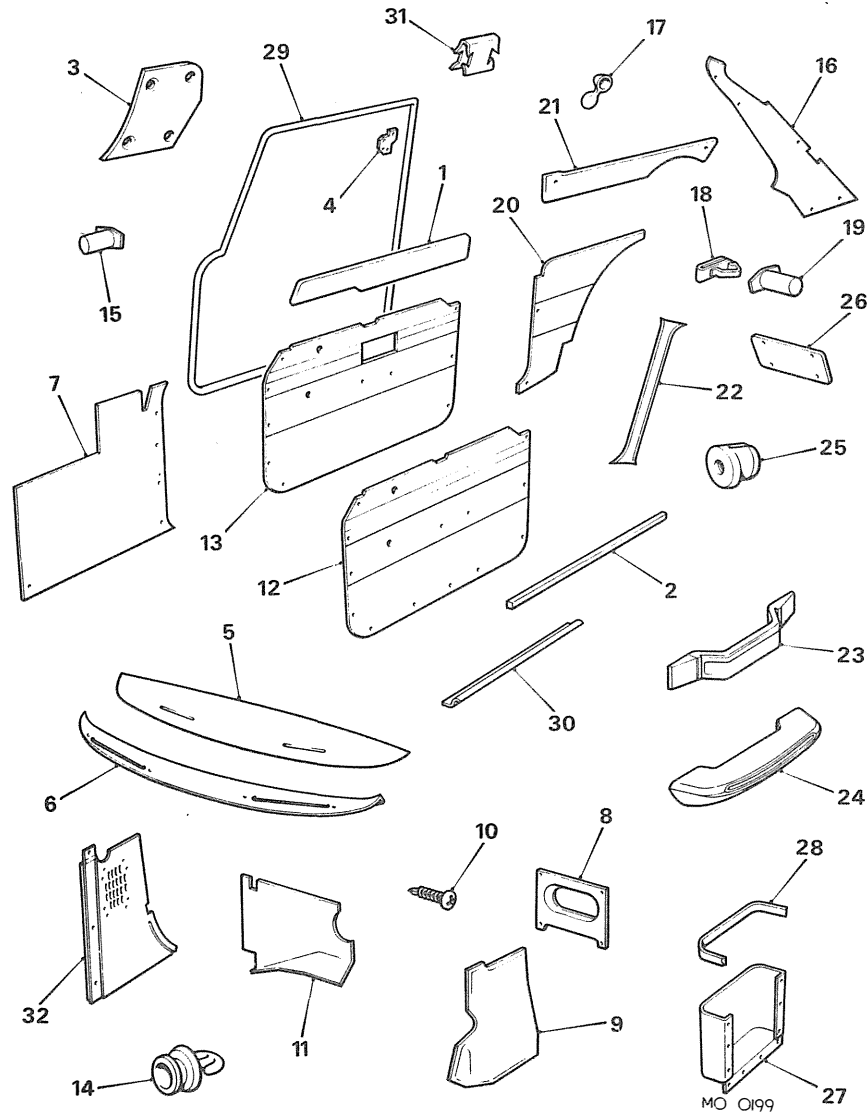
Ill. No.	Part No.	DESCRIPTION	Qty.	Change Point	REMARKS
LINERS,FINISHERS,DOOR SEALS,MAP POCKETS,SUN VISOR-TOURER-CONTINUED.					
LINER-REAR BULKHEAD					
9	AHH 9527	Black.....	NLA		
9	K2K 9527	Autumn Leaf.....	NLA		
9	X2T 2931	Ochre \$.....	1		
9	K2N 9527	Navy.....	NLA	(C)G-HN5-258001 TO 294250	Use X2N 2931
9	X2N 2931	Navy \$.....	1	(C)G-HN5-294251 TO 328100	
9	X2A 2931	Black \$.....	1] (C)G-HN5-328101 ON	
9	X2K 2931	Autumn Leaf \$.....	1		
10	DMP 840	Rivet.....	8		
11	AHH 6416	Moulding-cockpit-rear.....	1		
12	AHH 6417	Plate-stud-moulding.....	9		
	FNZ 103	Nut.....	9		
	PWZ 203	Washer-plain.....	9		
	WL 700101	Washer-spring.....	9		
13	AHH 6418	Plate-end-cockpit moulding- rear.....	2		
	PTZ 803	Screw.....	2		
POCKET-MAP					
14	AHH 8162	Black.....	NLA] (C)G-HN3-101 TO 138400	
14	AHH 8163	Red.....	NLA		(C)G-HN4-138401 TO(+)
14	AHH 9412	Black.....	NLA	(C)G-HN4-(+)TO 158370	
14	AHH 9447	Black.....	1	(C)G-HN4-158371 TO 187210	
14	KGK 9435	Autumn Leaf.....	NLA	(C)G-HN5-187211 TO 258000	Use XGK 2210.
14	XGK 2210	Autumn Leaf \$.....	1] (C)G-HN5-258001 TO 294250	
14	XGN 2210	Navy \$.....	1		
14	XGT 2917	Ochre \$.....	NLA] (C)G-HN5-294251 TO 328100	
14	XGN 2917	Navy \$.....	1		
14	XGA 2917	Black \$.....	NLA] (C)G-HN5-328101 ON	
14	XGK 2917	Autumn Leaf \$.....	1		
15	AHH 8117	Finisher-map pocket.....	1		
	AD 606061	Screw.....	2		
	FWP 906	Washer-cup.....	2		

\$ This item is subject to safety regulations.(+)Change point not available.



Ill. No.	Part No.	DESCRIPTION	Qty.	Change Point	REMARKS
LINERS,FINISHERS,DOOR SEALS,MAP POCKET,SUN VISOR-TOURER-continued.					
		SEAL-DOOR-1829mm(72")			
16	37H 9956 M	Red	NLA] Supplied in multiples of metres(39.37").
16	37H 9957 M	Blue	NLA		
16	KGK 9548	Autumn Leaf.....	2] Supplied in multiples of metres(39.37").
16	KGT 820	Ochre.....	2		
16	37H 7121 M	Navy.....	NLA	Use prior to KGN 817	
16	KGN 817	Navy.....	2] (C)G-HN5-294984 TO 328100 (C)G-HN5-328101 ON
16	KGT 817	Ochre.....	NLA		
	KGA 817	Black.....	2		
	KGK 817	Autumn Leaf.....	2		
17	AHH 8843	Visor-sun-Black-RH \$.....	1] N.America Was BHH 269
17	BHH 1006	Visor-sun-Black-LHD \$.....	2	(C)G-HN5-194068 ON	
18	AHH 8799	Washer-spherical.....	2		
19	AJD 7721	Washer-spring-DC.....	2		
	LNZ 203	Nut.....	2		
20	AHH 8796	Liner-dash masking-RH.....	1		
	AHH 8797	Liner-dash masking-LH.....	1		

\$ This item is subject to safety regulations.



Ill. No.	Part No.	DESCRIPTION	Qty.	Change Point	REMARKS
----------	----------	-------------	------	--------------	---------

LINERS,FINISHERS,DOOR SEALS-MAP POCKET-GT

CAPPING-WAIST RAIL

1	AHH 7840	Black-RH	1	Use prior to K2A 9894/9895 (C)G-HD5-187841 TO 258000	
	AHH 7841	Black-LH	NLA		
1	K2A 9894	Black-RH	1		
	K2A 9895	Black-LH	1		
1	K2K 9894	Autumn Leaf-RH	1		
	K2K 9895	Autumn Leaf-LH	1		
1	K2N 9894	Navy-RH	1	(C)G-HD5-258001 TO 296000	
	K2N 9895	Navy-LH	1		
1	X2N 2574	Navy-RH \$	1	(C)G-HD5-296001	Use X2N 3382
	X2N 2575	Navy-LH \$	NLA		
1	X2T 2574	Ochre-RH \$	NLA	(C)G-HD5-296001 TO(+)	Use X2T 3381
	X2T 2575	Ochre-LH \$	1		
1	X2N 3381	Navy-RH \$	1	(C)G-D2D1-101 TO(+)	
	X2N 3382	Navy-LH \$	1		
1	X2T 3381	Ochre-RH \$	1	(C)G-HD5-(+)TO 323467	
	X2T 3382	Ochre-LH \$	1		
1	X2A 3400	Black-RH \$	NLA	(C)G-D2D1-(+)TO 348	
	X2A 3401	Black-LH \$	1		
1	X2K 3400	Autumn Leaf \$	1	(C)G-HD5-323468 ON (C)G-D2D1-349 ON	
	X2K 3401	Autumn Leaf \$	1		
2	AHH 7848	Weatherstrip-inner-door \$	2		

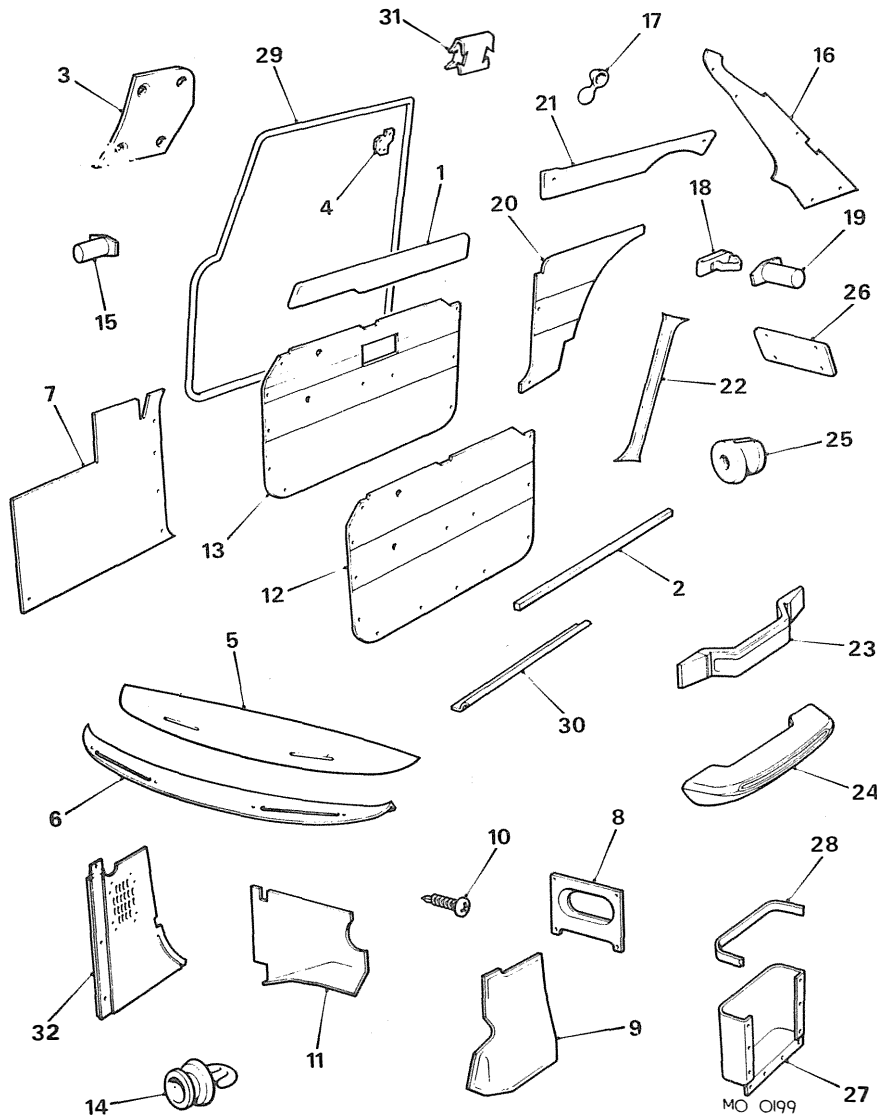
FINISHER-WAIST RAIL

3	AHH 7844	Front-RH	1		
	AHH 7845	Front-LH	1		
4	AHH 7846	Rear-RH	1		
	AHH 7847	Rear-LH	1		
	CMZ 310	Screw	4		
	AC 608041	Screw	4		

LINER-SCUTTLE-TOP

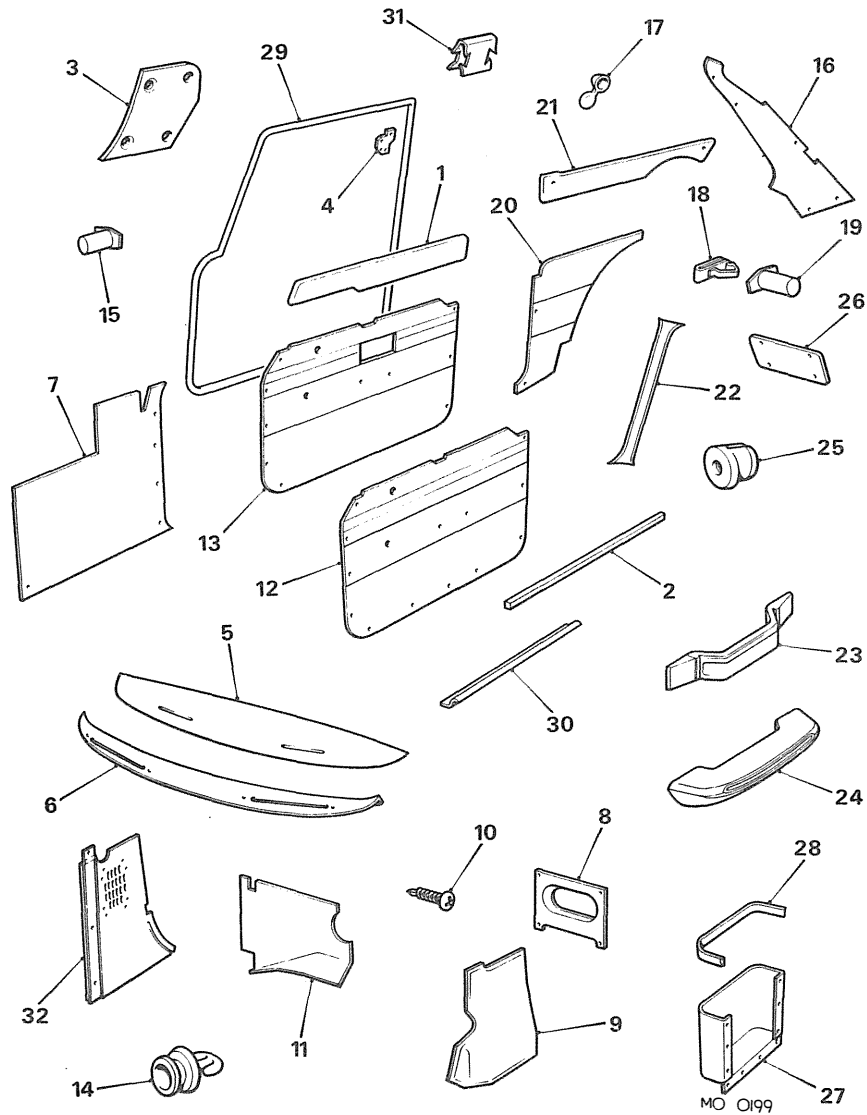
5	X2A 3378	Black \$	1	Use prior to X2A 3415 (C)G-HD5-361001 ON	Except N.America.
	X2A 3415	Black	1		
6	AHH 8832	Black	1	Use prior to X2A 2923 (C)G-HD5-296001 ON	N.America
6	X2A 2923	Black \$	1		

\$ This item is subject to safety regulations.(+) Change point not available.



Ill. No.	Part No.	DESCRIPTION	Qty.	Change Point	REMARKS
LINERS,FINISHERS,DOOR SEALS AND MAP POCKET-GT-continued					
LINER-SCUTTLE SIDE					
7	AHH 8027	Black-RH	NLA		
	AHH 8028	Black-LH	NLA		
7	AHH 8029	Red-RH	NLA		
7	AHH 9600	Mushroom-RH	NLA		
	AHH 9601	Mushroom-LH	NLA		
7	K2A 9450	Black-RH	NLA		Use X2A 2946
	K2A 9451	Black-LH	1		
7	X2N 2946	Navy-RH \$	1		
	X2N 2947	Navy-LH \$	1		
7	X2T 2946	Ochre-RH \$	1		
	X2T 2947	Ochre-LH \$	1		
7	X2A 2946	Black-RH \$	1		
	X2A 2947	Black-LH \$	1		
7	X2K 2946	Autumn Leaf-RH \$	1		(C)G-HD5-328801 ON
	X2K 2947	Autumn Leaf-LH \$	1		(C)G-D2D1-(+)ON
8	K2A 906				
LINER-AIR-INTAKE BOX-CENTRE-					
		BLACK	1		
LINER-AIR-INTAKE BOX-LH SIDE					
9	AHH 9366	Red-RHD	1		
	AHH 9369	Red-LHD	1		
9	AHH 9723	Brown-RHD	NLA		
	AHH 9368	Black-LHD	1		Use prior to AHH 9439
	AHH 9370	Blue-LHD	NLA		
9	AHH 9722	Black-RHD	NLA		
	AHH 9439	Black-LHD	NLA		(C)G-HD4-158231 TO 219000
10	AHA 8706	Screw-trim pad-LH-LHD	3		
	FWP 906	Washer-cup	A/R		

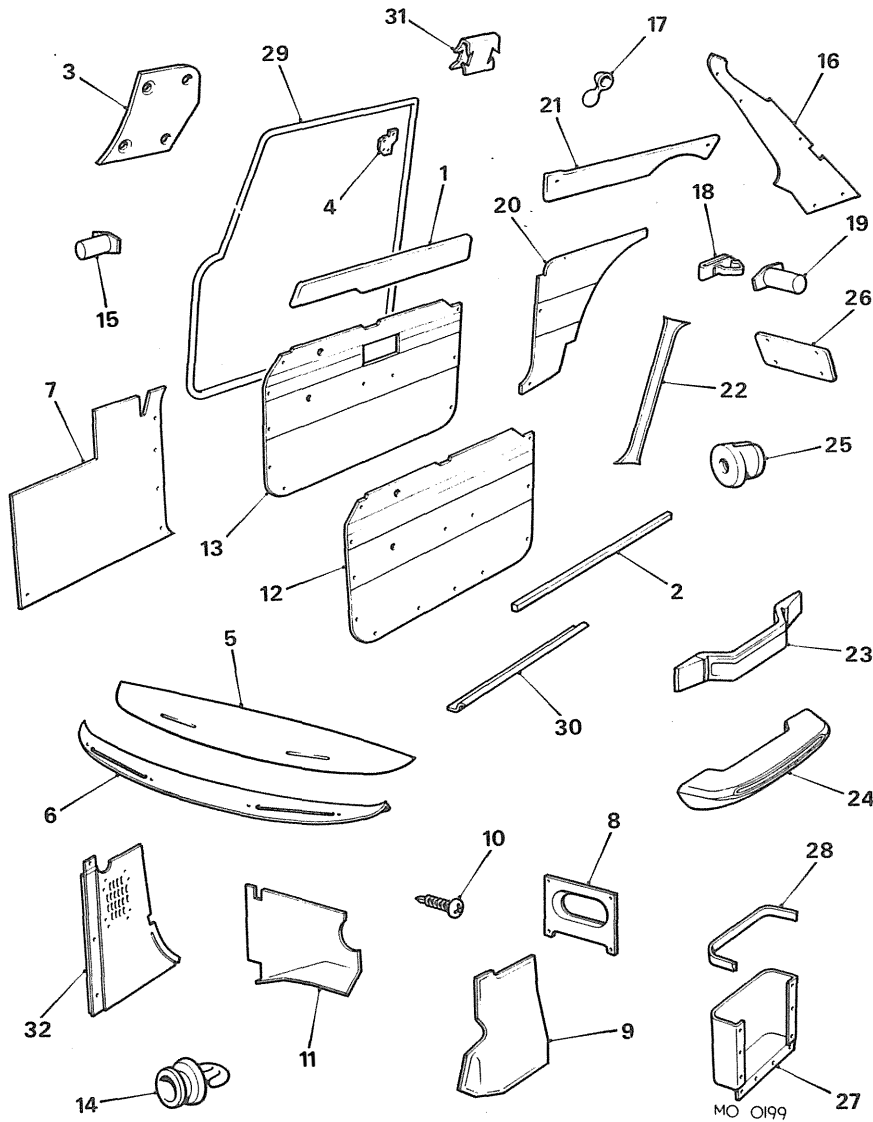
\$ This item is subject to safety regulations.(+) Change point not available.



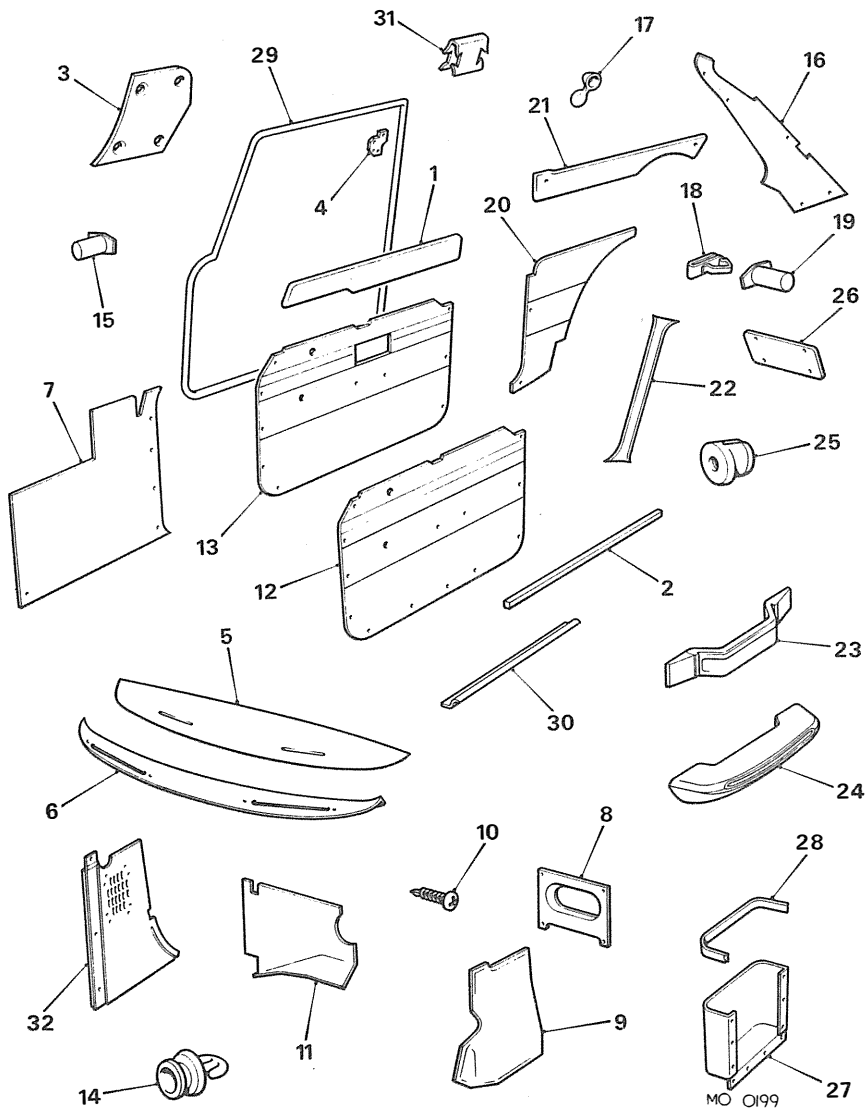
Ill. No.	Part No.	DESCRIPTION	Qty.	Change Point	REMARKS
LINERS,FINISHERS,DOOR SEALS AND MAP POCKET-GT-continued					
LINER-TOEBOARD					
	AHH 8855	Red-LH	NLA	}	(C)G-HD4-139472 TO (B)GBD-22437 and (B)GBUD-502148
	AHH 8857	Blue-LH	1		
11	AHH 9359	Black-RH-N.America	1	}	(B)GBD-22438 TO (+) (B)GBUD-502149 TO (+)
11	AHH 9360	Red-RH-N.America	1		
	AHH 9363	Red-LH	1		
11	AHH 9358	Blue-RH	NLA		
	AHH 9361	Blue-RH-N.America	1		
	AHH 9364	Blue-LH	NLA		
11	AHH 9716	Black-RH	NLA		
	AHH 9718	Black-LH	NLA		
11	AHH 9717	Brown-RH	NLA		
11	AHH 9721	Brown-RH-N.America	NLA		
	AHH 9719	Brown-LH	NLA	}	(C)G-HD4-158231 TO 187840
	FWP 906	Washer-cup	9		
LINER-DOOR					
12	AHH 8033	Black with Red piping-RH	NLA	}	(C)G-HD3-71933 TO 138400
	AHH 8034	Black with Red piping-LH	NLA		
	AHH 8042	Black with White piping-LH	NLA		
12	AHH 8043	Red with White piping-RH	NLA	}	(C)G-HD4-139472 TO 158230
13	AHH 8725	Black with White piping-RH	NLA		
	AHH 8726	Black with White piping-LH	NLA	}	(C)G-HD4-158231 TO 187840
13	AHH 8727	Black with Blue piping-RH	NLA		
13	AHH 8731	Red with White piping-RH	NLA		
13	AHH 8729	Red with Black piping-RH	NLA		
	AHH 9587	Black-LH	NLA	}	(C)G-HD5-219001 TO 258000
13	K2K 9884	Autumn Leaf-RH	1		
	K2K 9885	Autumn Leaf-LH	1	}	(C)G-HD5-258001 TO 296000
13	X2K 2031	Autumn Leaf-RH	1		
	X2K 2032	Autumn Leaf-LH	NLA	}	(C)G-HD5-328801 TO 367803(Except N.America),328801 ON(N.America)(C)G- D2D1-(+)TO(+)
13	X2N 3387	Navy-RH \$	1		
	X2N 3388	Navy-LH \$	1		
13	X2T 3387	Ochre-RH \$	1		
	X2T 3388	Ochre-LH \$	1		
13	X2A 3387	Black-RH \$	1		
	X2A 3388	Black-LH \$	1		
13	X2K 3387	Autumn Leaf-RH \$	1		
	X2K 3388	Autumn Leaf-LH \$	1		
13	X2A 3427	Black-RH \$	1		
	X2A 3428	Black-LH \$	1		
13	X2K 3427	Autumn Leaf-RH \$	1		
	X2K 3428	Autumn Leaf-LH \$	1		

Except N.America.

\$ This item is subject to safety regulations.(+) Change point not available.



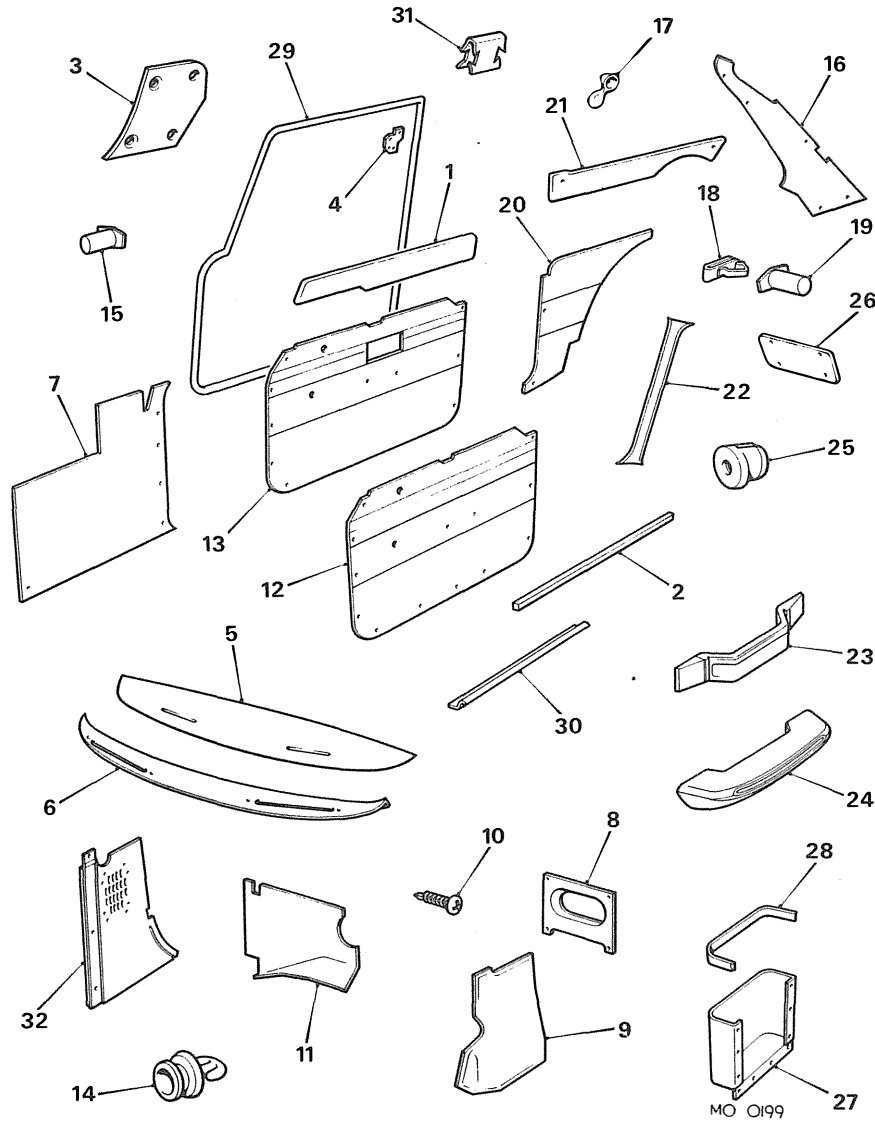
Ill. No.	Part No.	DESCRIPTION	Qty.	Change Point	REMARKS
LINERS,FINISHERS,DOOR SEALS AND MAP POCKETS-GT-continued					
14	CZK 3631	Clip-liner	26		
15	13H 2475	Washer-cup	26		
LINER-REAR QUARTER-UPPER					
16	AHH 7618	Beige-RH	NLA	(C)G-HD3-71933 TO	
16	AHH 7620	Grey-RH	NLA	138400	
				(C)G-HD4-139472 TO	
				158230	
16	AHH 9460	Grey-RH	NLA	(C)G-HD4-158231 TO	Use X2J 2910.
	AHH 9461	Grey-LH	1	187840	
				(C)G-HD5-187841 TO	
				296000	
		Grey-RH \$	1	(C)G-HD5-296001 ON	
		Grey-LH \$	1	(C)G-D2D1-101 ON	
16	X2J 2910	Cap-screw-Grey.....	NLA		
	X2J 2911	Screw-liner	2		
17	ADE 9913	Clip-liner	A/R		
	RTP 605	Cup-flanged-liner.....	A/R		
18	13H 201				
19	14G 6728				
LINER-REAR QUARTER-LOWER					
	AHH 8875	Red with Black piping-LH	NLA		
	AHH 8879	Blue with Blue piping-LH	NLA	(C)G-HD4-15231 TO	
	AHH 9592	Black-RH	1	187840	
		Black-LH	NLA	(C)G-HD5-187841 TO	
		Autumn Leaf-RH	NLA	258000	
20	K2A 9911	Autumn Leaf-LH	1		
	K2A 9912	Navy-RH	1	(C)G-HD5-258001 TO	
20	K2K 9911	Navy-LH	1	295682	
	K2K 9912	Navy-RH \$	1		
20	K2N 9911	Navy-LH \$	1	(C)G-HD5-295683 TO	
	K2N 9912	Ochre-RH \$	1	296000	
20	X2N 3383	Ochre-LH \$	1		
	X2N 3384	Navy-RH \$	1	(C)G-HD5-296001 TO	
20	X2T 3383	Navy-LH \$	1	296350	
	X2T 3384	Ochre-RH \$	1		
20	X2N 2648	Ochre-LH \$	1		
	X2N 2649	Navy-RH \$	1	(C)G-HD5-296351 TO	
20	X2T 2648	Ochre-RH \$	1	328800	
	X2T 2649	Ochre-LH \$	1	(C)G-D2D1-101 TO(+)	
20	X2N 3385	Black-RH \$	1		
	X2N 3386	Black-LH \$	1	(C)G-HD5-388801 ON	
20	X2T 3385	Autumn Leaf-RH \$	1	(C)G-D2D1-(+) ON	
	X2T 3386	Autumn Leaf-LH \$	1		
20	X2K 3385				
	X2K 3386				



Ill. No.	Part No.	DESCRIPTION	Qty.	Change Point	REMARKS
----------	----------	-------------	------	--------------	---------

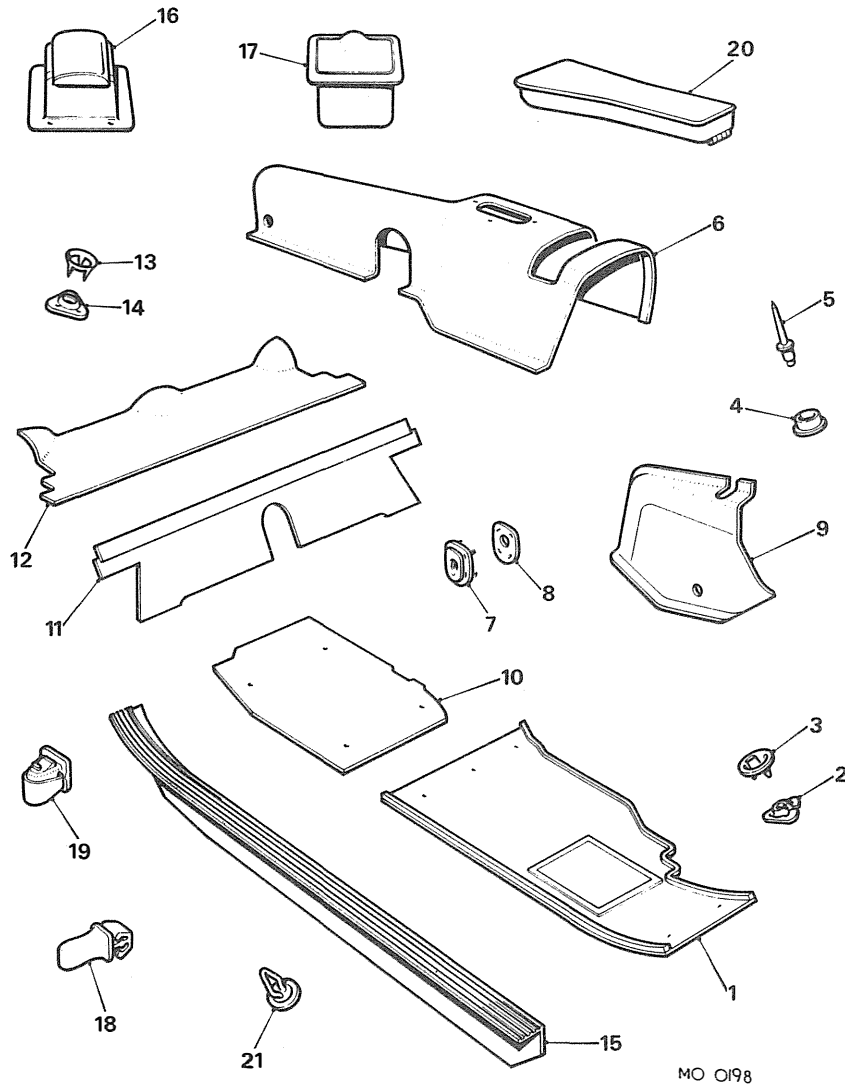
LINERS,FINISHERS,DOOR SEALS AND MAP POCKETS-GT-continued

LINER-REAR QUARTER-WAIST					
21	AHH 7642	Black-RH	NLA	} (C)G-HD3-71933 TO 138400	
	AHH 7643	Black-LH	NLA		} (C)G-HD4-139472 TO 158230
21	K2A 9454	Black-RH	NLA		
	K2A 9455	Black-LH	NLA		
21	K2K 9454	Autumn Leaf-RH	1		
	K2K 9455	Autumn Leaf-LH	NLA		
21	K2N 9454	Navy-RH	1	} (C)G-HD5-258001 TO 296000	
	K2N 9455	Navy-LH	1		} (C)G-HD5-296001 TO 328800
21	X2N 2948	Navy-RH \$	1	} (C)G-D2D1-101 TO(+)	
	X2N 3392	Navy-LH \$	1		
21	X2T 2948	Ochre-RH \$	NLA		
	X2T 2949	Ochre-LH \$	NLA		
21	X2T 3391	Ochre-RH \$	1		
	X2T 3392	Ochre-LH \$	1		
21	X2A 3391	Black-RH \$	1	} (C)G-HD5-328801 TO 410000	
	X2A 3392	Black-LH \$	1		} (C)G-D2D1-(+)TO 2903
21	X2K 3391	Autumn Leaf-RH \$	1		
	X2K 3392	Autumn Leaf-LH \$	1		
	FWP 906	Washer-cup	6		
	AD 606084	Screw	A/R		
FINISHER-'A' POST					
22	K2A 7601	RH-Black	NLA	} Use prior to X2A 2970/2971	} Use X2A 2970.
	K2A 7602	LH-Black	1		
22	X2A 2970	RH-Black \$	1	} (C)G-D2D1-101 TO 2903	
	X2A 2971	LH-Black \$	1		
	FWP 906	Washer-cup	A/R		
23	RGK 6476	Pull-door-Autumn Leaf	2	} (C)G-HD5-258001 TO 296000	
23	RGN 6476	Pull-door-Navy	2		
	RMP 308	Screw-door pull	4		
ARMREST-DOOR PULL					
24	X2T 1500	Ochre	2		
24	X2N 1500	Navy	2		
24	X2A 1500	Black \$	2		
24	X2K 1500	Autumn Leaf \$	2		
	AB 614081	Screw-door pull	4		
25	13H 2494	Nut	4		
LINER-BOOT LID					
26	AHH 7964	Black-RH	NLA	} (C)G-HD3-71933 TO 138400	
	AHH 7965	Black-LH	NLA		} (C)G-HD4-139472 TO 158230
26	AHH 7966	Red-RH	NLA	} (C)G-HD4-158231 TO 187840	
	AHH 7969	Blue-LH	NLA		
	AHH 9607	Black-LH	1		
26	AHH 9608	Mushroom-RH	NLA		
	AHH 9609	Mushroom-LH	NLA		
	FWP 906	Washer-cup	12		



Ill. No.	Part No.	DESCRIPTION	Qty.	Change Point	REMARKS
LINERS,FINISHERS,DOOR SEALS,MAP POCKET.GT-continued.					
POCKET-MAP					
27	AHH 8163	Red	NLA		
27	AHH 8162	Black.....	NLA		Use prior to AHH 9412
27	AHH 9412	Black.....	NLA		(B)GBD-22443 TO (C)G-HD4-158230 (B)GBUD-502009 TO (C)G-HD4-158230 (C)G-HD4-158231 TO 187840 (C)G-HD5-187841 ON (C)G-D2D1-101 ON
27	AHH 9447	Black.....	1		
27	AHH 9448	Brown	NLA		
27	KGK 9435	Autumn Leaf.....	NLA		(C)G-HD5-219001 TO 258000 Use XGK 2210.
27	XGK 2210	Autumn Leaf.....	1		(C)G-HD5-258001 TO 296000
27	XGN 2210	Navy.....	1		
27	XGT 2917	Ochre \$.....	NLA		(C)G-HD5-296001 TO 328800
27	XGN 2917	Navy \$.....	1		(C)G-D2D1-101 TO(+)
	XGA 2917	Black \$.....	NLA		(C)G-HD5-328801 ON
	XGK 2917	Autumn Leaf \$.....	1		(C)G-D2D1-(+) ON
28	AHH 8117	Finisher-map pocket.....	1		
	FWP 906	Washer-cup.....	2		
	AD 606061	Screw.....	2		
SEAL-DOOR					
29	AHH 9240	Red	NLA		
29	AHH 9241	Blue.....	2		
29	AHH 9541	Mushroom.....	2		
29	KGK 9538	Autumn Leaf.....	2		
29	KGN 9538	Navy.....	2		
29	KGN 820	Navy.....	NLA		Use prior to KGN 820 (C)G-HD5-295683 TO 328800
29	KGT 820	Ochre.....	2		(C)G-D2D1-101 TO(+)
29	KGA 820	Black.....	NLA		(C)G-HD5-328801 TO 367803(EXCEPT N.America), 328801 ON(N.America)
29	KGK 820	Autumn Leaf.....	2		(C)G-D2D1-(+) TO (+) (C)G-HD5-367804 ON (C)G-D2D1-(+) ON] Except N.America.
29	XGA 6652	Black.....	2		
29	XGK 6652	Autumn Leaf.....	2		
30	AHH 7768	Strip-retaining-seal.....	2		
	AB 606031	Screw-strip.....	12		
31	14A 6797	Clip-door seal to flange.....	A/R		
32	AHH 8796	Liner-dash masking-RH.....	1		
	AHH 8797	Liner-dash masking-LH.....	1		

\$ This item is subject to safety regulations.(+) Change point not available.



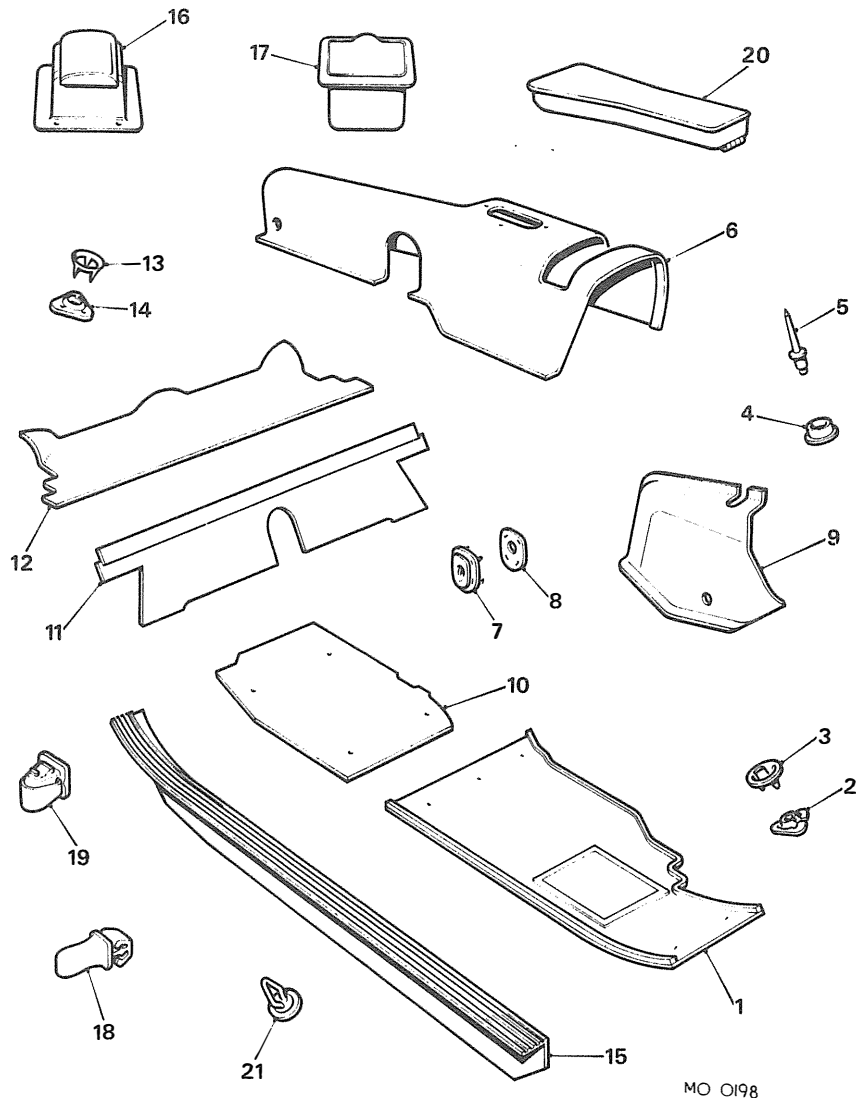
MO 0198

Ill. No.	Part No.	DESCRIPTION	Qty.	Change Point	REMARKS
----------	----------	-------------	------	--------------	---------

FLOOR FITTINGS-FRONT AND REAR.

MAT ASSEMBLY-FRONT					
1	AHH 7156	Black-RH	NLA] Use prior to AHH 9762/3 (C)G-HN4-158371 TO 187210 (C)G-HN5-187211 TO 258000 (C)G-HD4-158231 TO 187840 (C)G-HD5-187841 TO 258000	
	AHH 7157	Black-LH	NLA		
1	AHH 9762	Black-RH	1		
	AHH 9763	Black-LH	1		
1	AHH 8165	Red-RH	NLA] Use prior to AHH 8474/5 (C)G-HN4-138401 TO 158370 (C)G-HD4-139472 TO 158230	
	AHH 8166	Red-LH	1		
1	AHH 9764	Red-RH	1		
	AHH 8475	Red-LH	NLA		
1	AHH 8476	Blue-RH	1] GT.	
	AHH 8477	Blue-LH	NLA		
1	AHH 9764	Brown-RH	NLA		
	AHH 9765	Brown-LH	NLA		
1	KGK 9760	Navy-RH \$	1] -Except V8. V8.	
	KGK 9761	Navy-LH \$	1		
	XGN 3700	Navy-LH \$	1		
	XGT 3700	Ochre-LH \$	1		
1	KGT 9760	Ochre-RH \$	1] Except V8.	
	KGT 9761	Ochre-LH \$	1		
1	KGA 9760	Black-RH \$	1		
	KGA 9761	Black-LH \$	1		
1	KGK 9760	Autumn Leaf-RH \$	1] Except V8.	
	KGA 9761	Black-LH \$	1		
	KGK 9761	Autumn Leaf-LH \$	1		
	XGA 3700	Black-LH \$	1		
	XGK 3700	Autumn Leaf-LH \$	1] (C)G-HN5-328101 ON (C)G-HD5-328801 ON (C)G-D2D1-(+)ON	
	XGK 3700	Autumn Leaf-LH \$	1		
	XGA 6670	Black-RH	1] GT.	
	XGA 6669	Black-LH	1		
2	2H 8445	Socket-fastener	8] (C)G-HN5-360301 ON (C)G-HD5-361001 ON (C)G-D2D1-(+)ON	
3	14G 8736	Ring-spiked	8		
4	ADB 4811	Fastener-dot	8		
5	DMP 829	Rivet-pop	8		

\$ This item is subject to safety regulations.(+) Change point not available.

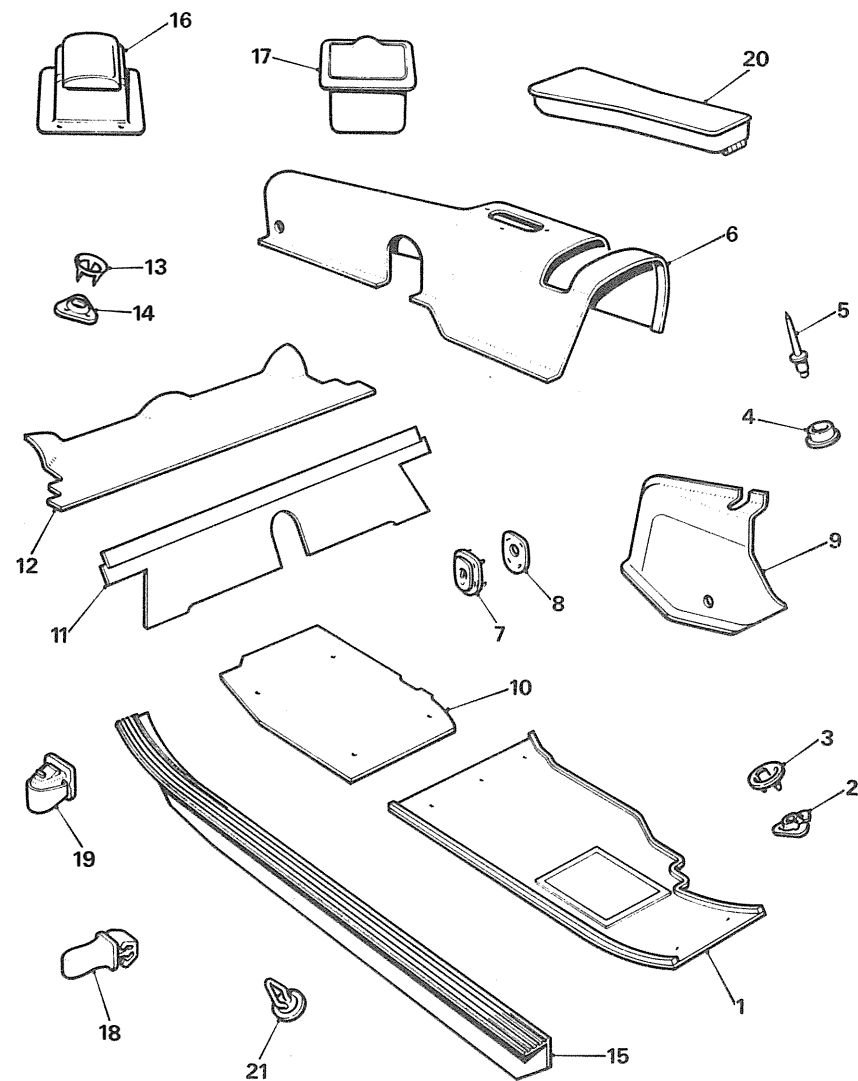


Ill. No.	Part No.	DESCRIPTION	Qty.	Change Point	REMARKS
----------	----------	-------------	------	--------------	---------

FLOOR FITTINGS-FRONT AND REAR-continued.

Ill. No.	Part No.	DESCRIPTION	Qty.	Change Point	REMARKS
CARPET-ASSEMBLY-GEARBOX AND TUNNEL					
6	AHH 9446	Brown	1	NLA] Use prior to XGN 2963 (C)G-HN5-294251 TO 328100 (C)G-HD5-296001 TO 328800 (C)G-D2D1-101 TO(+)
6	XGK 2073	Autumn Leaf	1		
6	XGN 2073	Navy	1		
6	XGN 2963	Navy \$	1		
6	XGT 2963	Ochre \$	1] (C)G-HN5-328101 ON (C)G-HD5-328801 ON (C)G-D2D1-(+) ON
6	XGA 2963	Black \$	1		
6	XGK 2963	Autumn Leaf \$	1		
7	LFS 107	Socket-fastener	1] (C)G-HN4-138401 TO 187210 (C)G-HN5-187211 TO 258000 (C)G-HD4-139472 TO 187840 (C)G-HD5-187841 TO 258000
8	LFS 100	Washer-socket	1		
MAT-REAR					
10	AHH 9768	Black-RH	1] (C)G-HN4-138401 TO 187210 (C)G-HN5-187211 TO 258000 (C)G-HD4-139472 TO 187840 (C)G-HD5-187841 TO 258000
	AHH 9769	Black-LH	1		
10	AHH 8167	Red-RH	1	NLA] Use prior to AHH 8487/8. (C)G-HN4-138401 TO 158370 (C)G-HD4-139472 TO 158230
10	AHH 8487	Red-RH	1	NLA	
	AHH 8488	Red-LH	1	NLA] (C)G-HN4-138401 TO 158370 (C)G-HD4-139472 TO 158230
10	AHH 8489	Blue-RH	1	NLA	
	AHH 8490	Blue-LH	1	NLA] GT.
10	AHH 9770	Brown-RH	1	NLA	
	AHH 9771	Brown-LH	1	NLA	
10	KGK 9766	Autumn Leaf-RH \$	1] (C)G-HN5-328101 ON (C)G-HD5-328801 ON (C)G-D2D1-(+) ON
	KGK 9767	Autumn Leaf-LH \$	1		
10	KGN 9766	Navy-RH \$	1] (C)G-HN5-328101 ON (C)G-HD5-328801 ON (C)G-D2D1-(+) ON
	KGN 9767	Navy-LH \$	1		
10	KGT 9766	Ochre-RH \$	1] (C)G-HN5-328101 ON (C)G-HD5-328801 ON (C)G-D2D1-(+) ON
	KGT 9767	Ochre-LH \$	1		
10	KGA 9766	Black-RH \$	1] (C)G-HN5-328101 ON (C)G-HD5-328801 ON (C)G-D2D1-(+) ON
	KGA 9767	Black-LH \$	1		
CARPET-REAR					
	XGA 6680	Black-RH	1] GT.
	XGA 6681	Black-LH	1		

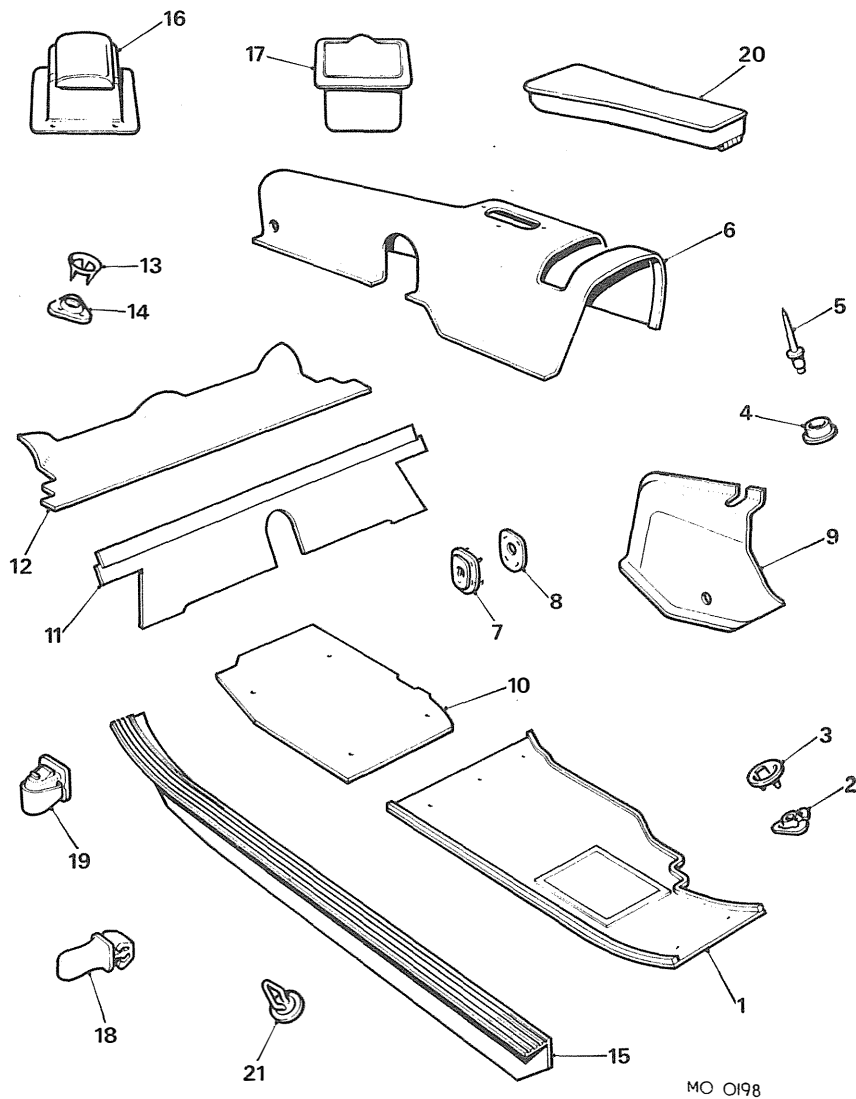
\$ This item is subject to safety regulations.(+) Change point not available.



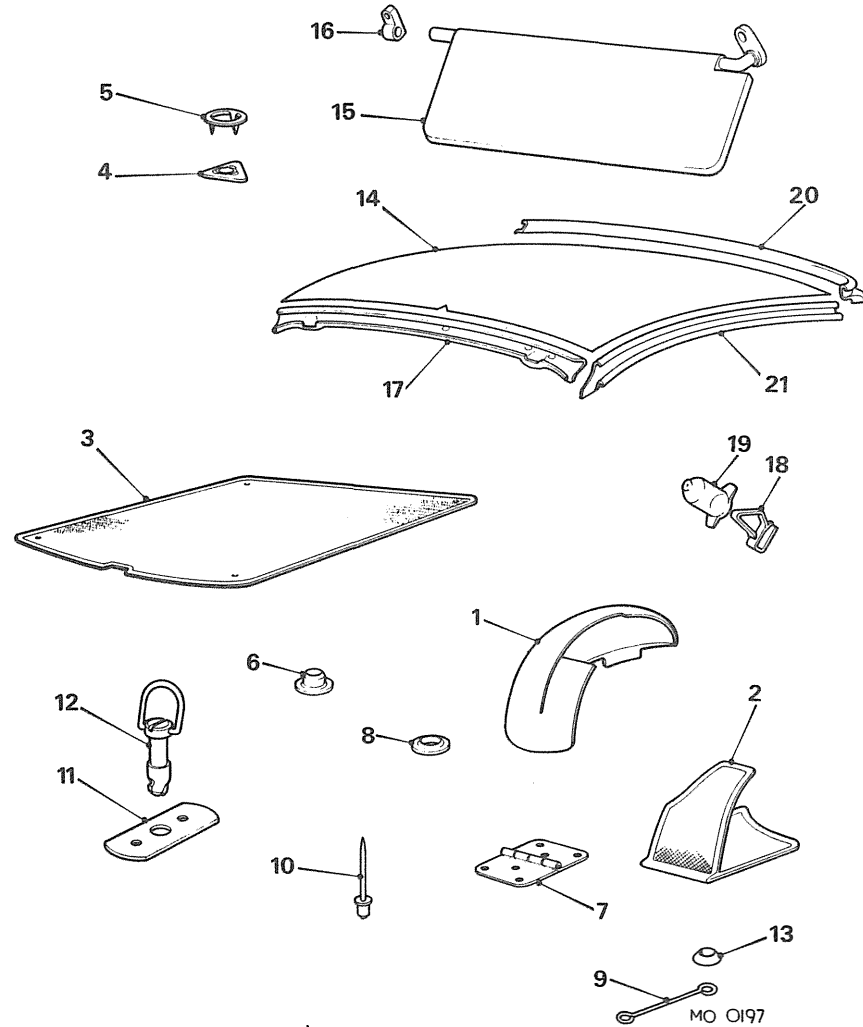
MO OI98

Ill. No.	Part No.	DESCRIPTION	Qty.	Change Point	REMARKS	
CARPETS.						
CARPET-HEELBOARD						
11	AHH 9714	Black.....	1	Use prior to XGN 2061	GT.	
11	AHH 9715	Brown.....	NLA			
11	XGK 2061	Autumn Leaf.....	1	Use prior to XGT 2903		
11	XGN 2061	Navy.....	1	(C)G-HN5-258001 TO 294250	GT.	
11	XGN 2903	Navy \$.....	NLA	(C)G-HD5-258001 TO 296000		
11	XGT 2903	Ochre \$.....	NLA	(C)G-HN5-294251 TO 328100		
11	XGA 2903	Black \$.....	1	(C)G-HD5-296001 TO 328800		
11	XGK 2903	Autumn Leaf \$.....	1	(C)G-D2D1-101 TO(+)		
				(C)G-HN5-328101 ON		
CARPET ASSEMBLY-REAR COMPARTMENT						
12	AHH 9438	Brown.....	NLA	Use prior to XGK/XGN 2072	GT.	
12	AHH 9437	Black.....	1			(C)G-HN5-258001 TO 294250
12	KGK 9317	Autumn Leaf.....	1			(C)G-HD5-258001 TO 296000
12	XGK 2072	Autumn Leaf.....	1	(C)G-HN5-294251 TO 328100	GT.	
12	XGN 2072	Navy.....	1	(C)G-HD5-296001 TO 328800		
12	XGN 2962	Navy \$.....	1	(C)G-D2D1-101 TO(+)		
12	XGT 2962	Ochre \$.....	NLA	(C)G-HN5-328101 TO 360300		
12	XGA 2962	Black \$.....	1	(C)G-HD5-328801 TO 361000		
12	XGK 2962	Autumn Leaf \$.....	1	(C)G-D2D1-(+)TO 2100		
12	XGA 3426	Black \$.....	NLA	(C)G-HN5-360301 ON	GT.	
12	XGK 3426	Autumn Leaf \$.....	1	(C)G-HD5-361001 ON		
13	2H 8445	Socket-fastener.....	6			
14	13H 221	Ring-spiked.....	6			
4	ADB 4811	Fastener-dot.....	6			
5	DMP 829	Rivet-pop.....	6			

\$ This item is subject to safety regulations.(+) Change point not available.



Ill. No.	Part No.	DESCRIPTION	Qty.	Change Point	REMARKS
CARPETS-continued.					
21	AAA 4157	Button-carpet	2	(C)G-HD3-71933 TO 138400] GT.
21	AAA 2030	Button-carpet	2	(C)G-HD4-139472 TO 157687 (C)G-HD4-157688 TO 187840 (C)G-HD5-187841 TO 331144	
21	XGN 1750	Button carpet-Navy	2	(C)G-D2D1-101 TO 798 (C)G-HD5-331145 ON (C)G-D2D1-799 ON	
MAT-SILL					
	AHH 8170	Red-LH.....	NLA] GT.
15	AHH 9546	Brown-RH.....	1		
	AHH 9547	Brown-LH.....	NLA		
15	XGK 1300	Autumn Leaf-RH	1		
	XGK 1301	Autumn Leaf-LH.....	1		
15	XGA 1300	Black-RH.....	1		
	XGA 1301	Black-LH.....	1		
15	XGN 1300	Navy-RH.....	1		
	XGN 1301	Navy-LH.....	1		
15	XGT 1300	Ochre-RH \$.....	1		
	XGT 1301	Ochre-LH \$.....	1		
16	AHH 7061	Ashtray.....	1] Use prior to BHH 490
	PTP 606	Screw-ashtray to tunnel.....	A/R		
17	BHH 490	Ashtray-console.....	1	(C)G-HN5/G-HD5-	
18	13H 7468	Striker-armrest console \$.....	1	258001 ON	
19	13H 7469	Catch-striker.....	1	(C)G-D2D1-101 ON	
20	X2A 2915	Armrest-console-Black \$.....	1		



Ill. No.	Part No.	DESCRIPTION	Qty.	Change Point	REMARKS
----------	----------	-------------	------	--------------	---------

CARPETS-GT.

Ill. No.	Part No.	DESCRIPTION	Qty.	Change Point	REMARKS
CARPET-REAR WHEELARCH					
1	AHH 8328	Red-RH.....	1	NLA	
	AHH 8329	Red-LH.....	1	NLA	
1	AHH 9809	Black-RH.....	1	NLA	
	AHH 9810	Black-LH.....	1		
1	AHH 9736	Brown-RH.....	1	NLA	
	AHH 9737	Brown-LH.....	1	NLA	
1	KGK 9429	Autumn Leaf-RH.....	1	} (C)G-HD5-219001 TO 258000	
	KGK 9430	Autumn Leaf-LH.....	1		
1	XGK 2084	Autumn Leaf-RH \$.....	1	} (C)G-HD5-258001 ON (C)G-D2D1-101 ON	
	XGK 2085	Autumn Leaf-LH \$.....	1		
1	XGN 2084	Navy-RH \$.....	1		
	XGN 2085	Navy-LH \$.....	1		
1	XGT 2084	Ochre-RH \$.....	1		
	XGT 2085	Ochre-LH \$.....	1		
1	XGA 2084	Black-RH \$.....	1	} (C)G-HD5-328801 ON (C)G-D2D1-(+) ON	
	XGA 2085	Black-LH \$.....	1		
CARPET-REAR WING POCKET					
2	AHH 7958	Black-RH.....	2	NLA	} (B)GBD-101 TO 21777
	AHH 7959	Black-LH.....	2	NLA	
2	AHH 7960	Red-RH.....	2	NLA	} (B)GBD-22001 TO 22442
	AHH 7978	Black-RH.....	2	NLA	
	AHH 7979	Black-LH.....	2	NLA	} (B)GBD-22443 and (B)MGB-502009 TO (C)G-HD5-258000
2	AHH 9730	Brown-RH.....	2	NLA	
	AHH 9731	Brown-LH.....	2	NLA	
2	KGK 9802	Autumn Leaf-RH.....	2	1	} (C)G-HD5-219001 TO 258000
	KGK 9803	Autumn Leaf-LH.....	2	1	
2	KGK 204	Autumn Leaf-RH.....	2	1	
2	XGK 2068	Autumn Leaf-RH.....	2	1	} (C)G-HD5-258001 TO 296000
	XGK 2069	Autumn Leaf-LH.....	2	1	
2	XGK 2070	Autumn Leaf-RH.....	2	NLA	} (C)G-HD5-296001 TO 328800 (C)G-D2D1-101 TO(+)
2	XGN 2068	Navy-RH.....	2	1	
	XGN 2069	Navy-LH.....	2	1	
2	XGN 2070	Navy-RH.....	2	1	} (C)G-HD5-328801 ON (C)G-D2D1-(+) ON
2	XGN 2618	Navy-RH \$.....	2	1	
	XGN 2619	Navy-LH \$.....	2	1	
2	XGN 2620	Navy-RH \$.....	2	1	
2	XGT 2618	Ochre-RH \$.....	2	NLA	} (C)G-HD5-328801 ON (C)G-D2D1-(+) ON
	XGT 2619	Ochre-LH \$.....	2	NLA	
2	XGT 2620	Ochre-RH \$.....	2	1	
2	XGA 2620	Black-RH \$.....	2	NLA	} (C)G-HD5-328801 ON (C)G-D2D1-(+) ON
2	XGA 2618	Black-RH \$.....	2	NLA	
	XGA 2619	Black-LH \$.....	2	NLA	
2	XGK 2620	Autumn Leaf-RH \$.....	2	NLA	} (C)G-HD5-328801 ON (C)G-D2D1-(+) ON
2	XGK 2618	Autumn Leaf-RH \$.....	2	NLA	
	XGK 2619	Autumn Leaf-LH \$.....	2	NLA	

N.America and Sweden.

N.America

N.America

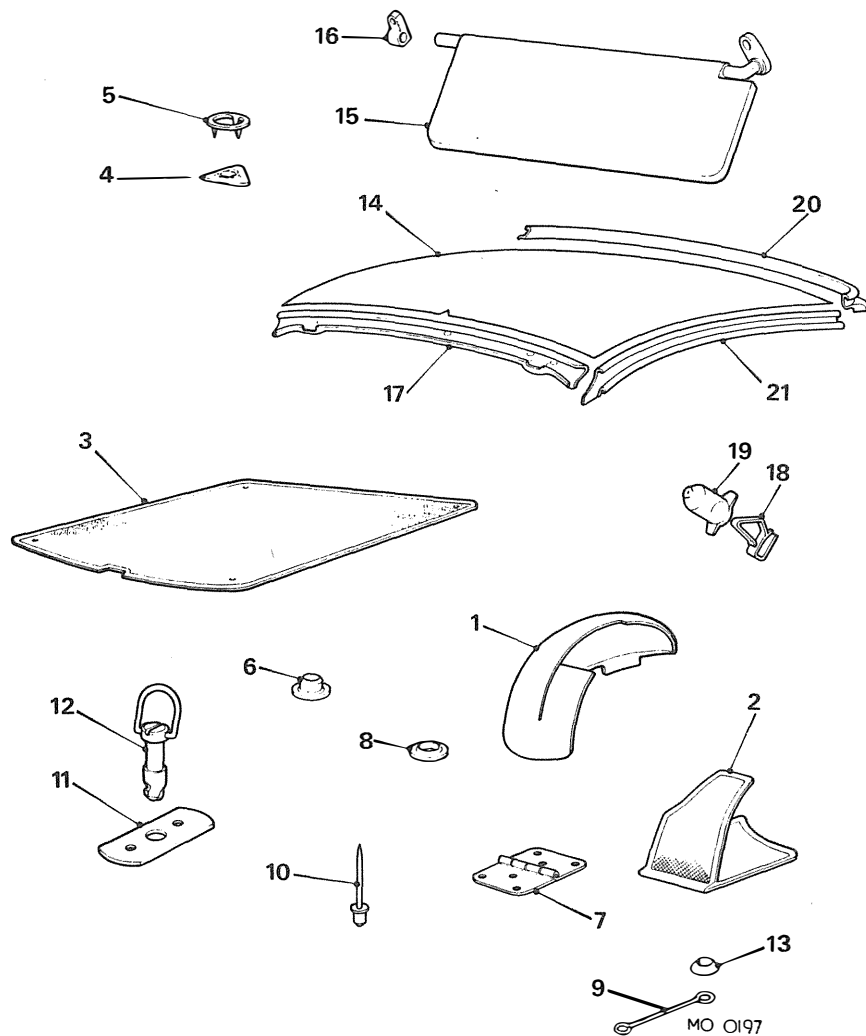
N.America

N.America

N.America

N.America

\$ This item is subject to safety regulations.(+) Change point not available.



Ill. No.	Part No.	DESCRIPTION	Qty.	Change Point	REMARKS
----------	----------	-------------	------	--------------	---------

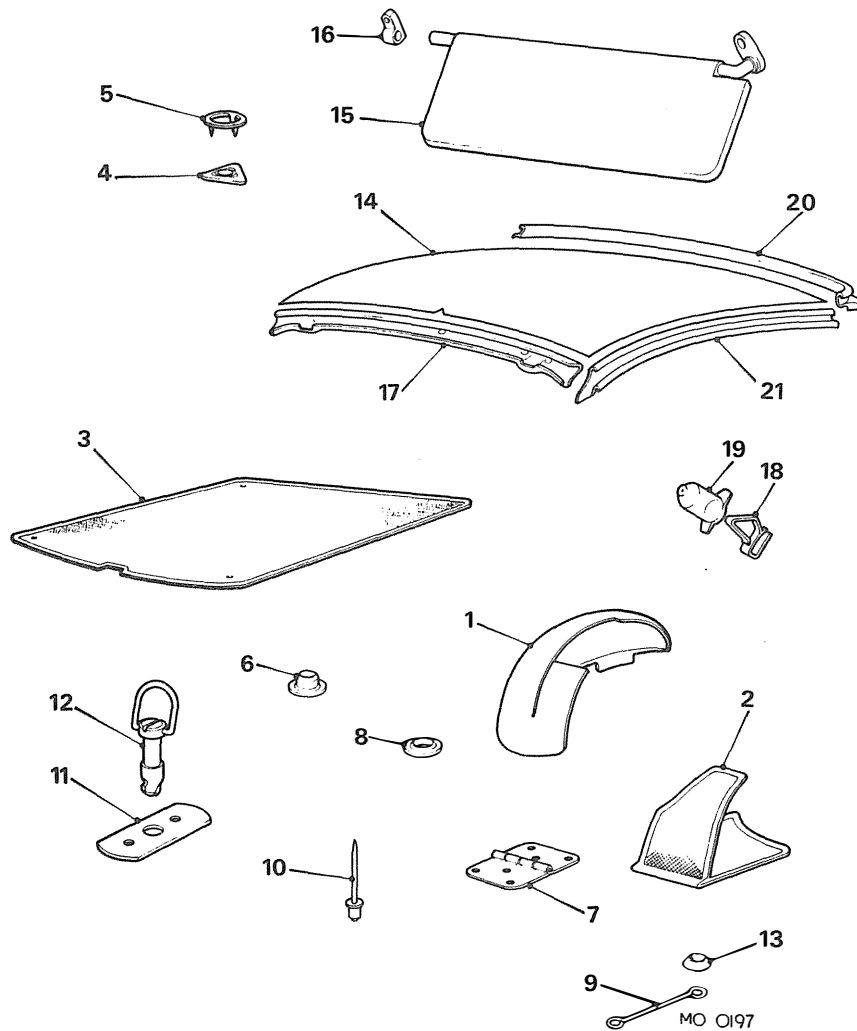
CARPETS-GT-continued

CARPET ASSEMBLY-LUGGAGE FLOOR

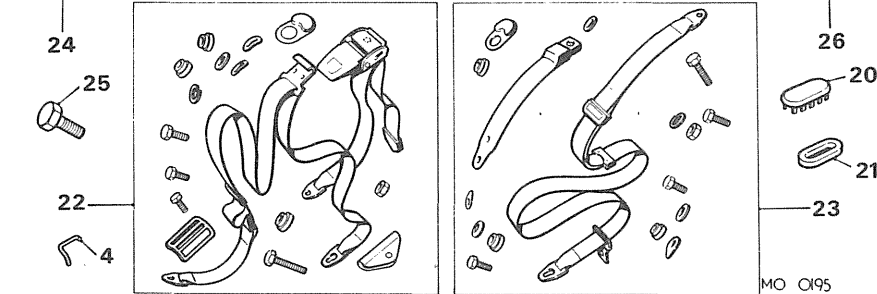
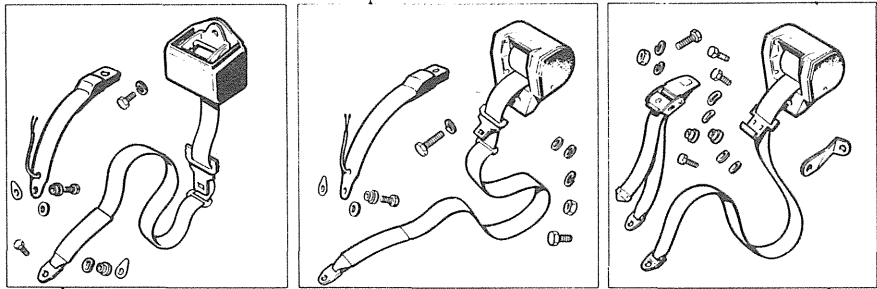
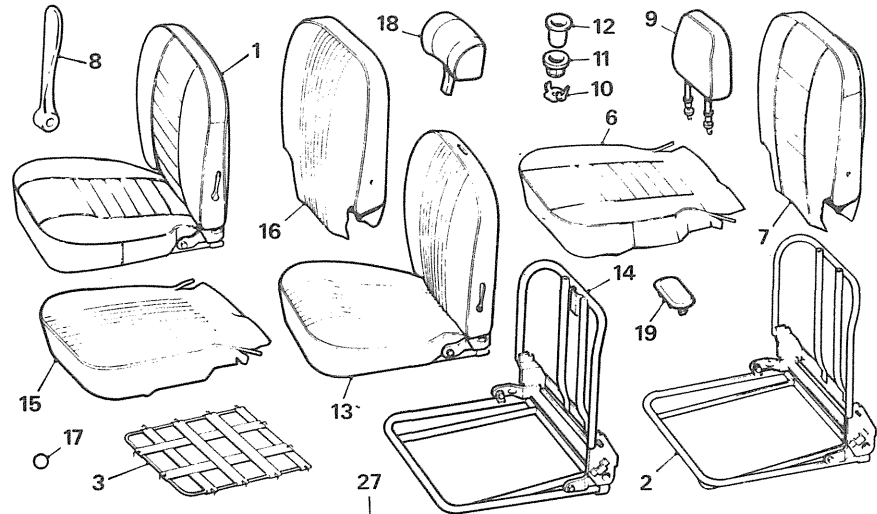
3	AHH 8410	Blue	NLA		
3	AHH 9712	Black	1		
3	AHH 9713	Brown	1		
3	KGK 9306	Autumn Leaf	NLA	(C)G-HD5-219001 TO 258000	Use XGK 2071
3	XGK 2071	Autumn Leaf	1	(C)G-HD5-258001 TO 296000	
3	XGN 2914	Navy \$	1		
3	XGT 2914	Ochre \$	1		
	XGA 2914	Black \$	1		
	XGK 2914	Autumn Leaf \$	1	(C)G-HD5-328801 ON	
4	2H 8445	Socket-fastener	A/R	(C)G-D2D1-(+) ON	
5	14G 8736	Ring-spiked	A/R		
6	ADB 4811	Fastener-dot	A/R		
	AC 606041	Screw-fastener	A/R		
7	AHH 7527	Hinge-luggage floor-rear	NLA		
	PMZ 308	Screw-hinge	9		
	WL 700101	Washer-spring	9		
	SF 604101	Screw-luggage floor-front	6		
8	ACA 5374	Washer-cup	6		
9	BHA 4539	Fastener-spring	2		
10	DMP 829	Rivet-pop	2		
11	AHH 7552	Plate-stud-luggage floor	NLA		
	AB 606031	Screw-plate	4		
12	BHA 4537	Fastener-Dzus-rear luggage floor	2		
13	BHA 4538	Grommet-fastener	2		

MGB

MGB-TOURER,GT AND V8-UP TO SEPTEMBER 1976



Ill. No.	Part No.	DESCRIPTION	Qty.	Change Point	REMARKS	
ROOF LINING-SUN VISOR-GT						
LINING-ROOF						
14	AHH 8943	Beige	NLA			
14	AHH 9537	Grey \$	1			
VISOR-SUN						
15	AHH 8307	Grey \$	2	(B)GBD-101 TO 21777] Except N.America Use BHA 906	
15	AHH 9616	Grey \$	NLA	(C)G-HD4-139472 TO 158230		
15	BHH 906	Grey \$	2	(C)G-HD4-158231 TO 187840		
15	BHH 1406	Grey \$	2	(C)G-HD5-187841 TO 296000		
	RMP 310	Screw-visor	2	(C)G-HD5-296001 TO 361015		
16	AHH 7458	Retainer-visor	2	(C)G-D2D1-101 TO 1954		
16	AHH 9251	Retainer-visor \$	2	(C)G-HD5-361016 ON		
	RTP 605	Screw-bracket	2	(C)G-D2D1-1955 ON		
LINER-REAR HEADER RAIL						
17	AHH 8225	Beige	NLA	(C)G-HD3-71933 TO 138400] Use X2J 2905
17	AHH 8224	Grey	NLA	(C)G-HD4-139472 TO 158230		
17	AHH 9462	Grey	NLA	(C)G-HD4-158231 TO 187840		
17	X2J 2905	Grey \$	NLA	(C)G-HD5-187841 TO 296000		
18	13H 201	Clip-liner	6	(C)G-HD5-296001 ON		
19	14G 6728	Cup-flanged-liner	6	(C)G-D2D1-101 ON		
20	AHH 9512	Capping-windscreen header rail-Grey \$	1	(C)G-HD3-71933 TO 138400] (C)G-HD4-139472 TO 158230	
21	AHH 8148	Capping-cantrail-RH-Grey	NLA	(C)G-HD4-158231 TO 187840		
20	AHH 8149	Capping-cantrail-LH-Grey	NLA	(C)G-HD5-187841 ON		
21	AHH 9514	Capping-windscreen header Rail-Grey \$	1	(C)G-D2D1-101 ON		
21	AHH 9515	Capping-cantrail-RH-Grey \$	1	(C)G-D2D1-101 ON		

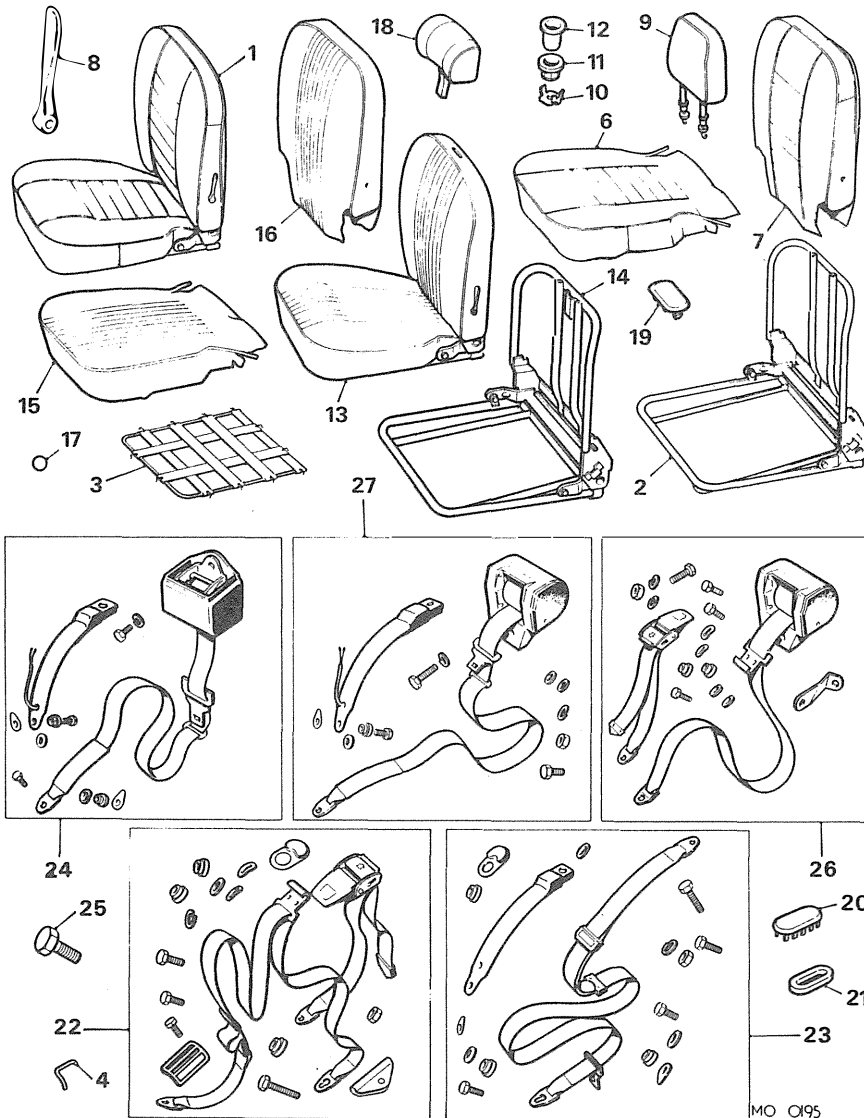


MO C195

Ill. No.	Part No.	DESCRIPTION	Qty.	Change Point	REMARKS
RECLINING FRONT SEATS.					
SEAT ASSEMBLY-FRONT RECLINING					
13	K2A 11	Black-RH \$	NLA	(C)G-HN5-187211	
	K2A 12	Black-LH \$	NLA	TO 209783	
				(C)G-HD5-187841 TO	
				207649	
13	K2A 464	Black-RH \$	NLA	(C)G-HN5-209784	
	K2A 465	Black-LH \$	NLA	TO 258000	
				(C)G-HD5-207650 TO	
				258000	
13	K2K 464	Autumn Leaf-RH \$	NLA	(C)G-HN5/G-HD5-	
	K2K 465	Autumn Leaf-LH \$	NLA	219001 TO 258000	
13	X2K 2244	Autumn Leaf-RH \$	NLA	(C)G-HN5-258001 ON	Tourer.
	X2K 2237	Autumn Leaf-LH \$	1		
	X2N 2248	Navy-LH \$	NLA		GT.
13	X2K 2242	Autumn Leaf-RH \$	NLA	(C)G-HD5-258001 ON	
	X2K 2246	Autumn Leaf-LH \$	NLA	(C)G-D2D1-101 ON	
13	X2N 2242	Navy-RH \$	NLA		
	X2N 2246	Navy-LH \$	NLA		
2	AHH 9290	Frame-RH	NLA	(C)G-HN4-158371	
	AHH 9291	Frame-LH	NLA	TO 187210	
				(C)G-HD4-158231	
				TO 187840	
14	AHH 9938	Frame-RH \$	NLA	(C)G-HN5-187211	
	AHH 9939	Frame-LH \$	NLA	TO 209783	
				(C)G-HD5-187841 TO	
				207649	
14	BHH 343	Frame-RH \$	1	(C)G-HN5-209784 ON	
	BHH 344	Frame-LH \$	1	(C)G-HD5-207650 ON	
				(C)G-D2D1-101 ON	
4	BHA 5097	Hook-diaphragm \$	20		
3	BHH 580	Webbing-seat-cushion \$	2		
	BHH 922	Pad-cushion-RH \$	1		
	BHH 923	Pad-cushion-LH \$	1		
	BHH 1398	Pad-squab \$	2		

\$ This item is subject to safety regulations.

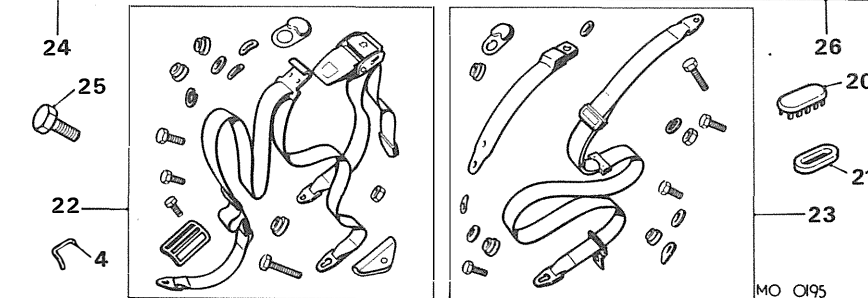
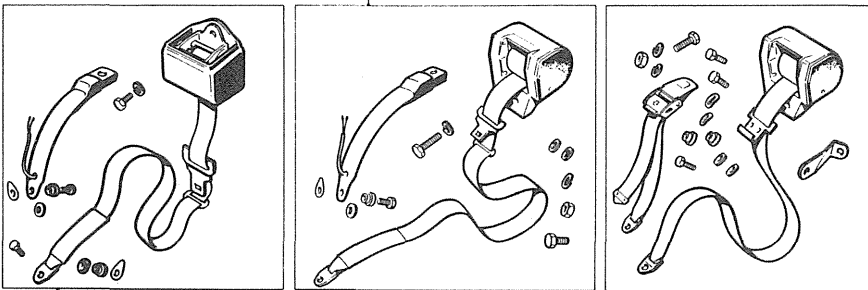
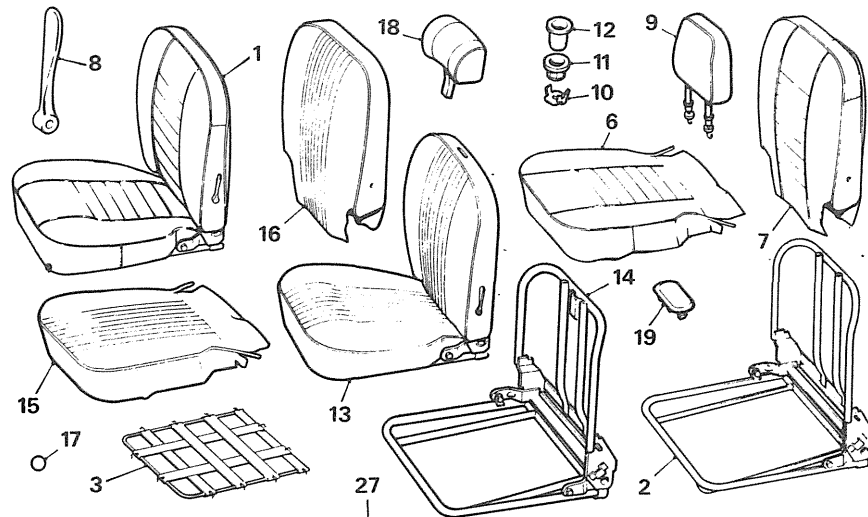
MGB



MGB-TOURER,GT AND V8-UPTO SEPTEMBER 1976

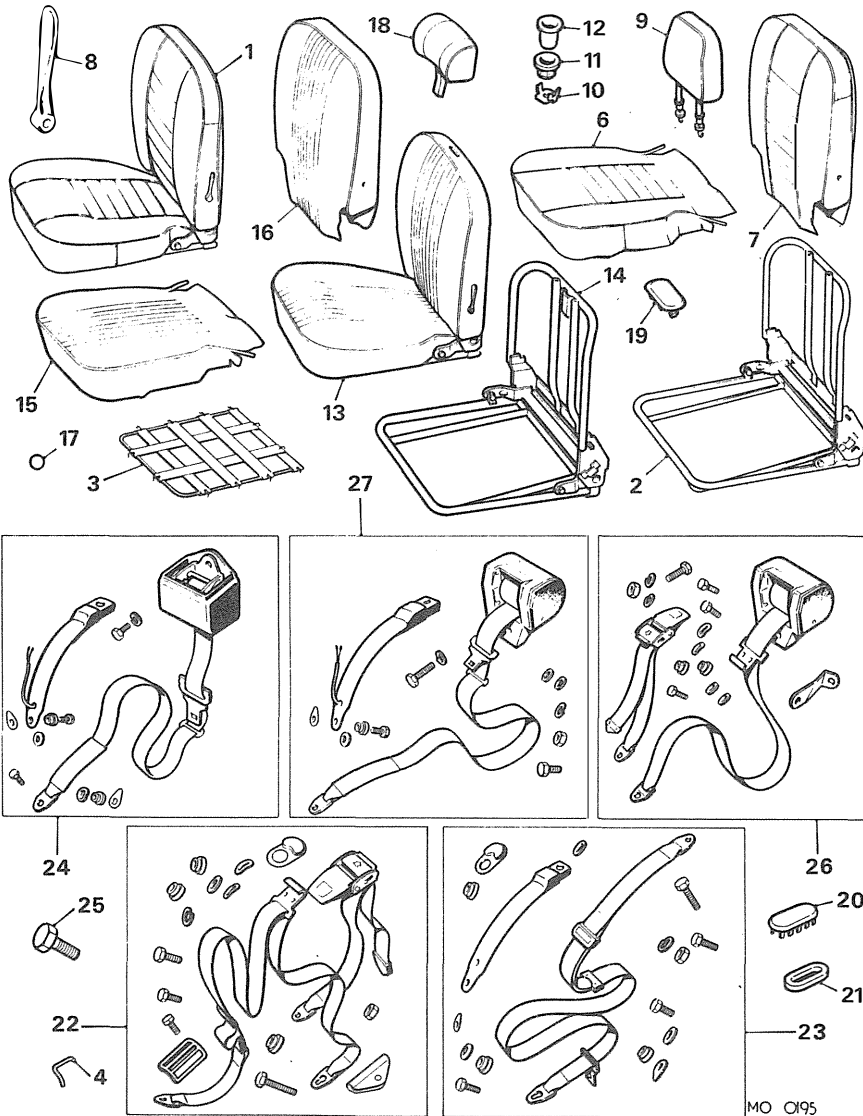
Ill. No.	Part No.	DESCRIPTION	Qty.	Change Point	REMARKS
RECLINING FRONT SEATS-continued.					
COVER CUSHION					
6	AHH 9683	Black-RH.....	NLA	(C)G-HN4-158371 TO 187210	Tourer.
	AHH 9684	Black-LH.....	1		
15	K2A 17	Black-RH.....	NLA	(C)G-HD4-158231 TO 187840	
	K2A 18	Black-LH.....	NLA		
15	K2K 17	Autumn Leaf-RH.....	NLA	(C)G-HN5-187211 TO 258000	
	K2K 18	Autumn Leaf-LH.....	1		
15	K2N 17	Navy-RH.....	1	(C)G-HD5-187841 TO 258000	
	K2N 18	Navy-LH.....	1		
15	X2T 2998	Ochre-RH.....	1	(C)G-HN5-258001 TO 294250	
	X2T 2999	Ochre-LH.....	1		
15	X2N 2998	Navy-RH.....	1	(C)G-HN5-294251 TO 328100	
	X2N 2999	Navy-LH.....	1		
15	X2A 2998	Black-RH \$.....	NLA	(C)G-HN5-328101 TO 351868	
	X2A 2999	Black-LH \$.....	1		
15	X2K 2998	Autumn Leaf-RH \$.....	1	(C)G-HN5-351869 ON	
	X2K 2999	Autumn Leaf-LH \$.....	1		
15	X2A 3419	Black-RH.....	1	(C)G-HD5-258001 TO 296000	
	X2A 3420	Black-LH.....	1		
15	X2K 3419	Autumn Leaf-RH.....	1	(C)G-HD5-296001 TO 328800	
	X2K 3420	Autumn Leaf-LH.....	1		
15	X2N 2044	Navy-RH.....	1	(C)G-D2D1-101 TO(+)	
	X2N 2045	Navy-LH.....	1		
15	X2K 2044	Autumn Leaf-RH.....	NLA	(C)G-HD5-328801 ON (C)G-D2D1-(+) ON	
	X2K 2045	Autumn Leaf-LH.....	NLA		
15	X2T 2987	Ochre-RH.....	1	(C)G-HD5-296001 TO 328800	
	X2T 2988	Ochre-LH.....	1		
15	X2N 2987	Navy-RH.....	1	(C)G-D2D1-101 TO(+)	
	X2N 2988	Navy-LH.....	1		
15	X2A 2987	Black-RH \$.....	1	(C)G-HD5-328801 ON (C)G-D2D1-(+) ON	
	X2A 2988	Black-LH \$.....	1		
15	X2K 2987	Autumn Leaf-RH \$.....	1	(C)G-D2D1-(+) ON	
	X2K 2988	Autumn Leaf-LH \$.....	1		

\$ This item is subject to safety regulations.(+) Change point not available.



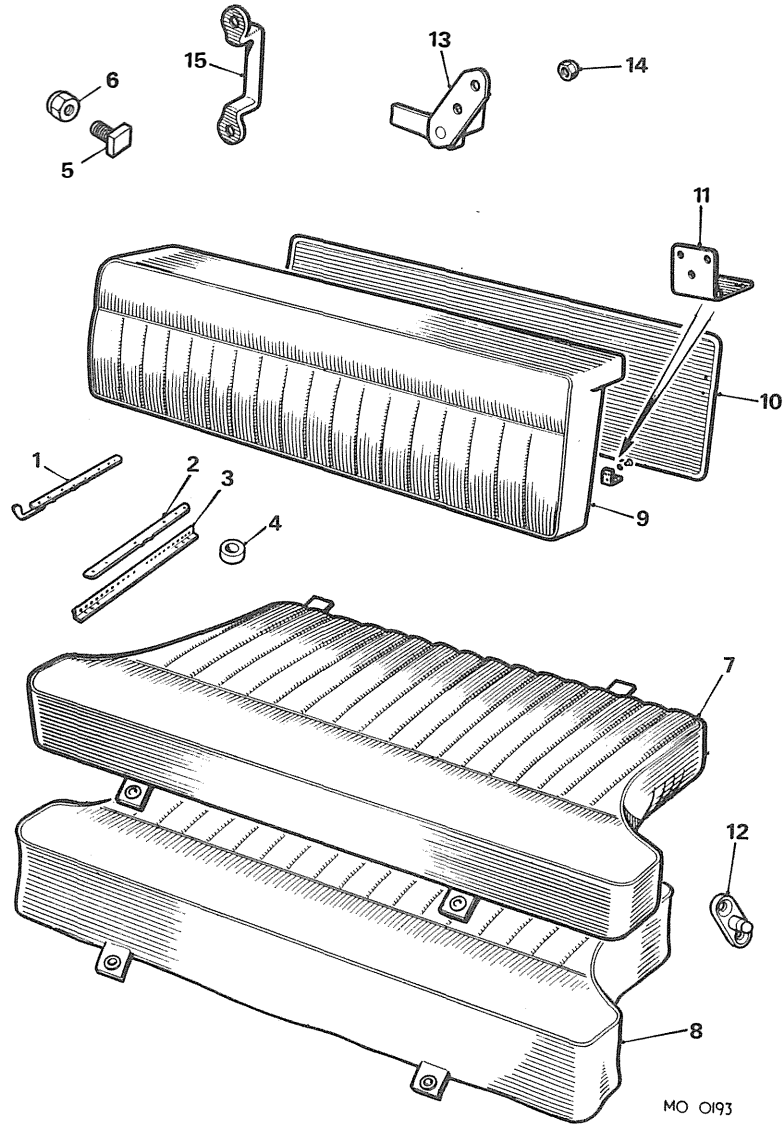
Ill. No.	Part No.	DESCRIPTION	Qty.	Change Point	REMARKS
RECLINING FRONT SEATS-continued.					
COVER-SQUAB					
7	AHH 9705	Black.....	NLA] (C)G-HN4-158371 TO 187210	GT.
7	AHH 9706	Mushroom.....	NLA		
16	K2A 16	Black.....	2] (C)G-HN5-187211 TO 258000	
16	K2K 16	Autumn Leaf.....	NLA		
16	X2T 3350	Ochre.....	NLA] (C)G-HN5-328101 TO 351868	Tourer.
16	X2N 3350	Navy.....	2		
16	X2A 3350	Black \$.....	2] (C)G-HN5-328101 TO 351868	
16	X2K 3350	Autumn Leaf \$.....	2		
16	X2A 3421	Black.....	2] (C)G-HD5-258001 TO 296000	GT.
16	X2K 3421	Autumn Leaf.....	2		
16	X2K 2041	Autumn Leaf.....	NLA] (C)G-HD5-328801 ON 328800	
16	X2N 2041	Navy.....	NLA		
16	X2T 2984	Ochre.....	2] (C)G-HD5-328801 ON 328800	
16	X2N 2984	Navy.....	2		
16	X2A 2984	Black \$.....	2] (C)G-D2D1-(+) ON	
16	X2K 2984	Autumn Leaf \$.....	2		
8	24B 4057	Handle-adjusting \$.....	2		
	54K 205	Screw-handle.....	2		
17	24K 6809	Knob-squab lever.....	2		
RESTRAINT-HEAD					
9	AHH 9679	Black \$.....	NLA] (C)G-HN4-158371 TO 187210	N.America.
9	AHH 9680	Mushroom-GT \$.....	NLA		
18	K2A 301	Black \$.....	2] (C)G-HN5-209784 TO 258000	
18	GLZ 131	Ochre \$.....	2] (C)G-HN5-369475 ON	
18	GLZ 127	Navy \$.....	2		
18	GLZ 135	Black \$.....	2] (C)G-D2D1-2199 ON	
18	GLZ 133	Autumn Leaf \$.....	2		
19	BHA 4985	Plug-head restraint aperture-Black.....	2		
19	AHA 9779	Plug-head restraint aperture-Autumn Leaf.....	2		
19	XGT 1953	Plug-head restraint aperture-Ochre.....	2		
19	XGN 1953	Plug-head restraint aperture-Navy.....	2		
	CZA 4713	Roller-friction-head restraint.....	2	Use prior to CZH 2889	
	CZH 2889	Roller-friction-head restraint.....	2	(C)G-HN5-369475 ON	
				(C)G-HD5-369694 ON	
				(C)G-D2D1-2199 ON	
20	CZA 4500	Eyelet-head restraint.....	2] (C)G-HN4-158371 TO 187210	N.America.
21	CZA 4263	Washer-finisher-head restraint.....	2		
10	AHH 9711	Clip-retaining-restraint \$.....	NLA		
11	AHH 9441	Bush-friction \$.....	4		
12	AHH 9295	Sleeve-finishing.....	NLA		

\$ This item is subject to safety regulations.(+) Change point not available.

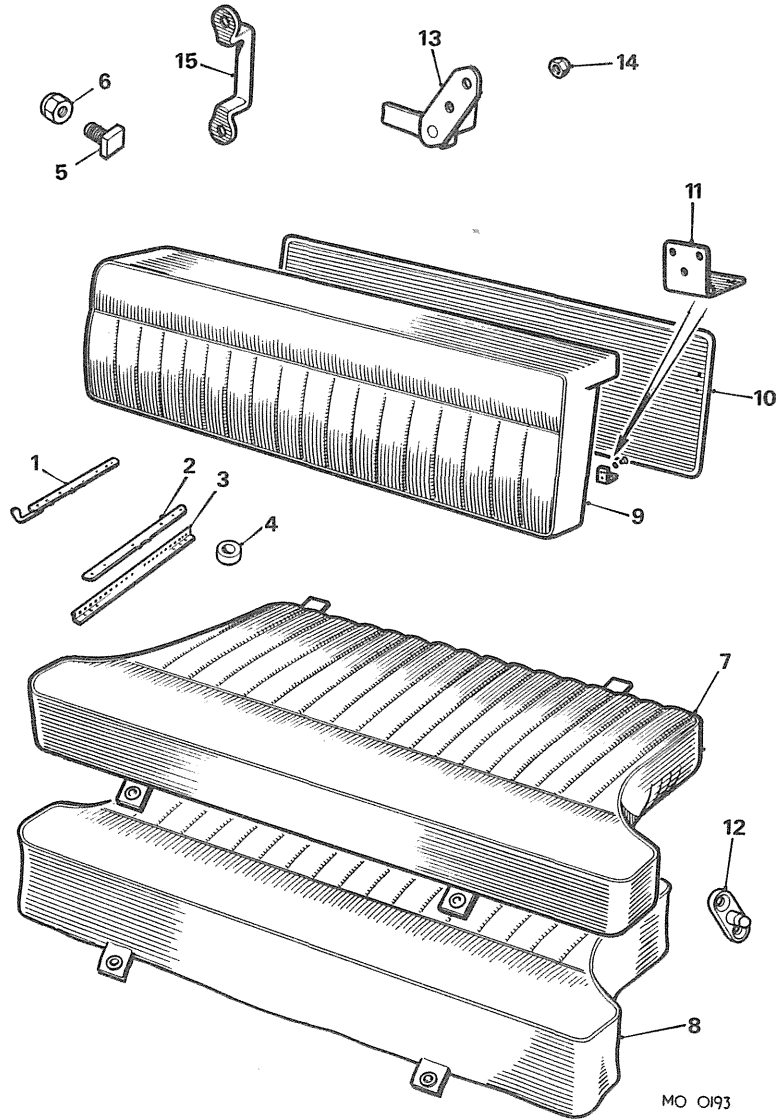


Ill. No.	Part No.	DESCRIPTION	Qty.	Change Point	REMARKS
SEAT BELTS.					
22	BHH 525	Kit-seat belt-static(Kangol) \$	1SET	Use prior to 18G 9113	
	18G 9113	Belt-seat-static-Kangol-2032cm(80") \$	1	(C)G-HN5-283190 ON	
	18G 9114	Belt-seat-static-Kangol-2286cm(90") \$	1	(C)G-HD5-282420 ON	
26	BHH 373	Kit-seat belt-RH-Automatic (Kangol) \$	1	(C)G-HD5-23392 TO 317928	GT-Optional extra Home market only.
	AHH 9649	Kit-seat belt-LH-Automatic (Kangol) \$	1		
	BHH 1330	Kit-seat belt-RH-Automatic (Kangol) \$	1	(C)G-HD5-317929 ON	GT-Optional extra Home market only.
	BHH 1331	Kit-seat belt-LH-Automatic (Kangol) \$	1	(C)G-D2D1-101 ON	
24	BHH 721	Belt-seat set-Automatic(Kangol) \$	2	(C)G-HN5-268080 TO 328100	Tourer for N.America.
	BHH 1507	Belt-seat set-Automatic(Kangol) \$	2	(C)G-HN5-328101 TO 372612	
	BHH 1807	Belt-seat set-RH-Automatic (Kangol) \$	1	(C)G-HN5-372613 ON	Tourer for N.America.
	BHH 1507	Belt-seat set-LH-Automatic (Kangol) \$	1		
25	24K 6821	Plug-belt-fixing in tonneau	2	(C)G-HN5-268080 ON	GT for N.America.
27	BHH 720	Belt-seat-complete-Automatic (Kangol) \$	2	(C)G-HD5-268489 TO 328800	
	18G 9121	Kit-seat belt-Automatic (Kangol)-RH \$	1	(C)G-HD5-328801 TO 367803	GT for N.America.
	18G 9122	Kit-seat belt-Automatic (Kangol)-LH \$	1		
	BHM 558	Kit-button-seat belt release	1		N.America.
	AAU 3247	Tongue-stop-seat belt	2	(C)G-HN5-267580 TO 328100	
	BHA 5140	Sensor-seat \$	1	(C)G-HD5-268281 TO 328800	N.America.
	BHA 5274	Sensor-seat \$	2	(C)G-HN5-328101 TO 372612	
	13H 9801	Unit-control-sequential seat belt \$	1	(C)G-HD5-328801 TO 367803	Tourer for N.America.
	AAU 1110	Unit-buzzer-time delay \$	1	(C)G-HN5-372613 ON	
	BHH 938	Cover-parking-seat belt \$	2	(C)G-HN5/G-HD5-273879 ON	Tourer for N.America.
	AB 610061	Screw-parking cover	4	(C)G-D2D1-101 ON	

\$ This item is subject to safety regulations.

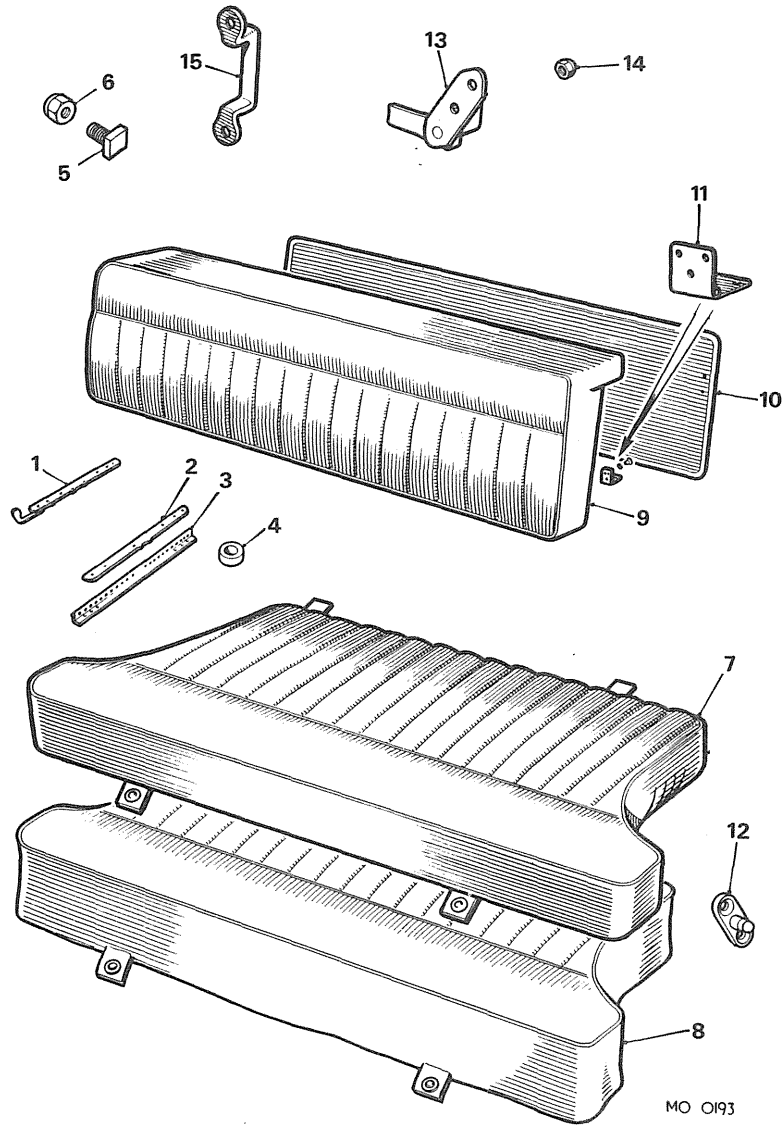


Ill. No.	Part No.	DESCRIPTION	Qty.	Change Point	REMARKS
SEAT SLIDE AND REAR CUSHION.					
1	BHH 687	Slide-seat catch-RH \$	1		
	BHH 688	Slide-seat catch-LH \$	1		
2	BHH 719	Slide-seat-catch \$	2		
	SF 604101	Screw	8		
	12H 1062	Piece-distance	1		
	WA 106041	Washer-plain	8		
	LNZ 204	Locknut	8		
3	BHH 741	Rail-floor rack-RH	2		
	BHH 742	Rail-floor rack-LH	2		
	SH 604061	Screw	8		
	LWZ 404	Washer-shakeproof	8		
4	AHH 6939	Spacer-rail	8		
5	AHH 8893	Stud-stop-LH seat slide	1		} N.America.
6	53K 1420	Nut(nylon)	1		
	NLA	Cushion-rear compartment	NLA		} Tourer.
12	LFP 116	Peg-fastener	4		
	RTP 604	Screw	8		



MO 0193

Ill. No.	Part No.	DESCRIPTION	Qty.	Change Point	REMARKS
SEAT-REAR-GT.					
CUSHION ASSEMBLY-REAR SEAT					
7	AHH 7991	Blue with Blue piping	NLA		
7	AHH 9685	Black	1	(C)G-HD4-158231	
7	AHH 9686	Mushroom	NLA	TO 187840	
7	K2A 67	Black	1	(C)G-HD5-187841	
7	K2K 67	Autumn Leaf	NLA	TO 258000	
7	X2K 2052	Autumn Leaf	NLA	(C)G-HD5-219001	
				TO 258000	
				(C)G-HD5-258001	
				TO 296000	
COVER-CUSHION					
8	AHH 8023	Black with Blue piping	NLA		
8	AHH 9687	Black	NLA	(C)G-HD4-158231	
8	AHH 9688	Mushroom	NLA	TO 187840	
8	K2A 1	Black	NLA	(C)G-HD5-187841	
				TO 258000	
8	K2K 1	Autumn Leaf	NLA	(C)G-HD5-219001	
				TO 258000	
8	X2K 2053	Autumn Leaf	1	(C)G-HD5-258001	
8	X2N 2053	Navy	NLA	TO 296000	
8	X2T 2993	Ochre \$	1	(C)G-HD5-296001	
8	X2N 2993	Navy \$	1	TO 328800	
				(C)G-D2D1-101 TO(+)	
8	X2A 2993	Black \$	1	(C)G-HD5-328801 ON	
8	X2K 2993	Autumn Leaf \$	1	(C)G-D2D1-(+)ON	



Ill. No.	Part No.	DESCRIPTION	Qty.	Change Point	REMARKS
SEAT-REAR-GT-continued.					
SQUAB ASSEMBLY-REAR SEAT					
9	AHH 7946	Black with Red piping	1		
9	AHH 7950	Black with White piping	1		
9	AHH 7948	Black with Blue piping	1		
9	AHH 7947	Red with Black piping	1		
9	AHH 7951	Red with White piping	1		
9	AHH 7949	Blue	1		
9	AHH 9689	Black	NLA	(C)G-HD4-158231	
9	AHH 9690	Mushroom	NLA	TO 187840	
9	K2A 68	Black	NLA	(C)G-HD5-187841	
				TO 258000	
9	K2K 68	Autumn Leaf	NLA	(C)G-HD5-219001	Use X2K 2211
				TO 258000	
9	X2K 2211	Autumn Leaf	NLA	(C)G-HD5-258001 ON	
9	X2N 2211	Navy	NLA	(C)G-D2D1-101 ON	
COVER-SQUAB					
	X2N 2994	Navy \$	1		
	X2T 2994	Ochre \$	1		
	X2A 2994	Black \$	1		
	X2K 2994	Autumn Leaf \$	1		
CARPET-REAR SQUAB					
10	AHH 8074	Red	1		
10	AHH 8075	Blue	1		
11	AHH 7527	Hinge-squab to floor	NLA		Use prior to BHH 976
	BHH 976	Hinge-squab to floor	2		(C)G-HD5-331127 ON
					(C)G-D2D1-754 ON
	PMZ 308	Screw-hinge	6		
	WL 700101	Washer-spring	6		
12	LFP 116	Fastener-cushion	4		
	AD 606041	Screw	8		
13	AHH 7740	Catch-rear squab	2		
	PMZ 307	Screw	4		
	WL 700101	Washer-spring	4		
14	14B 7889	Nut-dome	4		
15	AHH 7770	Staple-securing	NLA		
	PWZ 103	Washer-plain	A/R		

MGB

MGB-TOURER,GT AND V8-UPTO SEPTEMBER 1976

Ill. No.	Part No.	DESCRIPTION	Qty.	Change Point	REMARKS
BULK MATERIALS.					
LEATHERCLOTH-1270mm(50")WIDE					
	1KL 1103 M	Black.....	NLA		Supplied in MULTIPLES OF metres(39.37").
	1KL 1113 M	Black.....	NLA	Use prior to	
	1KL 1115 M	Black.....	A/R	1KL 1115 M	
	1BL 116 M	Black.....	NLA	(C)G-HN4-158371 TO	
	1KL 3636 M	Autumn Leaf.....	NLA	187210	
	1KL 5329 M	Navy.....	A/R	(C)G-HN5-187211 TO	
	1AL 706 M	Ochre.....	A/R	258000	
	AHH 7357	Piping-cockpit moulding-Red-Tourer	A/R		
	37H 4314 M	CARPET MATERIAL-1016mm(40") WIDE			
	AHH 9418 M	Black.....	A/R	Use prior to	
		Black.....	NLA	AHH 9418 M	
				(C)G-HN4-(+) TO	
				158370	
				(B)GBD-22443 and	
				GBUD-502009 TO	
				(C)G-HD4-158230	
	AHH 9423 M	Brown-felt-backed-GT	NLA		
	AKE 5620 M	Autumn Leaf.....	A/R		
	AKE 5621 M	Navy.....	A/R		
	AKE 5643 M	Ochre.....	A/R		

ILLUSTRATION NOT USED