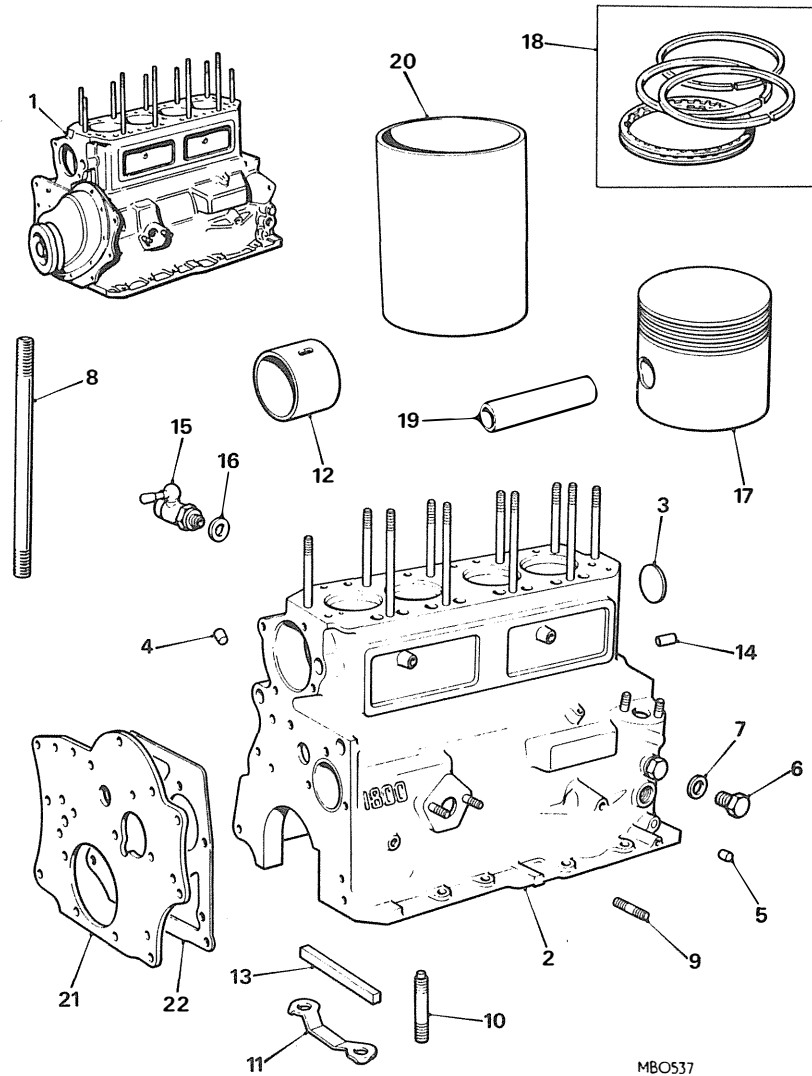


Ill. No.	Part No.	DESCRIPTION	Qty.	Change Point	REMARKS
ENGINE UNIT-1800cc, 18G AND 18GA					
48G 279		ENGINE UNIT-STRIPPED-HC	NLA		(E)18G.
48G 343		ENGINE UNIT-STRIPPED-HC	NLA		(E)18GA.
48G 280		ENGINE-UNIT-STRIPPED-LC	NLA		(E)18G.
48G 344		ENGINE UNIT-STRIPPED-LC	NLA		(E)18GA.
1	48G 277 N	ENGINE UNIT-HALF-HC	NLA		
	48G 278	ENGINE UNIT-HALF-LC	NLA		
2	48G 275	BLOCK ASSEMBLY-CYLINDER-HC	1		
	48G 276	BLOCK ASSEMBLY-CYLINDER-LC	NLA		
3	2K 8169	Plug-welch-large	4		
4	12H 1735	Plug-crankcase oil gallery	2		
	12H 1736	Plug-taper-crankcase oil hole	2		
5	6K 899	Plug-oil relief valve vent hole	2		
4	11G 14	Plug-chain tensioner oil feed	1		
6	53K 2853	Plug-oil hole-screwed	1		
7	6K 638	Washer-screwed plug	1		
8	51K 245	Stud-cylinder head-long	4		
	51K 246	Stud-cylinder head-short	7		
	51K 267	Stud-oil pump-short	3		
9	53K 257	Stud-crankcase vent pipe clip	2		
	53K 2171	Stud-tachometer spindle housing	2		
10	51K 1482	Stud-main bearing cap	NLA		
11	ACA 5521	Washer-main bearing cap	6		
	LNN 208	Nut	6		
12	8G 2176	Liner-camshaft bearing	1SET		
13	12H 1638	Gasket-front and rear main bearing cap	2		
14	1K 51	Dowel-gearbox mounting plate	2		
14	12A 1344	Dowel-water pump	NLA		
15	3H 576	Tap-drain-cylinder block	1		
16	2K 4954	Washer-drain tap	1		
	2K 4975	Washer-drain tap	1		

] Alternatives



MBO537

Ill. No.	Part No.	DESCRIPTION	Qty.	Change Point	REMARKS
----------	----------	-------------	------	--------------	---------

ENGINE UNIT-1800cc,18G AND 18GA-continued

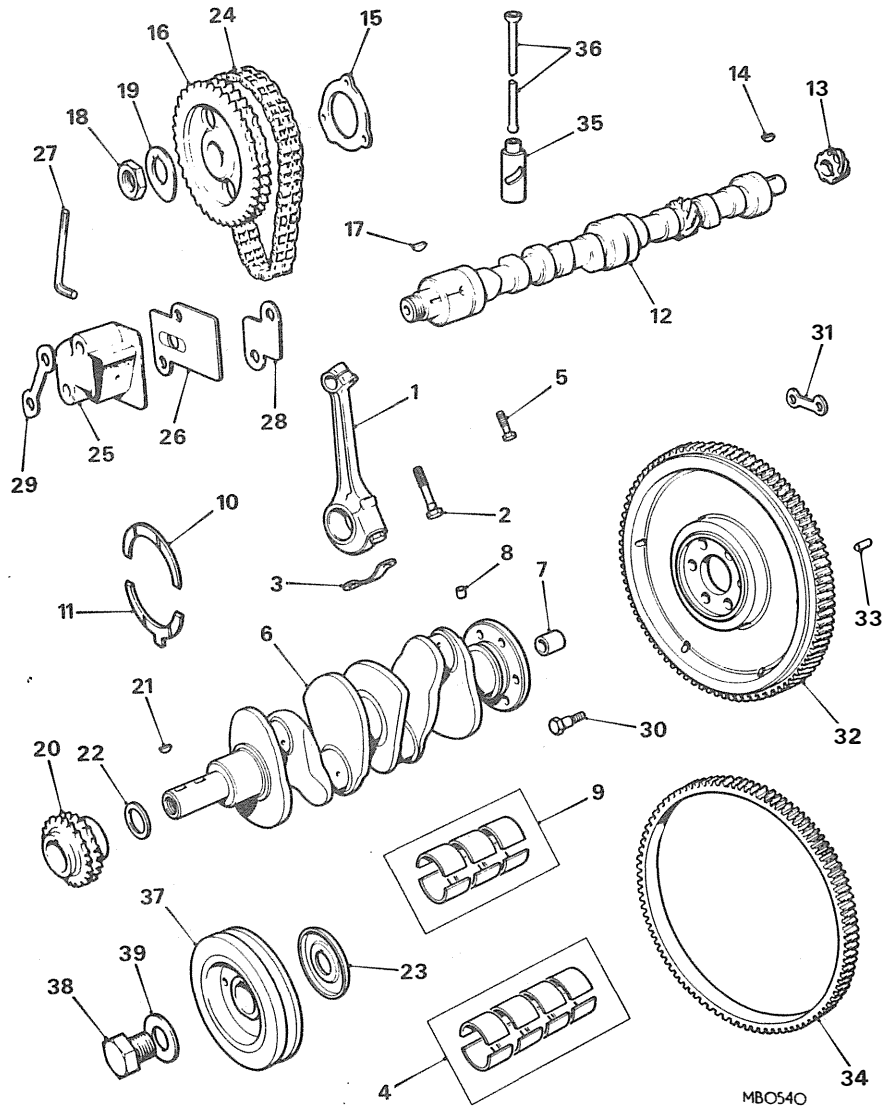
PISTON ASSEMBLY- GRADE 3-HC					
17	12H 961 3	Standard	4		
17	12H 961 23	.020"(.508mm)O/S	4		
PISTON ASSEMBLY- GRADE 3-LC					
17	12H 959 23	.020"(.508mm)O/S	4		
17	12H 959 33	.030"(.762mm)O/S	4		
PISTON ASSEMBLY- GRADE 6-LC					
17	12H 959 16	.010"(.254mm)O/S	4		
17	12H 959 26	.020"(.508mm)O/S	4		
17	12H 959 36	.030"(.762mm)O/S	4		
17	12H 959 46	.040"(1.016mm)O/S	4		
RING-PISTON(ENGINE SET)					
18	8G 2506	Standard	1SET		
18	8G 2506 10	.010"(.254mm)O/S	1SET		
18	8G 2506 20	.020"(.508mm)O/S	1SET		
18	8G 2506 40	.040"(1.016mm)O/S	1SET		
19	12H 765	Pin-gudgeon.....	4		
20	12H 888	Liner-cylinder.....	4		
21	12H 1387	Plate-engine mounting-front	1		
22	12H 1576	Gasket-mounting plate.....	1		
	HZS 506	Screw	3		
	LWN 305	Washer-spring	3		
	HZS 508	Bolt	1		
	FNZ 105	Nut.....	1		

Service purposes only

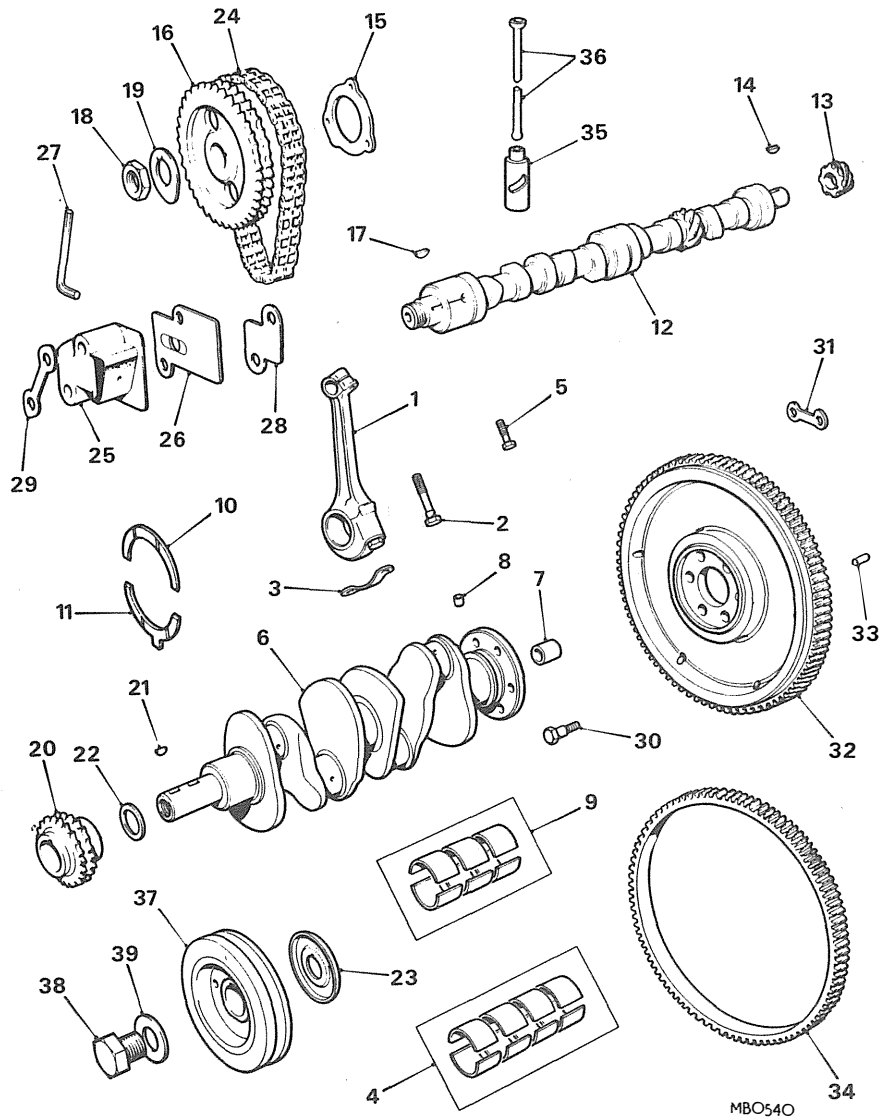
Ill. No.	Part No.	DESCRIPTION	Qty.	Change Point	REMARKS
----------	----------	-------------	------	--------------	---------

ENGINE UNIT-1800cc,18G AND 18GA-continued

1	12H 998	ROD ASSEMBLY-CONNECTING- No.1 and No.3.....	NLA		
1	12H 997	ROD ASSEMBLY-CONNECTING- No.2 and No.4.....	NLA		
2	12H 1000	Screw	8		
3	6K 881	Washer-lock	4		
BEARING CONNECTING ROD					
4	8G 2207	Standard	1SET		
4	8G 2207 10	.254mm(.010")U/S.....	1SET		
4	8G 2207 20	.508mm(.020")U/S.....	1SET		
4	8G 2207 30	.762mm(.030")U/S.....	1SET		
4	8G 2207 40	1.016mm(.040")U/S.....	1SET		
5	51K 1774	Screw	4		
	LWN 305	Washer-spring	4		
6	12H 753	CRANKSHAFT ASSEMBLY.....	1		
7	1G 765	Bush-1st motion shaft	1		
8	1G 1167	Plug.....	4		
BEARING-MAIN					
9	8G 2343	Standard	1SET		
9	8G 2343 10	.254mm(.010")U/S.....	1SET		
9	8G 2343 20	.508mm(.020")U/S.....	1SET		
9	8G 2343 30	.762mm(.030")U/S.....	1SET		
9	8G 2343 40	1.016mm(.040")U/S.....	NLA		
10	12B 120	Washer-thrust-upper	2		
10	12B 120 3	Washer-thrust-upper- .076mm(.003")O/S.....	2		
10	12B 121	Washer-thrust-lower	2		
10	12B 121 3	Washer-thrust-lower- .076mm(.003")O/S.....	2		
12	88G 252	Camshaft.....	1		
13	1H 730	Gear-tachometer driving	NLA		
14	WKN 304	Key.....	1		
15	11G 136	Plate-camshaft locating.....	1		
	SH 604061	Screw	3		
	LWZ 404	Washer-lock	3		
16	11G 203	Gear-camshaft.....	1		



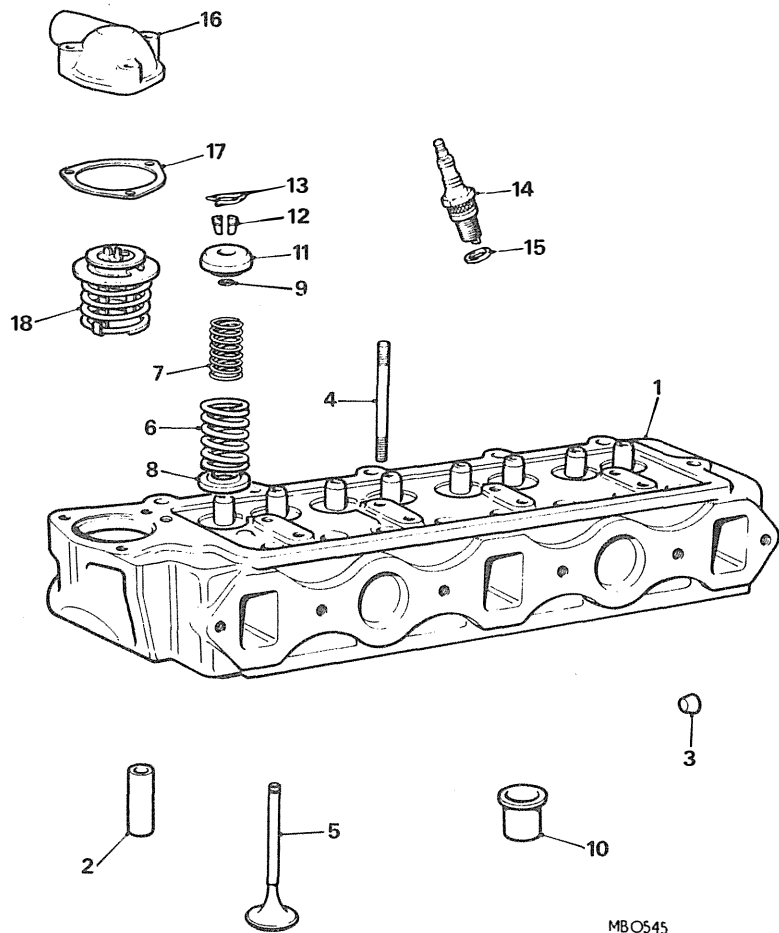
MBO54O



III. No.	Part No.	DESCRIPTION	Qty.	Change Point	REMARKS
ENGINE UNIT-1800cc,18G AND 18GA-continued					
17	WKN 505	Key.....	1		
18	6K 629	Nut-camshaft gear.....	1		
19	2A 759	Washer-locknut.....	1		
20	12A 1553	Gear-crankshaft.....	1		
21	3H 326	Key-crankshaft gear and pulley.....	2		
2	2K 6633	Washer-packing.....	A/R		
23	12H 775	Thrower-oil-front-crankshaft.....	1		
24	2H 4905	Chain-timing.....	1		
25	12H 3292	Tensioner-chain.....	1] Alternatives
25	17H 6680	TENSIONER ASSEMBLY.....	1		
26	17H 31	Slipper head.....	1		Service purposes only
27	17H 6679	Key-Allen.....	1		
28	AEC 339	Gasket-tensioner.....	1		
	HBN 412	Screw.....	2		
29	AEC 340	Washer-lock.....	1		
30	51K 1022	Bolt.....	6		
	6K 26	Washer-lock.....	3		
31	FNZ 506	Nut.....	6		
32	12H 713	FLYWHEEL ASSEMBLY.....	1		
33	1G 2984	Dowel-clutch to flywheel.....	3		
34	1G 2874	Ring-gear-starter.....	1		
35	1H 822	Tappet.....	8		
36	11G 241	Push-rod.....	8] Alternatives in SETS
36	12H 1306	Push-rod.....	8		
37	12H 963	Pulley-crankshaft.....	1		
38	AEA 312	Bolt-pulley retaining.....	1		
39	1G 1319	Washer-lock.....	1		

Ill. No.	Part No.	DESCRIPTION	Qty.	Change Point	REMARKS
----------	----------	-------------	------	--------------	---------

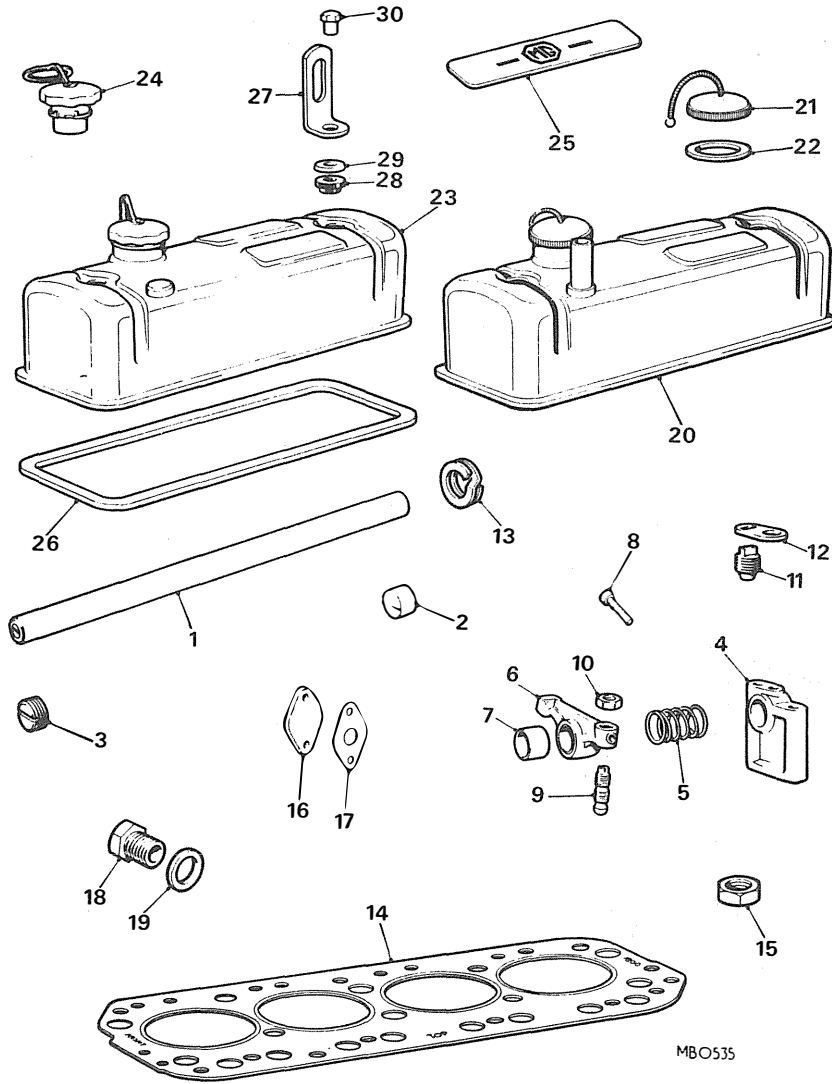
ENGINE UNIT-1800cc,18G AND 18GA-continued



		NSP			
		HEAD ASSEMBLY-CYLINDER			
		(WITH VALVES).....	1		
1	48G 318	HEAD ASSEMBLY-CYLINDER			
		(WITH GUIDES).....	1		
2	12H 2222	Guide-valve-inlet.....	4		
2	12B 1339	Guide-valve-exhaust.....	4		
3	6K 872	Plug-oil hole.....	1		
4	51K 881	Stud-short.....	2		
4	51K 893	Stud-long.....	2		
		CHS 515			
		Stud-water outlet elbow.....	3		
5	12H 435	Valve-inlet.....	4		
5	12H 436	Valve-exhaust.....	4		
6	1H 1111	Spring-valve-outer.....	8		
7	1H 723	Spring-valve-inner.....	8		
8	1H 1321	Collar-valve spring.....	8		
9	AEK 113	Ring-valve packing.....	8		
10	1H 1320	Shroud-valve guide.....	8		
11	1H 1319	Cup-valve spring.....	8		
11	12H 992	Cup-valve spring.....	8		
12	1K 800	Cotter-valve(halves).....	8		
13	1K 372	Circlip-valve cotters.....	8		
		FHS 2513			
		Stud.....	2		
		FHS 2515			
		Stud.....	4		
14	N 9 Y	PLUG ASSEMBLY-SPARKING.....	4		
15	88G 219	Gasket-plug.....	4		
16	12H 797	Elbow-water outlet.....	1		
17	GTG 101	Gasket-elbow.....	1		
		PWZ 105			
		Washer-plain.....	3		
		FNZ 105			
		Nut.....	3		
		THERMOSTAT			
18	GTS 104	82C(180F).....	1		
18	GTS 102	74C(165F).....	1		
18	GTS 106	88C(190F).....	1		

(E)18G/U/101 TO
H4384 and L2814
(E)18G/U/H4385 TO
31121 and L2815
TO 24944

Hot territories
Cold territories



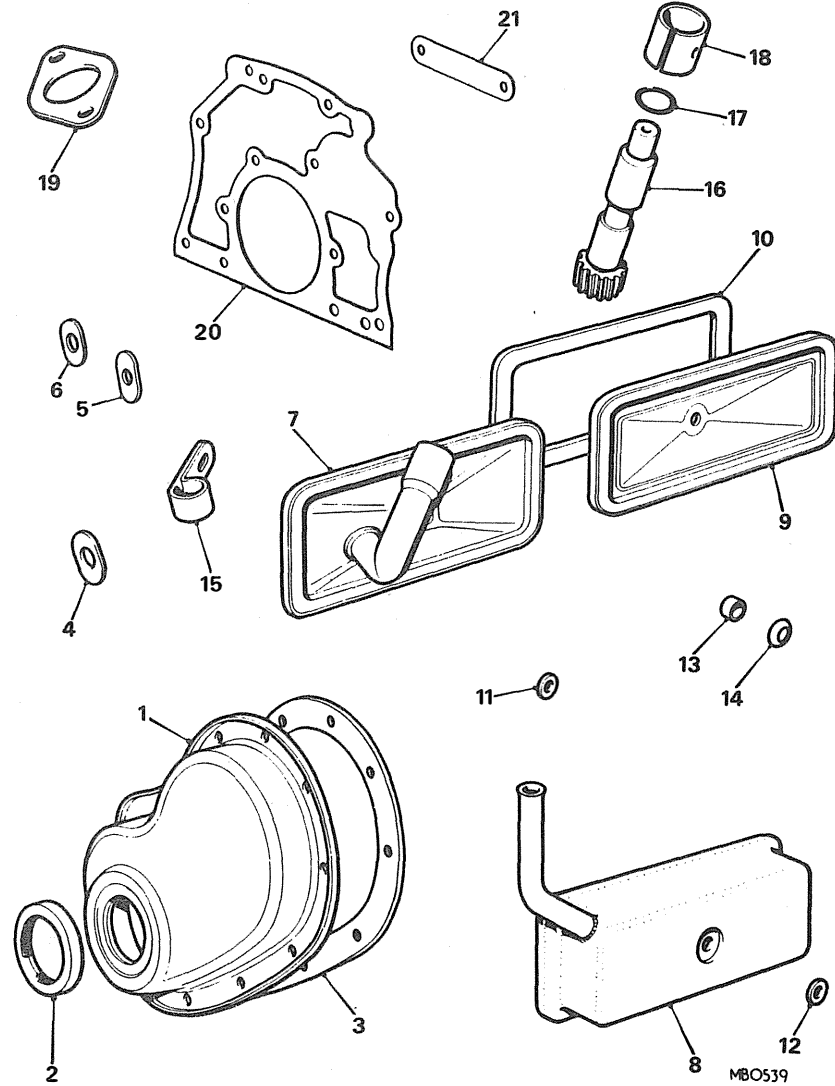
MBO535

Ill. No.	Part No.	DESCRIPTION	Qty.	Change Point	REMARKS
----------	----------	-------------	------	--------------	---------

ENGINE UNIT-1800cc,18G AND 18GA-continued

1	11G 62	SHAFT ASSEMBLY-ROCKER	1		
2	6K 878	Plug-plain-rocker shaft	1		
3	2K 4608	Plug-screwed-rocker shaft	1		
4	12H 389	Bracket-tapped-rocker shaft	1		
4	12H 390	Bracket-plain-rocker shaft	1		
5	6K 871	Spring-rocker spacing	3		
6	12H 3377	ROCKER ASSEMBLY-VALVE	8		
7	1G 2295	Bush-valve rocker	8		
8	5C 2436	Rivet-valve rocker	8		
9	48G 207	Screw-adjusting-tappet	8		
10	51K 1178	Nut-tappet adjusting screw	8		
11	2A 258	Screw-locating-rocker shaft	1		
12	2A 259	Plate-lock-locating screw	1		
13	1A 2139	Washer-double-coil-rocker shaft	2		
	PWN 105	Washer-plain	3		
	LWN 305	Washer-spring	4		
	FNN 105	Nut	4		
14	GEG 366	Gasket-cylinder head	1		
	PWN 106	Washer	11		
15	51K 371	Nut	11		
16	1G 1282	Plate-blanking-heater outlet elbow	1		
17	12H 3868	Gasket-blanking plate	1		
	HZS 404	Screw	2		
	LWN 304	Washer-spring	2		
18	ADP 210	Plug-thermal transmitter boss	1		
19	1B 3664	Washer-plug	1		
20	12H 1838	COVER ASSEMBLY-ROCKER	1		
21	12A 402	Cap-oil filler	1		
22	12A 403	Washer-oil filler cap	1		
23	12H 1836	COVER ASSEMBLY-ROCKER	1		
24	13H 2296	Cap-oil filler	1		
22	12A 403	Washer-oil filler cap	1		
25	12G 826	Nameplate-engine(MG)	1		
26	GEG 402	Gasket-valve rocker cover	1		
27	12A 1968	Bracket-engine sling	2		
28	12A 1368	Bush-cover(rubber)	2		
29	1A 2156	Washer-cup	2		
30	2A 150	Nut-cap-rocker cover	2		

Use prior TO 12H 1836 (E)18GA/U/101 TO H17500 and L101 TO L15429 (E)18GA/RU/H101 TO H16071 and L101 TO L16819



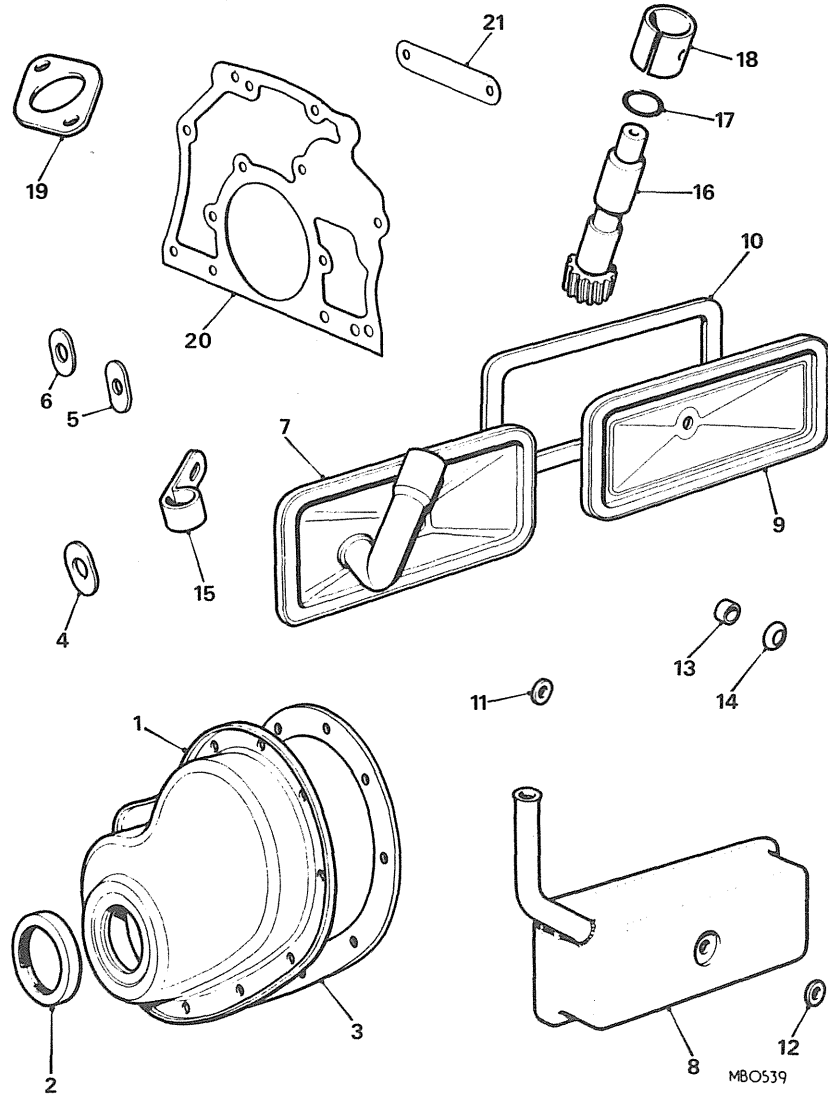
Ill. No.	Part No.	DESCRIPTION	Qty.	Change Point	REMARKS
ENGINE UNIT-1800cc,18G AND 18GA-continued					
1	12H 3317	COVER ASSEMBLY-CYLINDER FRONT	1		
2	88G 561	Seal-oil	1		
3	12H 770	Gasket-crankcase front cover	1		
4	HZS 403	Screw	3		
4	2K 5197	Washer	3		
	LWN 204	Washer-spring	4		
	HZS 506	Screw	4		
5	2K 7440	Washer	4		
	LWN 205	Washer-spring	4		
	SH 604061	Screw	2		
6	2K 5197	Washer	2		
	LWN 204	Washer-spring	2		
7	12H 950	Cover-cylinder side-front (with elbow)	1		
8	12H 1399	Cover-cylinder side-front (with oil separator)	1		Use prior to 12H 1399
9	12A 1386	Cover-cylinder side-rear	1		(E)18GA/U/101 TO 17500
10	12A 1139	Gasket-side cover	2		
	HBZ 513	Screw	A/R		
	HBZ 518	Screw	1		(E)18GA/U/101 TO 17500
11	2K 4958	Washer(fibre)	2		(E)18G/U/101 TO H31121 AND L24944
12	12B 63	Washer(copper)	2		(E)18G/RU/101 TO 31050 AND L10777
	PWZ 105	Washer-plain	2		(E)18GA/U/101 TO 17500
13	12A 1176	Bush	1		
14	12A 1177	Cup	1		
10	12A 1175	Gasket	1		
	HZS 510	Bolt	1		
15	12H 981	Clip-vent pipe	NLA		
	FNZ 105	Nut	1		
	WL 600051	Washer-spring	1		

Use with 12A 1386 ONLY

Ill. No.	Part No.		DESCRIPTION	Qty.	Change Point	REMARKS
----------	----------	--	-------------	------	--------------	---------

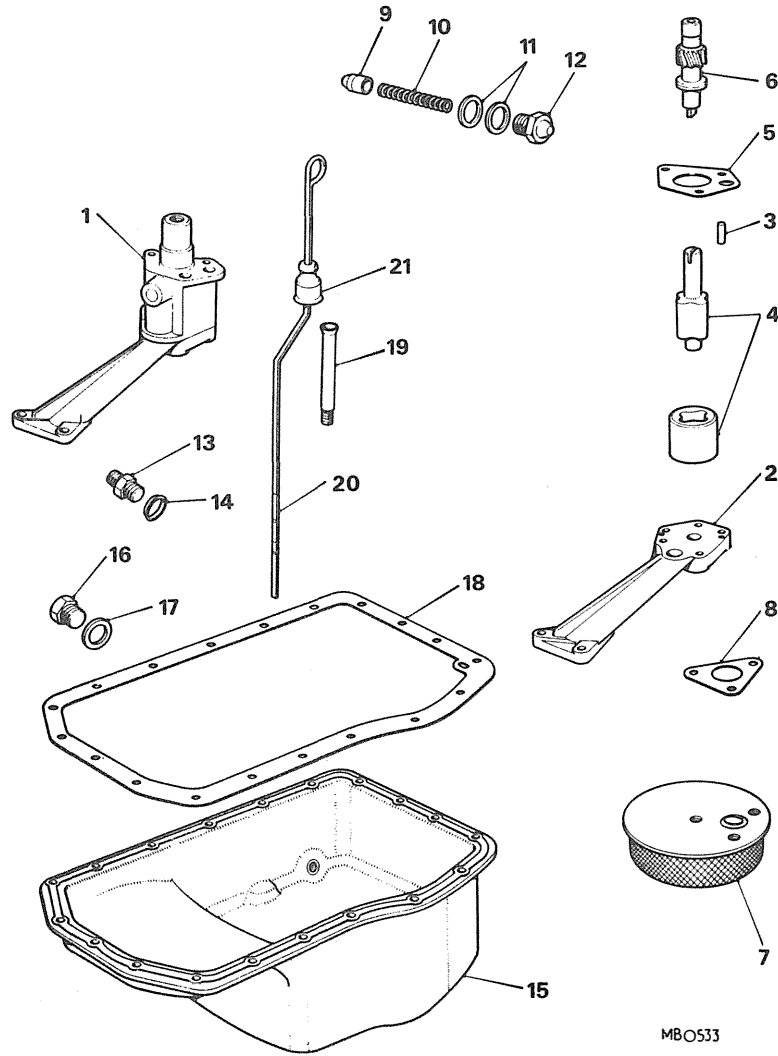
ENGINE UNIT-1800cc,18G AND 18GA-continued

16	1H 721		Pinion-tachometer drive.....	1		
17	1G 2398		Oil seal-pinion	1		
18	1G 2399		Ring-oil seal retaining	1		
19	1G 2401		Gasket-tachometer pinion housing	1		
	PWZ 105		Washer-plain	2		
	FNZ 105		Nut	2		
20	12H 768		Gasket-mounting plate to crankcase.....	1		
	LWZ 306		Washer-spring	8		
	LWZ 305		Washer-spring	4		
21	12H 762		Gasket-upper mounting plate to crankcase.....	1		
	HZS 608		Screw	2		
	LWZ 306		Washer-spring	2		



Ill. No.	Part No.	DESCRIPTION	Qty.	Change Point	REMARKS
----------	----------	-------------	------	--------------	---------

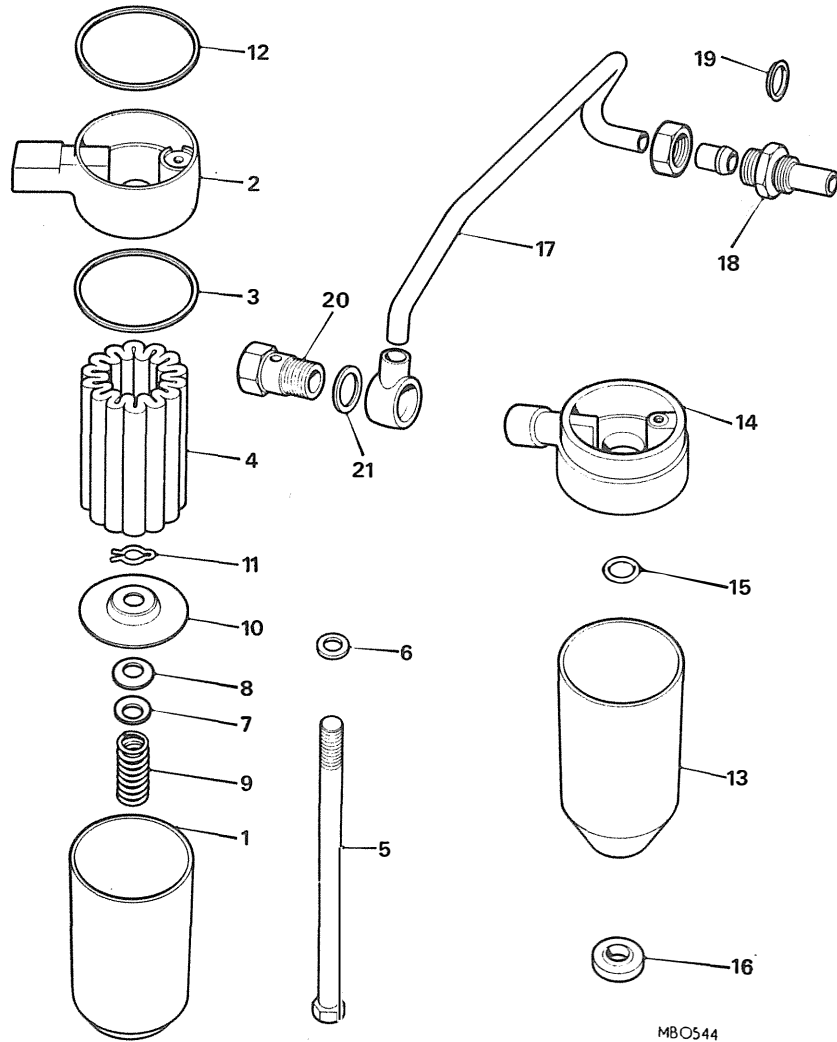
ENGINE UNIT-1800cc,18G AND 18GA-continued



1	88G 296	PUMP ASSEMBLY-OIL.....	1		
2	17H 1712	Cover.....	1		
	HZS 408	Screw.....	1		
	LWN 204	Washer-spring.....	2		
3	17H 1793	Dowel.....	2		
5	88G 420	Gasket-pump to crankcase.....	1		
6	11G 12	Spindle-oil pump driving.....	1		
	PWN 105	Washer-plain.....	3		
	LWN 305	Washer-spring.....	3		
	FNN 105	Nut.....	3		
7	12H 1644	Strainer-oil.....	1		
8	88G 421	Gasket-strainer to pump.....	1		
	HZS 407	Bolt.....	3		
	LWN 304	Washer-spring.....	3		
9	12H 865	Valve-oil release.....	1		
10	1H 756	Spring-oil release valve.....	1		
11	6K 431	Washer.....	2		
12	12A 1851	Nut-cap-oil release valve.....	1		
13	11G 15	Union-oil pressure gauge pipe.....	1		
14	6K 638	Washer.....	1		
15	12H 395	Reservoir-oil.....	1		
16	88G 257	Plug-drain.....	1		
17	6K 638	Washer-drain plug.....	1		
18	GEG 503	Gasket-reservoir to crankcase.....	1		
	HZS 404	Screw.....	19		
	LWZ 404	Washer-shakeproof.....	19		
19	1B 1063	Tube-oil dipper rod.....	1		
20	12H 74	Rod-oil level indicator.....	1		
21	1B 1735	Cover-dust-oil level indicator.....	1		

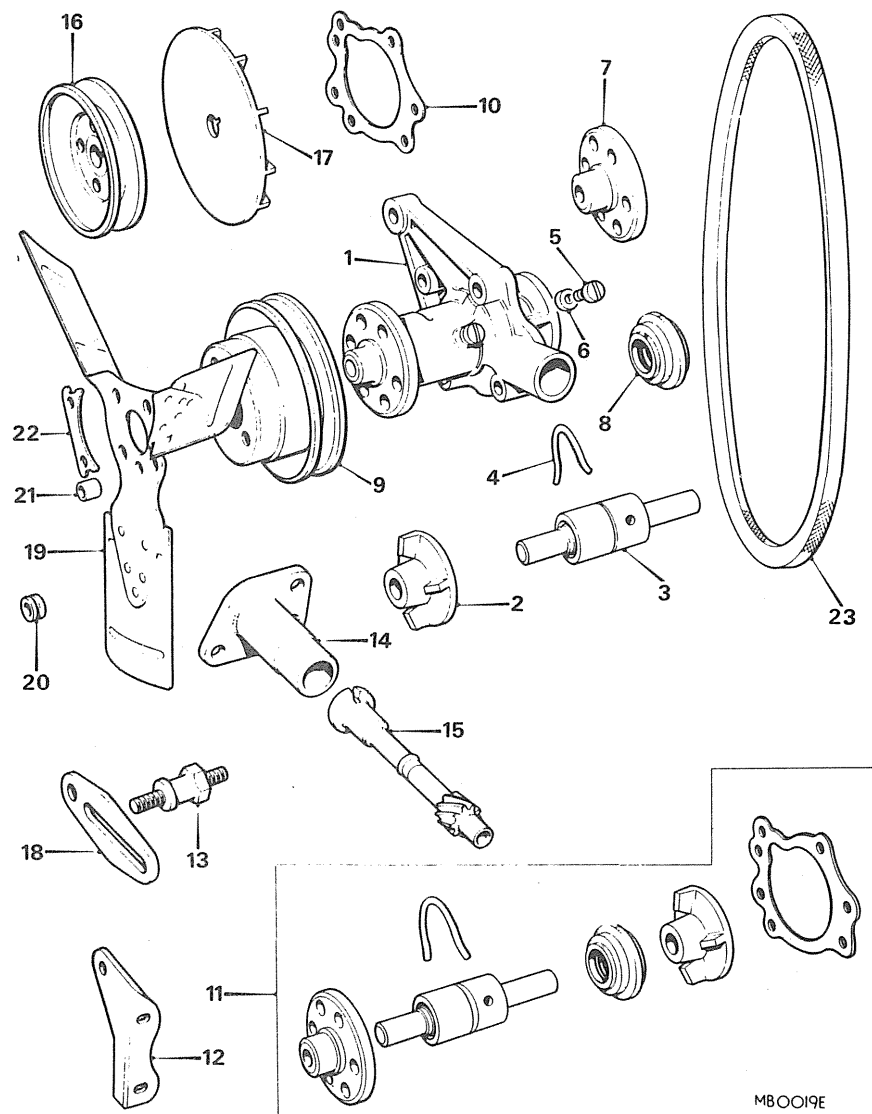
Breakdown parts
FOR Hobourn-
Eaton oil pumps
ONLY

MBO533



MBO544

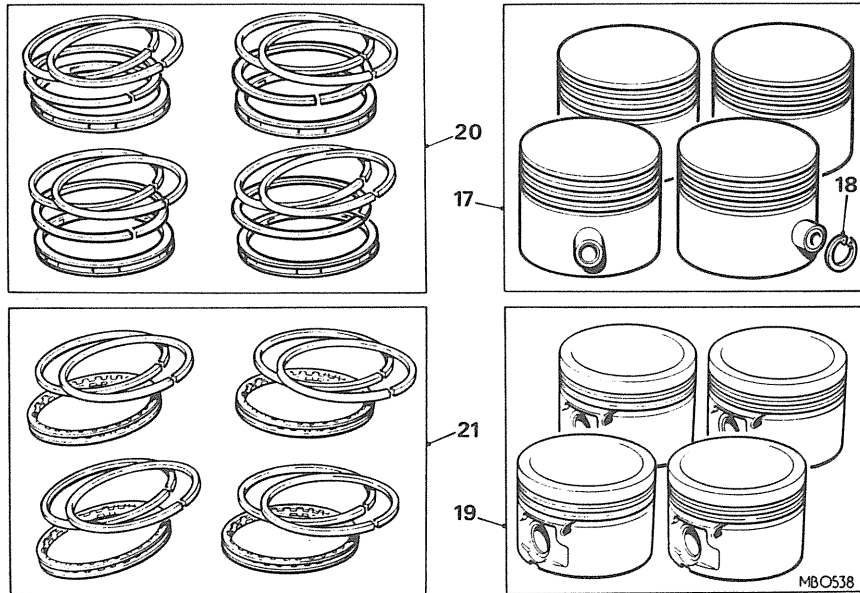
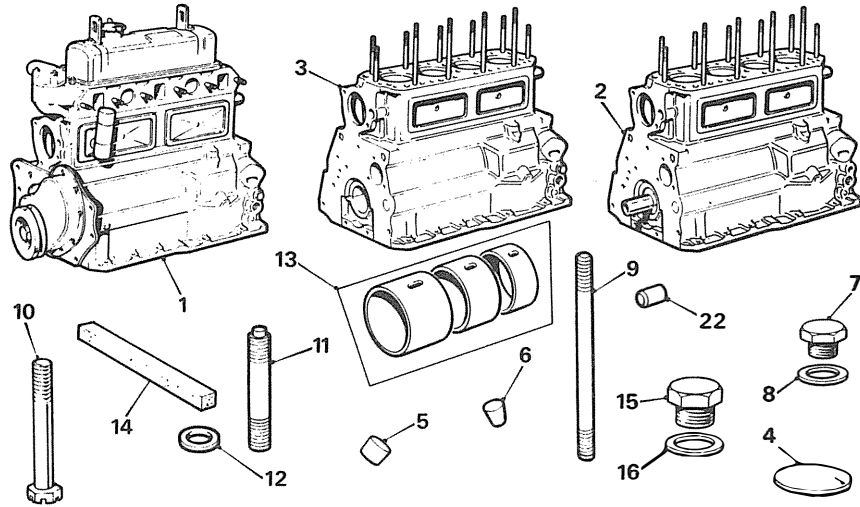
Ill. No.	Part No.	DESCRIPTION	Qty.	Change Point	REMARKS
ENGINE UNIT-1800cc,18G AND 18GA-continued					
	NSP	FILTER ASSEMBLY-OIL.....	1		Tecalemit
1	1H 1069	Container	1		
2	8G 740	HEAD ASSEMBLY	1		
3	13H 998	Sealing ring-container to filter head	1		
4	GFE 102	Element-oil filter.....	1		
5	7H 1965	Bolt-centre	1		
6	7H 1948	Washer-sealing	1		
7	7H 1969	Washer-steel	1		
8	7H 1968	Washer-felt.....	1		
9	7H 1764	Spring.....	1		
10	17H 846	Plate-pressure	1		
11	7H 1952	Circlip.....	1		
12	8G 619	Sealing ring-body to filter and crankcase	A/R		
	NSP	FILTER ASSEMBLY-OIL.....	1		Purolator
13	1H 1053	Body	1		
14	1H 1052	Head	1		
4	GFE 102	Element	1		
5	17H 1558	Bolt-centre	1		
6	17H 1556	Ring-sealing	1		
10	17H 1446	Plate-pressure	1		
15	37H 996	Circlip.....	NLA		
16	17H 1559	Joint ring-body to filter and crankcase	2		
17	1H 1056	Collar-centre bolt.....	1		
		Pipe-filter to crankcase	1		Use when oil cooler is not fitted
18	1H 922	Adaptor-full flow filter connection	1		
19	6K 501	Gasket-adaptor	1		
20	1K 2142	Screw-banjo union.....	1] Use when oil COOLER IS NOT FITTED
21	1H 898	Washer-outer	1		
21	6K 501	Washer-inner	1		



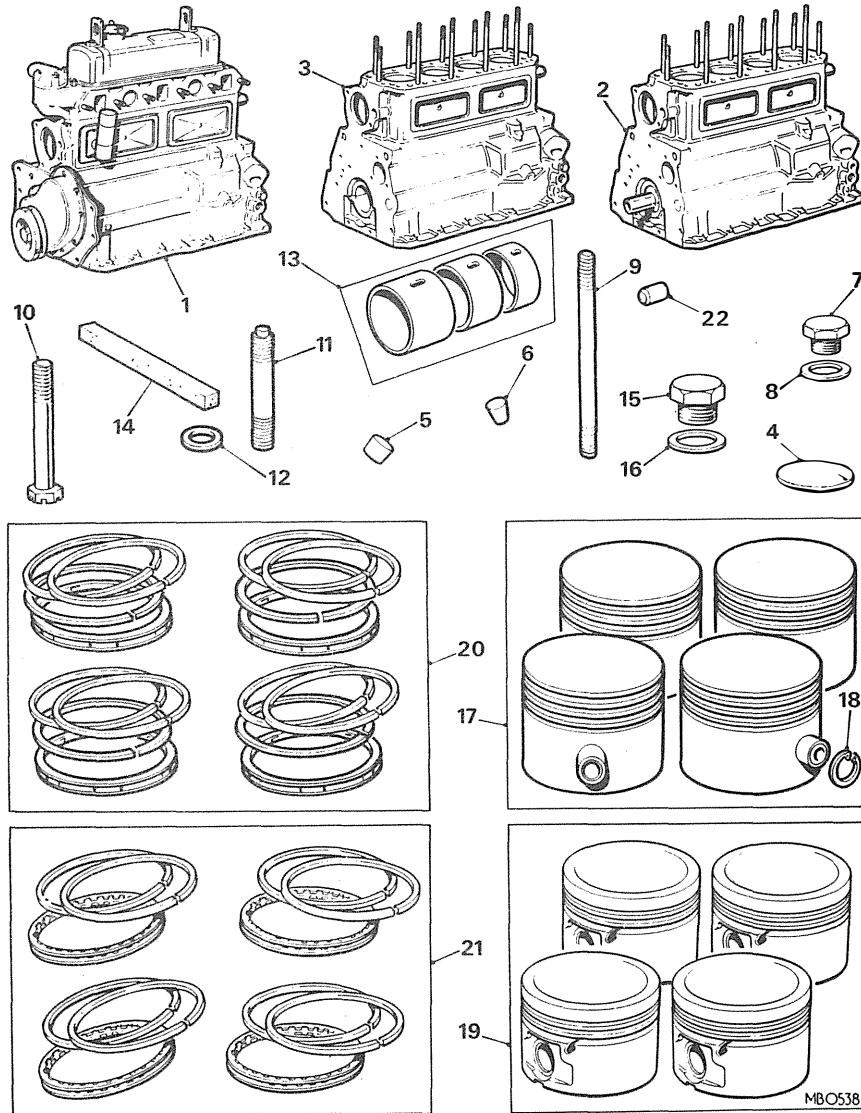
Ill. No.	Part No.	DESCRIPTION	Qty.	Change Point	REMARKS
----------	----------	-------------	------	--------------	---------

ENGINE UNIT-1800cc,18G AND 18GA-continued

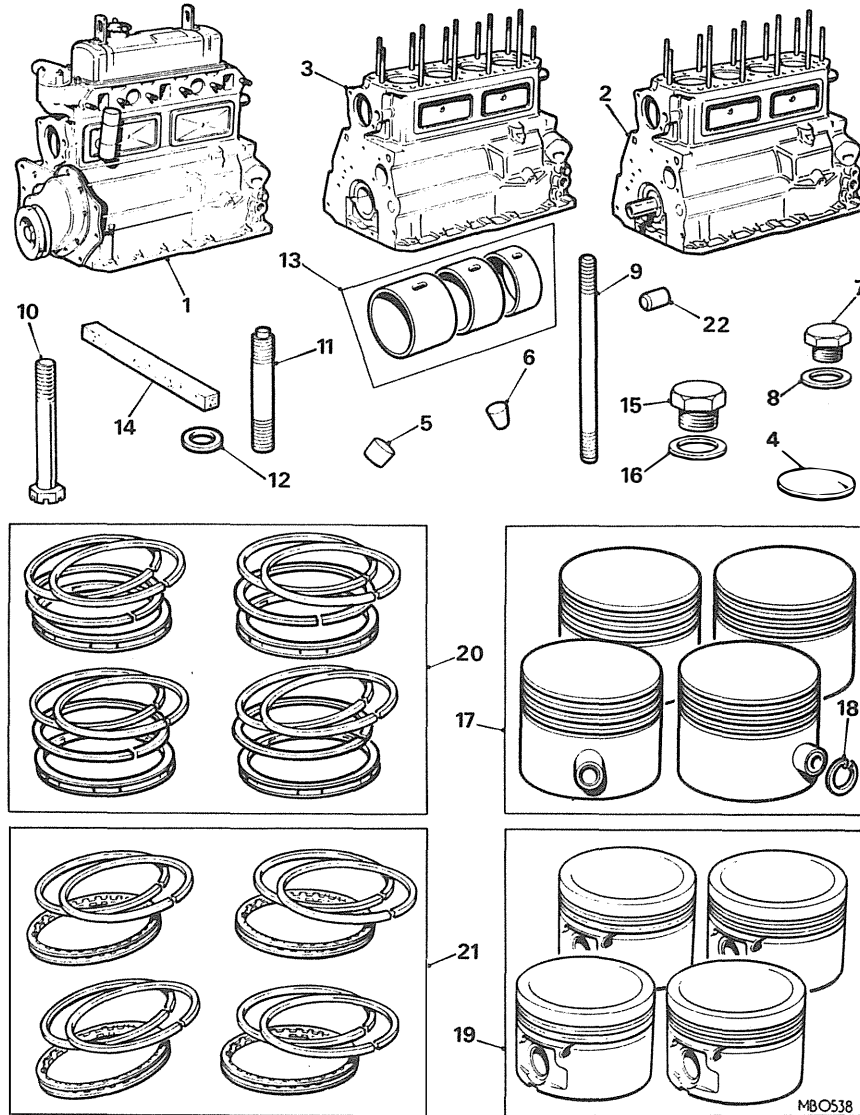
1	GWP 115	PUMP ASSEMBLY-WATER	1		
2	12B 173	Vane	1		
3	12H 2269	Bearing(with spindle)	1		
4	2A 778	Wire-bearing locating	1		
5	53K 1433	Screw-lubricating point	1		
6	2K 4974	Washer(fibre).....	1		
7	8G 724	Hub-pulley.....	1		
8	88G 446	Seal	1		
9	12B 174	Pulley-fan and water pump	NLA		
10	12H 814	Gasket-pump to crankcase.....	NLA		
	LWN 305	Washer-spring	4		
	HBZ 514	Screw-long	2		
	HZS 510	Screw-short	2		
11	48G 480	Kit-water pump repair	NLA		
12	12A 526	Bracket-rear dynamo	1		
	LWN 305	Washer-spring	2		
	HZS 506	Screw	2		
13	2A 128	Pillar-dynamo adjusting link	1		
	LWN 306	Washer-spring	1		
	FNZ 506	Nut	1		
14	1G 2285	Housing-distributor.....	1		
15	1G 2062	Spindle-distributor driving	1		
16	12H 1178	Pulley-dynamo	1		
17	17D 11	Fan-dynamo.....	1		
18	12H 67	Link-dynamo.....	1		
	PWN 106	Washer-plain.....	1		
	LWZ 306	Washer-spring	1		
	LNZ 206	Nut	1		
	SH 505051	Screw	1		
	LWN 305	Washer-spring	1		
	HZS 509	Screw	1		
	LWN 305	Washer-spring	1		
	LNZ 205	Nut	1		
	HBZ 514	Bolt.....	1		
	LWN 305	Washer-spring	1		
	LNZ 205	Nut	1		
19	12H 1058	Fan-water pump	1		
	HZS 408	Screw	4		
20	12H 1060	Grommet.....	4		
21	12H 1062	Piece-distance	4		
	PWZ 204	Washer-plain.....	4		
22	12H 1388	Washer-tab	2		
23	GFB 103	Belt-fan	1		



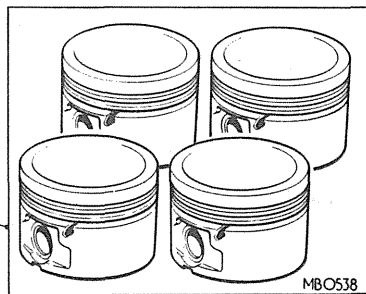
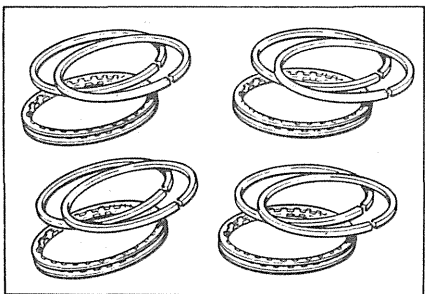
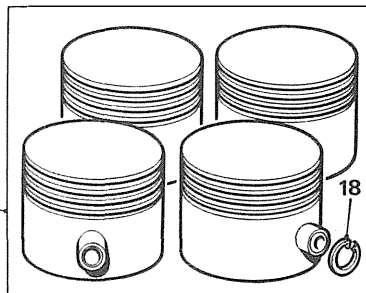
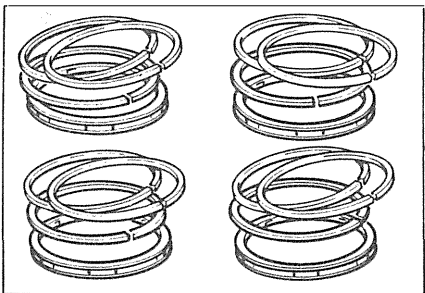
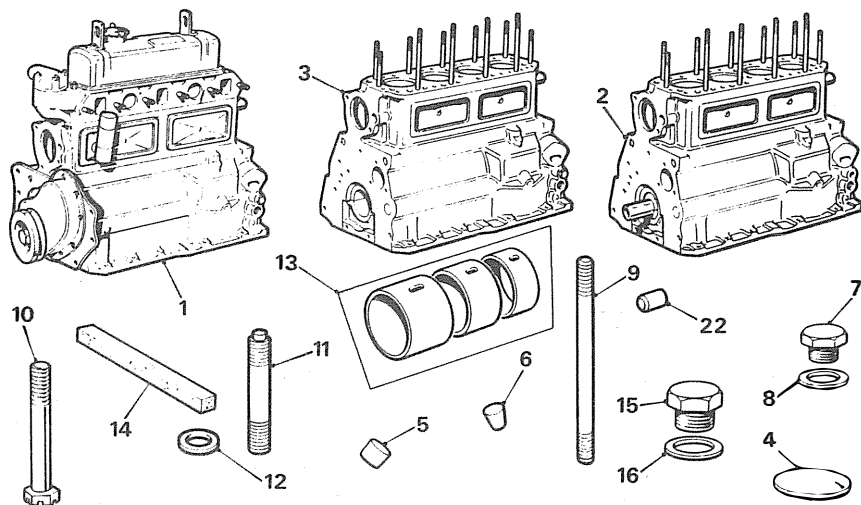
Ill. No.	Part No.	DESCRIPTION	Qty.	Change Point	REMARKS
ENGINE UNIT-1800cc,18GB,18GD,18GF,18GG,18GH,18GJ,18GK AND 18V					
ENGINE UNIT-STRIPPED					
	48G 392	MANUAL-HC.....	NLA		(E)18GB
1	48G 702 N	MANUAL-HC.....	1		(E)18GD, 18GG
1	48G 733 N	MANUAL-AUTOMATIC-HC.....	1		(E)18V
1	BHM 1111 N	MANUAL-HC.....	1		(E)18V/846/H101 ON (E)18V/847/H101 ON
1	48G 530 N	AUTOMATIC-HC.....	1		(E)18GD, 18GG
	48G 393	MANUAL-LC.....	NLA		(E)18GB
1	48G 736 N	MANUAL-AUTOMATIC-LC.....	1		(E)18GD, 18GG, 18V
1	48G 529	AUTOMATIC-LC.....	1		(E)18GD, 18GG
1	48G 704	MANUAL-HC(WITH E.P.A.I.).....	1		(E)18GF, 18GH, 18GJ, 18GK
1	48G 648	AUTOMATIC-HC (WITH E.P.A.I.).....	1		
1	48G 649	AUTOMATIC-LC (WITH E.P.A.I.).....	1		(E)18GF, 18GH, 18GJ, 18GK, 18V. Use prior to BHM 1074 N
1	48G 737	MANUAL/AUTOMATIC-LC (WITH E.P.A.I.).....	1		
1	BHM 1074 N	MANUAL-LC.....	1		(E)18V/836Z/101 ON (E)18V/837Z/101 ON (E)18V/838Z/101 ON (E)18V/839Z/101 ON
1	BHM 1105 N	Manual(with E.P.A.I.).....	1		(E)18V/797AE/101 ON (E)18V/798AE/101 ON (E)18V/801AE/101 ON (E)18V/802AE/101 ON



III. No.	Part No.	DESCRIPTION	Qty.	Change Point	REMARKS
ENGINE UNIT-1800cc,18GB,18GD,18GF,18GG,18GH,18GJ,18GK AND 18V-continued					
2	48G 732 N	ENGINE UNIT-PART-MANUAL AND AUTOMATIC-HC.....	1		
2	48G 735 N	ENGINE UNIT-PART-MANUAL AND AUTOMATIC-LC.....	1		
3	48G 501	BLOCK ASSEMBLY-CYLINDER-HC...	1		
3	48G 731	BLOCK ASSEMBLY-CYLINDER-HC			Use prior to 48G 731 (E)18GG/RwE/H24641 TO(+) (E)18GG/We/H24249 TO(+) (Plus 21492 TO 21500) (E)18GG/Rc/H847 TO(+) (E)18GK/RwE/H14364 TO(+) (E)18GK/We/H17433 TO(+).(Plus 172317 TO 17300) (E)18V/-/101 ON
3	48G 502	BLOCK ASSEMBLY-CYLINDER-LC...	1		4 ring piston
3	48G 734	BLOCK ASSEMBLY-CYLINDER-LC...	1		Use prior to 48G 734 (E)18GG/RwE/L(+) TO(+) (E)18GG/We/L(+) TO(+) (E)18GG/Rc/L(+) TO(+) (E)18GK/RwE/L(+) TO(+) (E)18GK/We/L(+) TO(+) (E)18V/-/101 ON



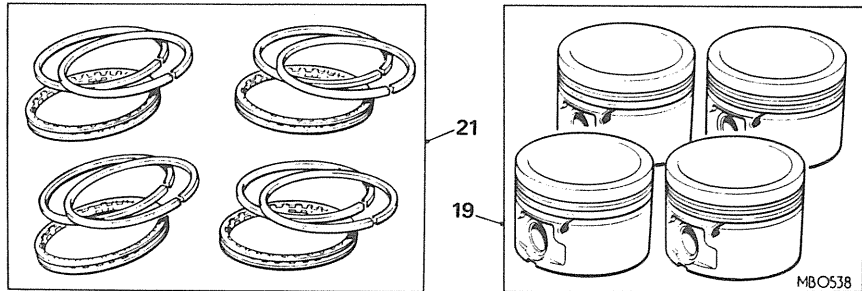
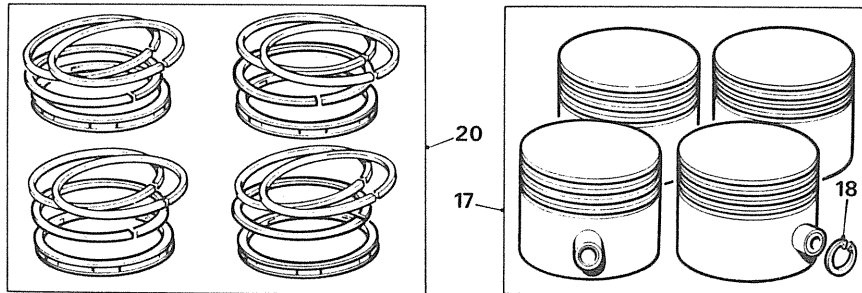
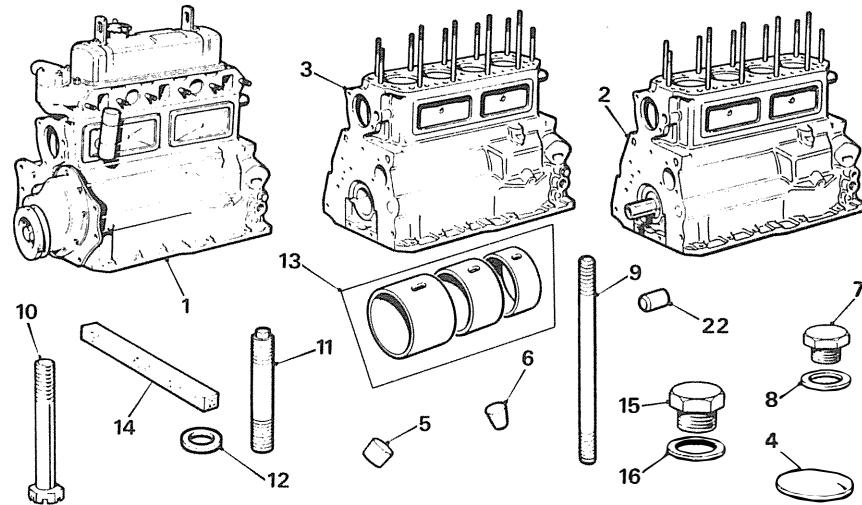
Ill. No.	Part No.	DESCRIPTION	Qty.	Change Point	REMARKS
ENGINE UNIT-1800cc,18GB,18GD,18GF,18GG,18GH,18GJ,18GK AND 18V-continued					
4	2K 8169	Plug-welch-large	4		
5	12H 1735	Plug-crankcase-oil gallery	4		
6	12H 1736	Plug-taper-crankcase oil hole.....	2	(E) 18GB/-/101 TO H72015 and L71008	
6	12H 1736	Plug-taper-crankcase oil hole.....	1	(E) 18GB/-/H72016 TO H91200 and L71009 TO L89610	
6	12H 1648	Plug-taper-crankcase oil hole.....	1	(E) 18GD/-/101 TO 7000	
7	12H 1631	Plug-oil dipper rod boss.....	NLA	(E) 18GF/-/101 TO 13650	
				(E) 18GG/-/101 TO(+)	
				(E) 18GH/-/101 TO(+)	
				(E) 18GJ/-/22647 TO(+)	
				(E) 18GK/-/101 TO(+)	
				(E) 18V/-/101 ON	
6	6K 899	Plug-oil relief valve vent hole.....	2		
6	11G 14	Plug-chain tensioner oil feed	1		
6	11G 14	Plug-oil feed-rear-intermediate main bearing.....	2		
6	12H 1737	Plug-distributor driving spindle boss	1		
6	12H 1513	Plug-camshaft gear-oil drilling	1		
7	53K 2853	Plug-oil hole-screwed	1	(E) 18GB/-/101 TO 91200	
7	12H 1715	Plug-oil hole-screwed	1	(E) 18GD/-/101 TO 7000	
				(E) 18GF/-/101 TO 13650	
				(E) 18GG/-/101 TO(+)	
				(E) 18GH/-/101 TO(+)	
				(E) 18GJ/-/101 TO(+)	
				(E) 18GK/-/101 TO(+)	
				(E) 18V/-/101 ON	
8	6K 638	Washer-screwed plug	1	(E) 18GB/-/101 TO 91200	
8	51K 3811	Washer-screwed plug	1	(E) 18GD/-/101 TO 7000	
				(E) 18GF/-/101 TO 13650	
				(E) 18GG/-/101 TO(+)	
				(E) 18GH/-/101 TO(+)	
				(E) 18GJ/-/22647 TO(+)	
				(E) 18GK/-/101 TO(+)	
				(E) 18V/-/101 ON	



Ill. No.	Part No.	DESCRIPTION	Qty.	Change Point	REMARKS
----------	----------	-------------	------	--------------	---------

**ENGINE UNIT-1800cc,18GB,18GD,18GF,18GG,18GH,18GJ,
18GK AND 18V-continued**

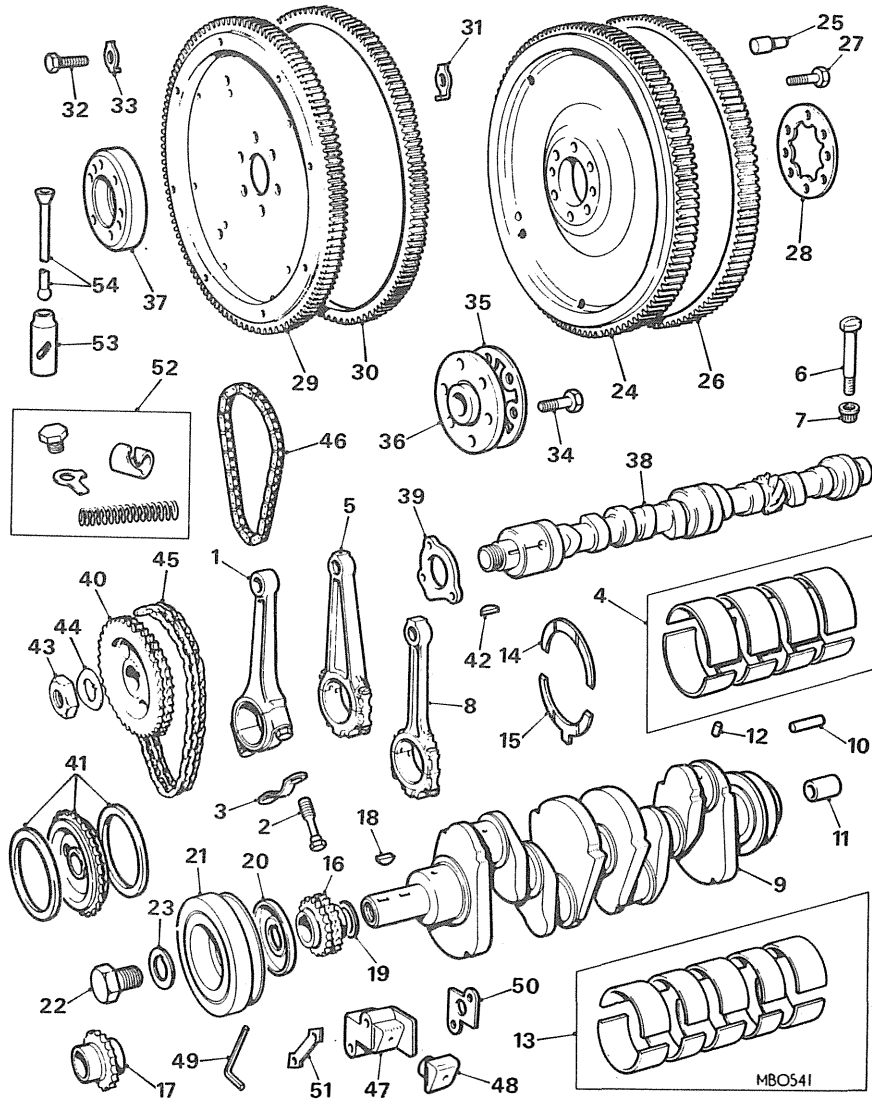
9	51K 245	Stud-cylinder head Long	4		Use prior to 51K 281
9	51K 246	Short.....	7		Use prior to 51K 282
9	51K 281	Long	4		(E)18V/581/H5302 TO(+)
9	51K 282	Short.....	7		(E)18V/582/H22277 TO(+)
					(E)18V/583/H871 TO(+)
					(E)18V/672Z/ L21739 ON
					(E)18V/673Z/ L3178 ON
					(E)18V/779F/101 ON
					(E)18V/780F/101 ON
10	12B 2356	Screw-main bearing cap.....	1		Use prior to 12B 2356
11	51K 1482	Stud-main bearing cap.....	NLA		
12	ACA 5521 LNN 208	Washer-plain	10		
14	12H 1638	Nut.....	10		
		Gasket-front main bearing cap.....	1		Use prior to 12H 1476
10	12B 2356	Screw-main bearing cap.....	10		(E)18V/581/H1643 ON
14	12H 1476	Gasket-front main bearing cap.....	1		(E)18V/581/L1014 TO(+)
					(E)18V/582/H2914 TO(+)
					(E)18V/582/L2108 TO(+)
					(E)18V/583/H258 TO(+)
					(E)18V/584Z/ L9449 TO(+)
					(E)18V/585Z/ L10321 TO(+)
					(E)18V/672Z/L101 ON
					(E)18V/673Z/L101 ON
					(E)18V/779F/101 ON
					(E)18V/780F/101 ON
13	8G 2176	Liner-camshaft bearing	1SET		



MBO538

MGB-TOURER,GT AND V8-UPTO SEPTEMBER 1976

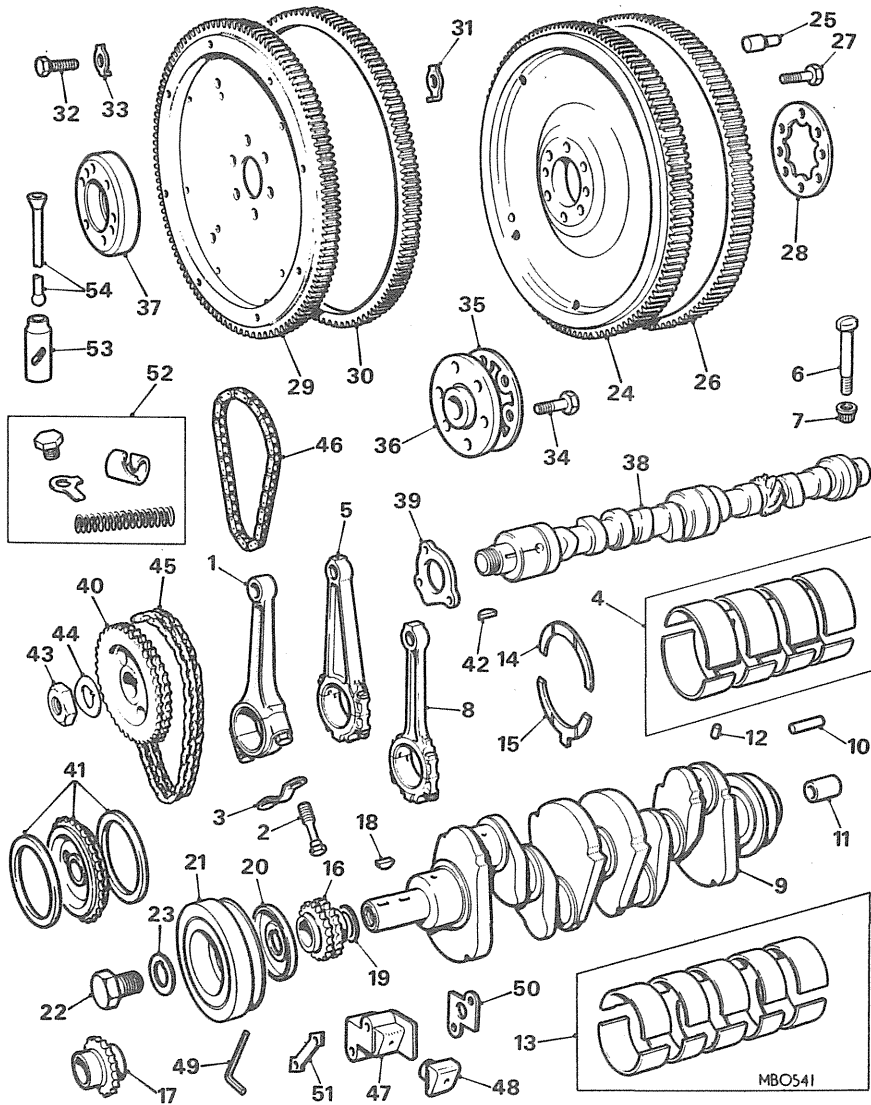
Ill. No.	Part No.	DESCRIPTION	Qty.	Change Point	REMARKS
ENGINE UNIT-1880cc,18GB,18GD,18GF,18GG,18GH,18GJ,18GK AND 18V-continued					
14	12H 1476	Gasket-rear main bearing cap.....	1		
7	1K 51	Dowel-gearbox mounting plate.....	2		
7	12A 1344	Dowel-water pump.....	NLA		
15	53K 2853	Plug-cylinder drain.....	1		
16	6K 638	Washer.....	1		
PISTON ASSEMBLY-GRADE 3-HC					
17	8G 2578 3	Standard.....	1SET		Use prior to 8G 2643
17	8G 2578 23	.508mm(.020")O/S.....	1SET		
17	8G 2578 43	1.016mm(.040")O/S.....	1SET		
18	CCN 213	Circlip-pin.....	8		
PISTON ASSEMBLY-GRADE A AND B-HC					
19	8G 2643	Standard.....	1SET		3 ring piston
19	8G 2643 20	.508mm(.020")O/S.....	1SET		
19	8G 2643 40	1.016mm(.040")O/S.....	1SET		
PISTON ASSEMBLY-GRADE 3-LC					
17	8G 2508 3	Standard.....	1SET		Use prior to 8G 2644
17	8G 2508 23	.508mm(.020")O/S.....	1SET		
17	8G 2508 43	1.016mm(.040")O/S.....	NLA		
18	CCN 213	Circlip.....	8		
PISTON ASSEMBLY-GRADE A AND B-LC					
19	8G 2644	Standard.....	1SET		3 ring piston
19	8G 2644 20	.508mm(.020")O/S.....	1SET		
19	8G 2644 40	1.016mm(.040")O/S.....	1SET		
RING-PISTON(ENGINE SET)					
20	8G 2506	Standard.....	1SET		Use with the 3 ring piston 8G 2643 and 8G 2644
20	8G 2506 20	.508mm(.020")O/S.....	1SET		
20	8G 2506 40	1.016mm(.040")O/S.....	1SET		
21	8G 2647	Standard.....	1SET		
21	8G 2647 20	.508mm(.020")O/S.....	1SET		
21	8G 2647 40	1.016mm(.040")O/S.....	1SET		



Ill. No.	Part No.	DESCRIPTION	Qty.	Change Point	REMARKS
----------	----------	-------------	------	--------------	---------

ENGINE UNIT-1800cc,18GB,18GD,18GF,18GG,18GH,18GJ, 18GK AND 18V-continued

1	12H 1019	ROD ASSEMBLY-CONNECTING	4		
2	12H 1000	Screw	8		
3	6K 881	Washer-tub	4		
					Use prior to 12H 2444
					BEARING-CONNECTING ROD
4	8G 2664	Standard	1SET		
4	8G 2664 10	.254mm(.010")U/S	1SET		
4	8G 2664 20	.508mm(.020")U/S	1SET		
4	8G 2664 30	.762mm(.030")U/S	1SET		
4	8G 2664 40	1.016mm(.040")U/S	1SET		
5	12H 2444	ROD ASSEMBLY-CONNECTING	4		(E)18GG/RWe/ H16352 TO H24640
6	12G 1300	Bolt	8		(E)18GG/We/ H16004 TO H24248 (less 21492 TO 21500)
7	13H 5872	Nut	8		(E)18GG/Rc/H639 TO H846 (E)18GG/RWe/ L7486 TO(+) (E)18GH,18GJ/RWe/ H40392 TO(+) (E)18GH,18GJ/We/ H40754 TO(+) (E)18GK/RWe/H101 TO H14363 (E)18GK/We/H101 TO H17433(less 17237 TO 17300) (E)18GH/-/L(+)/TO(+) (E)18GJ/-/L(+)/TO(+) (E)18GK/-/L(+)/TO(+)



Ill. No.	Part No.	DESCRIPTION	Qty.	Change Point	REMARKS
----------	----------	-------------	------	--------------	---------

ENGINE UNIT-1800cc 18GB,18GD,18GF,18GG,18GH,18GJ,18GK AND 18V-continued

8	12H 3596	ROD ASSEMBLY-CONNECTING	4		(E)18GG/RWe/H24641
6	12G 1300	Bolt.....	8		TO(+)
7	13H 5872	Nut.....	8		(E)18GG/We/H24249

TO(+)(Plus 21492 TO 21500)
 (E)18GG/Rc/H84 TO(+)
 (E)18GG/-/L(+)(TO(+))
 (E)18GK/RWe/H14364 TO(+)
 (E)18GK/We/H17433 TO(+)(plus 17237 TO 17300)
 (E)18GK/-/L(+)(TO(+))
 (E)18V/-/101 ON

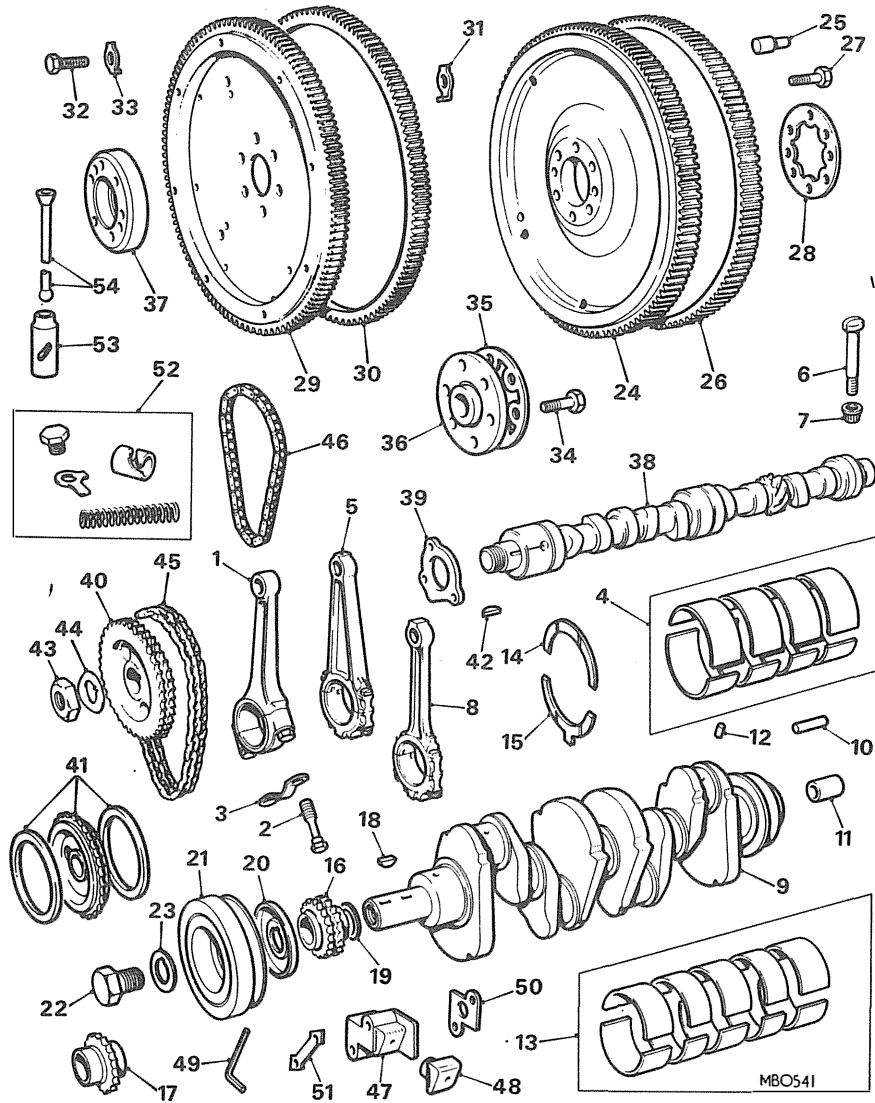
BEARING-CONNECTING ROD

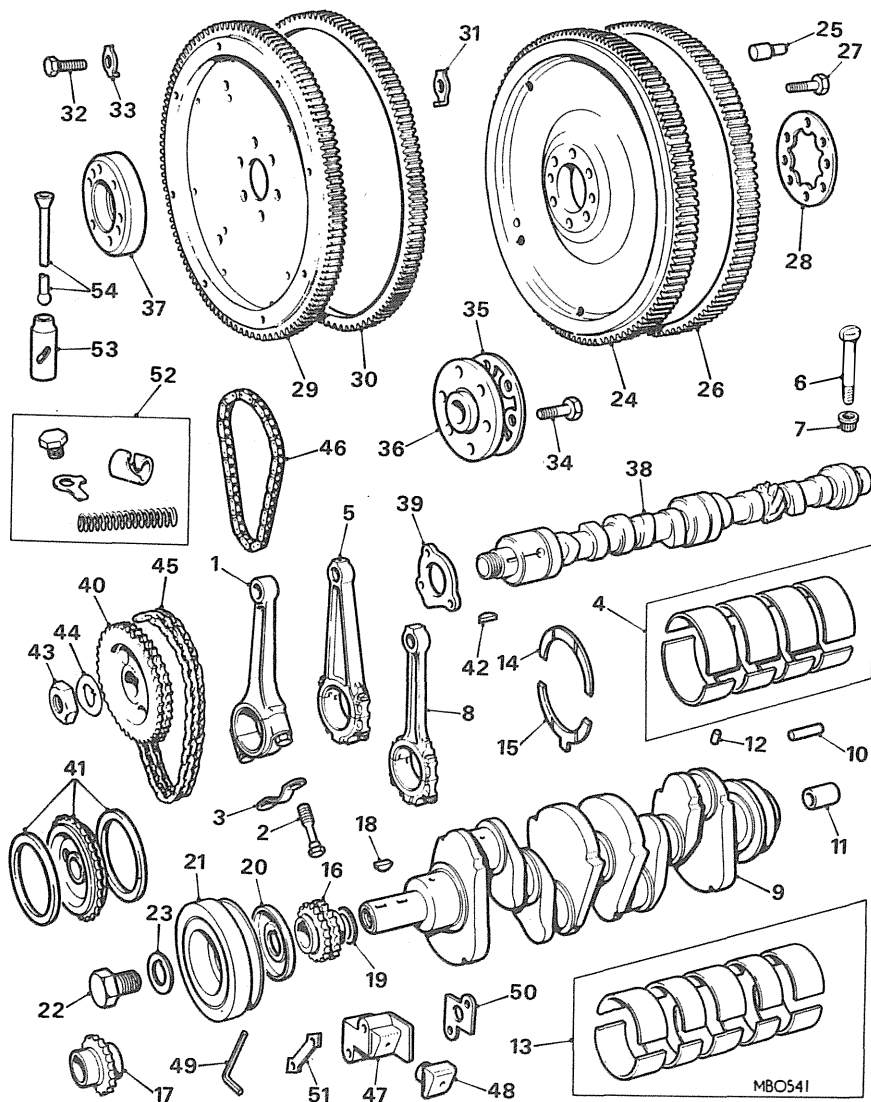
4	8G 2664	Standard.....	1SET		Use with con rods 12H 2444 and 12H 3596
4	8G 2574 10	.254mm(.010")U/S	1SET		
4	8G 2664 20	.508mm(.020")U/S	1SET		
4	8G 2574 30	.762mm(.030")U/S	1SET		
4	8G 2574 40	1.016mm(.040")U/S	1SET		

Ill. No.	Part No.	DESCRIPTION	Qty.	Change Point	REMARKS
----------	----------	-------------	------	--------------	---------

ENGINE UNIT-1800cc,18GB,18GD,18GF,18GG,18GH,18GJ,18GK AND 18V-continued

9	12H 2524	CRANKSHAFT ASSEMBLY.....	1		
10	12H 1301	Dowel-flywheel to crankshaft.....	2		
11	22H 1416	Bush-1st motion shaft.....	1		
12	1G 1167	Plug-crankshaft.....	4		
9	12H 2563	CRANKSHAFT ASSEMBLY-AUTOMATIC.....	1		
10	12H 1301	Dowel-drive plate to crankshaft.....	2		
		BEARING-MAIN			
13	8G 2389	Standard.....	1SET		
13	8G 2389 10	.254mm(.010")U/S.....	1SET		
13	8G 2389 20	.508mm(.020")U/S.....	1SET		
13	8G 2389 30	.762mm(.030")U/S.....	1SET		
13	8G 2389 40	1.016mm(.040")U/S.....	1SET		
14	12B 120	Washer-thrust-upper.....	2		
14	12B 120 3	Washer-thrust-upper-.076MM (.003")O/S.....	2		
15	12B 121	Washer-thrust-lower.....	2		
15	12B 121 3	Washer-thrust-lower-.076mm (.003")O/S.....	2		
16	12A 1553	Gear-crankshaft.....	1		Use prior to 12H 4201
17	12H 4201	Gear-crankshaft.....	1		(E)18V/581/H4106 ON (E)18V/581/L1029 ON (E)18V/582/H11379 ON (E)18V/583/H546 TO(+) (E)18V/584Z/L19493 TO(+) (E)18V/585Z/L2758 TO(+) (E)18V/672Z/L3034 ON (E)18V/673Z/L322 ON (E)18V/779F/101 ON (E)18V/780F/101 ON
18	2H 326	Key-gear.....	2		Use prior to 12H 4301
18	12H 4301	Key-gear.....	2		(E)18V/581/H3106 ON (E)18V/582/H8106 ON (E)18V/583/H439 TO(+) (E)18V/584Z/L16307 TO(+) (E)18V/585Z/L2119 TO(+) (E)18V/672Z/L101 ON (E)18V/673Z/L101 ON (E)18V/779F/101 ON (E)18V/780F/101 ON
19	2K 6633	Washer-packing-gear.....	A/R		



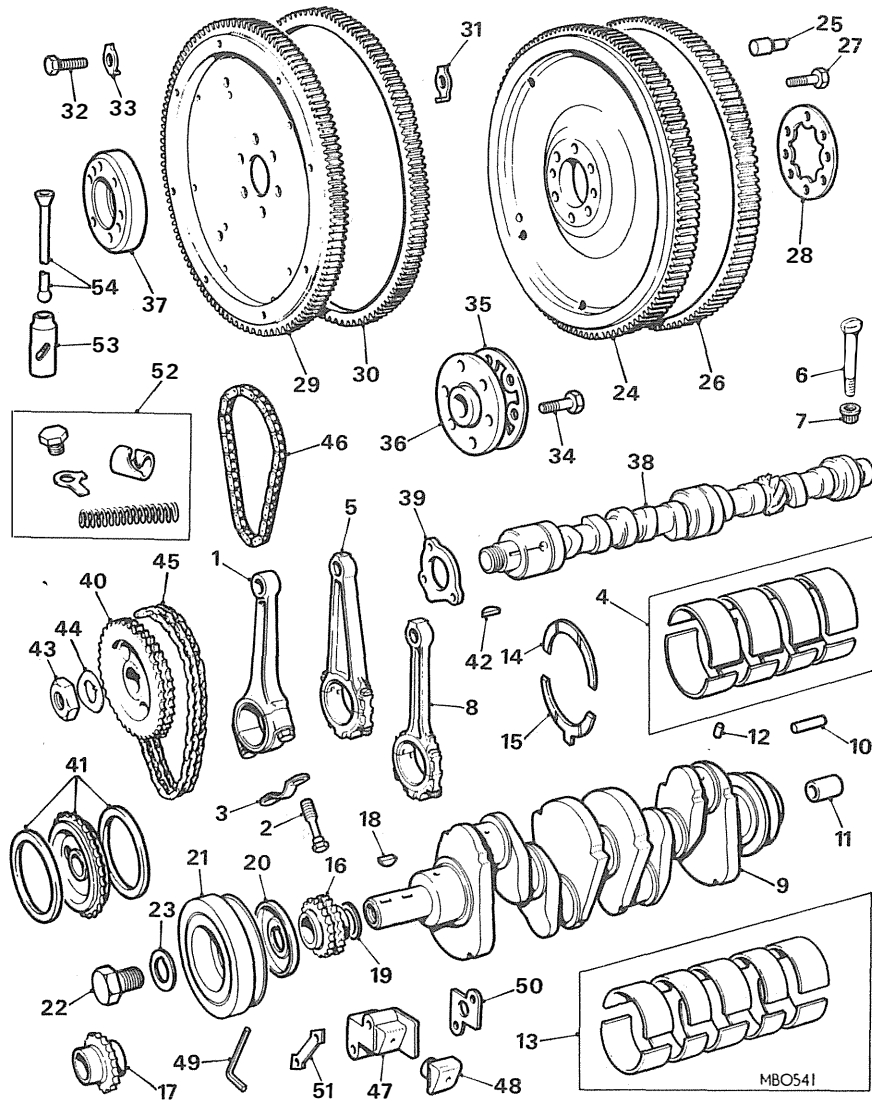


Ill. No.	Part No.	DESCRIPTION	Qty.	Change Point	REMARKS
----------	----------	-------------	------	--------------	---------

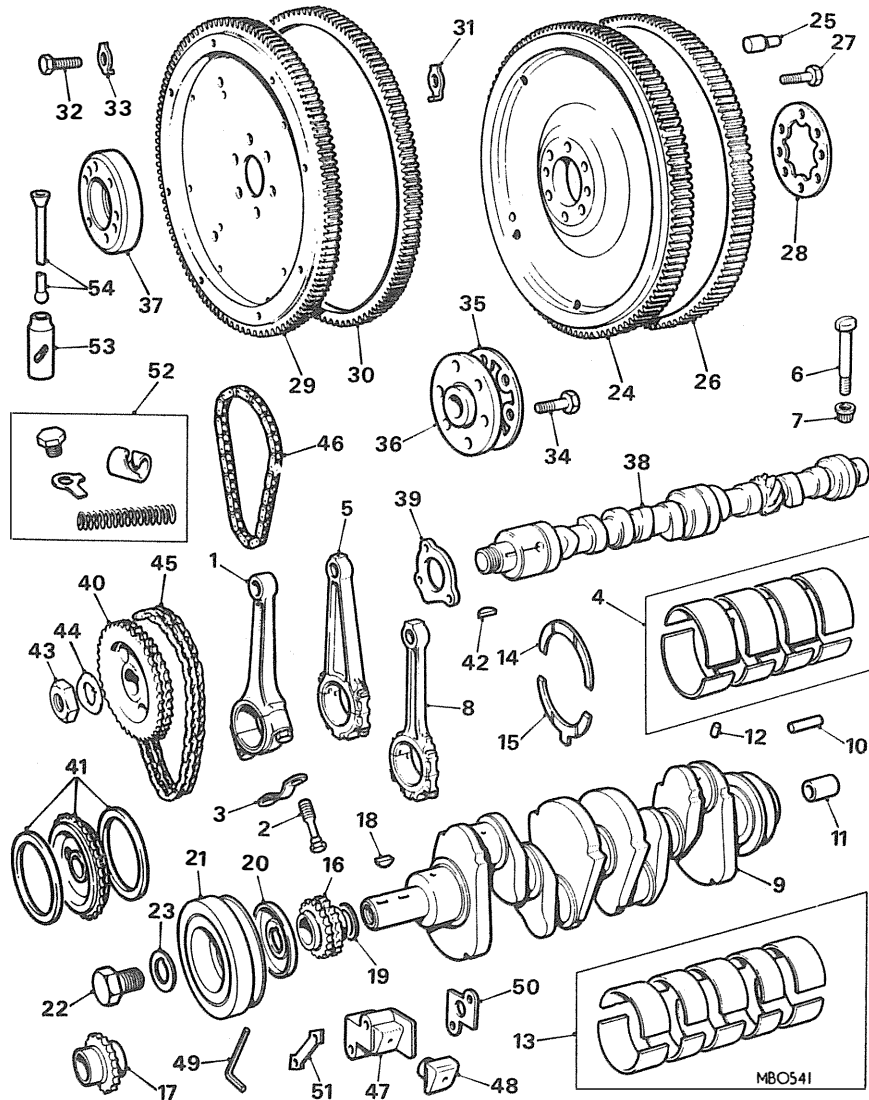
ENGINE UNIT-1800cc,18GB,18GD,18GF,18GG,18GH,18GJ,18GK AND 18V-continued

20	12H 775	Thrower-oil-front-crankshaft.....	1		Use prior to 12H 1740
20	12H 1740	Thrower-oil-front-crankshaft.....	1		(E)18GB/U/H 18629 TO 90900 L 11851 TO 89610 (E)18GB/RU/H 14031 TO 91200 L 13711 TO 81300 (E)18GD/-/101 TO 7000 (E)18GF/-/101 TO 13650 (E)18GG/-/101 TO (+) (E)18GH/-/101 TO (+) (E)18GJ/-/22647 TO (+) (E)18GK/-/101 TO (+) (E)18V/-/101 ON
21	12H 963	Pulley-crankshaft(with vibration damper).....	1		Use prior to 12H 3515
21	12H 3515	Pulley-crankshaft(with vibration damper).....	1		(E)18GG/RWE/H22443 TO (+) (E)18GG/RWe/L20208 TO (+) (E)18GG/We/H22339 TO (+) (E)18GK/RWe/H10557 TO (+) (E)18GK/We/H12014 (E)18GK/Rc/H758 TO (+) (E)18V/-/101 ON
21	12H 3516	Pulley-crankshaft(with vibration damper).....	1		(E)18V/797AE/101 ON (E)18V/798AE/101 ON (E)18V/801AE/101 ON (E)18V/802AE/101 ON
22	AEA 312	Bolt-pulley retaining.....	1		
23	1G 1319	Washer-lock-bolt.....	1		

Use with front cover 12H 3510



Ill. No.	Part No.	DESCRIPTION	Qty.	Change Point	REMARKS
ENGINE UNIT-1800cc, 18GB, 18GD, 18GF, 18GG, 18GH, 18GJ, 18GK AND 18V-continued					
24	12H 1474	FLYWHEEL ASSEMBLY	1	Use prior to 12H 2184	Automatic
25	1G 2984	Dowel-clutch to flywheel	3		
26	1G 2874	Ring-gear-starter	1		
24	12H 2184	FLYWHEEL ASSEMBLY	1		
25	1G 2984	Dowel-clutch to flywheel	2		
26	12H 2900	Ring gear-starter	1		
27	51K 1809	Screw	6		
28	12H 1303	Washer-lock	1		
29	12H 2275	DRIVE PLATE AND RING GEAR ASSEMBLY	1		
30	12H 2187 HNS 505	Ring gear-starter	NLA		
31	12H 2194	Screw	8		
32	12H 545	Washer-locking	8		
33	12H 537	Screw-drive plate to converter	4		
34	12H 2193	Washer-locking	4		
35	12H 1303	Screw-drive plate to crankshaft	6		
36	12H 2192	Washer-locking	1		
37	12H 2191	Plate-backing	1		
		Adaptor-crankshaft	1		

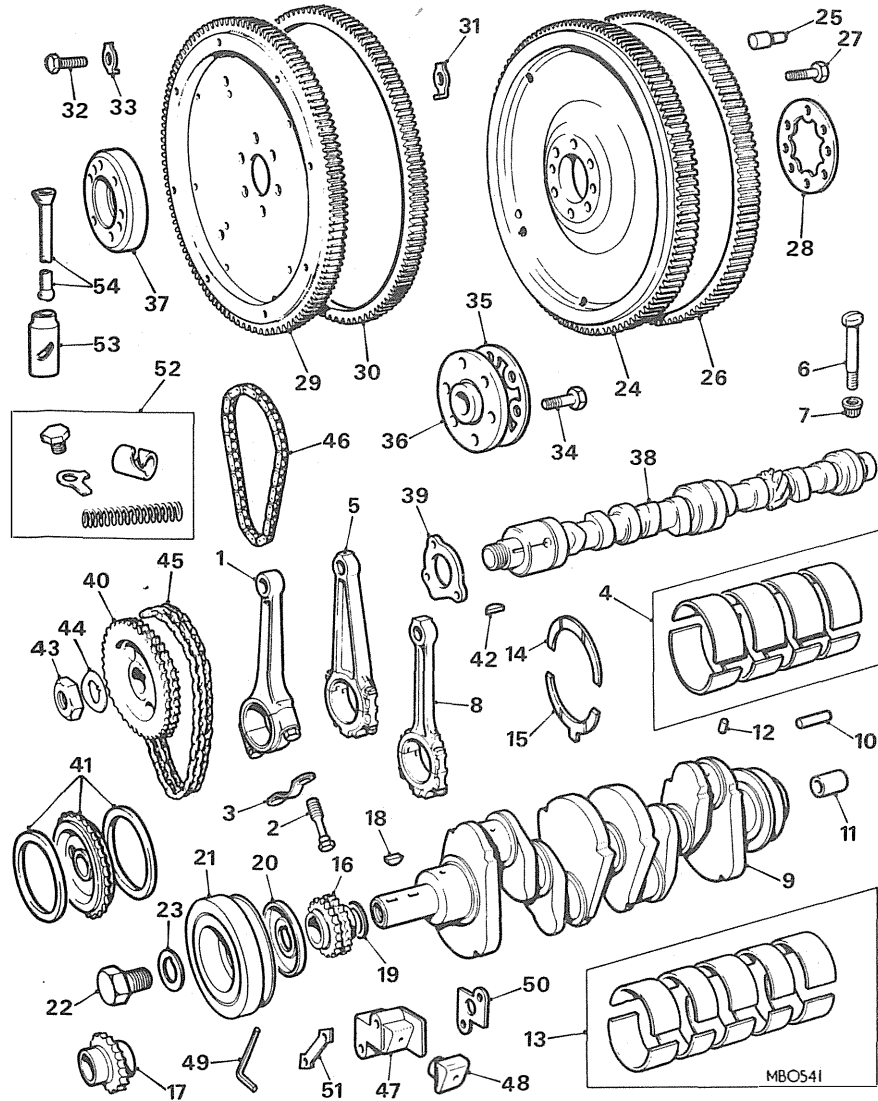


III. No.	Part No.	DESCRIPTION	Qty.	Change Point	REMARKS
----------	----------	-------------	------	--------------	---------

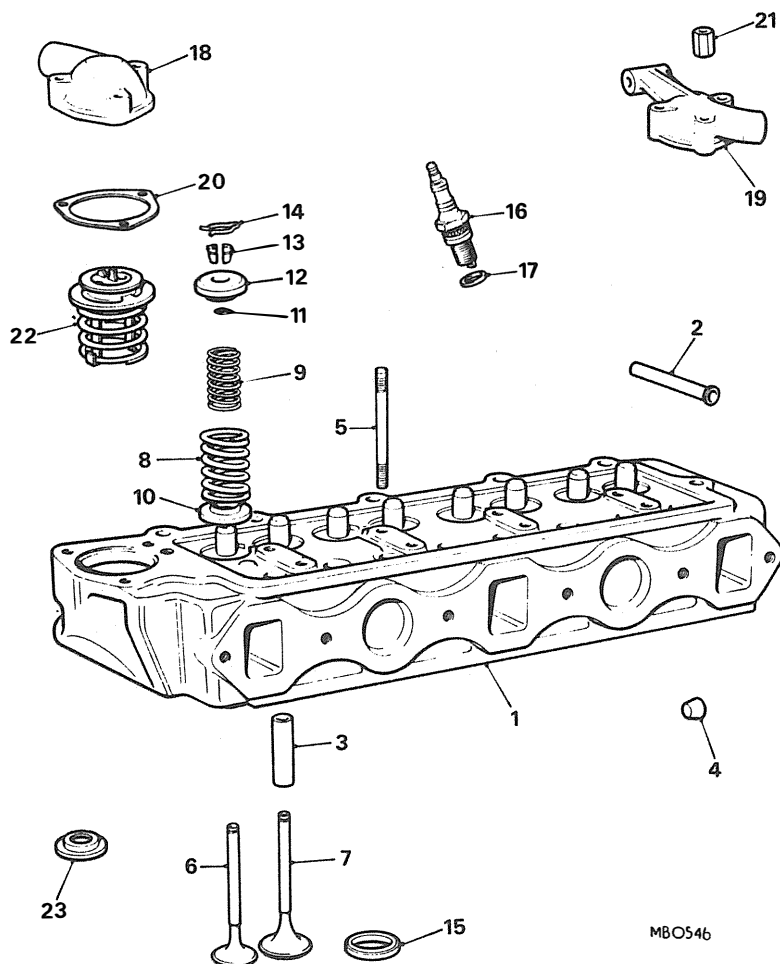
ENGINE UNIT-1800cc,18GB,18GD,18GF,18GG,18GH,18GJ,18GK AND 18V-continued

38	88G 303	Camshaft.....	1		
38	CAM 1156	Camshaft.....	1		(E)18V/797AE/101 ON (E)18V/797AE/101 ON (E)18V/801AE/101 ON (E)18V/802AE/101 ON
39	12H 1673	Plate-camshaft locating.....	1		
	SH 604061	Screw.....	3		
	LWN 404	Washer-lock.....	3		
40	11G 203	Gear-camshaft.....	1		
41	12H 4200	Gear-camshaft.....	1		Use prior to 12H 4200 (E)18V/581/H4106 TO(+) (E)18V/581/L1029 TO(+) (E)18V/582/H11379 TO(+) (E)18V/583/H546 TO(+) (E)18V/584Z/L19493 TO(+) (E)18V/585Z/L2578 TO(+) (E)18V/672Z/L3034 ON (E)18V/673Z/L322 ON (E)18V/779F/101 ON (E)18V/780F/101 ON
42	WKN 505	Key.....	1		
43	6K 629	Nut.....	1		
44	2A 759	Washer-lock.....	1		
45	2H 4905	Chain-timing.....	1		Use prior to 3H 2127 (E)18V/581/H4106 TO(+) (E)18V/581/L1029 TO(+) (E)18V/582/H11379 TO(+) (E)18V/583/H546 TO(+) (E)18V/584Z/L19493 TO(+) (E)18V/585Z/L2758 TO(+) (E)18V/672Z/L3034 ON (E)18V/673Z/L322 ON (E)18V/779F/101 ON (E)18V/780F/101 ON
46	3H 2127	Chain-timing.....	1		

(+) Change point not available



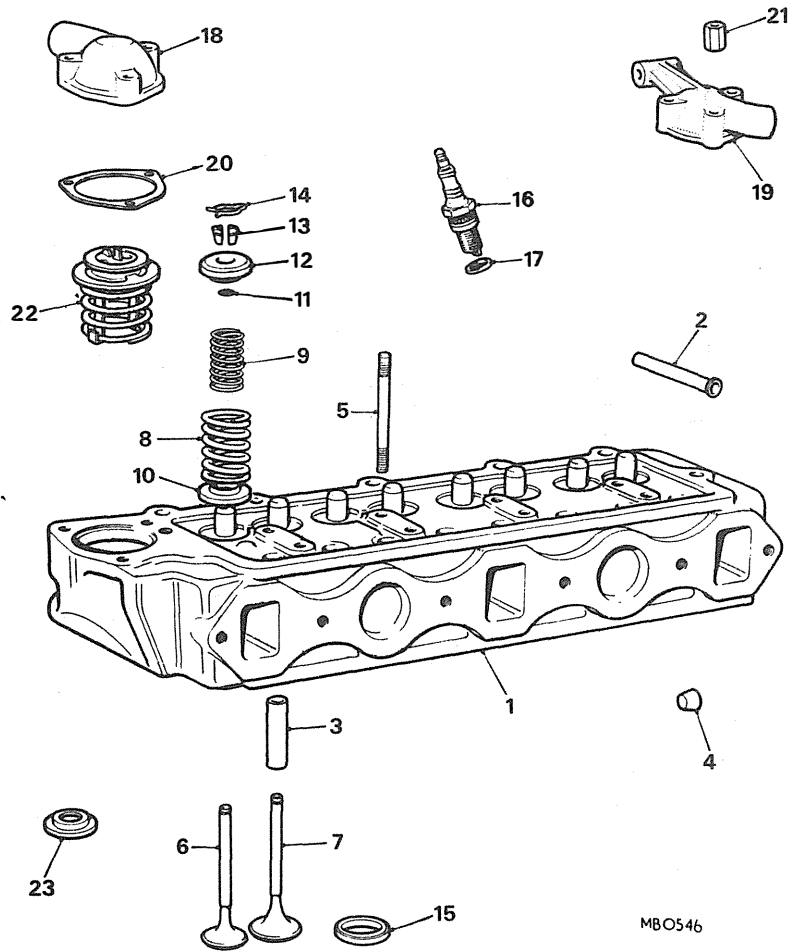
III. No.	Part No.	DESCRIPTION	Qty.	Change Point	REMARKS
ENGINE UNIT-1800cc,18GB,18GD,18GF,18GG,18GH,18GJ,18GK AND 18V-continued					
47	12H 3292	Tensioner-chain	1		} Alternatives
47	17H 6680	TENSIONER ASSEMBLY-CHAIN	1		
48	17H 31	Slipper head	1		} Service purposes only
49	17H 6679	Key-Allen-tensioner	1		
50	AEC 339	Gasket-tensioner	1		} Alternative in sets
	HBN 412	Bolt	2		
51	AEC 340	Washer-tab	1		} Use prior to 12H 3357 and 2A 13 (E)18V/-/101 ON
42	17H 341	KIT-CHAIN TENSIONER-REPAIR	1		
53	1H 822	Tappet	8		
54	11G 241	Push-rod	8		
54	12H 1306	Push-rod	8		
53	2A 13	Tappet	8		
54	12H 3357	Push-rod	8		



MBO546

Ill. No.	Part No.	DESCRIPTION	Qty.	Change Point	REMARKS
ENGINE UNIT-1800cc,18GB,18GD,18GF,18GG,18GH,18GJ,18GK AND 18V-continued					
1	48G 318	HEAD ASSEMBLY-CYLINDER (WITH GUIDES).....	1	(E)18GB/-/101 TO 91200 (E)18GD/-/101 TO 7000 (E)18GG/-/101 TO(+)	
1	12H 2708	HEAD ASSEMBLY-CYLINDER (WITH GUIDES).....	1	(E)18V/581/101 TO(+) (E)18V/582/101 TO(+) (E)18V/583/101 TO(+) (E)18V/779F/101 ON (E)18V/780F/101 ON	
1	12H 4735	HEAD ASSEMBLY-CYLINDER (WITH GUIDES).....	1	(E)18V/846/H101 ON (E)18V/847/H101 ON	
1	48G 538	HEAD ASSEMBLY-CYLINDER(WITH GUIDES AND INJECTOR TUBES).....	1	(E)18GF/-/101 TO 13650 (E)18GH/-/101 TO(+) (E)18GJ/-/22647 TO(+) (E)18GK/-/101 TO(+)	
1	48G 644	HEAD ASSEMBLY-CYLINDER(WITH GUIDES AND INJECTOR TUBES).....	1	(E)18V/584Z/101 TO(+) (E)18V/585Z/101 TO(+) (E)18V/672Z/L101 ON (E)18V/673Z/L101 ON	
1	BHM 1062	HEAD ASSEMBLY-CYLINDER(WITH GUIDES AND INJECTOR TUBES).....	1	(E)18V/797AE/101 ON (E)18V/798AE/101 ON (E)18V/801AE/101 ON (E)18V/802AE/101 ON	
2	12H 2459	Tube-air injection.....	4		Use with cylinder heads 48G 538 and 48G 644
3	12H 2222	Guide-inlet valve.....	4		
3	12B 1339	Guide-exhaust valve.....	4		
4	6K 872	Plug-oil hole.....	1		
5	51K 881	Stud-short.....	2		
5	51K 893	Stud-long.....	2		
	CHS 2515	Stud-water outlet elbow.....	3		
6	12H 435	Valve-inlet.....	4	(E)18GB/-/101 TO 92100	
7	12H 436	Valve-exhaust.....	4	(E)18GD/We/101 TO H835 and L1045	
8	12H 1679	Spring-valve-outer.....	8	(E)18GD/RWe/101 TO H1712 and L1136	
9	12H 176	Spring-valve-inner.....	8	(E)18GD/Rc/101 TO H103 and L106	
10	1H 1321	Collar-valve spring.....	8	(E)18GF/We/H101 TO 2158	
11	AEK 113	Ring-valve packing.....	8	(E)18GF/RWe/H101 TO 530	
12	12H 992	Cap-valve spring.....	8	(E)18GF/Rc/H101 TO 102	
13	1K 800	Cotter-valve.....	8		
14	1K 372	Circlip-valve cotter.....	8		

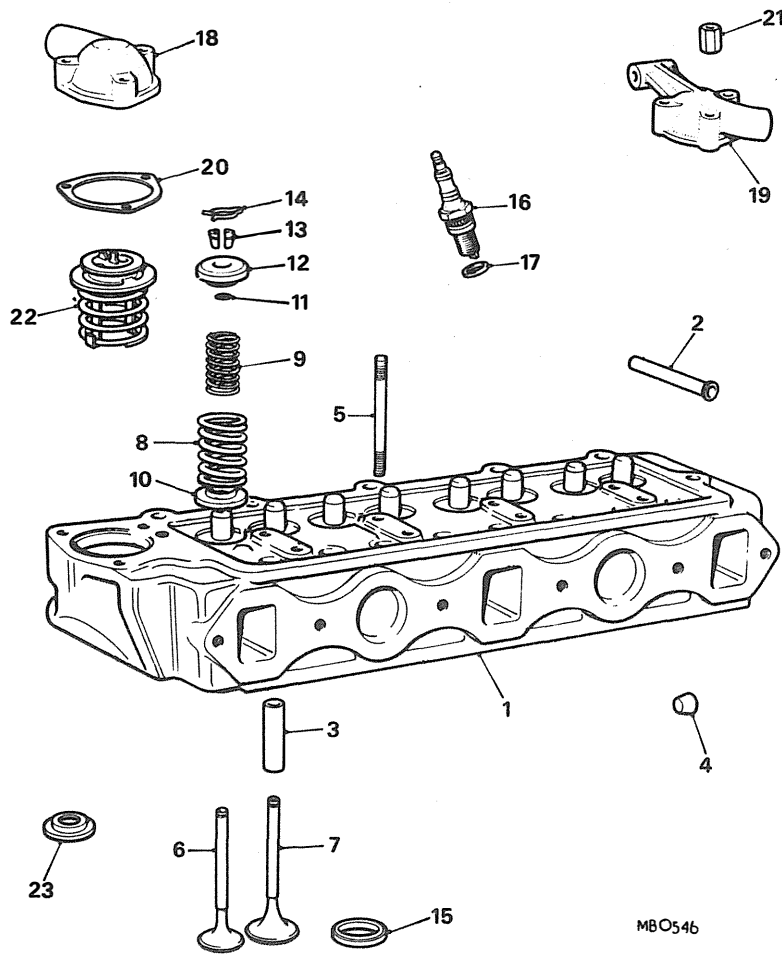
(+) Change point not available.



MBO546

Ill. No.	Part No.	DESCRIPTION	Qty.	Change Point	REMARKS
ENGINE UNIT-1800cc,18GB,18GD,18GF,18GG,18GH,18GJ,18GK AND 18V-continued					
6	12H 2115	Valve-inlet	4	(E) 18GD/We/H836 TO 6700 AND L1046 TO 7000	Use CAM 1377
7	12H 2116	Valve-exhaust	NLA		
7	CAM 1377	Valve-exhaust	4		
8	12H 1679	Spring-valve-outer	8	(E) 18GD/RWe/H1713 TO 7000 and L1137 TO 7000	
9	12H 176	Spring-valve-inner	8		
10	1H 1321	Collar-valve spring	8		
11	AEK 113	Ring-valve packing	8	(E) 18GD/Rc/H104 TO 240 AND L107 TO 230	
12	12H 3309	Cup-valve spring	8	(E) 18GF/We/H2159 TO 13650	
13	12H 2117	Cotter-valve	8PRS	(E) 18GF/RWe/H531 TO 10500	
				(E) 18GF/Rc/H103 TO 105	
				(E) 18GG/-/101 TO(+)	
				(E) 18GH/-/101 TO(+)	
				(E) 18GJ/-/22647 TO(+)	
6	12H 2520	Valve-inlet	4	(E) 18GK/-/101 TO(+)	Use CAM 1377
				(E) 18V/-/101 ON	
				Use prior to 12H 4211.	
6	12H 4211	Valve-inlet	4	(E) 18V/797AE/101 ON	
				(E) 18V/798AE/101 ON	
				(E) 18V/801AE/101 ON	
				(E) 18V/802AE/101 ON	
				(E) 18V/846/H101 ON	
				(E) 18V/847/H101 ON	
7	12H 2116	Valve-exhaust	NLA		
7	CAM 1377	Valve-exhaust	4		
8	12H 3352	Spring-valve	8		
10	12H 3354	Collar-valve spring	8	(E) 18V/-/101 ON	
23	12H 3353	Cap-valve spring	8		
11	AEK 113	Ring-valve packing	8		
13	12H 2117	Cotter-valve	8PRS		
15	12H 461	Insert-valve seat-inlet	4	Use prior to 12H 4423 and 12H 462	Service purposes only
15	12H 462	Insert-valve seat-exhaust	4		
15	12H 4423	Insert-valve seat-inlet	4		
15	12H 462	Insert-valve seat-exhaust	4	(E) 18V/-/101 ON	7
	FHS 2513	Stud	2		
	FHS 2515	Stud	4		
16	N 9 Y	PLUG ASSEMBLY-SPARKING	4		
17	88G 219	Gasket-plug	4		

(+) Change point not available.



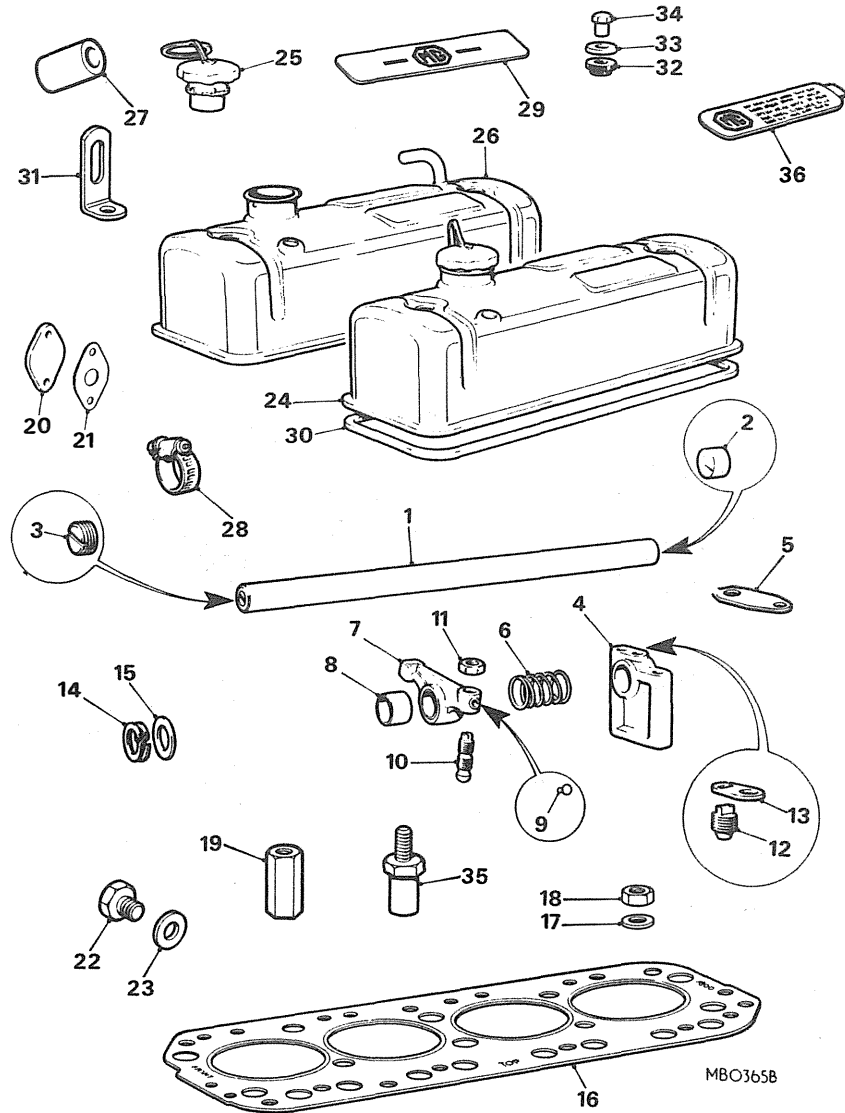
MBO546

Ill. No.	Part No.	DESCRIPTION	Qty.	Change Point	REMARKS
ENGINE UNIT-1800cc,18GB,18GD,18GF,18GG,18GH,18GJ,18GK AND 18V-continued					
18	12H 797	Elbow-water outlet.....	1	(E)18GB/-/101 TO 91200	
18	12H 2556	Elbow-water outlet.....	1	(E)18GD/-/101 TO 7000	
				(E)18GG/-/101 TO(+)	
				(E)18V/581/101 TO(+)	
				(E)18V/582/101 TO(+)	
				(E)18V/583/101 TO(+)	
				(E)18V/799F/101 ON	
				(E)18V/780F/101 ON	
19	12H 2447	Elbow-water outlet.....	1	(E)18GF/-/101 TO 13650	
				(E)18GH/-/101 TO(+)	
				(E)18GJ/-/22647 TO(+)	
				(E)18GK/-/101 TO(+)	
				(E)18V/584Z/101 TO(+)	
				(E)18V/585Z/101 TO(+)	
				(E)18V/672Z/L101 ON	
				(E)18V/673Z/L101 ON	
20	GTG 101	Gasket-elbow.....	1		
	PWZ 105	Washer-plain	3		
	FNZ 105	Nut.....	3	(E)18GB/-/101 TO 91200	
				(E)18GD/-/101 TO 7000	
				(E)18GG/-/101 TO(+)	
				(E)18V/581/101 TO(+)	
				(E)18V/582/101 TO(+)	
				(E)18V/583/101 TO(+)	
				(E)18V/779F/101 ON	
				(E)18V/780F/101 ON	
				(E)18GF/-/101 TO 13650	
				(E)18GH/-/101 TO(+)	
				(E)18GJ/-/22647 TO(+)	
				(E)18GK/-/101 TO(+)	
				(E)18V/584Z/101 TO(+)	
				(E)18V/585Z/101 TO(+)	
				(E)18V/672Z/L101 ON	
				(E)18V/673Z/L101 ON	
21	FNZ 105	Nut.....	2		
	51K 1177	Nut.....	1		
				(E)18GB/-/101 TO 91200	
				(E)18GD/-/101 TO 7000	
				(E)18GG/-/101 TO(+)	
				(E)18V/581/101 TO(+)	
				(E)18V/582/101 TO(+)	
				(E)18V/583/101 TO(+)	
				(E)18V/779F/101 ON	
				(E)18V/780F/101 ON	
				(E)18GF/-/101 TO 13650	
				(E)18GH/-/101 TO(+)	
				(E)18GJ/-/22647 TO(+)	
				(E)18GK/-/101 TO(+)	
				(E)18V/584Z/101 TO(+)	
				(E)18V/585Z/101 TO(+)	
				(E)18V/672Z/L101 ON	
				(E)18V/673Z/L101 ON	
		THERMOSTAT			
22	GTS 102	74C(165F).....	1		Hot countries
22	GTS 104	82C(180F).....	1		Standard
22	GTS 109	88C(190F).....	1		Cold countries

(+) Change point not available

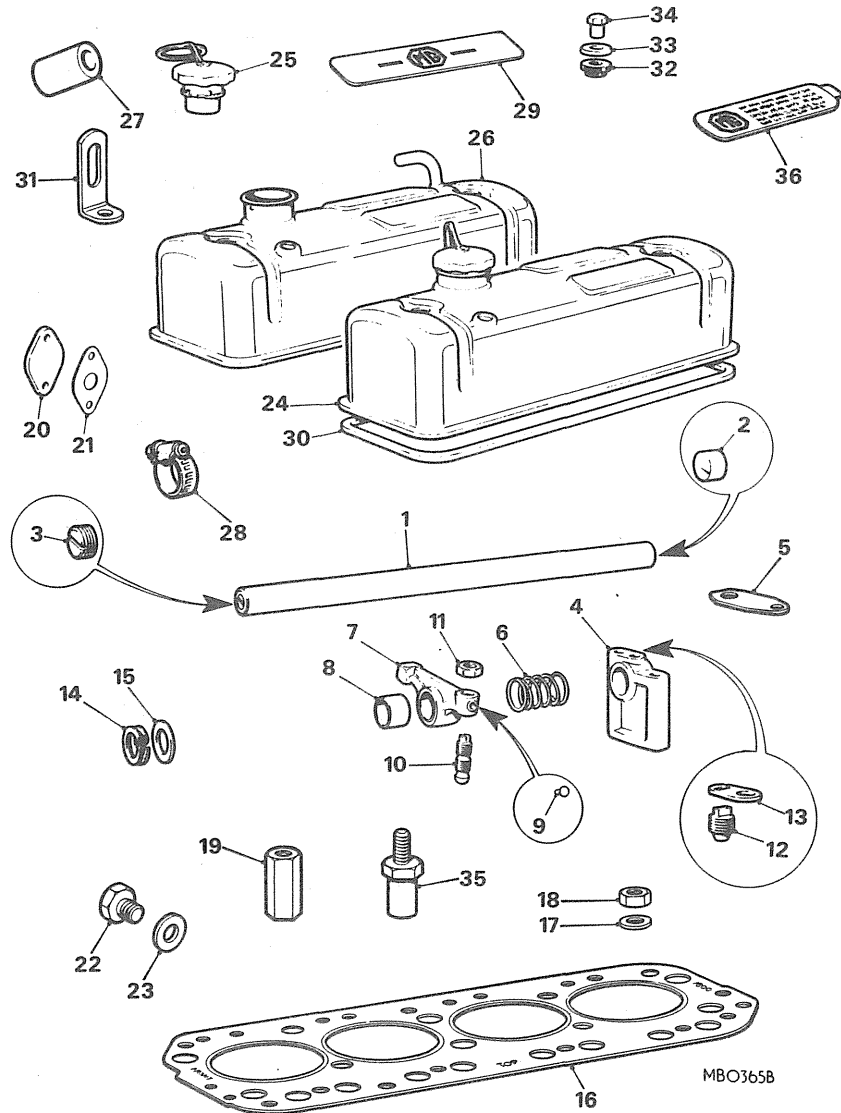
MGB

MGB-TOURER,GT AND V8-UPTO SEPTEMBER 1976



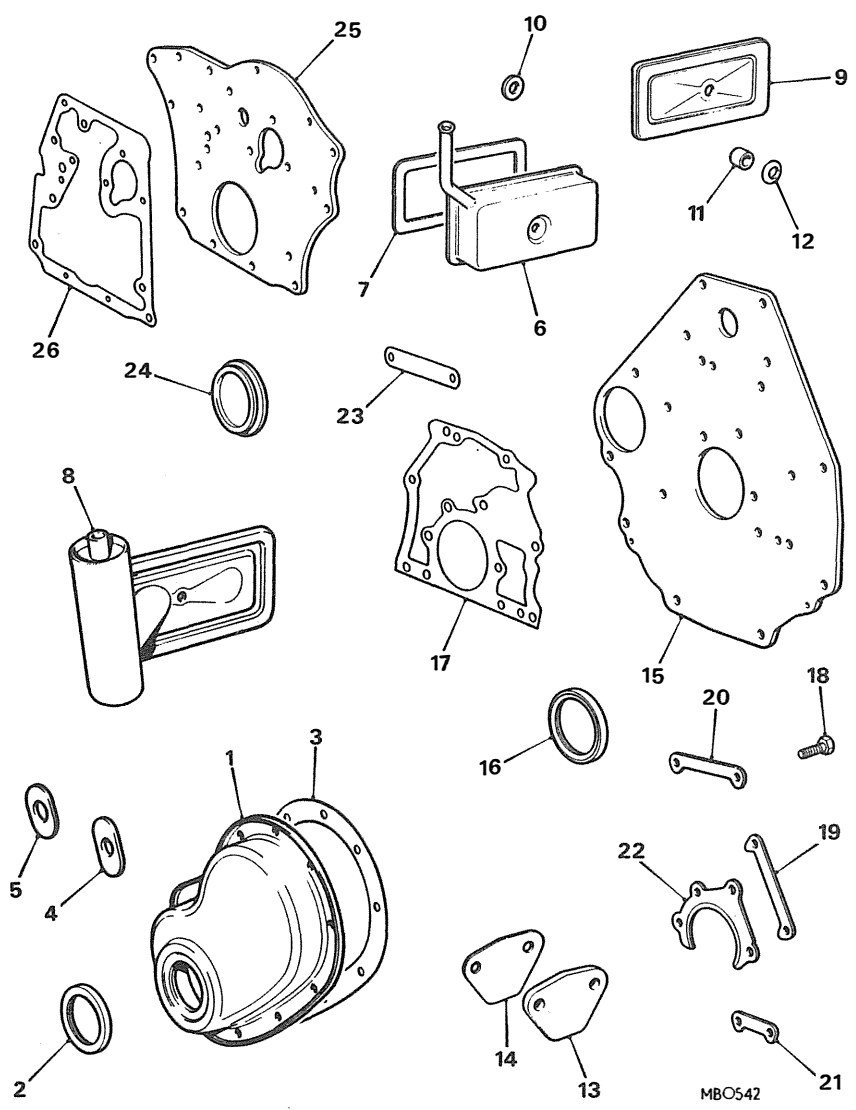
III. No.	Part No.	DESCRIPTION	Qty.	Change Point	REMARKS
ENGINE UNIT-1800cc,18GB,18GD,18GF,18GG,18GH,18GJ,18GK AND 18V-CONTINUED					
1	11G 62	SHAFT ASSEMBLY-VALVE ROCKER-PLUGGED.....	1		
2	6K 878	Plug-plain.....	1		
3	2K 4608	Plug-screwed.....	1		
4	12H 389	Bracket-tapped-rocker shaft.....	1		
4	12H 390	Bracket-plain-rocker shaft.....	3		
	12H 4737	Bracket-rocker shaft-tapped.....	1		(E)18V/797AE/101 ON (E)18V/798AE/101 ON (E)18V/801AE/101 ON (E)18V/802AE/101 ON (E)18V/846/H101 ON (E)18V/847/H101 ON
5	12H 3960	Shim-centre bracket.....	2		
6	6K 871	Spring-rocker spacing.....	3		
7	12H 3377	ROCKER ASSEMBLY-VALVE (BUSHED).....	8		
8	1G 2295	Bush-valve rocker.....	8		
9	5C 2486	Rivet-bush.....	8		
10	12H 3376	Screw-tappet-adjusting.....	8		
11	51K 1178	Nut-tappet-adjusting.....	8		
12	2A 258	Screw-locating-rocker shaft.....	1		
13	2A 259	Plate-locking-locating screw.....	1		
14	1A 2139	Washer-double-coil-rocker shaft.....	2		
15	2K 6804	Washer-rocker shaft.....	2		
	PWN 105	Washer-plain.....	3		
	LWN 305	Washer-spring.....	4		
	FNN 105	Nut.....	4		
16	GEG 366	Gasket-cylinder head.....	1		Use prior to GEG 377 (E)18V/581/H5302 TO(+) (E)18V/582/H22277 TO(+) (E)18V/583/H871 TO(+) (E)18V/672Z/L21739 ON (E)18V/673Z/L3178 ON (E)18V/779F/H101 ON (E)18V/780F/H101 ON
16	GEG 377	Gasket-cylinder head.....	1		
17	12H 2178	Washer-plain.....	11		
18	51K 371	Nut.....	11		Quantity reduced to 10 for EPAI engines
19	12H 2463	Nut-long.....	1		
20	1G 1282	Plate-blanking-heater outlet elbow.....	1		
21	12H 3868	Gasket-blanking plate.....	1		
	HZS 404	Screw.....	2		
	LWN 304	Washer-spring.....	2		

(+) Change point not available

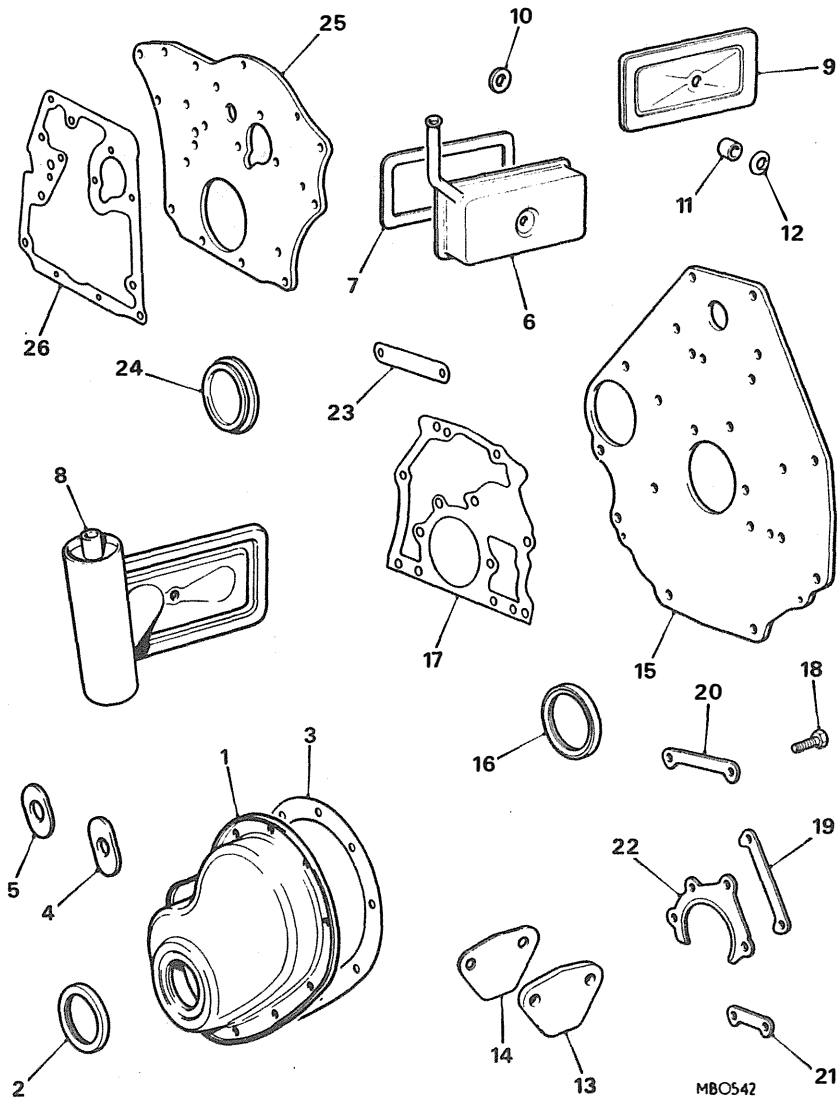


Ill. No.	Part No.	DESCRIPTION	Qty.	Change Point	REMARKS
ENGINE UNIT-1800cc,18GB,18GD,18GF,18GG,18GH,18GJ,18GK AND 18V-continued					
22	ADP 210	Plug-thermal transmitter boss	1	(E)18GB/-/101 TO	
23	1B 3664	Washer-plug	1	91200	
				(E)18GD/-/101 TO	
				7000	
				(E)18GG/-/101 TO(+)	
				(E)18V/581/101 ON	
				(E)18V/582/101 ON	
				(E)18V/583/101 TO(+)	
				(E)18V/779F/101 ON	
				(E)18V/780F/101 ON	
24	12H 1836	COVER ASSEMBLY-VALVE.....	1	(E)18GB/-/101 TO(+)	
25	13H 2296	Cap-oil filler	1	(E)18GD/-/101 TO(+)	
				(E)18GF/-/101 TO(+)	
				(E)18GG/-/101 TO(+)	
				(E)18V/581/101 ON	
				(E)18V/582/101 ON	
				(E)18V/583/101	
				TO(+)	
				(E)18V/779F/101 ON	
				(E)18V/780F/101 ON	
				(E)18GH/-/20289	
				TO(+)	
26	12H 3252	COVER ASSEMBLY-VALVE ROCKER.....	1	(E)18GJ/-/22647	
25	13H 2296	Cap-oil filler	1	TO(+)	
27	1K 2158	Cap-end-adaptor	1	(E)18GK/-/101 TO(+)	
28	GHC 406	Clip-cap.....	1	(E)18V/584Z/101	
26	12H 3252	Cover-valve rocker	1	TO(+)	
25	12A 402	Cap-oil filler(non-vented).....	1	(E)18V/585Z/101	
29	12G 826	Nameplate-M.G.(self-adhesive).....	1	TO(+)	
				(E)18V/672Z/L101 ON	
				(E)18V/673Z/L101 ON	
30	GEG 402	Gasket-rocker cover	1		
31	12A 1968	Bracket-engine sling.....	2	(E)18GB	
32	12A 1358	Bush-cover(rubber).....	2	(E)18GD, 18GF, 18GG,	
33	1A 2156	Washer-cup	2	18GH, 18GJ, 18GK	
34	2A 150	Nut-cap-rocker cover	2	and 18V	
35	12H 2557	Nut-cap-rocker	2	(E)18GF/-/101	
				TO 13650	
36	AHH 8894	Plate-name and instruction-LHD	NLA	(E)18GH/-/101 TO(+)	
				(E)18GJ/-/101 TO(+)	
				(E)18GK/-/101 TO(+)	
				(E)18V/584Z/101	
				TO(+)	
				(E)18V/585Z/101	
				TO(+)	
				(E)18V/672Z/L101 ON	
				(E)18V/673Z/L101 ON	

(+) Change point not available

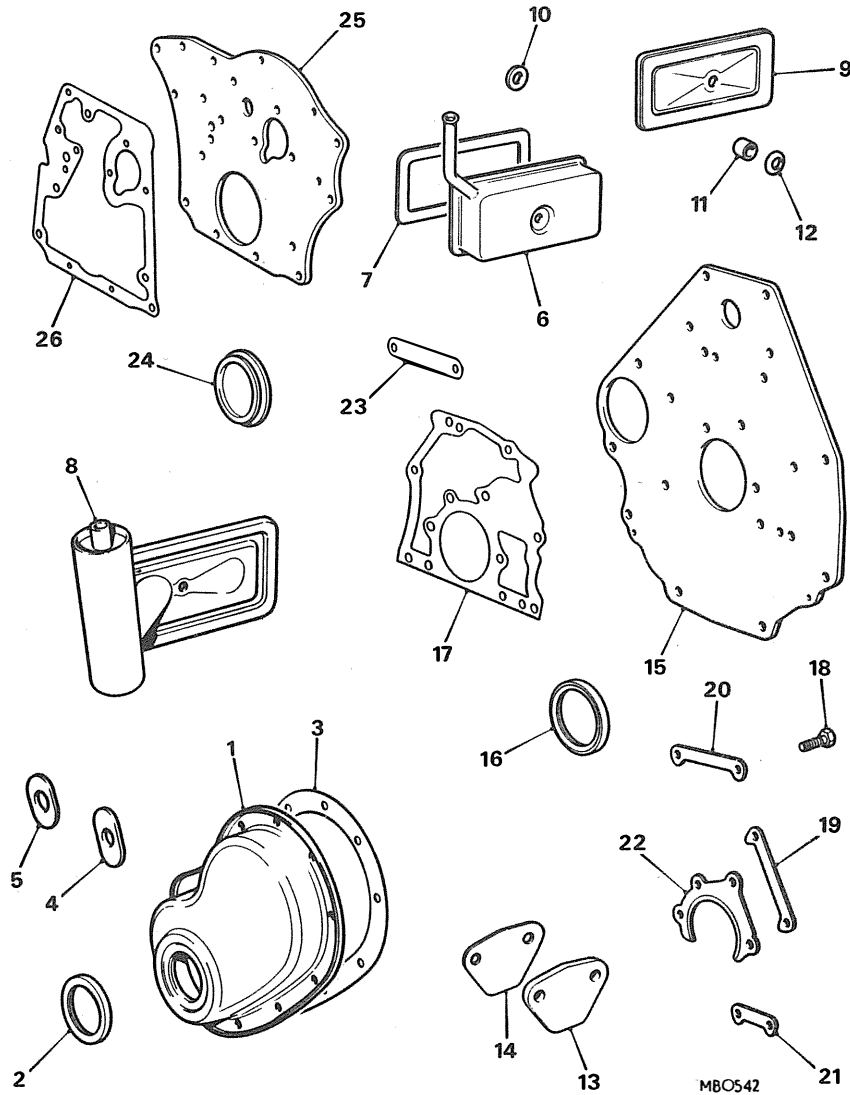


Ill. No.	Part No.	DESCRIPTION	Qty.	Change Point	REMARKS
ENGINE UNIT-1800cc,18GB,18GD,18GF,18GG,18GH,18GJ,18GK AND 18V-continued					
1	12H 3317	COVER ASSEMBLY-FRONT	1	Use prior to 12H 3510	Use with crankshaft pulley 12H 3515 Germany and Switzerland 1975 on.
1	12H 3510	COVER ASSEMBLY-FRONT	1	(E)18GG/RWE/H22443 TO(+) (E)18GG/RWE/L20208 TO(+) (E)18GG/We/H22339 TO(+) (E)18GK/RWe/H1055 TO(+) (E)18GK/We/H12014 TO(+) (E)18GK/Rc/H758 TO(+)	
1	CAM 1393	COVER ASSEMBLY-FRONT	1	(E)18V/-/101 ON (E)18V/797AE/101 ON (E)18V/798AE/101 ON (E)18V/801AE/101 ON (E)18V/802AE/101 ON (E)18V/846/H101 ON. (E)18V/847/H101 ON.	
2	88G 561	Seal-oil	1		
3	12H 1319	Gasket-crankcase front cover	1		
4	HZS 403	Screw	3		
4	2K 5197	Washer	3		
4	LWN 204	Washer-spring	3		
4	HZS 506	Screw	4		
5	2K 7440	Washer	4		
4	LWN 205	Washer-spring	4		
4	SH 604061	Screw	2		
4	2K 5197	Washer	2		
4	LWN 204	Washer-spring	2		

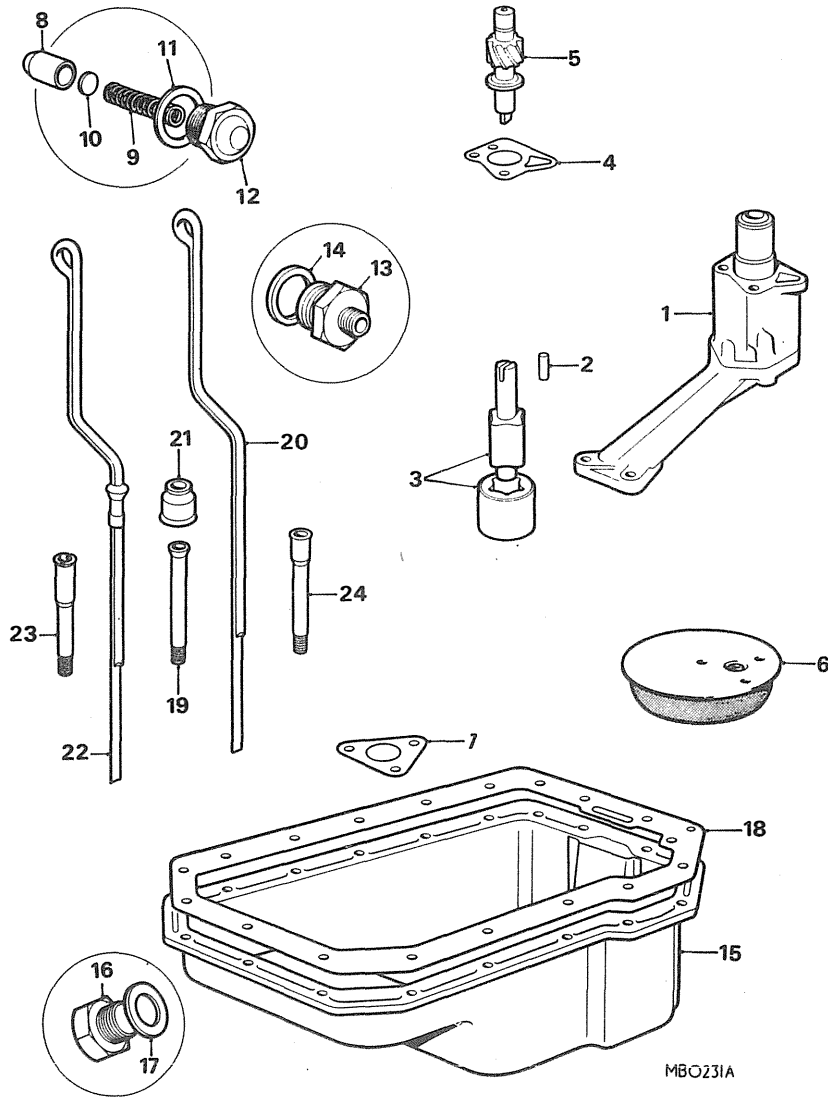


Ill. No.	Part No.	DESCRIPTION	Qty.	Change Point	REMARKS
ENGINE UNIT-1800cc,18GB,18GD,18GF,18GG,18GH,18GJ,18GK AND 18V-continued					
6	12H 1399	Cover-cylinder side-front.....	1	Use prior to 12H 3684	Not fitted to RECONDITIONED units
7	12A 1139 HBZ 520	Gasket.....	1		
8	12H 3684	Screw.....	1		
8	12H 3684	Cover-cylinder side-front (with oil separator).....	1	(E)18GG/RWe/ H23728 TO(+)	
7	12A 1175 HZS 509	Gasket.....	1	(E)18GG/We/ H23567 TO(+)	
		Screw.....	1	(E)18GG/Rc/ H867 TO(+)	
				(E)18GK/RWe/ H13906 TO(+)	
				(E)18GK/We/ H15223 TO(+)(plus 15034 TO 15100)	
				(E)18V/-/101 ON	
8	12H 4395	Cover-cylinder side-front(with oil separator).....	1	(E)18V/797AE/101 ON	
7	12A 1175 HZS 509	Gasket.....	1	(E)18V/798AE/101 ON	
		Screw.....	1	(E)18V/801AE/101 ON	
				(E)18V/802AE/101 ON	
				(E)18V/846/H101 ON	
				(E)18V/847/H101 ON	
9	12A 1386	Cover-cylinder side-rear.....	1	(E)18V/-/101 ON	
7	12A 1139 HBZ 514	Gasket.....	1		
		Screw.....	1		
10	12B 63 PWZ 105	Washer.....	2		
		Washer-plain.....	2		
11	12A 1176	Bush.....	1		
12	12A 1177	Cup.....	1		
7	12A 1175 HZS 510	Gasket.....	1		
		Bolt.....	1		
13	2A 265	Plate-blanking-petrol pump.....	1		
14	2A 113 LWZ 204	Gasket.....	1		
		Washer-spring.....	2		
		Screw.....	2		

(+) Change point not available



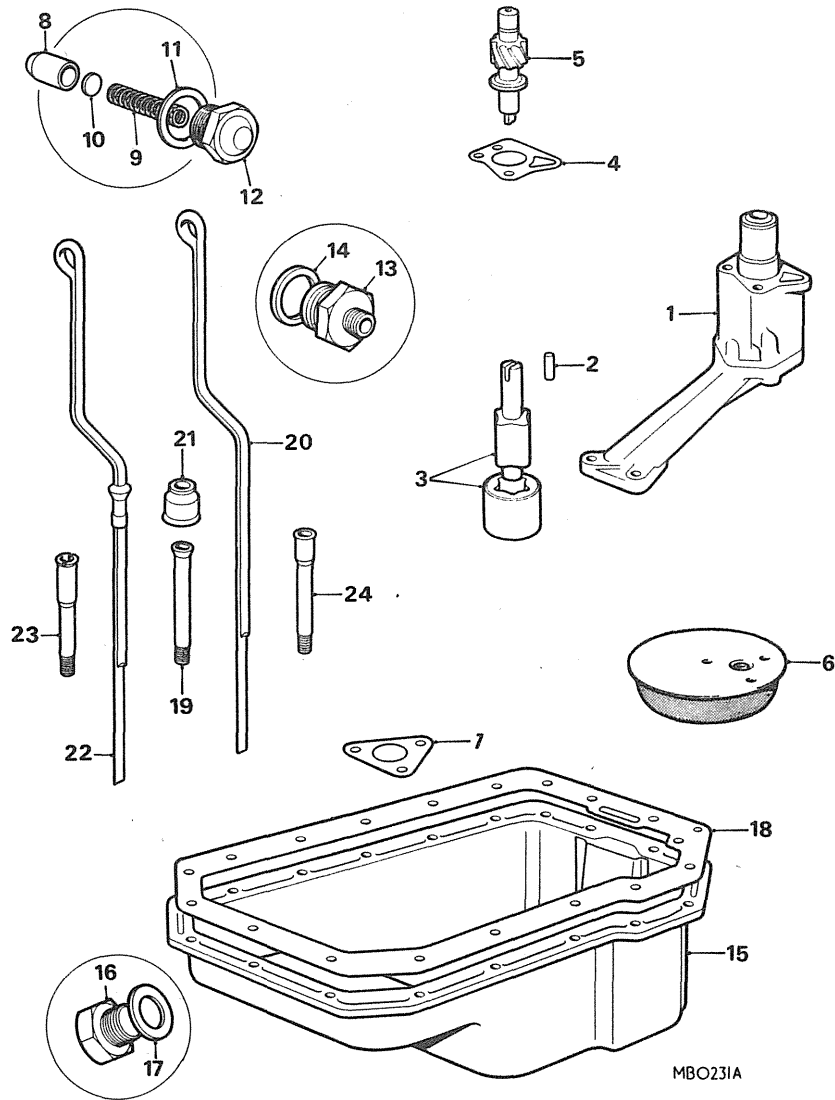
Ill. No.	Part No.	DESCRIPTION	Qty.	Change Point	REMARKS
ENGINE UNIT-1800cc,18GB,18GD,18GF,18GG,18GH,18GJ,18GK AND 18V-continued					
15	12H 2189	Plate-gearbox mounting.....	1	(E)18GD/-/101 TO 7000 (E)18GF/-/101 TO 13650 (E)18GG/-/101 TO(+) (E)18GH/-/101 TO(+) (E)18GJ/-/101 TO(+) (E)18GK/-/101 TO(+) (E)18V/-/101 ON	
16	13H 2457	Seal-oil-crankshaft rear.....	1		
17	12H 768	Gasket-mounting plate to crankcase.....	1		
18	53K 1810	Screw.....	8	(E)18GB/-/101 TO 91200	
	LWN 306	Washer-spring.....	8		
	HNS 507	Screw.....	4		
19	1H 1020	Plate-locking.....	1		
20	1H 1021	Plate-locking.....	1		
21	2K 6059	Plate-locking.....	2		
22	12H 1547	Plate-locking-screw and oil seal locating.....	1		
23	12H 762	Gasket-upper-mounting plate to crankcase.....	1		
	HZS 608	Screw.....	2		
	LWZ 306	Washer-spring.....	2		
24	12H 541	Cover-gearbox mounting plate.....	1	(E)18GD/-/101 TO 7000 (E)18GF/-/101 TO 13650 (E)18GG/-/101 TO(+) (E)18GH/-/101 TO(+) (E)18GJ/-/101 TO(+) (E)18GK/-/101 TO(+) (E)18V/-/101 ON	
25	12H 1387	Plate-engine mounting-front.....	1	Use prior to 12H 3583	
26	12H 3583	Plate-mounting-front.....	1	(E)18V/836Z/101 ON (E)18V/837Z/101 ON (E)18V/838Z/101 ON (E)18V/839Z/101 ON (E)18V/846/H101 ON (E)18V/847/H101 ON	
26	12H 1576	Gasket-mounting plate.....	1		
	HZS 506	Screw.....	3		
	LWN 305	Washer-spring.....	3		
	HZS 508	Bolt.....	1		
	FNZ 105	Nut.....	1		



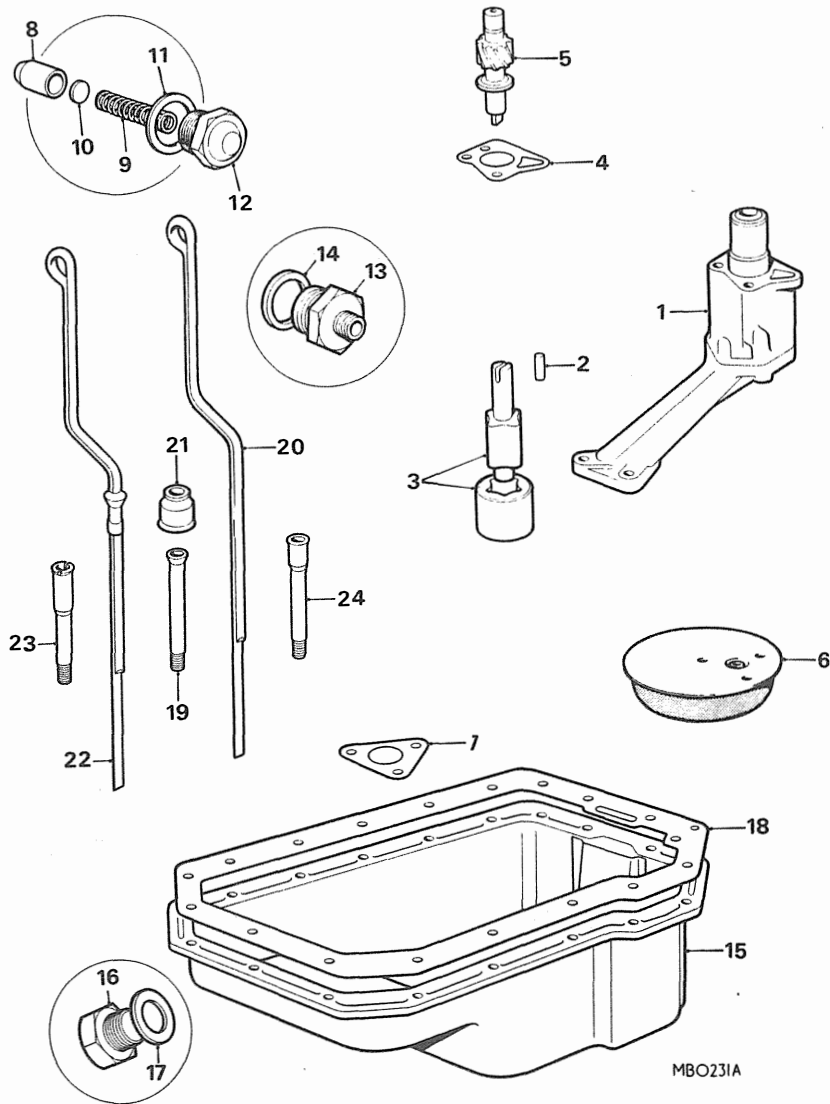
Ill. No.	Part No.	DESCRIPTION	Qty.	Change Point	REMARKS
----------	----------	-------------	------	--------------	---------

ENGINE UNIT-1800cc,18GB,18GD,18GF,18GG,18GH,18GJ,18GK AND 18V-continued

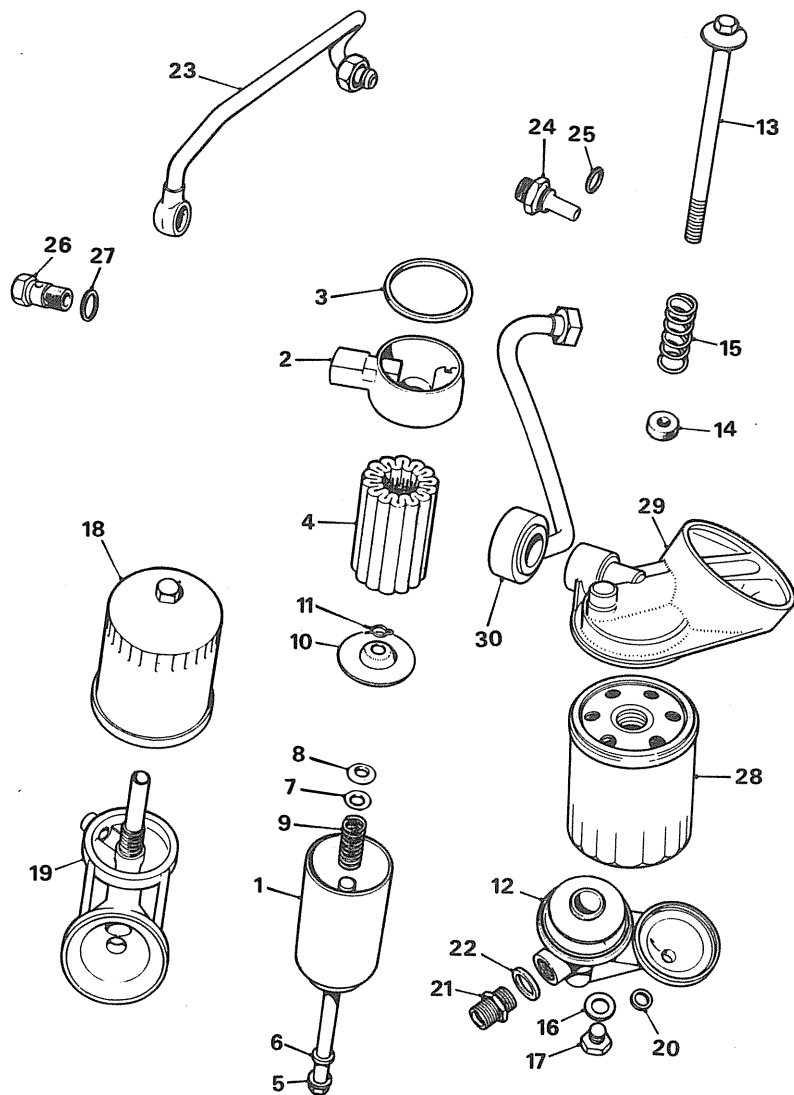
1	12H 1429	PUMP ASSEMBLY-OIL	1		
2	7H 1793	Dowel-cover	2		
	HZS 408	Screw	1		
	LWN 204	Washer-spring	2		
4	12H 1018	Gasket-pump to crankcase	1		
5	11G 12	Spindle-oil pump driving	1		
	PWN 105	Washer-plain	3		
	LWN 305	Washer-spring	8		
	FNN 105	Nut	3		
6	12H 1644	Strainer-oil	1		
7	88G 421	Gasket-strainer to pump	1		
	HZS 407	Bolt	1		
	HNS 412	Screw	2		
	LWN 304	Washer-spring	3		
8	12H 865	Valve-oil release	1		
9	1H 756	Spring-oil release valve	1		
10	AEH 798	Piece-packing-oil release valve	1		
11	6K 431	Washer-oil release valve cap nut	1		
12	12A 1851	Nut-cap-oil release valve	1		
13	11G 15	Union-oil pressure gauge pipe	1		
14	6K 638	Washer-union	1		
15	12H 3541	Reservoir-oil	1		
16	88G 257	Plug-drain	1		
17	6K 638	Washer-drain plug	1		
18	GEG 504	Gasket-reservoir to crankcase	1		
	HZS 404	Screw-reservoir to crankcase	18		
	LWZ 404	Washer-spring	18		



III. No.	Part No.	DESCRIPTION	Qty.	Change Point	REMARKS
ENGINE UNIT-1800cc,18GB,18GD,18GF,18GG,18GH,18GJ,18GK AND 18V-continued					
19	1B 1063	Tube-oil dipper rod.....	1	(E)18GB/-/101 TO	
20	12H 74	Rod-oil lever indicator.....	1	91200	
21	1B 1735	Cover-dust-oil level indicator.....	1	(E)18GD/-/101 TO 7000	
				(E)18GF/-/101 TO 13650	
22	12H 2964	Rod-oil dipper	1	(E)18GG/-/101 TO(+)	
				(E)18GH/-/101 TO(+)	
				(E)18GJ/-/22647 TO(+)	
				(E)18GK/-/101 TO(+)	
				(E)18V/581H/101 TO 1583	
				(E)18V/581L/101 TO 1013	
				(E)18V/582H/101 TO 2592	
				(E)18V/582L/101 TO 1207	
				(E)18V/583H/101 TO 257	
				(E)18V/584Z/101 TO(+)	
				(E)18V/585Z/101 TO(+)	
				(E)18V/672Z/101 ON	
				(E)18V/673Z/101 ON	
12H 3963		Rod-oil dipper	1	(E)18V/581H/1584 TO(+)	
				(E)18V/581L/1014 TO(+)	
				(E)18V/582H/2593 TO(+)	
				(E)18V/582L/1208 TO(+)	
				(E)18V/583H/258 TO(+)	
				(E)18V/779F/101 ON	
				(E)18V/780F/101 ON	



Ill. No.	Part No.	DESCRIPTION	Qty.	Change Point	REMARKS
ENGINE UNIT-1800cc,18GB,18GD,18GF,18GG,18GH,18GJ,18GK AND 18V-continued					
23	12H 3351	Tube-oil dipper rod.....	1	(E)18GG/RWe/H101 TO H22059 (E)18GG/RWe/L101 TO L20207 (E)18GG/We/H101 TO H21267 (E)18GG/Rc/H101 TO H757 (E)18GH/-/101 TO(+) (E)18GJ/-/22647 TO(+) (E)18GK/RWe/H101 TO H10072 (E)18GK/We/H101 TO 10951 (E)18GG/RWE/H22060 TO(+) (E)18GG/RWE/L20208 TO(+) (E)18GG/We/H21268 TO(+) (E)18GG/Rc/H758 TO(+) (E)18GK/RWE/H10073 TO(+) (E)18GK/We/H10952 TO(+) (E)18V/-/101 ON	
24	12H 3351	Tube-oil dipper rod.....	1		



MBOO208

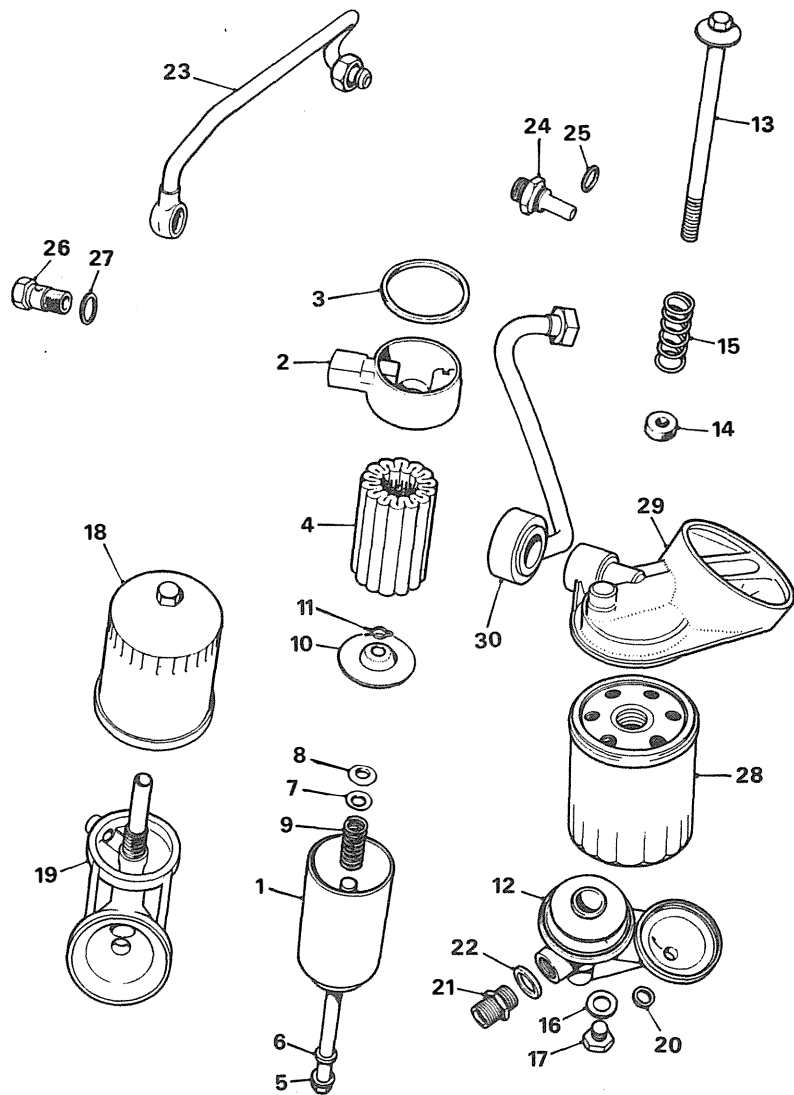
III. No.	Part No.	DESCRIPTION	Qty.	Change Point	REMARKS
----------	----------	-------------	------	--------------	---------

ENGINE UNIT-1800cc,18GB,18GD,18GF,18GG,18GH,18GJ,18GK AND 18V-continued

	NSP	FILTER ASSEMBLY-OIL (TECALEMIT).....	1		
1	1H 1069	Container.....	1		
2	8G 740	HEAD ASSEMBLY.....	1		
3	13H 998	Sealing ring-container to filter head.....	1		
4	GFE 102	Element-oil filter.....	1		
5	7H 1965	Bolt-centre.....	1		
6	7H 1948	Washer-sealing.....	1	(E)18GB/-/101 TO 91200	
	7H 1969	Washer(steel).....	1		
8	7H 1968	Washer(felt).....	1		
9	7H 1764	Spring.....	1		
10	17H 846	Plate-pressure.....	1		
11	7H 1952	Circlip.....	1		
3	8G 619	Sealing ring-filter head to crankcase.....	1		
	NSP	FILTER ASSEMBLY-OIL (TECALEMIT).....	1		
1	12H 2258	Container.....	1	(E)18GD/-/101 TO(+)	
12	12H 2244	Head-filter.....	1	(E)18GF/-/101 TO(+)	
3	13H 998	Ring-sealing.....	1	(E)18GG/RWe/H101 TO 12505	
4	GFE 102	Element.....	1	(E)18GG/RWE/L101 TO 7460	
13	37H 4505	Bolt-centre.....	1	(E)18GG/We/H101 TO 12299(LESS 12013 TO 12110)	
6	37H 4506	Washer-sealing.....	1	(E)18GG/We/L101 TO 9142(LESS 7407 TO 7410)	
5	7H 1765	Washer(steel).....	1	(E)18GG/Rc/H101 TO 526	
14	7H 1758	Washer(felt).....	1	(E)18GH/RWe/H101 TO 31823	
15	7H 1764	Spring.....	1	(E)18GH/We/H101 TO 32762(less 32590 TO 32600)	
10	17H 942	Plate-pressure.....	1		
11	17H 2877	Circlip.....	1		
16	37H 2806	Washer.....	1		
17	37H 2804	Plug.....	1		
3	8G 619	Sealing ring-filter to crankcase.....	1		

MGB

MGB TOURER AND GT

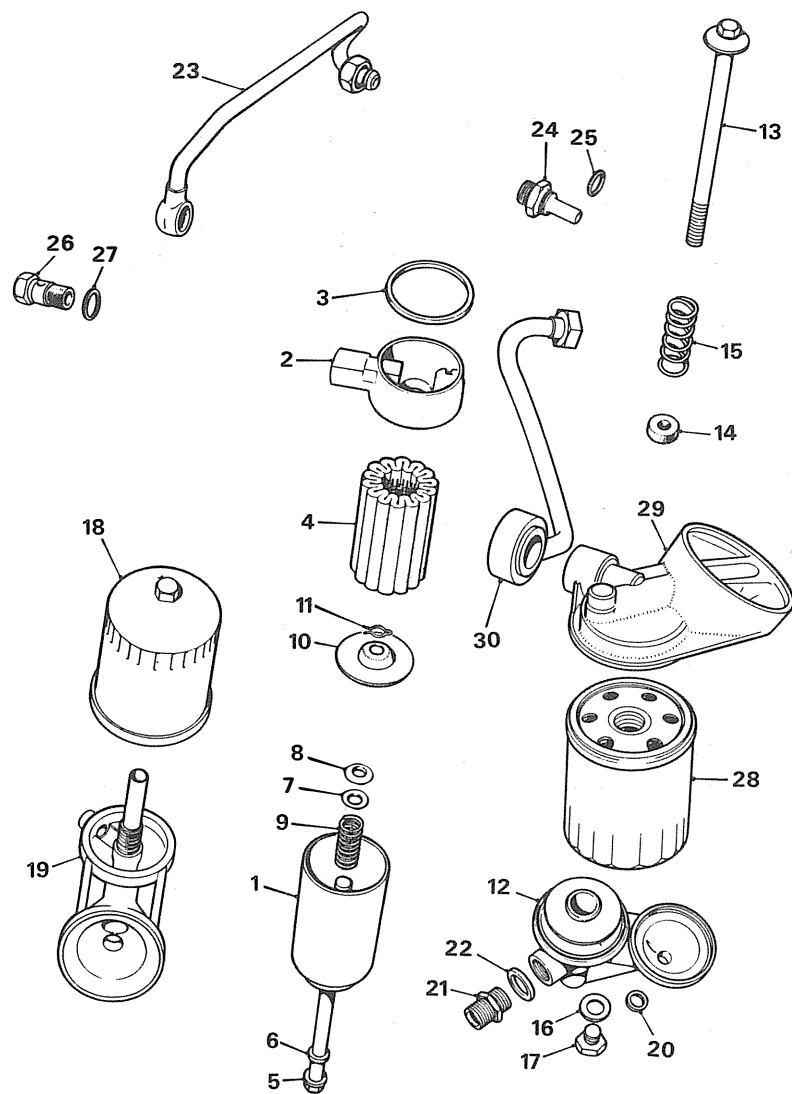


Ill. No.	Part No.	DESCRIPTION	Qty.	Change Point	REMARKS
----------	----------	-------------	------	--------------	---------

ENGINE UNIT-1800cc,18GB,18GD,18GF,18GG,18GH,18GJ,18GK AND 18V-continued

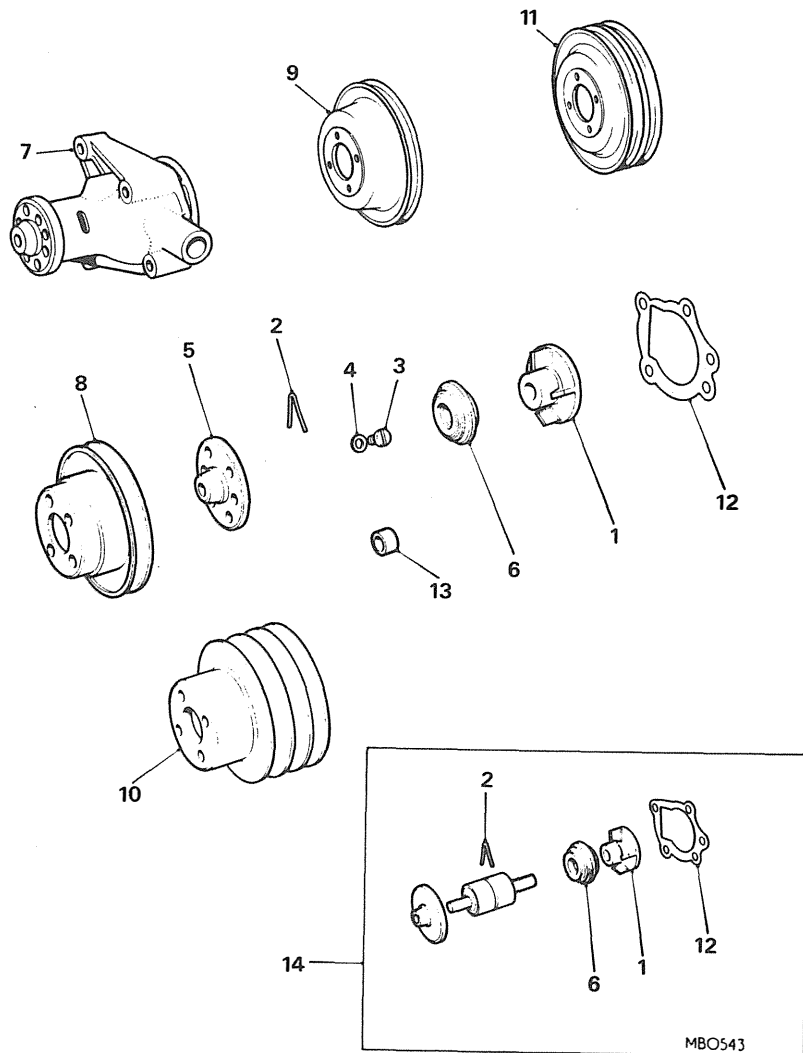
18	GFE 114	FILTER ASSEMBLY-OIL (CARTRIDGE).....	1	(E)18GG/RWe/H12506 TO(+)
3	12H 3275	Ring-sealing.....	1	(E)18GG/RWe/L7461 TO(+)
19	12H 3273	Head.....	1	(E)18GG/We/H12300 TO(+)
3	8G 619	Sealing ring-filter to crankcase.....	1	(Plus 12013 TO 12110) (E)18GG/We/L9143 TO(+) (Plus 7407 TO 7410) (E)18GG/Rc/H527 TO(+) (E)18GH/RWe/H31824 TO(+) (E)18GH/We/H32763 TO(+) (Plus 32590 TO 32600) (E)18GJ/-/101 TO(+) (E)18GK/-/101 TO(+) (E)18V/581/H101 TO 5265 (E)18V/581/L101 TO 1071 (E)18V/582/H101 TO 21954 (E)18V/582/L101 TO 1248 (E)18V/583/H101 TO 870 (E)18V/583/L101 TO(+) (E)18V/670Z/L101 TO 21325 (E)18V/673Z/L101 TO 3157

MBOO20B

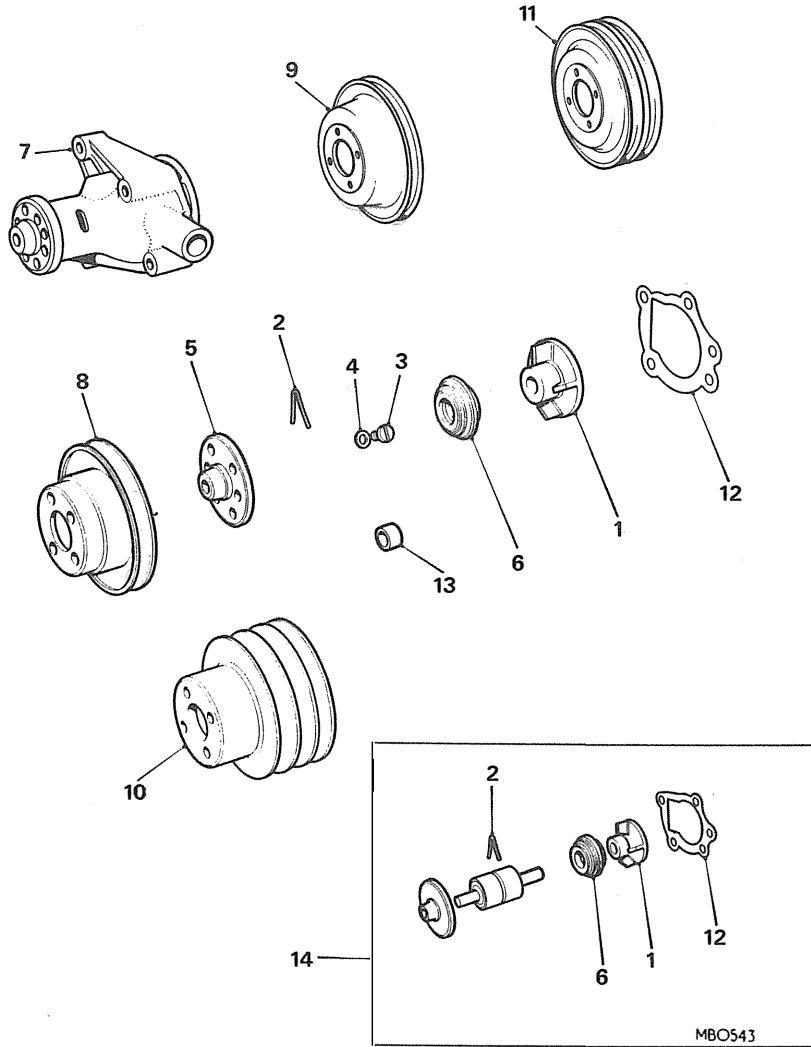


MBOO208

Ill. No.	Part No.	DESCRIPTION	Qty.	Change Point	REMARKS
ENGINE UNIT-1800cc,18GB,18GD,18GF,18GG,18GH,18GJ,18GK AND 18V-continued					
28	GFE 148	FILTER-OIL(CARTRIDGE)	1	(E)18V/581/H5266	
29	12H 4405	Head-filter	1	TO(+)	
	8G 619	Sealing ring-filter to crankcase.....	1	(E)18V/581/L1072	
				TO(+)	
				(E)18V/582/H21955	
				TO(+)	
				(E)18V/582/L1249	
				TO(+)	
				(E)18V/583/H871	
				TO(+)	
				(E)18V/583/L(+)	
				TO(+)	
				(E)18V/672Z/L21326	
				ON	
				(E)18V/673Z/L3158	
				ON	
				(E)18V/779F/H101 ON	
				(E)18V/780F/H101 ON	
				(E)18GD/-/101 TO	
				7000	
				(E)18GF/-/101 TO	
				13650	
				(E)18GG/-/101 TO(+)	
				(E)18GH/-/101 TO(+)	
				(E)18GJ/-/22647	
				TO(+)	
				(E)18GK/-/TO(+)	
				(E)18V/-/101 ON	
23	1H 1056	Pipe-filter to crankcase.....	1	Use prior to]Not used when oil cooler is fitted
				12H 4259	
30	12H 4259	Pipe-oil.....	1	(E)18V/581/H5266	
				TO(+)	
				(E)18V/581/L1072	
				TO(+)	
				(E)18V/582/H2195	
				TO(+)	
				(E)18V/582/L1249	
				TO(+)	
				(E)18V/583/H871	
				TO(+)	
				(E)18V/583/L(+)	
				TO(+)	
				(E)18V/672Z/L21326	
				ON	
				(E)18V/673Z/L3158	
				ON	
				(E)18V/779F/H101 ON	
				(E)18V/780F/H101 ON	
24	1H 922	Adaptor-fullflow filter connection.....	1]Used when oil COOLER IS FITTED
		Gasket-adaptor.....	1		
25	6K 501	Screw-banjo union	1		
26	1K 2142	Washer-outer-screw	1	(E)18GB/-/101 ON	
27	1H 898	Washer-inner.....	1	91200	
27	6K 501	Washer-inner.....	1		

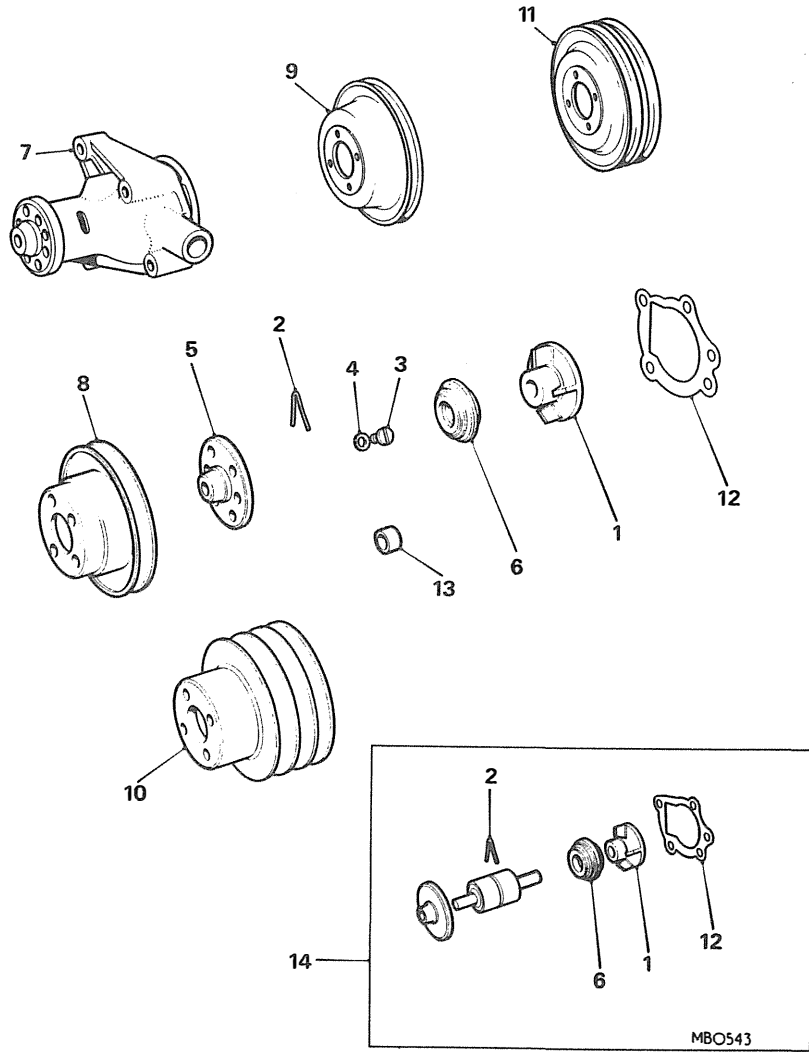


Ill. No.	Part No.	DESCRIPTION	Qty.	Change Point	REMARKS
ENGINE UNIT-1800CC,18GB,18GF,18GG,18GH,18GJ,18GK AND 18V-contd.					
8	12B 174	Pulley-fan and water pump	NLA		
9	12H 3696	Pulley-fan and water pump	1		Use prior to 12H 3696 OR 12H 2452 (E)18V/581/101 TO (+) (E)18V/582/101 TO (+) (E)18V/583/101 TO (+) (E)18V/779F/101 ON (E)18V/780F/101 ON (E)18GF/-/101 TO 13650 (E)18GH/-/101 TO (+) (E)18GJ/-/22647 TO (+) (E)18GK/-/101 TO (+) (E)18V/584Z/101 TO (+) (E)18V/585Z/101 TO (+) (E)18V/672Z/101 ON (E)18V/673Z/101 ON
10	12H 2452	Pulley-fan and water pump	1		
11	12H 3700	Pulley-fan and water pump	1		
	BHH 1864	Pulley-fan and water pump	1		Germany and Switzerland 1975 ON
	CHM 56	Pulley-fan and water pump	1		(E)18V/846/H101 ON (E)18V/847/H101 ON



Ill. No.	Part No.	DESCRIPTION	Qty.	Change Point	REMARKS
ENGINE UNIT-1800cc,18GB,18GF,18GG,18GH,18GJ,18GK AND 18V-continued					
		PUMP ASSEMBLY-WATER	NLA		Use GWP 114
1	12H 2267	Vane.....	1		
2	2A 778	Wire.....	1	(E)18GB/-/101 TO 91200	
3	53K 1433	Screw.....	1		
5	8G 724	Hub-pulley.....	1		
6	88G 446	Seal.....	1		
7	GWP 114	Pump-water(with pressure balance seal).....	1	(E)18GG/-/101 TO(+)	
	HZS 510	Screw-short.....	2	(E)18GH/-/101 TO(+)	
	HBZ 514	Screw-long.....	2	(E)18GJ/-/22647 TO(+)	
7	GWP 117	Pump-water.....	1	(E)18GK/-/101 TO(+)	
	HZS 511	Screw-short.....	2	(E)18V/581/101 TO(+)	
	HBZ 515	Screw-long.....	2	(E)18V/582,583,584Z,585Z/101 TO(+)	
7	GWP 123	Pump-water.....	1	(E)18V/672Z/101 TO L27269	
	HZS 508	Screw-short.....	3	(E)18V/673Z/101 TO L3644	
	HBZ 514	Screw-long.....	1	(E)18V/672Z/L27270 ON	
7	GWP 130	Pump-water.....	1	(E)18V/673Z/L3645 ON	
	HZS 508	Screw-short.....	3	(E)18V/779F/H275 ON	
	HBZ 514	Screw-long.....	1	(E)18V/780F/H2366 ON	
7	GWP 130	Pump-water.....	1	(E)18V/797AE/L	
	HZS 508	Screw-short.....	3	9864 ON.	
	HBZ 514	Screw-long.....	1	(E)18V/801AE/L	
				5959 ON	
				(E)18V/802AE/L	
				1493 ON	
				(E)18V/846H553 ON	
				(E)18V/847H7004 ON.	
	LWN 305	Washer-spring.....	4		

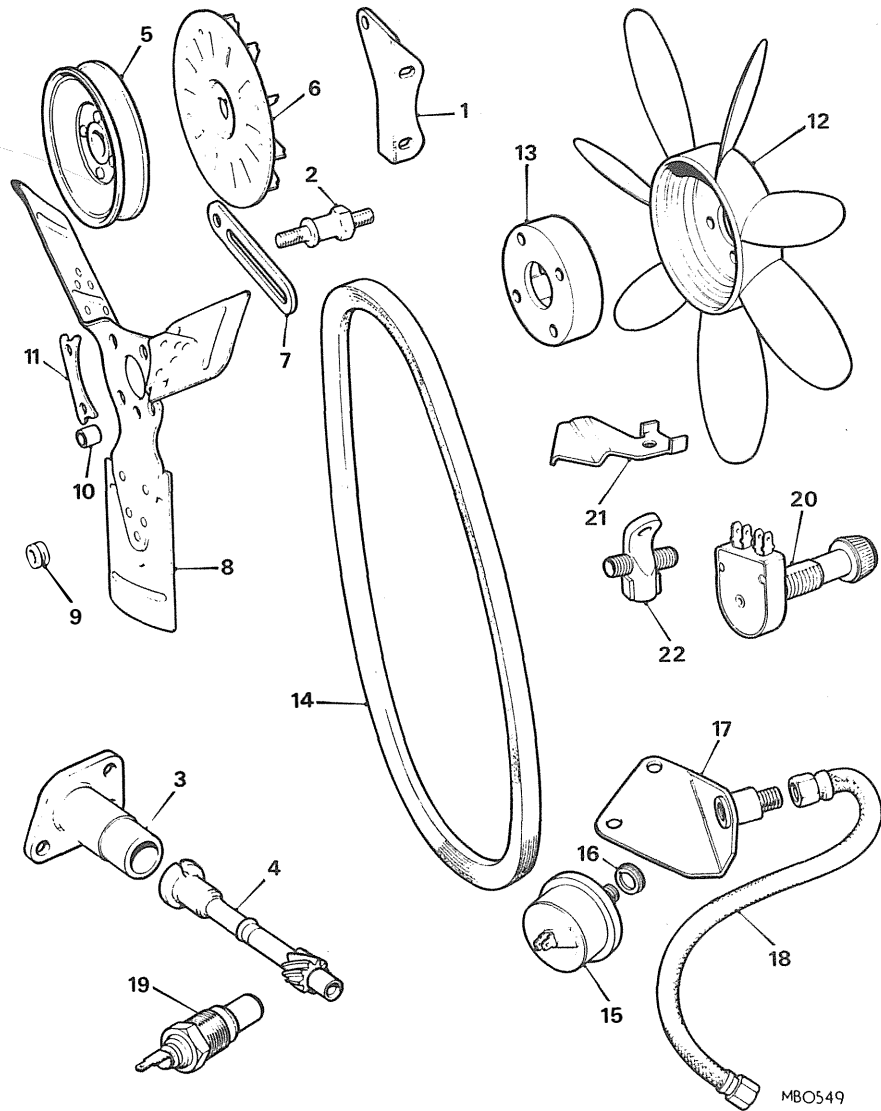
MGB



MGB-TOURER,GT AND V8-UPTO SEPTEMBER 1976

Ill. No.	Part No.	DESCRIPTION	Qty.	Change Point	REMARKS
ENGINE UNIT-1800cc,18GB,18GD,18GF,18GG,18GH,18GJ,18GK AND 18V-continued					
12	88G 430	Gasket-pump to crankcase.....	1		Use prior to 62H 350 (E)18V/779F/H275 ON (E)18V/780F/H2366 ON (E)18V/672Z/L27270 ON (E)18V/673Z/L3645 ON (E)18GF/-/101 TO 13650(E)18GH/-/101 TO(+)(E)18GJ/-/22647 TO(+) (E)18GK/-/101 TO(+) (E)18V/584Z/101 TO(+) (E)18V/585Z/101 TO(+) (E)18V/672Z/101 ON (E)18V/673Z/101 ON (E)18V/672Z/L27270 ON (E)18V/673Z/L3645 ON (E)18GB/-/101 TO 91200 (E)18GD/-/101 TO 7000 (E)18GF/-/101 TO 13650
	62H 350	Gasket-pump to crankcase.....	1		
	LWN 305	Washer-spring	4		
13	12H 1581	Piece-distance	2		
	HZS 508	Screw	1		
	HBZ 514	Screw	1		
	HBZ 516	Screw	1		
	HZS 514	Screw	1		
	CAM 1177	Spacer-long	1		
	21B 1541	Spacer-short.....	1		
14	48G 545	Kit-water pump repair.....	1		

USA-Canada.

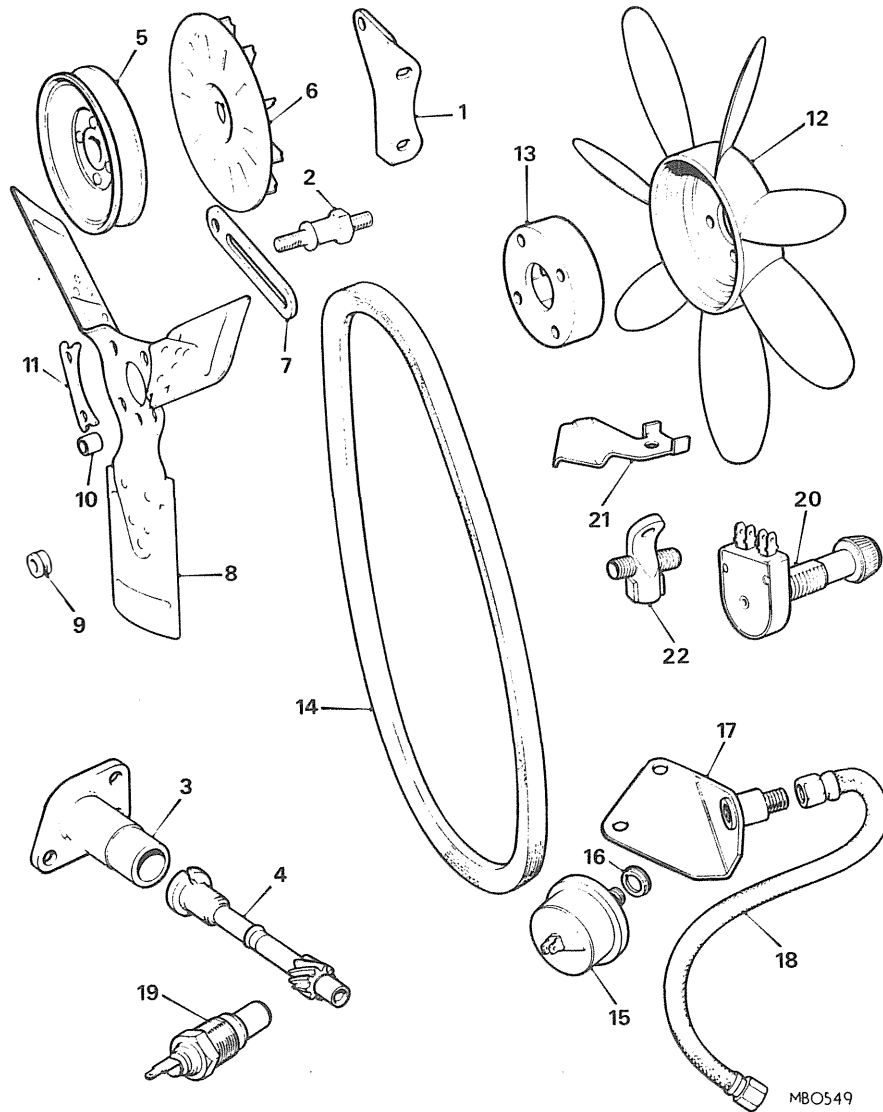


MBO549

Ill. No.	Part No.	DESCRIPTION	Qty.	Change Point	REMARKS
ENGINE UNIT-1800cc/18GB,18GD,18GF,18GG,18GH,18GJ,18GK AND 18V-					
CONTINUED					
1	12A 526	Bracket-rear-dynamo	1	(E)18GB/-/101 TO 91200] Not fitted to STRIPPED ENGINE units
	LWN 305	Washer-spring	2		
	HZS 506	Screw	2		
2	2A 128	Pillar-dynamo adjusting link.....	1		
	LWN 306	Washer-spring	1		
	FNZ 506	Nut	1		
3	1G 2285	Housing-distributor.....	1	(E)18GB/-/101 TO 91200	
4	12H 1169	Spindle-distributor.....	1		
5	12H 1178	Pulley-dynamo	1		
6	17D 11	Fan-dynamo.....	1		
7	2A 497	Link-dynamo adjusting.....	1		
	PWN 106	Washer-plain.....	1		
	LWZ 306	Washer-spring	1		
	LNZ 206	Nut	1		
	ZCS 505	Screw	1		
	LWN 305	Washer-spring	1		
	HZS 509	Bolt	1		
	LWN 305	Washer-spring	1		
	LNZ 205	Nut	1		
	HBZ 514	Bolt	1		
	WC 108051	Washer-plain.....	1		
	LWN 305	Washer-spring	1		
	LNZ 205	Nut	1		
7	12G 2627	Link-alternator adjusting.....	1	(E)18V/846/H101 ON (E)18V/847/H101 ON	

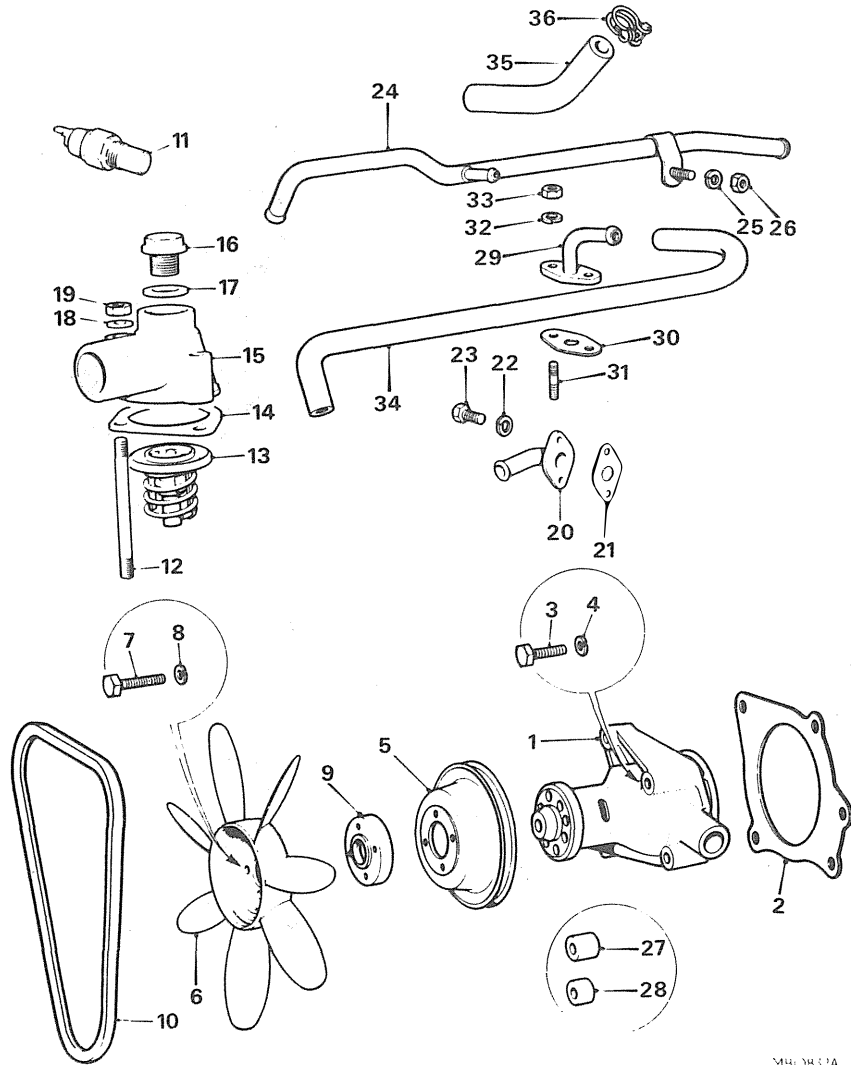
MGB

MGB TOURER AND GT



Ill. No.	Part No.	DESCRIPTION	Qty.	Change Point	REMARKS	
ENGINE UNIT-1800cc,18GB,18GD,18GF,18GG,18GH,18GJ,18GK AND 18V-continued						
8	12H 1058	Fan(3 blade).....	1	(E)18GB/-/101 TO	Germany and Switzerland 1975 YEAR ON	
9	12H 1060	Grommet.....	4	91200		
10	12H 1062 PWZ 204	Piece-distance Washer-plain.....	4 4	(E)18GD/U/101 TO 7000		
11	12H 1388	Washer-lock.....	4	(E)18GG/-/101 TO(+) (E)18V/581/101 TO(+) (E)18V/582/101 TO(+) (E)18V/583/101 TO(+) (E)18V/779F/101 ON (E)18V/780F/101 ON		
HZS 408		Bolt-fan to pulley.....	4	(E)18GB/-/101 TO 91200 (E)18GD/-/101 TO 7000		
HZS 415		Bolt-fan to pulley.....	4	(E)18GG/-/101 TO(+) (E)18V/581.582.583/ -101 TO(C)G-HN5- 328099.G-HD5- 328799		
HZS 415		Bolt-fan to pulley.....	4	(C)G-HN5-328100 TO 345390		Manual and Overdrive Automatic
HZS 405		Bolt-fan to pulley.....	4	(C)G-HD5-328800 TO 345390		
12	BHH 1604 LWZ 304	Fan(7 blade)..... Washer-spring.....	1 4	(E)18GD/Rc/101 to 240 (E)18GF/-/101 TO 13650 (E)18GH/-/101 TO(+) (E)18GJ/-/22647 TO(+)		
12H 4230 LWZ 304		Fan (7 blade)..... Washer-spring.....	1 4	(E)18GK/-/101 TO(+) (E)18V/584Z/101 TO(+) (E)18V/585Z/101 TO(+) (E)18V/672Z/L101 TO (C)G-HN5-345390 and G-HD5-345803 (E)18V/673Z/L101 ON (E)18GD/Rc/101 TO 240 (E)18GF/-/101 TO 13650 (E)18GH/-/101 TO(+) (E)18GJ/-/22647 TO(+)		
HZS 408		Bolt-fan to pulley.....	4	(E)18GK/-/101 TO(+) (E)18V/584Z/101 TO(+) (E)18V/585Z/101 TO(+) (E)18V/672Z/L101 TO (C)G-HN5-345390 and G-HD5-345803 (E)18V/673Z/L101 ON (E)18GD/Rc/101 TO 240 (E)18GF/-/101 TO 13650 (E)18GH/-/101 TO(+) (E)18GJ/-/22647 TO(+)		USA and Canada
HZS 416		Bolt-fan to pulley.....	4	(E)18GK/-/101 TO(+) (E)18V/584Z/101 TO(+) (E)18V/585Z/101 TO(+) (E)18V/672Z.673Z/ 101 TO(C)306165 (C)G-HN5.G-HD5- 306166 ON		
HZS 407		Bolt-fan to pulley.....	4	(E)18V/-/101 ON		
13	12H 3910	Spacer-fan.....	1	(E)18V/-/101 ON		

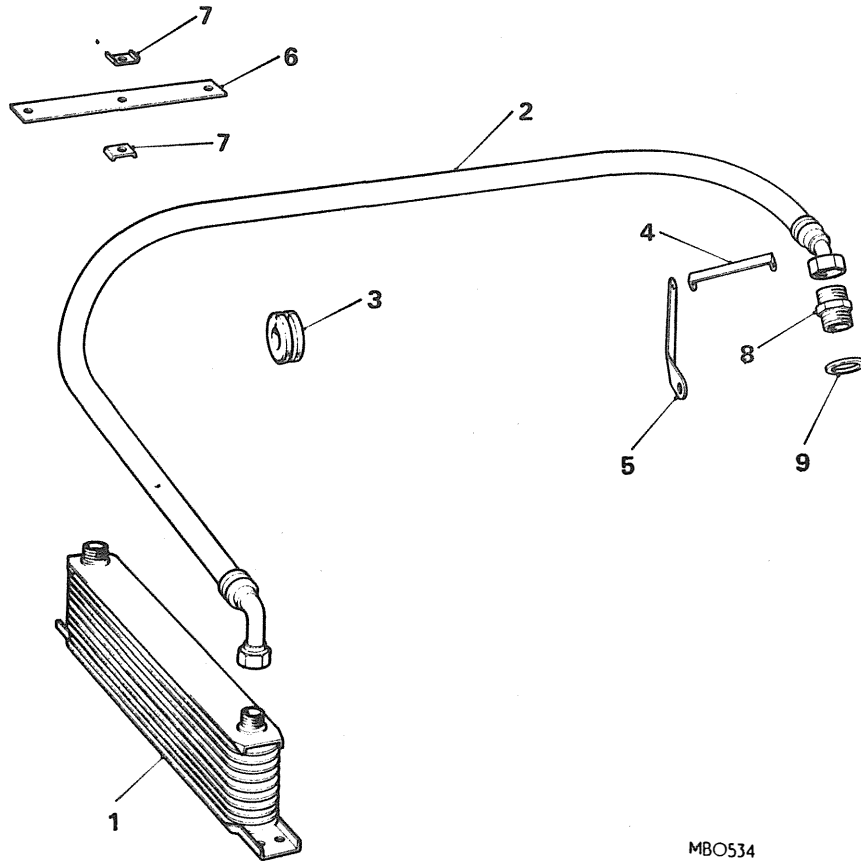
(+) Change point not available.



Ill. No.	Part No.	DESCRIPTION	Qty.	Change Point	REMARKS
----------	----------	-------------	------	--------------	---------

**ENGINE UNIT-1800CC-18GB,18GD,18GF,18GG,18GH,18GJ,18GK AND 18V-
CONTINUED
WATER PUMP, THERMOSTAT-
USA AND CANADA 1975 ON**

1	GWP 123	Pump-water	1		
2	62H 350	Gasket-water pump.....	1		
3	HZS 508	Screw-pump to crankcase	1		
3	HBZ 514	Screw-pump to crankcase	1		
3	HBZ 512	Screw-pump to crankcase	1		
3	HBZ 516	Screw-pump to crankcase	1		
27	CAM 1177	Spacer-long	1		
28	21B 1541	Spacer-short.....	1		
5	CAM 1284	Pulley-fan and water pump	1		
6	12H 4744	Fan	1		
9	CAM 1599	Ring-fan-clamping	1		
7	SH 604061	Screw-fan and pulley.....	4		
8	WL 600041	Washer-spring-screw	4		
10	GFB 205	Belt-fan	1		
11	88G 580	Transmitter-thermal.....	1		
12	CHS 25 15	Stud-water outlet elbow	3		
THERMOSTAT					
13	GTS 102	74C(165F).....	1		Hot climates
13	GTS 104	82C(160F).....	1		Standard
13	GTS 106	88C(190F).....	1		Cold climates
14	GTG 101	Gasket-water outlet elbow	1		
15	CAM 1545	Elbow-water outlet	1		
16	ARA 2634	Plug-elbow	1		
17	TRS 1418	Ring-sealing	1		
18	WA 108051	Washer-plain.....	3		
19	51K 1177	Nut	1		
19	NH 605041	Nut	2		
20	12H 3545	Elbow-heater hose.....	1		
21	12H 3868	Gasket-elbow.....	1		
22	LWN 304	Washer-spring	2		
23	HZS 404	Screw	2		
29	LAM 1022	Connection-water-automatic choke.....	1		
30	CAM 1167	Gasket.....	1		
31	TD 604061	Stud	2		
32	WL 600041	Washer-spring	2		
33	NH 604041	Nut	2		
34	LAM 1005	Hose-connection to carburetter	1		
35	CAM 1340	Hose-carburetter to heater rail	1		
36	GHC 406	Clip-hose.....	4		
24	BHH 1685	Pipe-water-heater hose to radiator bottom hose.....	1		
25	NH 604041	Nut	1		
26	WL 600041	Washer-spring	1		



Ill. No.	Part No.	DESCRIPTION	Qty.	Change Point	REMARKS
OIL COOLER-ALL VERSIONS EXCEPT V8					
1	ARH 186	Cooler-oil	1	(C)G-HN3-101 TO 47111	
1	ARQ 9809	Cooler-oil	1	Use prior to ARH 185	
1	ARH 185	Cooler-oil	1	(C)G-HN5-360301 ON (C)G-HD5-361001 ON	
	HZS 405	Screw	4		
	PWZ 104	Washer-plain	4		
	LWZ 204	Washer-spring	4		
2	AHH 8192	Pipe-flexible	2	(C)G-HN3,G-HD3-101 TO 138400	
2	AHH 8536	Pipe-flexible-cooler to filter	1	(C)G-HN4-138401 TO 187210	
2	AHH 8537	Pipe-flexible-cooler to block	1	(C)G-HN5-187211 TO 338790	
				(C)G-HD4-138401 TO 187840	
				(C)G-HD5-187841 TO 338567	
2	BHH 1569	Pipe-flexible-cooler to filter	1	(C)G-HN5-338791 TO 343302	
2	AHH 8537	Pipe-flexible-cooler to block	1	(C)G-HD5-338568 TO 343760	
2	AHH 8536	Pipe-flexible-cooler to filter	1	(C)G-HN5-343303 TO 360300	
2	AHH 8537	Pipe-flexible-cooler to block	1	(C)G-HD5-343761 TO 361000	
2	BHH 1609	Pipe-flexible-cooler to filter	1	(C)G-HN5-360301 ON	
2	BHH 1610	Pipe-flexible-cooler to block	1	(C)G-HD5-361001 ON (Except USA and Canada)	
				(C)G-HN5-360301 TO 368081	
				(C)G-HD5-361001 TO 367803	
				(USA and Canada)	
				(C)G-HN5-368082 ON	
				(USA and Canada)	
	BHH 1809	Pipe-filter to block	1		
3	AHA 8401	Grommet	2		
4	AHH 8300	Clip-pipe	NLA		Use with pipe AHH 8192
5	AHH 6864	Strap support	1	(C)G-HN3,G-HD3-101 TO 138400	
	PMZ 308	Screw	1		
	LWZ 203	Washer-spring	1		
	FNZ 103	Nut	1		
6	AHH 6865	Clip-strap(rubber)	NLA		
7	AHH 6866	Plate-clamp-strap clip	3/2		Quantity reduced AT(C)G-HN4, G-HD4-138400.
	PMZ 314	Screw	NLA		
	LWZ 203	Washer-spring	3/2		
	FNZ 103	Nut	3/2		
8	AHH 6701	Union-adaptor	1		
9	6K 431	Washer-adaptor union	1		

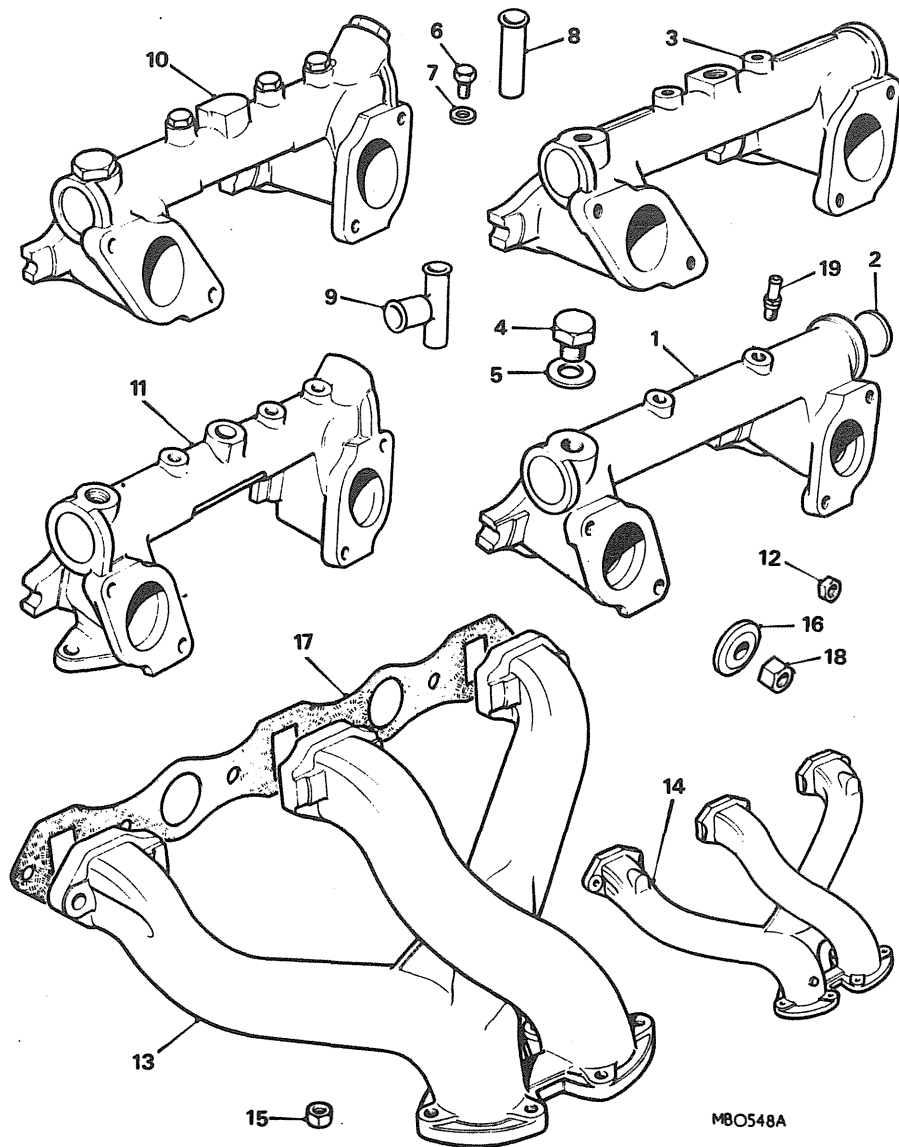
MGB

MGB TOURER AND GT

Ill. No.	Part No.	DESCRIPTION	Qty.	Change Point	REMARKS
ENGINE SERVICE KITS-ALL VERSIONS EXCEPT V8					
	GEG 159	Gasket set-decarbonizing	NLA] Use GEG 1163
	GEG 189	Gasket set-decarbonizing	NLA		
	GEG 1163	Gasket set-decarbonizing	1		
	GEG 1211	Gasket set-decarbonizing	1		
	GEG 237	Gasket set-supplementary	1	Use prior to GEG 236	USA and Canada- 1975 ON
	GEG 236	Gasket set-supplementary	1	(E)18GB/-/101 TO 912000 (E)18GD/-/101 TO 7000 (E)18GF/-/101 TO 13650 (E)18GG/-/101 TO(+) (E)18GH/-/101 TO(+) (E)18GJ/-/22647 TO(+) (E)18GK/-/101 TO(+) (E)18V/581.582. 583.584Z.585Z/101 TO(+) (E)18V/672Z/L101 TO L27269 (E)18V/6732/L101 TO L3644 (E)18V/779F/H101 TO 274 (E)18V/780F/H101 TO H2365	
	GEG 273	Gasket set-supplementary	1	(E)18V/672Z/L27270 ON (E)18V/673Z/L3645 ON (E)18V/779F/H275 ON (E)18V/780F/H2366 ON	

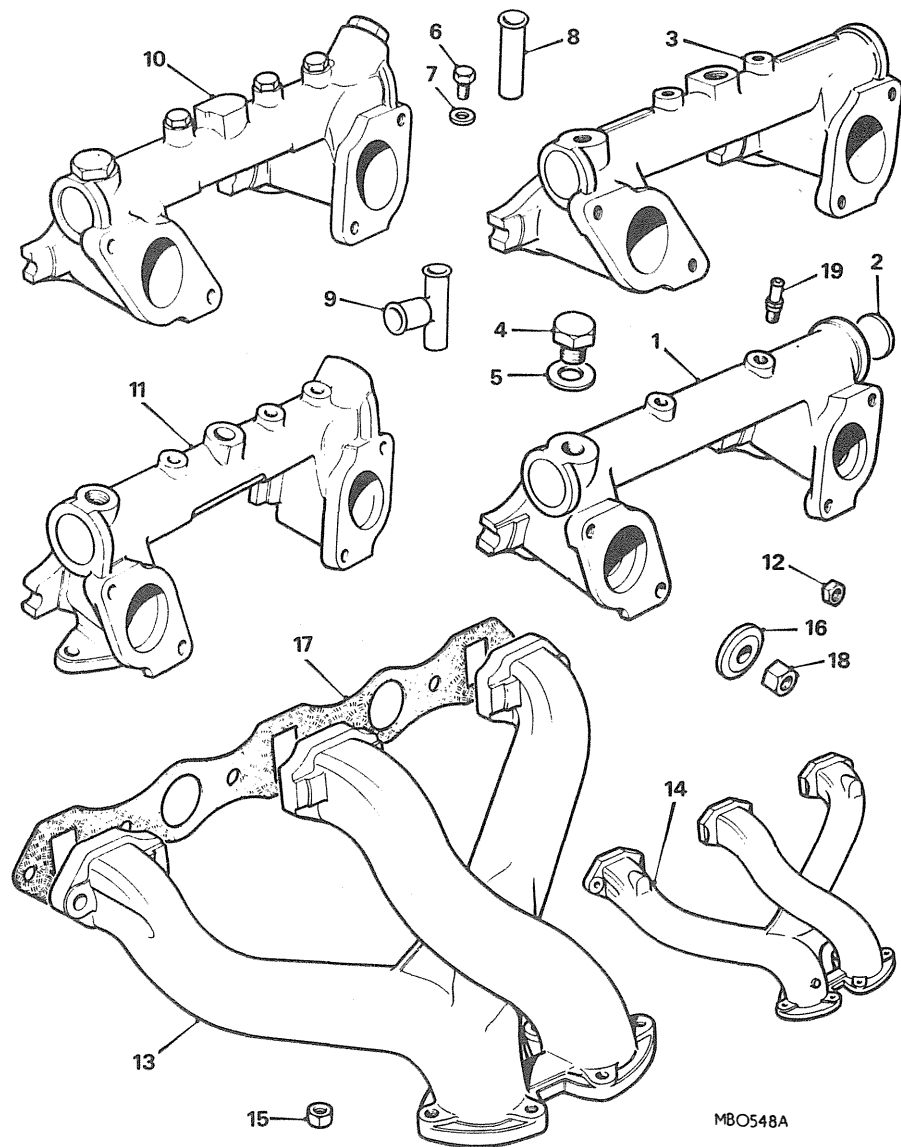
ILLUSTRATION NOT USED

(+) Change point not available.

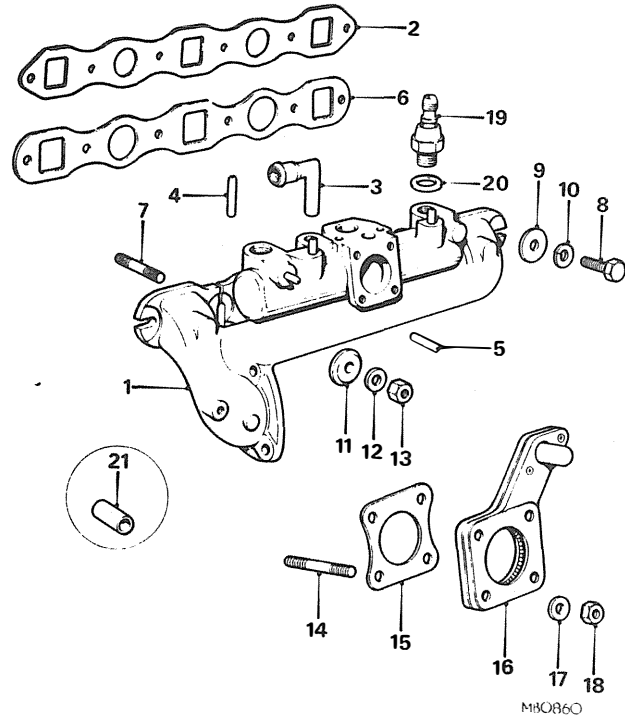


Ill. No.	Part No.	DESCRIPTION	Qty.	Change Point	REMARKS
INLET MANIFOLD-ALL VERSIONS EXCEPT V8					
1	12H 911	MANIFOLD ASSEMBLY-INLET	1	(E)18G/-/101 TO 31121] Use with inlet MANIFOLDS 12H 911 AND 12H 1397
2	2K 8159	Plug-welch	1	(E)18GA/-/101 TO 17500	
3	12H 1397	MANIFOLD ASSEMBLY-INLET	1	(E)18GB/-/101 TO 91200] Quantity reduced for automatic
2	2K 8159	Plug-welch	1	(E)18GD/We/101 TO 2238	
				(E)18GD/RWe/101 TO 2623	
	HZS 505	Screw	2] Use 8G 767
	WL 600051	Washer-spring	2		
	PWZ 205	Washer-plain	2		
4	AHH 8414	Plug-manifold blanking	1] Quantity reduced for automatic
5	51K 3811	Washer-plug	1		
	12H 2575	MANIFOLD ASSEMBLY-INLET	NLA	(E)18GD/We/2239 TO 7000] Quantity reduced for automatic
2	2K 8159	Plug-welch	2	(E)18GD/RWE/2624 TO 7000	
4	AHH 8414	Plug-blanking	2	(E)18GD/Rc/101 TO 240	
5	51K 3811	Washer	2		
6	12H 2572	Plug	2/1] Use 8G 767
7	AEC 435	Washer	2/1		
8	12H 2729	Adaptor	NLA		
	12H 2571	MANIFOLD ASSEMBLY-INLET	NLA] Not used for automatic
2	2K 8159	Plug-welch	2	(E)18GF/-/101 TO 13650	
6	12H 2572	Plug-blanking	1		
7	AEC 435	Washer	1		
9	12H 2457	Adaptor	1		
10	8G 767	MANIFOLD ASSEMBLY-INLET	1	(E)18GG/-/101 TO(+) (E)18GH/-/101 TO(+) (E)18GJ/-/101 TO(+) (E)18GK/-/101 TO(+) (E)18V/-/101 ON	
11	8G 774	MANIFOLD ASSEMBLY-INLET	1] Quantity reduced for automatic
2	2K 8159	Plug-welch	2	(E)18GG/-/101 TO(+) (E)18GJ/-/101 TO(+) (E)18GK/-/101 TO(+) (E)18V/-/101 ON	
4	AHH 8414	Plug	2] Quantity reduced for automatic
5	51K 3811	Washer	2		
6	12H 2572	Plug	3/2] Quantity reduced for automatic
7	AEC 435	Washer	3/2		
4	12H 1734	Plug	1		
6	12H 2572	Plug	2/1	(E)18GH/-/101 TO(+) (E)18GJ/-/101 TO(+) (E)18GK/-/101 TO(+) (E)18V/-/101 ON] Quantity reduced for automatic
7	AEC 435	Washer	2/1		
	CHS 2522	Stud	4		
12	12A 1	Nut-carburettor to manifold	NLA		
	WL 600051	Washer-spring	4		
	PWZ 105	Washer-plain	4		

(+) Change point not available.



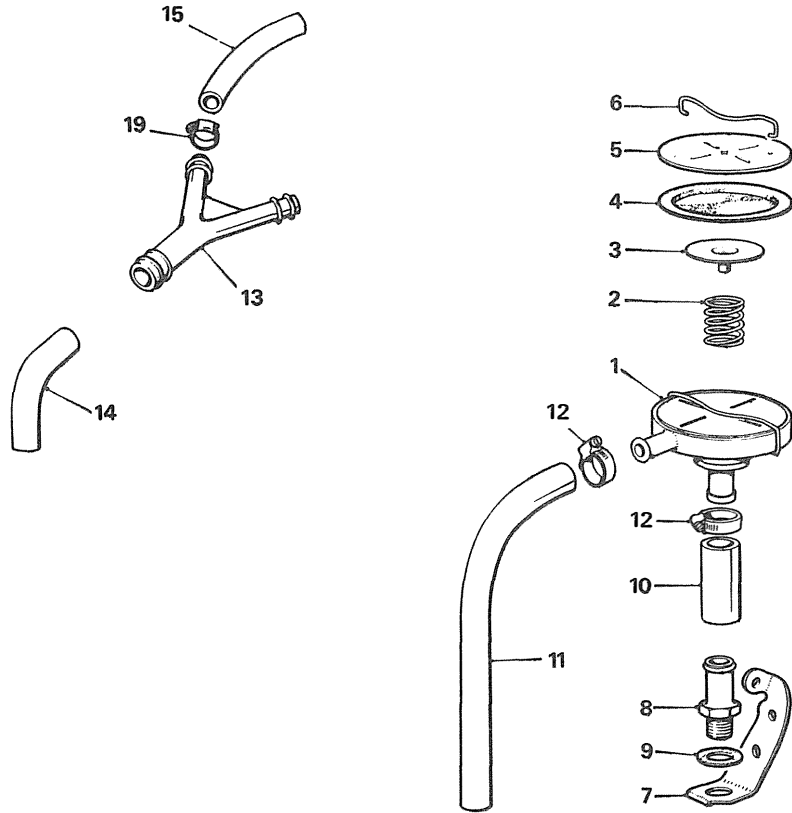
Ill. No.	Part No.	DESCRIPTION	Qty.	Change Point	REMARKS
INLET AND EXHAUST MANIFOLD-ALL VERSIONS EXCEPT V8 AND USA AND CANADA-1975 ON					
13	12H 709	Manifold-exhaust.....	1		Use prior to 12H 3911 (E)18V/-/101 ON
14	12H 3911	Manifold-exhaust.....	1		
	CHS 2513	Stud-outlet flange.....	6		
	LWZ 305	Washer-spring.....	6		
15	AHH 8382	Nut-stud(brass).....	6		
16	1G 2418	Yoke-manifold.....	4		
17	GEG 602	Gasket-manifold to head.....	1		
	WL 600051	Washer-spring.....	6		
18	AHH 8382	Nut-stud.....	6		
19	AHH 6962	Restrictor-overdrive vacuum switch.....	1		



Ill. No.	Part No.	DESCRIPTION	Qty.	Change Point	REMARKS
----------	----------	-------------	------	--------------	---------

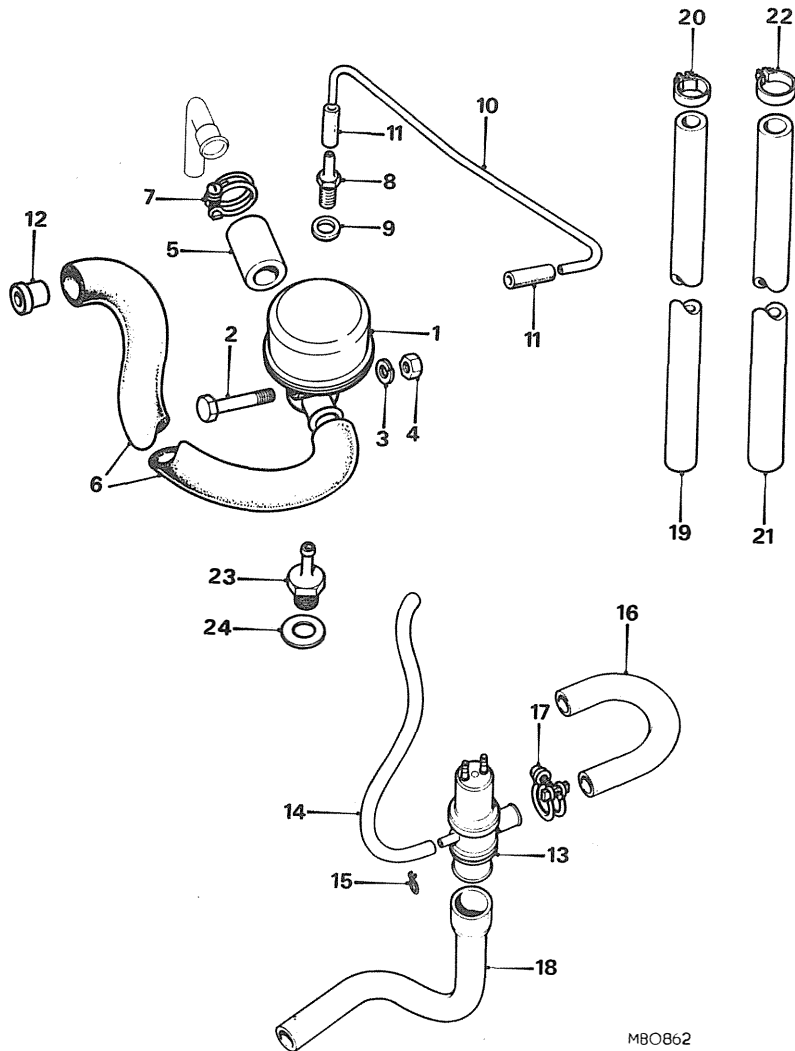
INLET AND EXHAUST MANIFOLD-USA AND CANADA-1975 ON

1	CAM 1313	Manifold-inlet and exhaust.....	1		
		ADAPTOR			
3	LAM 23	Gulp valve.....	1		
4	CAM 1232	Anti run-on valve.....	1		
5	CAM 1233	Signal pipe.....	2		
6	CAM 1569	Gasket-manifold.....	1		
7	CHS 2513	Stud-manifold.....	4		
8	SH 605096	Screw-manifold.....	2		
9	CAM 1568	Washer.....	2		
10	WL 600051	Washer-spring.....	2		
11	1G 2418	Yoke.....	4		
12	PWN 105	Washer.....	4		
13	BNN 105	Nut.....	4		
14	CHS 2516	Stud-manifold to carburetter.....	4		
15	88G 429	Gasket.....	2		
16	LZX 1084	Heater-induction.....	1		
17	WA 108051	Washer.....	4		
18	FNZ 205	Nut.....	4		
19	TE 505111	Stud-manifold to catalyst.....	3		
20	CAM 1172	Gasket-catalyst.....	1		
21	CAM 1026	Catalyst.....	1		
22	WA 108051	Washer.....	3		
23	BNN 105	Nut.....	3		
24	13H 9216	Valve-non-return servo.....	1		
25	AED 172	Washer-valve.....	1		
3	12H 2958	Adaptor-1975.....	1		
26	AUD 2565	Cap-blanking vacuum pipe-1975.....	1		



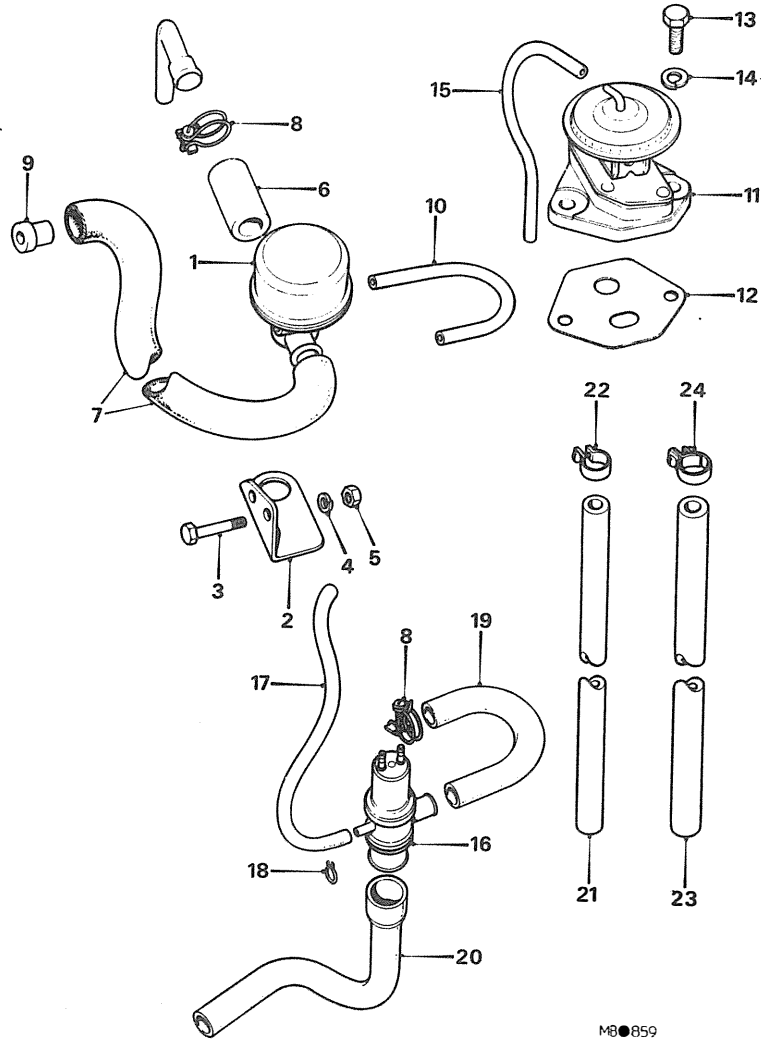
MBOOI8A

Ill. No.	Part No.	DESCRIPTION	Qty.	Change Point	REMARKS
CLOSED CIRCUIT BREATHING-1800cc,18GA,18GB,18GD AND 18GF					
1	13H 5191	VALVE ASSEMBLY-CONTROL.....	1	(E)18GA/-/101	}
2	27H 7756	Spring-top.....	1	TO 17500	
3	37H 3686	Plunger.....	1	(E)18GB/U/101	
4	27H 7758	Diaphragm.....	1	TO 91200	
5	27H 7759	Plate-valve cover.....	1	(E)18GD/-/101	
6	27H 7760	Clip-spring.....	1	TO 7000	
7	12H 1406	Bracket-support-control valve.....	1	(E)18GF/-/101	}
8	12H 1405	Adaptor.....	1	TO 3650	
9	51K 3811	Gasket-adaptor to inlet manifold.....	2	(E)18GA/U/101	
10	12G 610	Hose-breather.....	1	TO 17500	}
11	12G 581	Hose-control valve to oil separator.....	1	(E)18GB/U/101	
				TO 91200	}
				(E)18GD/-/101	
				TO 7000	}
11	12H 2558	Hose-control valve to oil separator.....	1	(E)18GF/-/101	
12	GHC 507	Clip-hose.....	4	TO 13650	}
	HZS 505	Screw.....	1	(E)18GF/-/101	
	LWZ 305	Washer-spring.....	1	TO 13650	
	SH 604061	Screw.....	1		
	FNZ 104	Nut.....	1		
	LWZ 204	Washer-spring.....	1		
CARBURETTER VENTILATION-1800cc 18GG,18GH,18GJ,18GK AND 18V					
13	12G 2134	'Y'piece.....	1	(E)18GG/-/101	}
14	AHH 9288	Hose-oil separator to 'Y'piece.....	1	TO(+)	
15	AHH 9289	Hose-'Y'piece to front carburetter.....	1	(E)18GH/-/101 TO(+)	}
		Hose-'Y'piece to rear carburetter.....	1	(E)18GJ/-/101 TO(+)	
16	HCS 407	Clip-hose-oil separator.....	1	(E)18GK/-/101 TO(+)	}
19	ACH 5854	Clip-hose-carburetters.....	2	(E)18V/-/101 ON	



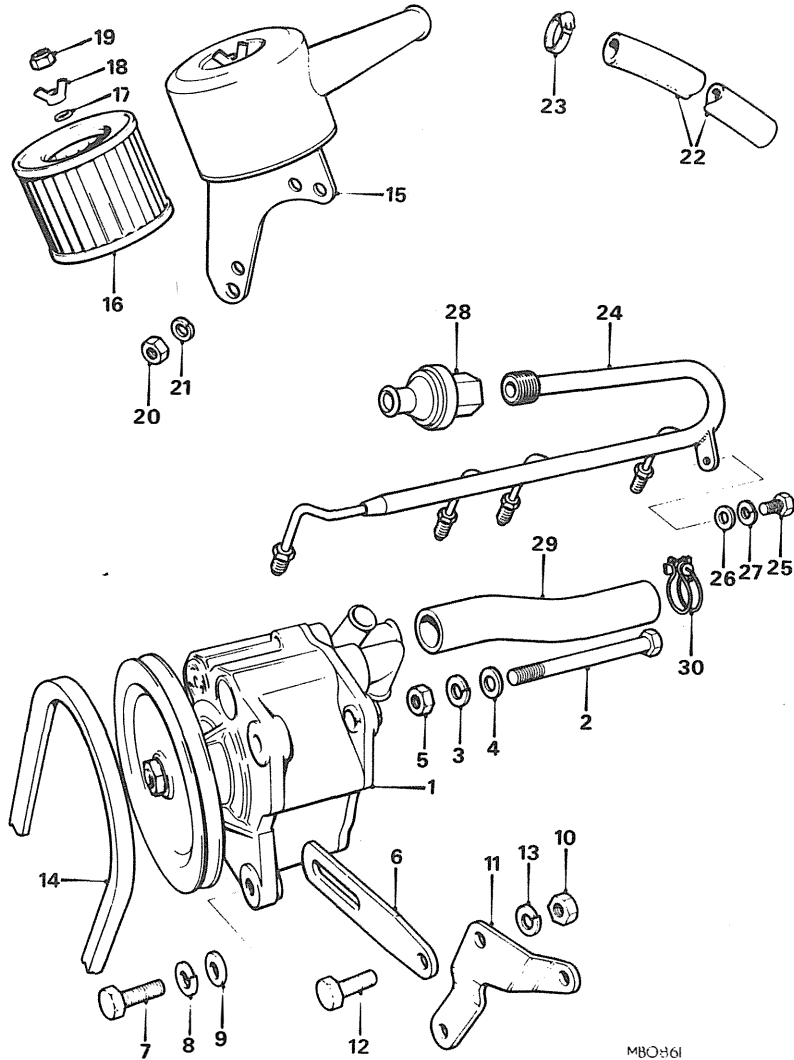
Ill. No.	Part No.	DESCRIPTION	Qty.	Change Point	REMARKS
EXHAUST EMISSION CONTROL-UP TO 1975-NOT V8					
1	13H 6189	Valve-gulp.....	1		
2	BH 604141	Bolt-valve to bracket.....	2		
3	WL 600041	Washer-spring.....	2		
4	NH 604041	Nut.....	2		
5	12H 3103	Hose-manifold to gulp valve.....	1		
6	12G 1648	Hose-gulp valve to air pump.....	1		
7	GHC 709	Clip-hose.....	4		
8	12H 2461	Adaptor-manifold.....	1		
9	12B 63	Washer.....	1		
10	12H 2460	Pipe-control-gulp valve.....	1		
11	12H 2480	Connection-pipe.....	2		
12	12G 1797	Restrictor-air pump to gulp valve hose.....	1		
13	12H 4295	Valve-anti run-on.....	1		
14	37H 6844 M	Hose-valve to manifold.....	A/R		Supplied in multiples of metres
15	13H 7864	Clip-hose.....	2		
16	12H 4300	Hose-valve to carbon cannister.....	1		
17	GHC 709	Clip-hose.....	2		
18	12H 4345	Hose-drain.....	1		
17	GHC 709	Clip-hose.....	1		
19	12H 5842	Hose-carbon cannister to carburetter.....	1		
20	13H 4732	Clip-hose.....	2		
21	21H 5838	Hose-carbon cannister to rocker cover.....	1		
22	AHC 234	Clip-hose.....	NLA		
23	12H 4297	Adaptor-manifold.....	1		
24	12B 63	Washer.....	1		

Supplied in multiples of metres



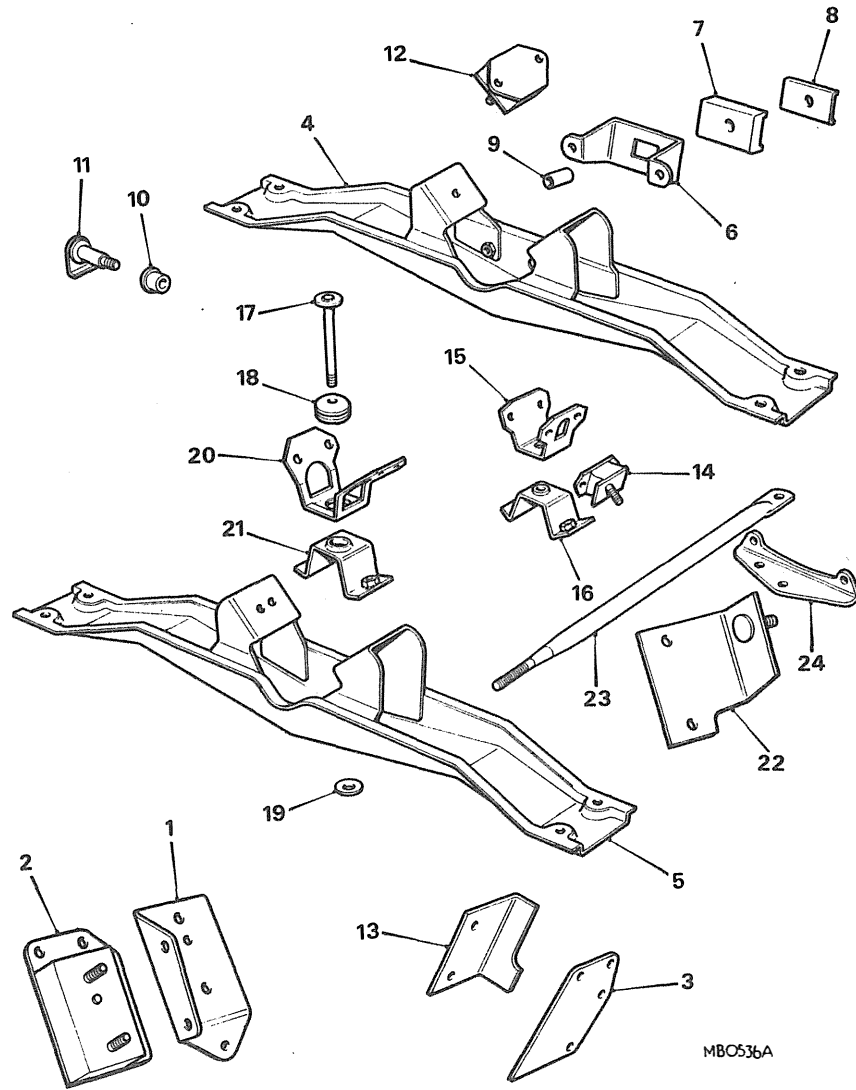
MB●859

Ill. No.	Part No.	DESCRIPTION	Qty.	Change Point	REMARKS
EXHAUST EMISSION CONTROL-1975 ON-NOT V8					
1	13H 6189	Valve-gulp.....	1		
2	CAM 1134	Bracket-valve.....	1		
3	BH 604141	Bolt.....	2		
4	WL 600041	Washer.....	2		
5	NH 604041	Nut.....	2		
6	CAM 1161	Hose-manifold to gulp valve.....	1		
7	LAM 1050	Hose-gulp valve to air pump.....	1		
8	GHC 709	Clip-hose.....	4		
9	CAM 1716	Restrictor-air pump hose.....	1		
10	CAM 1164	Hose-signal-gulp valve.....	1		
11	CAM 1157	Valve-EGR.....	1		
12	CAM 1158	Gasket.....	1		
13	SH 505061	Screw.....	2		
14	WL 600051	Washer.....	2		
15	CAM 1336	Hose-signal-EGR valve.....	1		
16	12H 4295	Valve-anti run-on.....	1		
17	BHH 1053	Hose-valve to adaptor.....	1		
18	13H 7864	Clip-hose.....	2		
19	BHH 1640	Hose-valve to carbon cannister.....	1		
8	GHC 709	Clip-hose.....	2		
20	BHH 1851	Hose-drain.....	1		
8	GHC 709	Clip-hose.....	1		
21	BHH 1789	Hose-carbon cannister to carburetter.....	1		
22	13H 4732	Clip-hose.....	1		
23	BHH 103	Hose-carbon cannister to rocker cover.....	1		
24	AHC 234	Clip-hose.....	NLA		

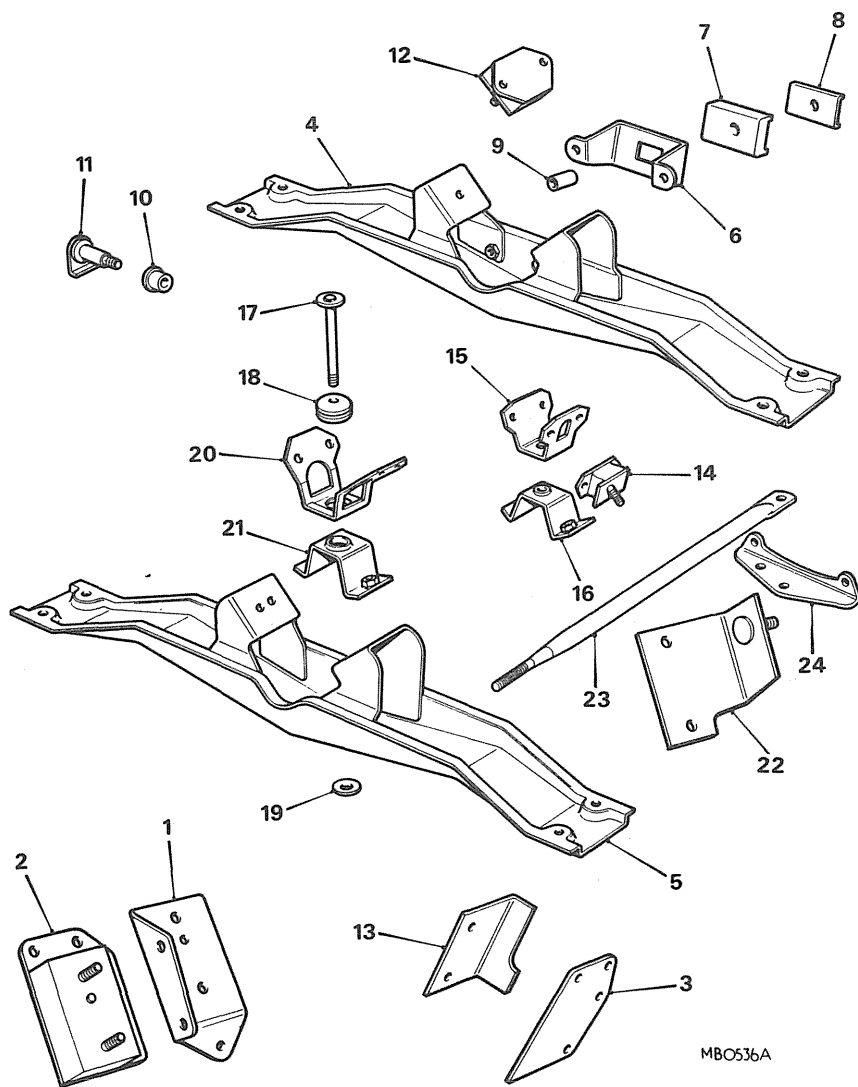


Ill. No.	Part No.	DESCRIPTION	Qty.	Change Point	REMARKS
EXHAUST EMISSION CONTROL-ALL VERSIONS EXCEPT V8					
1	13H 4322	Pump-air (with pulley).....	NLA		
2	HBZ 528	Bolt-air pump.....	1		
3	LWZ 305	Washer-spring-bolt.....	1		
4	PWZ 105	Washer-plain-bolt.....	1		
5	FNZ 105	Nut-bolt.....	1		
6	12H 2450	Link-air pump adjusting.....	1		Use prior to CAM 1389
6	CAM 1389	Link-air pump adjusting.....	1		See(1)below
7	ZCS 507	Screw-link to air pump.....	1		
8	LWZ 305	Washer-spring-screw.....	1		
9	PWZ 105	Washer-plain-screw.....	1		
11	12H 2448	Bracket-adjusting link.....	1		Use prior to CAM 1190
11	CAM 1190	Bracket-adjusting link.....	1		See(1)below
12	HZS 506	Screw-link to bracket.....	1		
13	LWZ 305	Washer-spring-screw.....	1		
10	FNZ 105	Nut-screw.....	1		
14	13H 4367	Belt-air pump drive.....	1		Use prior to GFB 193
14	GFB 185	Belt-air pump drive.....	1		See(1)below
15	12H 2454	Cleaner assembly-air.....	1		Alternative to 12G 1696
16	37H 2498	Element-air cleaner.....	1		
17	37H 2533	Washer.....	1		
18	37H 3460	Wing-nut.....	1		
15	12G 1696	Cleaner assembly-air.....	1		Alternative to 12H 2454
16	37H 2498	Element-air cleaner.....	1		
17	37H 2499	Washer.....	1		
19	37H 3466	Nut.....	1		
20	MNZ 206	Nut-air cleaner to pump.....	2] Use when die CAST BRACKET is fitted
21	LWN 204	Washer-nut.....	2		
22	12H 2479	Hose-air cleaner to pump.....	1		
23	HCS 116	Clip-hose.....	2		
24	12H 3962	Manifold-air.....	1		
25	HZS 505	Screw-manifold.....	1		
26	PWZ 105	Washer-plain.....	1		
27	LWZ 305	Washer-spring.....	1		
28	13H 4358	Valve-check.....	1		
29	12H 4270	Connection-manifold to pump.....	1		
30	GHC 709	Clip-connection.....	2		

CHANGE POINT:
 (1),(E)18V/797AE,(E)18V/798AE,(E)18V/801AE, 18V/802AE/101 ON



Ill. No.	Part No.	DESCRIPTION	Qty.	Change Point	REMARKS
ENGINE MOUNTINGS-ALL VERSIONS EXCEPT V8					
1	AHH 5065	Bracket-mounting-front-RH.....	1] Use prior to BHH 1619/20 (C)G-HN5-360301 TO 410000. (C)G-HD5-361001 TO 410000.
	AHH 5066	Bracket-mounting-front-LH.....	1		
1	BHH 1619	Bracket-mounting-front-RH.....	1		
	BHH 1620	Bracket-mounting-front-LH.....	1		
	HZS 508	Screw.....	2		
	LNZ 105	Nut.....	2		
	CMZ 516	Screw.....	NLA		
	LNZ 105	Nut.....	2		
	WL 600051	Washer-spring.....	4		
	HZS 606	Screw.....	2		
	HZS 607	Screw.....	2		
	LWZ 206	Washer-spring.....	2		
		Mounting-engine-rubber			
2	AHH 5027	Front-RH.....	1] Use prior to BHH 1351/2 (C)G-HN5-334715 TO 360300 (C)G-HD5-328975 TO 361000 (C)G-HN5-360301 TO 410000. (C)G-HD5-361001 TO 410000.
	AHH 7257	Front-LH.....	1		
	BHH 1351	Front-RH.....	1		
	BHH 1352	Front-LH.....	1		
2	BHH 1621	Front-RH and LH.....	2		
3	AHH 6992	Plate-packing-LH rubber.....	1		
	WL 600051	Washer-spring.....	4		
	FNZ 105	Nut.....	4		
	HZS 506	Screw.....	8		
	FNZ 105	Nut.....	8		
	WL 600051	Washer-spring.....	8		
4	AHH 6134	Crossmember-rear mounting.....	1		
5	AHH 8430	Crossmember-rear mounting.....	1		Use prior to AHH 8430 (C)G-HN4,G-HD4 138401 TO 187210 (Tourer)and 187840 (GT) (C)G-HN5-187211 TO 360300(Except USA) 341294(USA) (C)G-HD5-187841 TO 361000(Except USA) 341729(USA) (C)G-HN5-360301 TO 410000,341295 TO 410000 (USA). (C)G-HD5-361001 TO 410000,341730 TO 367803 (USA).
	BHH 1543	Crossmember-rear mounting.....	1		
	HZS 607	Screw.....	4		
	LWZ 206	Washer-spring.....	4		

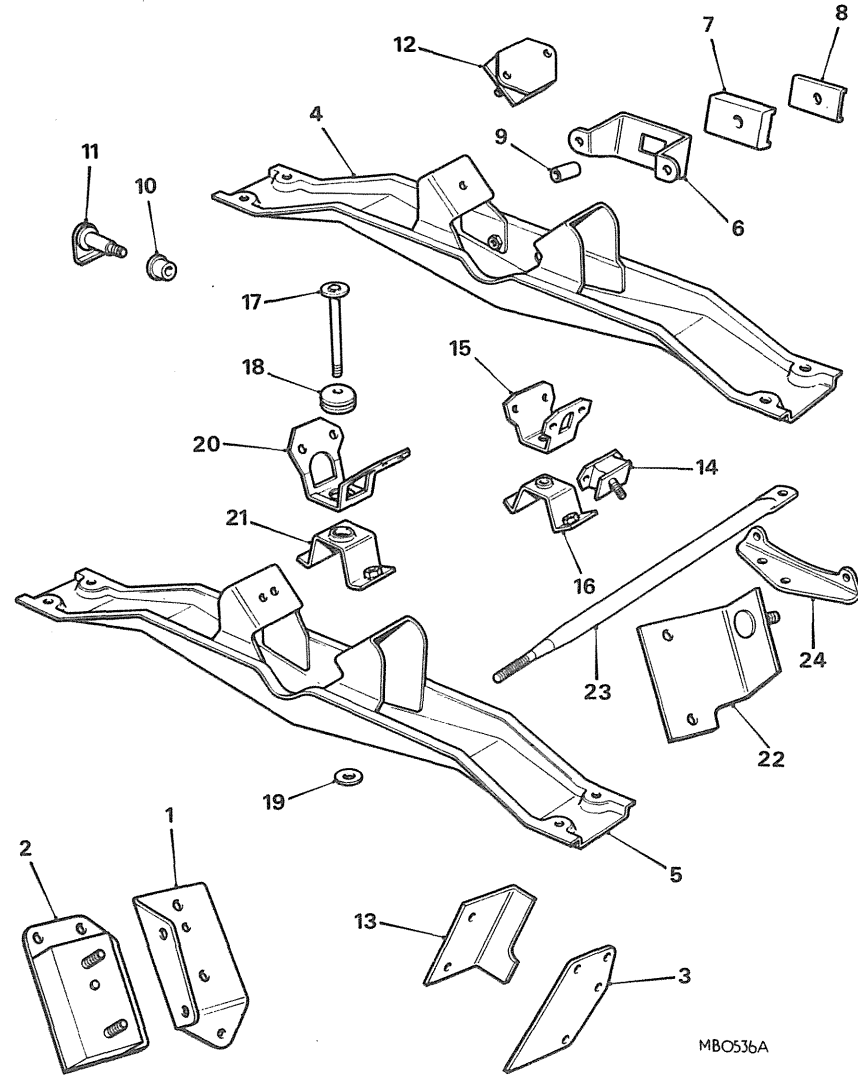


MBO536A

Ill. No.	Part No.	DESCRIPTION	Qty.	Change Point	REMARKS
----------	----------	-------------	------	--------------	---------

ENGINE MOUNTINGS-ALL VERSIONS EXCEPT V8-continued

6	AHH 6298	Bracket-engine stay rod	NLA		
	HZS 405	Screw	2		
	LWZ 204	Washer-spring	2		
7	1G 8781	Buffer-stay rod	2		
8	1G 8782	Plate-buffer	2		
9	1G 8775	Tube-distance stay rod	1		
	LWZ 306	Washer-spring	2		(C)G-HN3-101 TO 138400
	FNZ 106	Nut	2		
10	1B 8347	Bush-shouldered-gearbox rear extension	2		
11	1G 9384	Pin-stay rod	1		
	LWZ 306	Washer-spring	1		
	FNZ 106	Nut	1		
12	11B 5074	Mounting-engine-rear	2		
13	AHH 7890	Bracket-control-engine mounting	2		
14	1G 9736	Mounting-engine-rear	2		
15	AHH 7852	Bracket-rear engine mounting-upper	NLA		
16	AHH 7853	Bracket-rear engine mounting-lower	NLA		
	HZS 506	Screw	2		(C)G-HD3-71933 TO 138400
	LWZ 205	Washer-spring	2		
17	AHH 7855	Pin-rear engine mounting	1		
18	AHH 7854	Bush-pin	2		
19	AHH 8340	Washer-plain	NLA		
	WL 600051	Washer-spring	2		
	FNZ 105	Nut	2		
20	AHH 8431	Bracket-top-vertical engine tie	1		(C)G-HN4-138401 TO 187210
21	AHH 8432	Bracket-bottom-vertical engine tie	1		(C)G-HN5-187211 TO 410000.
	HZS 506	Screw	2		(C)G-HD4-138401 TO 187840
	WL 600051	Washer-spring	2		(C)G-HD5-187841 TO 410000.
12	11B 5074	Mounting-engine-rear	2		



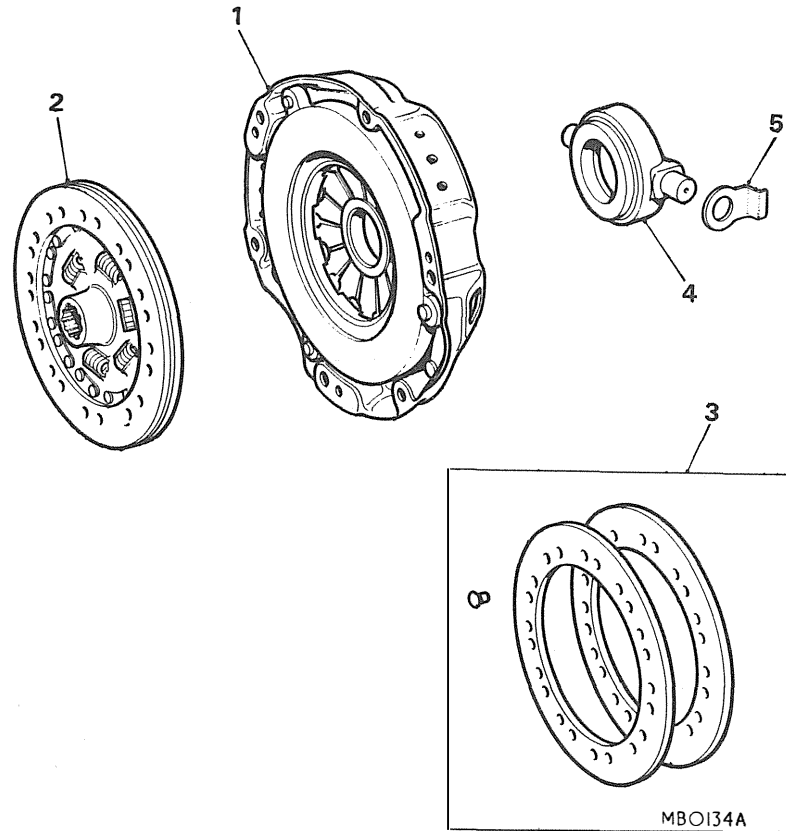
Ill. No.	Part No.	DESCRIPTION	Qty.	Change Point	REMARKS
ENGINE MOUNTINGS-ALL VERSIONS EXCEPT V8-continued					
13	AHH 7890	Bracket-control-RH and LH	2/1		Quantity reduced at(C)G-HN5, G-HD5-258000 (Except N.America)
13	AHH 7890	Bracket control-RH.....	1] (C)G-HN5 G-HD5 258001 TO 360300 (Tourer)and 361000(GT)	
22	BHH 640	Bracket-control-LH.....	1		(C)G-HN5-360301 TO 410000.
22	BHH 1490	Bracket-control-RH and LH	2] (C)G-HD5-361001 TO 410000.
13	AHH 7890	Bracket-control.....	2		
22	BHH 1490	Bracket-control.....	2] (C)G-HN5-339095 TO 410000.
17	AHH 7855	Pin-rear engine mounting.....	1] (C)G-HN4-138401 TO 187210
18	AHH 7854	Bush-pin.....	2		
19	AHH 8340	Washer-plain.....	NLA] (C)G-HD4-138401 TO 187840.
	WL 600051	Washer-spring	2		
	FNZ 105	Nut	2] (C)G-HN5-341295 TO 410000.
	PWZ 105	Washer-plain.....	2		
	LWZ 305	Washer-spring	2] (C)G-HD5-361001 TO 410000.(Except N.America)
	FNZ 105	Nut	2		
	ZCS 505	Screw	4		
	LWZ 305	Washer-spring	4		
23	BHH 1540	Tube-engine restraint \$	1		
24	BHH 1542	Bracket-engine restraint.....	1		
7	1G 8781	Buffer	2		
	NH 606041	Nut	2		
	LWZ 206	Washer-spring	1		
	WA 110061	Washer-plain.....	1		
	53K 1839	Bolt.....	1		
	WA 108051	Washer-plain.....	2		
	LNZ 105	Nut-stiff	1		

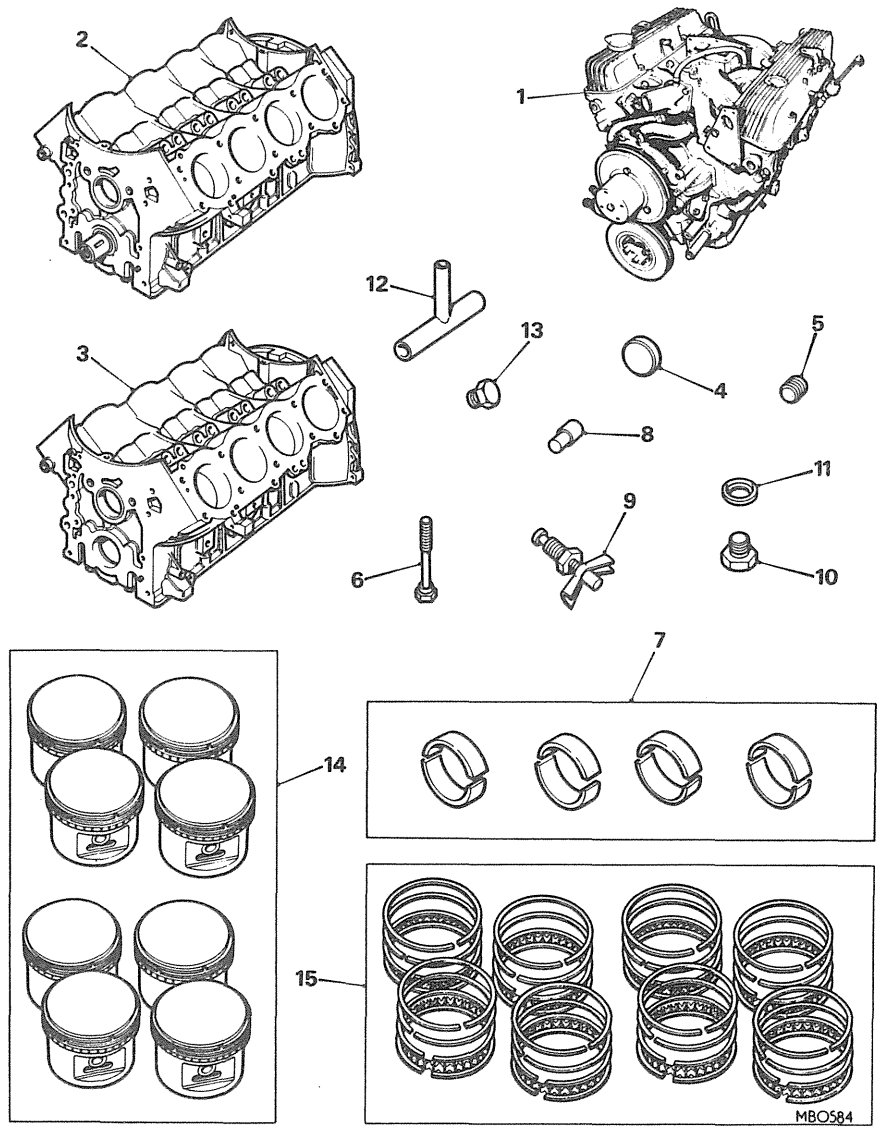
\$ This item is subject to safety regulations

III. No.	Part No.	DESCRIPTION	Qty.	Change Point	REMARKS
----------	----------	-------------	------	--------------	---------

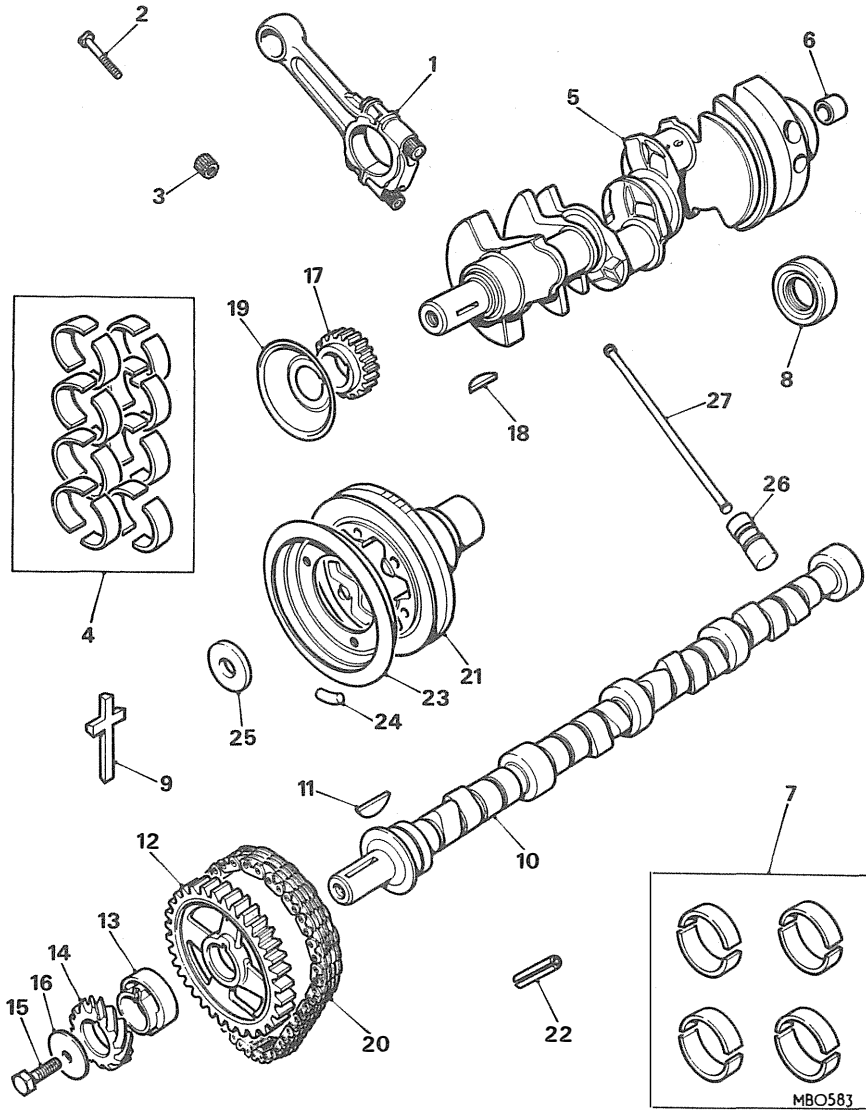
CLUTCH-ALL VERSIONS EXCEPT V8

1	GCC 118	COVER-CLUTCH	1		
2	GCP 116	PLATE ASSEMBLY-DRIVEN	1		
3	8G 8348	Lining(with rivets)	1SET		
4	GRB 106	Bearing-release	1		
5	22B 66	Retainer-bearing	2		
	HZS 507	Screw.....	6		
	LWN 305	Washer-spring	6		





Ill. No.	Part No.	DESCRIPTION	Qty.	Change Point	REMARKS
ENGINE UNIT-V8.					
1	48G 763 N	ENGINE UNIT-STRIPPED.....	1		
2	48G 762 N	ENGINE UNIT-PART.....	1		
3	48G 761	BLOCK ASSEMBLY-CYLINDER.....	1		
4	602152	Plug-cup-38mm(1.5")dia.....	NLA		
4	602147	Plug-cup-15.5mm(.609")dia.....	4		
4	602146	Plug-cup-46.03mm(1.812")dia			
		camshaft rear bore.....	1		
5	602212	Plug-threaded-tappet oil			
		lines.....	2		
6	602130	Bolt-main bearing cap.....	10		
8	602141	Dowel-flywheel housing.....	2		
9	602915	Tap-drain-cylinder block-LH.....	1		
10	53K 2853	Plug-drain tap hole-			
		cylinder block-RH.....	1		
11	6K 638	Washer-plug.....	1		
12	603143	Pipe-inlet-crankcase			
		breather.....	1		
13	612898	Plug-rear flange.....	2		
PISTON ASSEMBLY					
14	8G 2722	Standard grade S.....	1SET		
14	8G 2723	.254mm(.010")O/S.....	1SET		
14	8G 2724	.508mm(.020")O/S.....	1SET		
RING-PISTON(ENGINE SET)					
15	8G 2707	Standard.....	1SET		
15	8G 2707 10	.254mm(.010")O/S.....	1SET		
15	8G 2707 20	.508mm(.020")O/S.....	1SET		



Ill. No.	Part No.	DESCRIPTION	Qty.	Change Point	REMARKS
----------	----------	-------------	------	--------------	---------

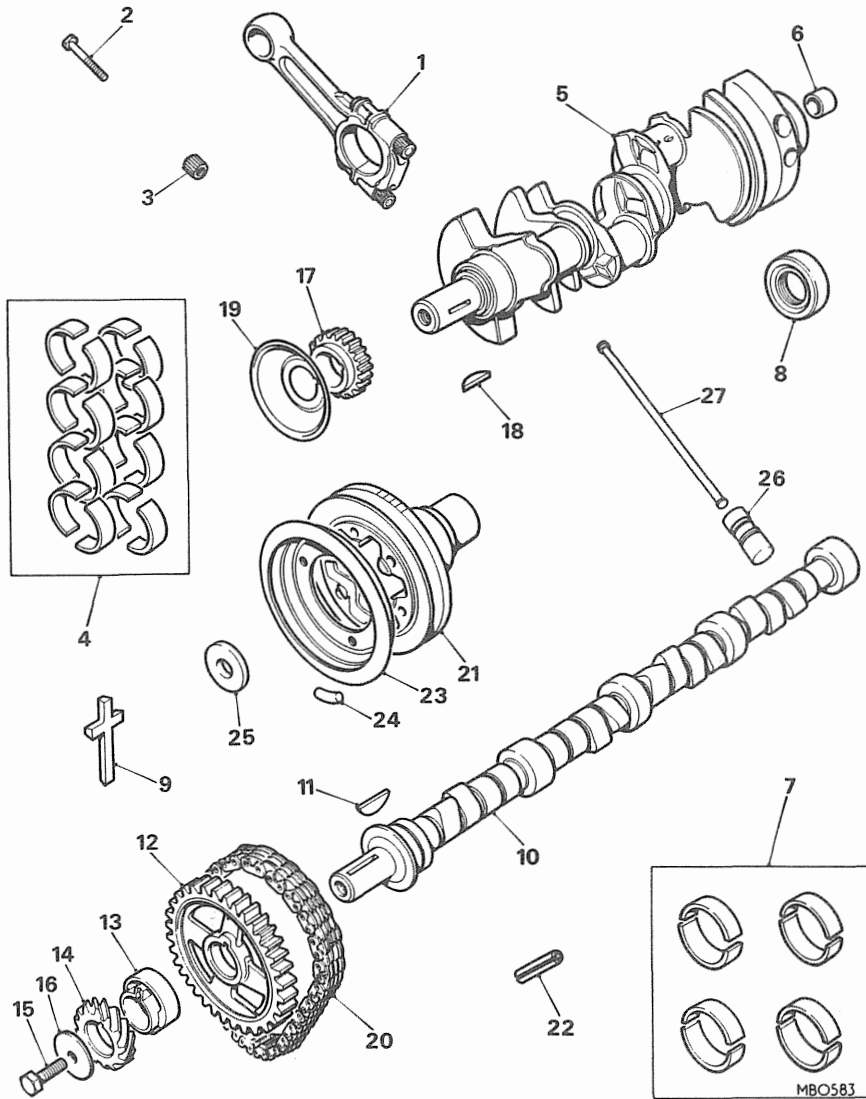
ENGINE UNIT-V8-continued.

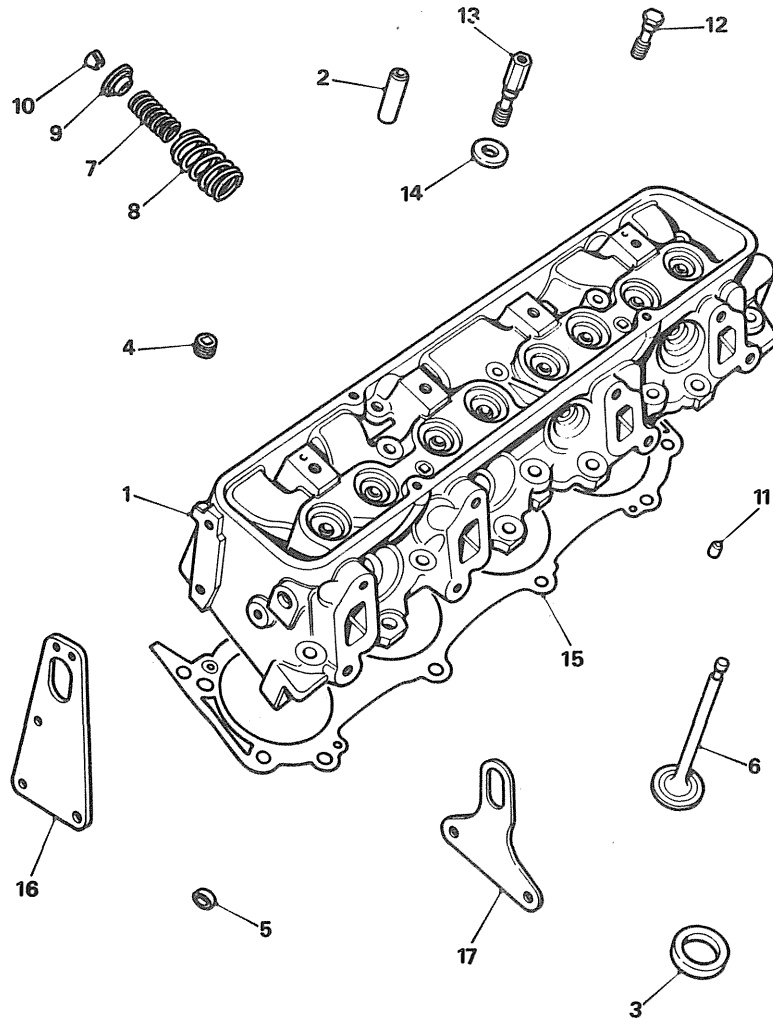
1	602082	ROD ASSEMBLY-CONNECTING	8		
2	602609	Bolt	16		
3	602061	Nut-self locking	16		
BEARING-CONNECTING ROD					
4	8G 2704	Standard	1SET		
4	8G 2704 10	.254mm(.010")U/S.....	1SET		
4	8G 2704 20	.508mm(.020")U/S.....	1SET		
4	8G 2704 30	.762mm(.030")U/S.....	1SET		
4	8G 2704 40	1.016mm(.040")U/S.....	1SET		
5	612990	CRANKSHAFT ASSEMBLY	1		
6	549911	Bush	1		
BEARING-MAIN					
7	8G 2705	Standard	1SET		
7	8G 2705 10	.254mm(.010")U/S.....	1SET		
7	8G 2705 20	.508mm(.020")U/S.....	1SET		
7	8G 2705 30	.762mm(.030")U/S.....	1SET		
7	8G 2705 40	1.016mm(.040")U/S.....	1SET		
8	611409	Seal-oil-crankshaft rear	1		
9	611089	Packing-seal	2		
10	603724	Camshaft	1		
11	90602025	Key-camshaft	1		
12	610289	Chainwheel-camshaft	1		
13	602149	Cam-fuel pump drive	1		
14	602159	Gear-distributor drive	1		
15	602227	Bolt-gear to camshaft	1		
16	602610	Washer-plain	1		
17	90602372	Chain wheel-crankshaft	1		
18	90602025	Key-crankshaft	1		
19	602046	Thrower-oil	1		
20	90602371	Chain-timing	1		

Ill. No.	Part No.	DESCRIPTION	Qty.	Change Point	REMARKS
----------	----------	-------------	------	--------------	---------

ENGINE UNIT-V8-continued.

21	612420	Pulley and vibration damper- crankshaft.....	1		
22	612422	Pin-spring dowel.....	1		
23	603301	Rim-balancing-damper pulley.....	1		
WEIGHT-BALANCING					
24	603523	5 grams (.180 oz).....	A/R		
24	603524	10 grams (.360 oz).....	A/R		
24	603525	15 grams (.540 oz).....	A/R		
24	603526	20 grams (.720 oz).....	A/R		
Bolt-damper pulley to crankshaft.....					
25	602411	Washer-bolt.....	1		
Bolt-balancing rim to damper pulley.....					
	NH 605041	Nut.....	3		
26	602187	Tappet-hydraulic.....	16		
27	603378	Push-rod.....	16		



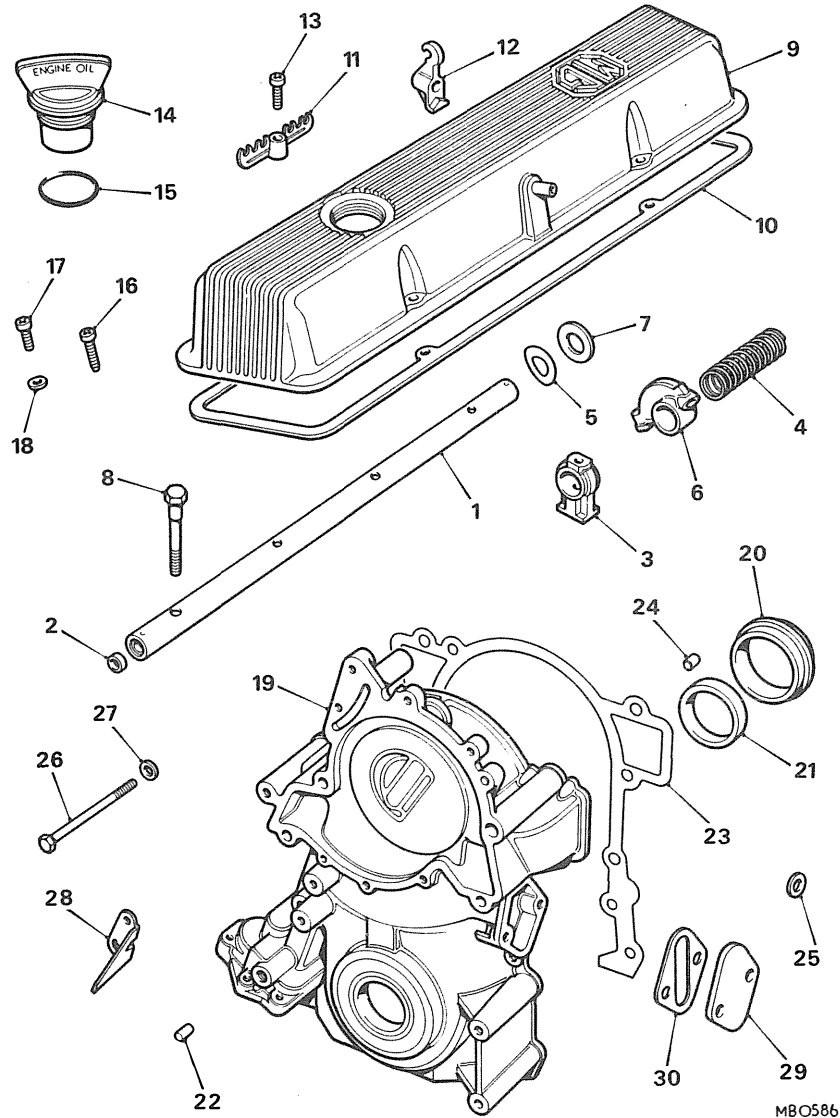


MB0589

Ill. No.	Part No.	DESCRIPTION	Qty.	Change Point	REMARKS
----------	----------	-------------	------	--------------	---------

ENGINE UNIT-V8-continued.

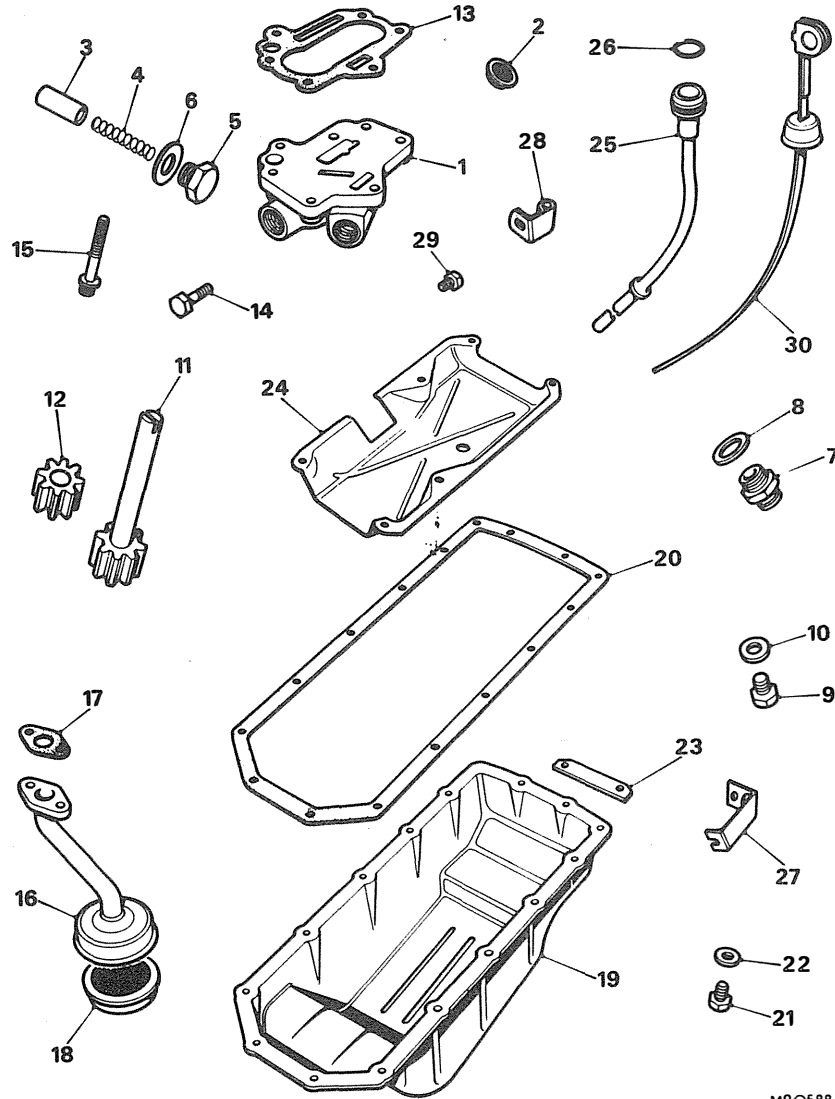
1	614642	HEAD ASSEMBLY-CYLINDER (WITH GUIDES AND PLUGS)	2		
2	603554	Guide	NLA		
3	602052	Insert-valve seat-inlet	8		
	614639	Insert-valve seat-exhaust	8		
4	602123	Plug-core	4		
5	602289	Plug-cup	4		
6	602166	Valve-inlet	8		
	602165	Valve-exhaust	8		
7	602241	Spring-valve-inner	16		
8	602240	Spring-valve-outer	16		
9	602451	Cap-valve spring	16		
10	602303	Cotter-valve-half	32		
11	602040	Dowel	4		
12	602191	Bolt	8		
12	602192	Bolt	13		
12	602193	Bolt	6		
13	BHH 1181	Bolt-threaded head	NLA		
14	602098	Washer	28		
15	GEG 340	Gasket-cylinder head	2		
16	BHH 1118	Bracket-lifting-front-LH head	NLA		
	610380	Bracket-lifting-front-RH head	1		
	SH 506071	Bolt-bracket to head	5		
	WL 600061	Washer-spring	5		
17	611004	Bracket-lifting-rear-LH head	1		
	SH 505071	Bolt-bracket to head	1		
	WL 600051	Washer-spring	1		
	SH 506071	Bolt-bracket to head	1		
	WL 600061	Washer-spring	1		



Ill. No.	Part No.	DESCRIPTION	Qty.	Change Point	REMARKS
----------	----------	-------------	------	--------------	---------

ENGINE UNIT-V8-continued.

1	611659	SHAFT ASSEMBLY-VALVE			
		ROCKER	2		
		Plug	4		
2	610988	Bracket-rocker shaft	8		
3	603734	Spring-shaft	6		
4	602142	Washer-waved-shaft end	4		
5	602148	Rocker-valve-RH	8		
6	602153	Rocker-valve-LH	8		
7	602154	Washer-valve rocker shaft	4		
8	602186	Pin-split	4		
	ZPS 311	Bolt-rocker bracket to			
	602097	cylinder head	8		
9	BHH 1208	Cover-valve rocker-RH	1		
	BHH 1209	Cover-valve rocker-LH	1		
10	GEG 436	Gasket-cover-rocker	2		
11	603672	Retainer-spark plug leads	2		
12	610402	Retainer-spark plug leads-			
		RH cover	1		
13	78862	Screw-retainer to cover	3		
14	574088	Cap-oil filler	1		
15	564258	O'ring	1		
16	603127	Screw-long-cover to head	4		
17	602530	Screw-short-cover to head	4		
	WL 600041	Washer-spring	8		
18	3911	Washer-plain	8		
19	610391	COVER ASSEMBLY-FRONT	1		
20	602158	Thrower-oil	1		
21	602178	Packing-crankshaft-front	1		
22	602201	Dowel-locating water pump	2		
23	603775	Gasket-cover	1		
24	90602202	Dowel	2		
	SH 505091	Bolt-cover to block	3		
	BH 505241	Bolt-cover to block	1		
25	2920	Washer-plain	4		
26	602388	Bolt-cover to block	1		
27	4075	Washer-plain	1		
28	602690	Pointer-timing	1		
	SH 504051	Bolt-pointer to cover	1		
	WL 600041	Washer-spring	2		
	PWZ 204	Washer-plain	1		
29	610030	Plate-blanking-front cover	1		
30	602180	Gasket-blanking plate	1		
	SH 505091	Bolt-plate to cover	2		
25	2920	Washer-plain	2		



M80588

Ill. No.	Part No.	DESCRIPTION	Qty.	Change Point	REMARKS
----------	----------	-------------	------	--------------	---------

ENGINE UNIT-V8-continued.

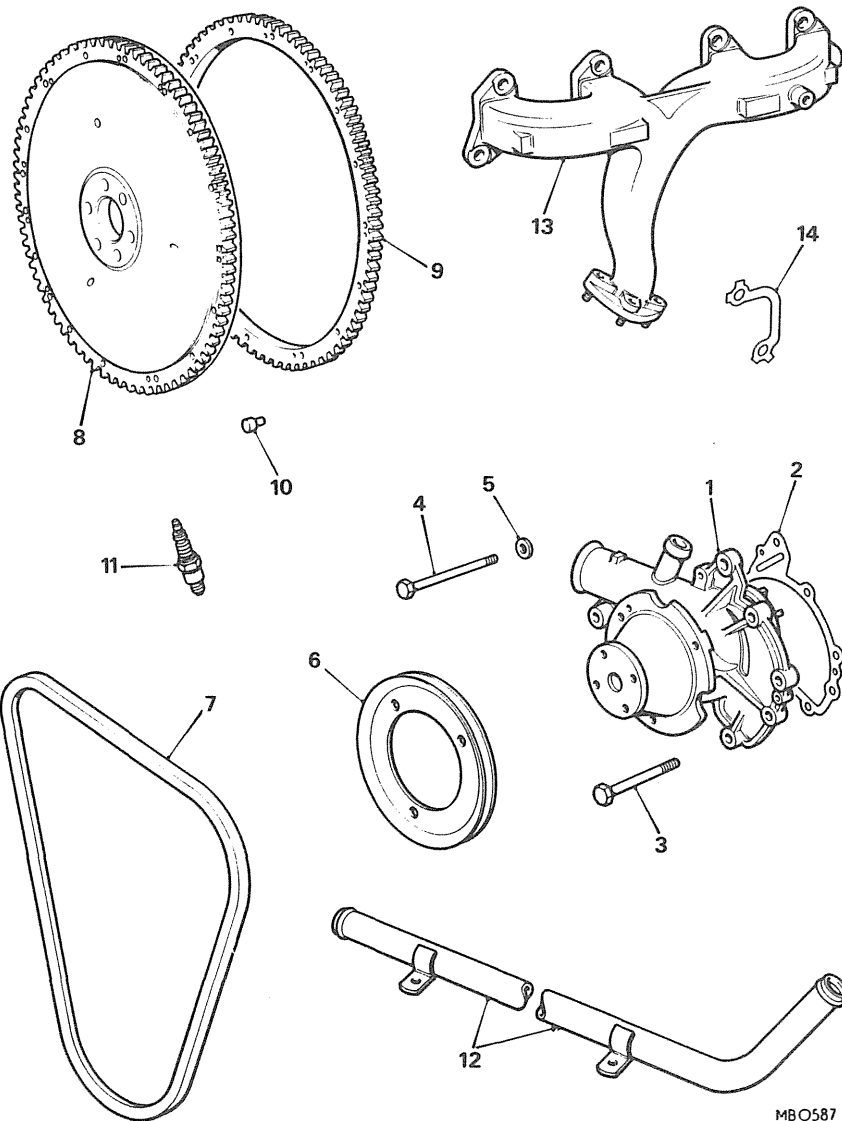
1	BHH 998	COVER ASSEMBLY-OIL PUMP.....	1		
2	610915	Strainer-oil.....	1		
3	90602064	Valve-relief-oil pressure.....	1		
4	BHH 1348	Spring-relief valve.....	1		
5	602071	Cap-relief valve.....	1		
6	603521	Washer-cap.....	1		
7	AHH 6701	Adaptor-union.....	1		
8	6K 431	Washer(copper).....	1		
9	88G 257	Plug.....	1		
10	6K 638	Washer-plug.....	1		
31	BHH 1231	Union-oil gauge pipe.....	1		
32	6K 464	Washer-union.....	1		
11	602018	Shaft and gear-pump.....	1		
12	602017	Gear-idler-pump.....	1		
13	90602072	Gasket-pump cover.....	1		
14	602910	Bolt-pump cover to front cover.....	5		
15	602913	Bolt-pump cover to front cover.....	1		
16	612708	Housing-oil screen.....	1		
17	90602068	Gasket-housing.....	1		
18	602070	Screen-oil.....	1		
	SX 504061	Bolt-housing to cylinder head.....	2		
	WL 600041	Washer-spring.....	2		
19	603434	Sump-crankcase.....	1		
20	GEG 539	Gasket-sump to block.....	1		
21	554164	Plug-drain.....	1		
22	213961	Washer-plug.....	1		
23	603943	Strip-sump reinforcing.....	1		
	SH 505071	Bolt-strip and sump to block.....	2		
	SH 505051	Bolt-sump to block.....	14		
	WL 600051	Washer-spring.....	16		
24	90602290	Plate-baffle-sump.....	1		
	SH 504051	Bolt-baffle plate to block.....	6		
	WL 600041	Washer-spring.....	6		
	PWZ 204	Washer-plain.....	6		
25	BHH 1177	Tube-oil dipper rod.....	1		
26	532319	O'ring.....	1		
27	BHH 1179	Bracket-tube retaining.....	1		
	SH 604031	Bolt-bracket to head.....	1		
	WL 600041	Washer-spring.....	1		
28	BHH 1180	Clip-tube.....	1		
29	78862	Screw.....	1		
30	90613532	Rod-oil dipper.....	1		

] (C)G-D2D1-1149 ON

Ill. No. | Part No. | ||||| DESCRIPTION | Qty. | Change Point | REMARKS

ENGINE UNIT-V8-continued.

1	GWP 304	Pump-water	1		
2	610756	Gasket-water pump.....	1		
	SH 504091	Bolt-pump to front cover.....	5		
	PWZ 104	Washer-plain.....	5		
3	254037	Bolt-pump and front cover to block-121mm(4.75")long.....	3		
4	253955	Bolt-pump and front cover to block-140mm(5.5")long.....	1		
5	2920	Washer-plain.....	4		
6	602582	Pulley-water pump.....	1		
	SH 504051	Bolt-pulley to hub.....	3		
	WL 600041	Washer-spring	3		
7	GFB 148	Belt-driving-fan	1		
8	612368	FLYWHEEL ASSEMBLY	1		
9	611323	Ring-starter	1		
10	231759	Dowel-clutch	3		
	SH 607081	Bolt-flywheel to crankshaft.....	6		
11	L 92 Y	Plug-sparking	8		
12	603049	Pipe-heater outlet.....	1		
	SH 504041	Bolt-pipe to inlet manifold.....	2		
	WL 600041	Washer-spring	2		
13	BHH 999	Manifold-exhaust-RH	1		
	BHH 1000	Manifold-exhaust-LH.....	1		
	CHS 2513	Stud-manifold.....	6		
14	90613659	Plate-locking-manifold to head.....	NLA		
	SH 506091	Bolt-manifold to head.....	16		
	12H 2178	Washer-bolt.....	16		

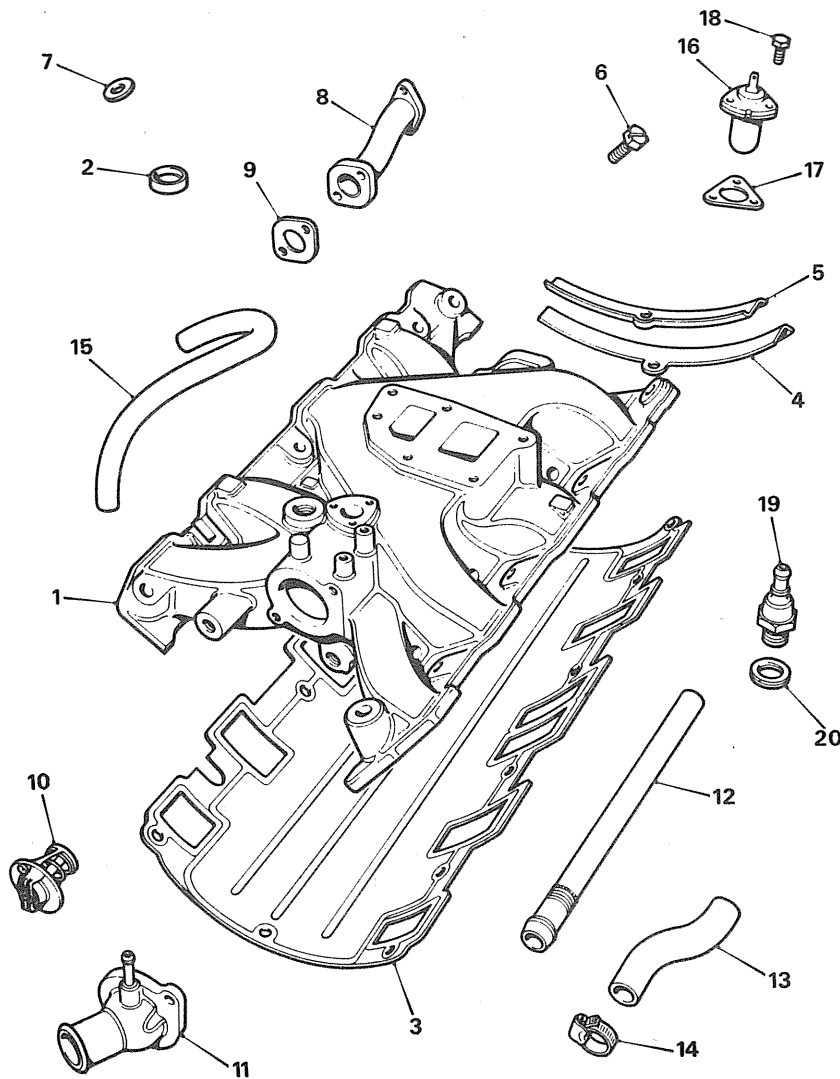


MBO587

Ill. No.	Part No.	DESCRIPTION	Qty.	Change Point	REMARKS
----------	----------	-------------	------	--------------	---------

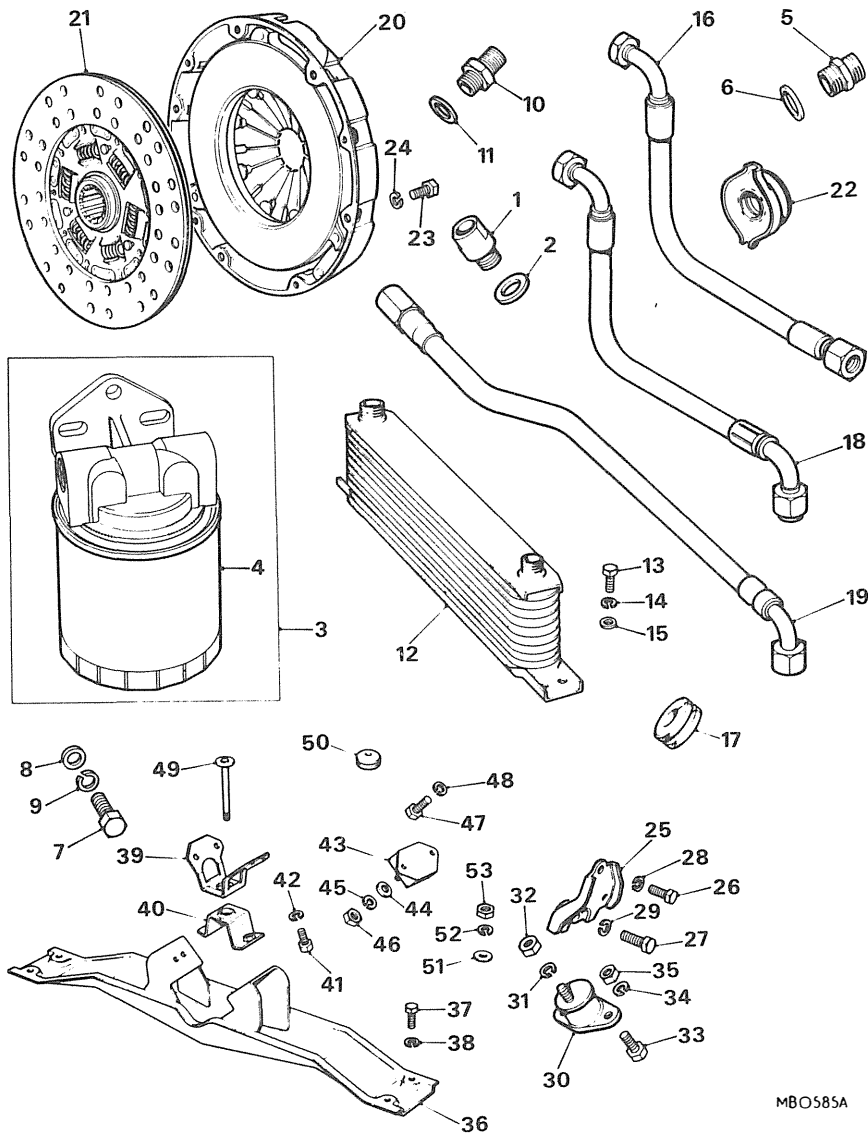
ENGINE UNIT-V8-continued.

1	BHH 1017	MANIFOLD ASSEMBLY-INLET	1		
2	602152	Plug	NLA		
	TE 505221	Stud-carburettor adaptor	1		
3	GEG 665	Gasket-manifold	1		
4	602099	Seal-gasket	2		
5	602076	Clamp-gasket	2		
	SH 505071	Bolt-clamp and gasket to block	2		
	WL 600051	Washer	2		
	BH 506121	Bolt-manifold to head- 38mm long	9		
	BH 506161	Bolt-manifold to head- 51mm long	2		
6	90611504	Bolt-manifold to head- 33.3mm long	1		
7	2204	Washer-plain	12		
8	BHH 1065	Pipe-heater outlet	1		
9	603441	Gasket-pipe	1		
	SH 504061	Screw-outlet pipe to inlet manifold	2		
	WL 600061	Washer-spring	2		
10	GTS 104	Thermostat-82C	1		
11	BHH 1005	Elbow-water outlet	1		
	611786	Gasket	1		
	SH 505071	Bolt-elbow to inlet manifold	2		
	WL 600051	Washer-spring	2		
	613544	Hose-outlet pipe to engine	1		
	GHC 709	Clip-hose	2		
12	90611532	Pipe-by-pass-thermostat	1		
13	90611531	Hose-by-pass	1		
14	GHC 709	Clip-hose	2		
15	BHH 1064	Pipe-steam-water outlet elbow to inlet manifold	1		
	CC 600084	Clip-pipe	2		
16	BHA 5252	Switch-thermostat	1		
17	236022	Gasket-switch	1		
18	257064	Screw-switch to inlet manifold	3		
	WM 702001	Washer-spring	3		
19	13H 9216	Valve-non return-brake servo \$	1		
20	232043	Washer-valve	1		



MB0590

\$ This item is subject to safety regulations.



MBO585A

Ill. No.	Part No.	DESCRIPTION	Qty.	Change Point	REMARKS
----------	----------	-------------	------	--------------	---------

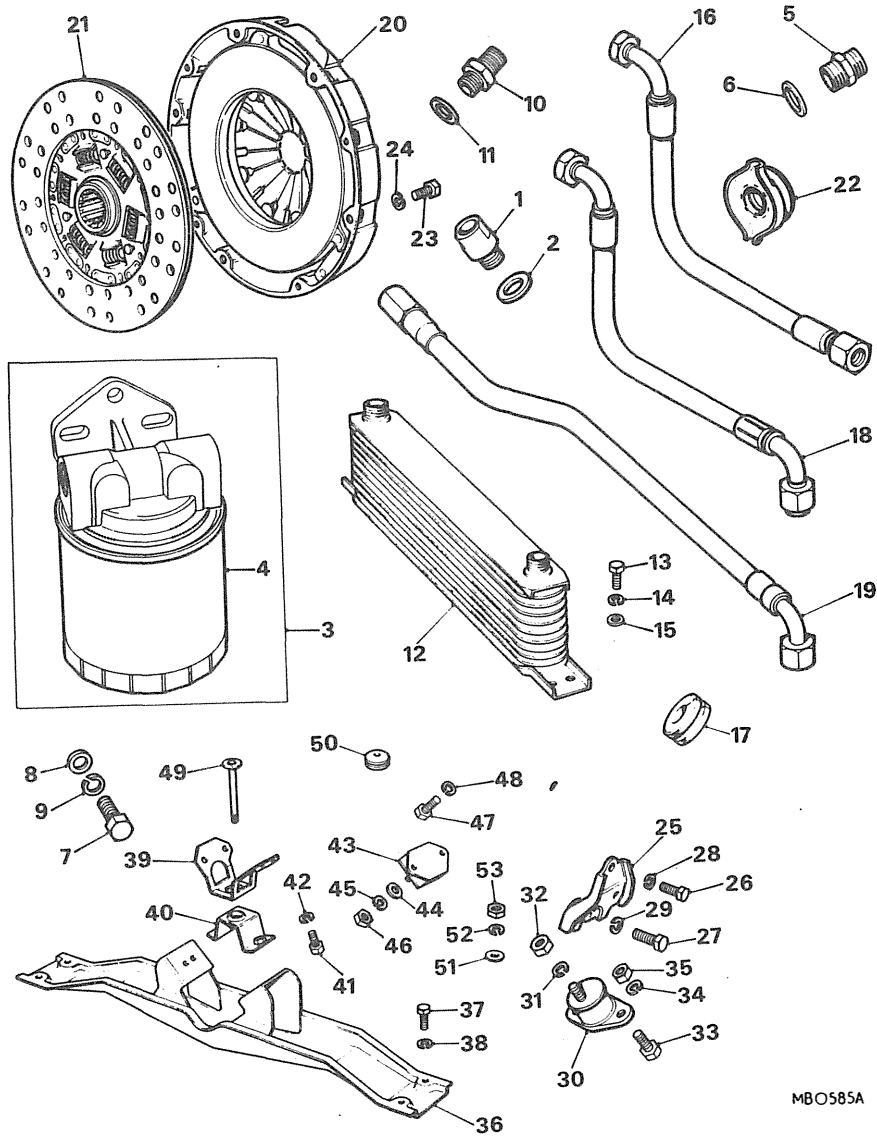
ENGINE UNIT-V8-continued.

	GEG 1155	Gasket-set-decarbonizing	1		
	GEG 269	Gasket-set-supplementary	1		
1	11K 2846	Adaptor-transmitter-thermal.....	1		
2	AED 172	Washer-sealing	1		
3	BHA 5286	FILTER ASSEMBLY-OIL	1		
4	GFE 114	Element-oil filter	1		
5	AHH 6701	Union-adaptor-oil filter	2		
6	6K 431	Washer-sealing	2		
7	SH 605071	Screw-filter to body.....	3		
8	WA 108051	Washer-plain.....	3		
9	WL 600051	Washer-spring	3		
10	BHH 1231	Union-oil gauge pipe to filter.....	1] (C)G-D2D1-101 TO 1148
11	6K 464 BHH 1349	Washer-union	1		
		Plug-special-oil pump cover/ oil filter.....	1		
	6K 464	Washer-plug	1		
12	ARH 186	Cooler-oil	1		(C)G-D2D1-101 TO 2100
12	ARH 185	Cooler-oil	1		(C)G-D2D1-2101 TO 2903.
13	SH 604051	Screw-cooler.....	4		
14	WA 106041	Washer-plain.....	4		
15	WL 600041	Washer-spring	4		
16	BHH 1104	Hose-oil pump to filter.....	1		
17	AHA 8401	Grommet.....	2		
18	BHH 1341	Hose-oil filter to oil cooler.....	1] (C)G-D2D1-101 TO 2100
19	BHH 1103	Hose-oil cooler to oil pump	1		
18	BHH 1612	Hose-oil filter to oil cooler.....	1] (C)G-D2D1-2101 TO 2903.
19	BHH 1613	Hose-oil cooler to oil pump.....	1		

Ill. No.	Part No.	DESCRIPTION	Qty.	Change Point	REMARKS
----------	----------	-------------	------	--------------	---------

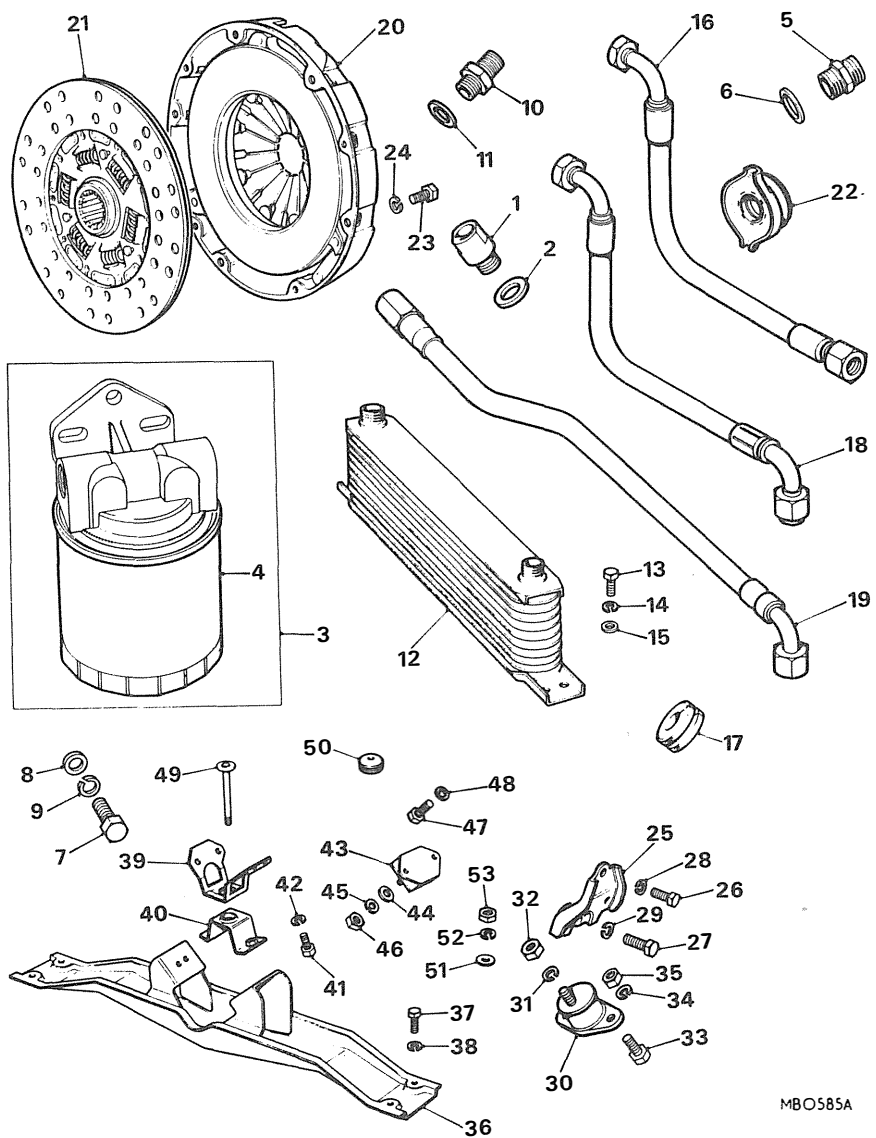
ENGINE UNIT-V8-continued.

20	GCC 180	Cover-clutch	1		
21	GCP 208	Plate-driven	1		
22	GRB 224	Bearing-clutch release.....	1		
23	SH 605071	Bolt-cover to flywheel.....	6		
24	WL 600051	Washer-spring	6		



MBO585A

MGB



MBO585A

MGB-TOURER,GT AND V8-UPTO SEPTEMBER 1976

Ill. No.	Part No.	DESCRIPTION	Qty.	Change Point	REMARKS
----------	----------	-------------	------	--------------	---------

ENGINE MOUNTINGS-V8.

25	BHH 991	Bracket-engine mounting-RH	1		
	BHH 992	Bracket-engine mounting-LH	1		
26	SH 505071	Screw-bracket to block	2		
27	SH 507091	Screw-bracket to block	2		
28	WL 600051	Washer-spring	2		
29	WL 600071	Washer-spring	2		
30	BHH 1318	Mounting-engine-front	2		
31	WL 600051	Washer-spring	2		
32	NH 605041	Nut	2		
33	SH 605051	Screw-bracket to rubber	4		
34	WL 600051	Washer-spring	4		
35	NH 605041	Nut	4		
36	AHH 8430	Crossmember-gearbox mounting	1		
37	SH 606071	Screw-crossmember to frame	4		
38	WL 600061	Washer-spring	4		
39	AHH 8431	Bracket-top-vertical engine tie	1		
40	AHH 8432	Bracket-bottom-vertical engine tie	1		
41	SH 605061	Screw-bottom bracket to cross-member	2		
42	WL 600051	Washer-spring	2		
43	11B 5074	Mounting-engine-rear	2		
44	WA 108051	Washer-plain	2		
45	LWZ 305	Washer-spring	2		
46	NH 605041	Nut	2		
47	SH 505061	Screw-rear mounting to gearbox	4		
48	LWZ 305	Washer-spring	4		
49	AHH 7855	Pin-rear engine mounting	1		
50	AHH 7854	Bush-pin	1		
51	AHH 8340	Washer-plain	NLA		
52	WL 600051	Washer-spring	1		
53	NH 605041	Nut-vertical tie	1		