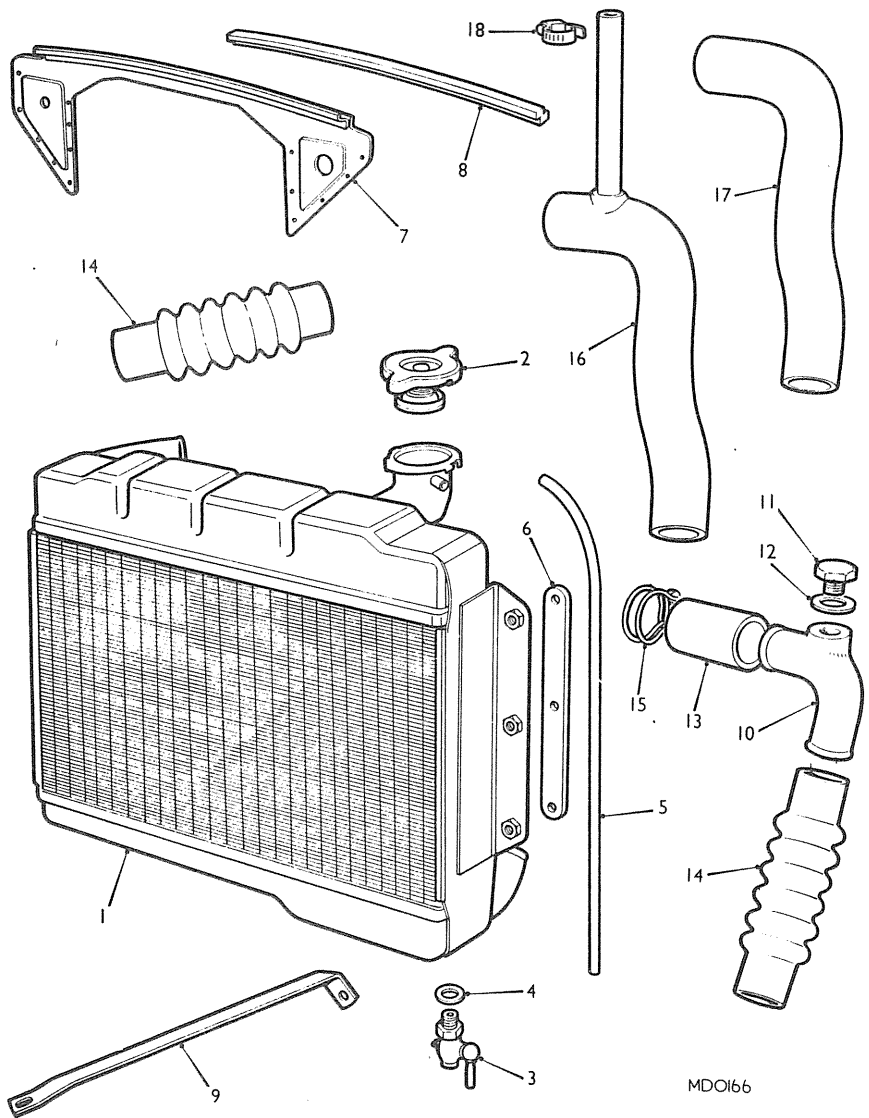


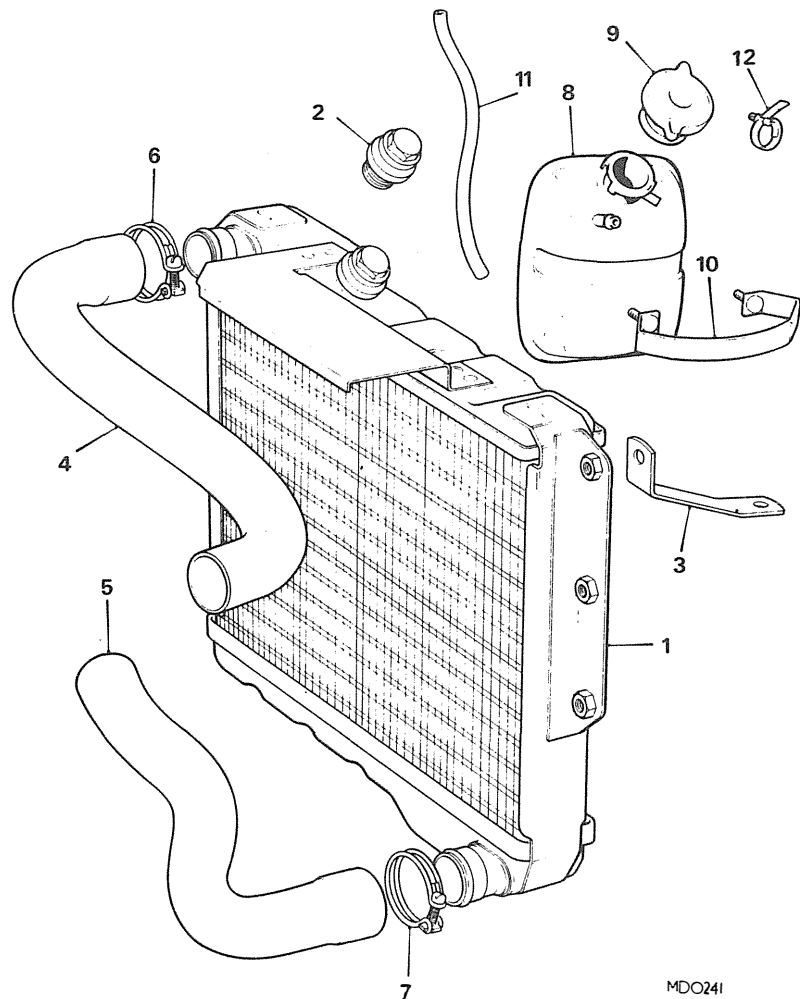
MDO166

MGB-TOURER,GT AND V8-UPTO SEPTEMBER 1976

| Ill. No. | Part No. | DESCRIPTION | Qty. | Change Point | REMARKS |
|-------------------------------------|------------|-----------------------------------|------|---|--|
| RADIATOR AND FITTINGS-NOT V8 | | | | | |
| 1 | ARH 260 | Radiator | 1 | (C)G-HN3,G-HD3-101 TO 138400 (C)G-HN4-138401 TO 187210 | Use NRP 1142 With 1 off cap GRC 111. |
| 2 | GRC 102 | Cap-filler | 1 | | |
| 1 | ARC 82 | Radiator | NLA | | |
| 2 | GRC 109 | Cap-filler 10LB..... | 1 | (C)G-HN5-187211 TO 386600 (C)G-HD4-138401 TO 187840 (C)G-HD5-187841 TO 386600 (C)G-HN5,HD5-386601 TO 410000. | |
| 1 | NRP 1142 | Radiator | 1 | | Supplied in multiples of metres Quantity reduced at (C)G-HN4,G-HD4-146506 |
| 2 | GRC 111 | Cap-filler 13LB..... | 1 | | |
| 3 | ARH 1050 | Tap-drain | 1 | | |
| 4 | ARH 517 | Washer | 1 | | |
| 5 | GRH 1001 M | Tube-overflow-584mm(23")long..... | 1 | | |
| 6 | AHH 6320 | Packing-radiator | 4/2 | | |
| | HZS 510 | Screw | 2 | | |
| | HZS 506 | Screw | 4 | | |
| | WL 600051 | Washer-spring | 6 | | |
| 7 | HZA 2327 | Diaphragm-radiator | 1 | (C)G-HN4-138401 TO 187210 (C)G-HN5-187211 TO 410000. (C)G-HD4-138401 TO 187840 (C)G-HD5-187841 TO 410000. | |
| | AHH 8887 | Rubber-sealing-radiator | 1 | | |
| 8 | AHH 7205 | Seal-radiator diaphragm | 1 | (C)G-HN5-368082 TO 367803. (USA and Canada) | |
| | AHA 8401 | Plug-radiator-diaphragm | 2 | | |
| | HZS 505 | Screw | 8 | | |
| | PWZ 105 | Washer-plain..... | 8 | | |
| | WL 600051 | Washer-spring | 8 | | |
| 9 | AHH 6321 | Tie-radiator-RH..... | 1 | | |
| | AHH 6322 | Tie-radiator-LH..... | 1 | | |
| | PWZ 105 | Washer-plain..... | 2 | | |
| | WL 600051 | Washer-spring | 4 | | |
| | FNZ 105 | Nut | 4 | | |



| Ill. No. | Part No. | DESCRIPTION | Qty. | Change Point | REMARKS |
|---|----------|--|------|---|-------------------------------|
| RADIATOR AND FITTINGS-NOT V8-continued | | | | | |
| 10 | ACH 5031 | Pipe-water pump connector..... | NLA | (C)G-HN3-101 TO 138400 | Use when heater is not fitted |
| 11 | AEK 122 | Plug-connector..... | 1 | (C)G-HN4-138401 TO 187210 | |
| 12 | AEK 123 | Washer..... | NLA | | Use FMK 8859 |
| 13 | ACH 5032 | Hose-connector..... | NLA | | |
| 13 | FMK 8859 | Hose-connector..... | 1 | | |
| 14 | GRH 305 | Hose-top and bottom..... | 2 | (C)G-HN5-187211 TO 258000 | Use when heater is fitted. |
| 15 | GHC 913 | Clip..... | 6 | (C)G-HD3-101 TO 138400 | |
| 16 | GRH 498 | Hose-radiator to water pump..... | 1 | (C)G-HD4-138401 TO 187840 | |
| 14 | GRH 305 | Hose-top..... | 1 | (C)G-HD5-187841 TO 258000 | |
| 15 | GHC 913 | Clip..... | 2 | (C)G-HN5,G-HD5-258001 TO 410000. | |
| 16 | GRH 498 | Hose-radiator to water pump..... | 1 | (C)G-HN5,G-HD5-258001 TO 410000 (except USA and Canada) | |
| 16 | BHH 1693 | Hose-radiator to water pump..... | 1 | (C)G-HN5,G-HD5.258001 TO 360300 (Tourer)and 36100 (GT) USA and Canada.) | Use when heater is fitted. |
| 17 | BHH 556 | Hose-radiator to water pump..... | 1 | (C)G-HN5-360301 TO 410000 | |
| 15 | HCS 126 | Clip-hose to pump..... | 1 | (C)G-HD5-361001 TO 367803 (USA and Canada.) | Use when heater is not fitted |
| 15 | HCS 124 | Clip-hose to radiator..... | 1 | | |
| 18 | GHC 709 | Clip-heater outlet to heater tube..... | 1 | (C)G-HN5,G-HD5-258001 TO 410000 | |



| Ill. No. | Part No. | DESCRIPTION | Qty. | Change Point | REMARKS |
|---------------------------------|------------|---|------|-------------------------|---|
| RADIATOR AND FITTINGS-V8 | | | | | |
| 1 | ARC 88 | RADIATOR ASSEMBLY..... | 1 | (C)G-D2D1-101 TO 2100 | |
| 1 | NRP 1059 | RADIATOR ASSEMBLY..... | 1 | (C)G-D2D1-2101 TO 2903. | |
| 2 | ARA 2634 | Plug..... | 1 | | |
| 3 | BHH 1052 | Bracket-support-RH..... | NLA | | |
| | HZS 507 | Screw-top fixing..... | 2 | | |
| | PWZ 305 | Washer-plain..... | 2 | | |
| | WL 600051 | Washer-spring..... | 2 | | |
| | FNZ 105 | Nut..... | 2 | | |
| | BHH 1304 | Bracket-support-LH..... | 1 | | |
| | HZS 505 | Screw-support to bonnet lock platform..... | 2 | | |
| | PWZ 305 | Washer-plain..... | 2 | | |
| | WL 600051 | Washer-spring..... | 2 | | |
| | FNZ 105 | Nut..... | 2 | | |
| | HZS 505 | Screw-lower fixing..... | 4 | | |
| | PWZ 305 | Washer-plain..... | 4 | | |
| | WL 600051 | Washer-spring..... | 4 | | |
| 4 | GRH 512 | Hose-top..... | 1 | | |
| 5 | GRH 511 | Hose-bottom..... | 1 | | |
| 6 | GHC 1622 | Clip..... | 2 | | |
| 7 | GHC 1217 | Clip..... | 2 | | |
| 8 | ARH 250 | Tank-expansion..... | 1 | | |
| 9 | GRC 110 | Cap-filler..... | 1 | | |
| 10 | AHA 8739 | Clip-tank..... | 1 | | |
| | WL 600051 | Washer-spring..... | 1 | | |
| | WA 108051 | Washer-plain..... | 1 | | |
| | LNZ 205 | Nut..... | 2 | | |
| 11 | GRH 1002 M | Hose-overflow-header to expansion tank-28cm(11")..... | A/R | | Supplied in 6 metre rolls |
| 12 | 21K 8341 | Clip..... | 2 | | |
| 11 | GRH 1001 M | Hose-tank overflow-43.8cm (17.25")..... | A/R | | Supplied in multiples of metres(39.37') |

| Ill. No. | Part No. | DESCRIPTION | Qty. | Change Point | REMARKS |
|----------|----------|-------------|------|--------------|---------|
|----------|----------|-------------|------|--------------|---------|

ELECTRIC FAN-V8

| | | | | | |
|---|-----------|------------------------|-----|--|--|
| 1 | 13H 8238 | FAN ASSEMBLY..... | 2 | | |
| | 37H 8572 | Screw..... | 2 | | |
| 2 | BHA 5256 | Motor..... | 2 | | |
| 3 | BHH 1028 | Bracket-motor-RH..... | 1 | | |
| | BHH 1306 | Bracket-motor-LH..... | NLA | | |
| | HZS 404 | Screw-bracket..... | 3 | | |
| | LWZ 204 | Washer-spring..... | 4 | | |
| | PWZ 104 | Washer-plain..... | 3 | | |
| | FNZ 104 | Nut..... | 1 | | |
| 4 | BHH 1029 | Cap-motor bracket..... | 2 | | |
| | SH 604061 | Screw-motor clamp..... | 4 | | |
| | PWZ 204 | Washer-plain..... | 4 | | |
| 5 | UKC 5146 | Relay-motor..... | 1 | | |
| 6 | BHH 1305 | Guard-fan..... | 1 | | |
| | HZS 404 | Screw-guard..... | 2 | | |
| | PWZ 204 | Washer-plain..... | 2 | | |
| | LWZ 204 | Washer-spring..... | 2 | | |

