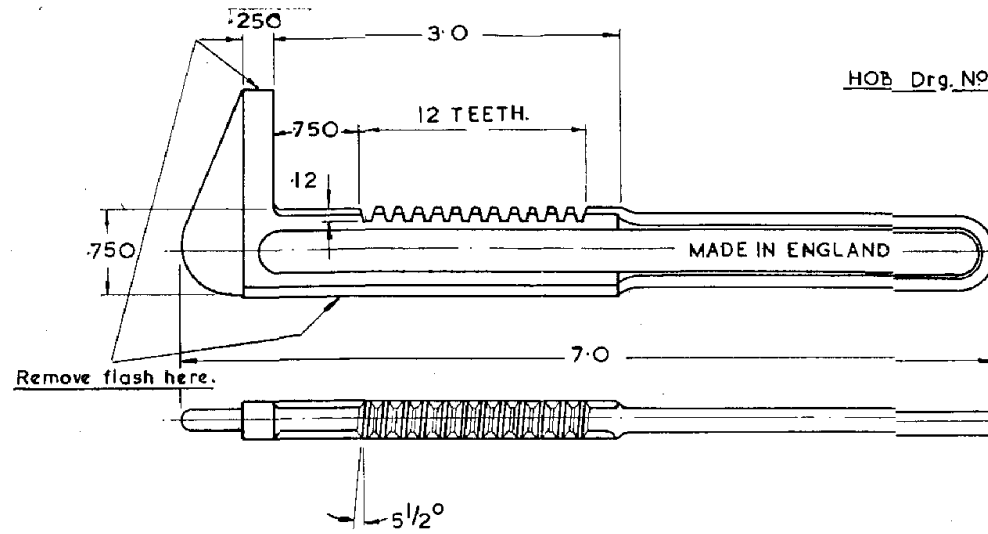


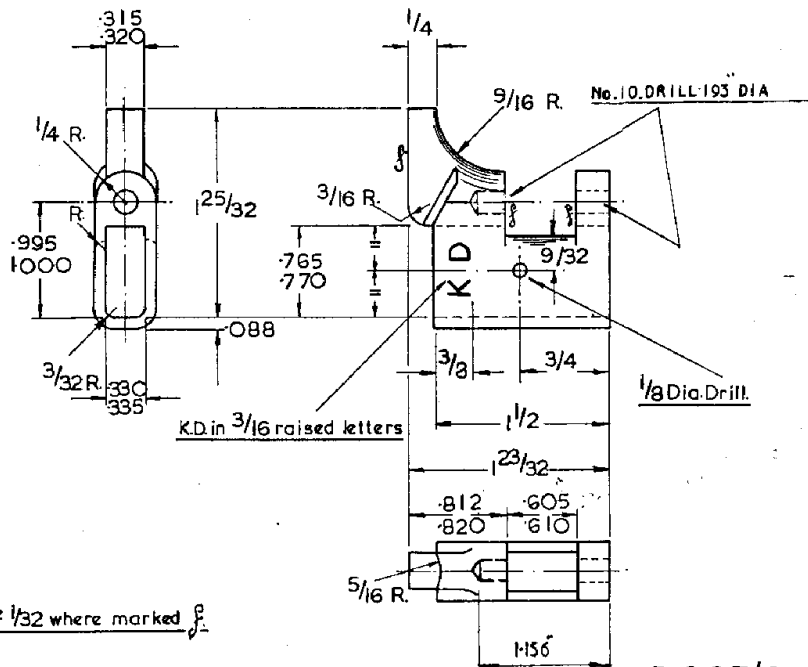
HOB Drg. No A1657



STAIL

TYPE E STEEL STAMPING NO A 30.6 S

B 387/1

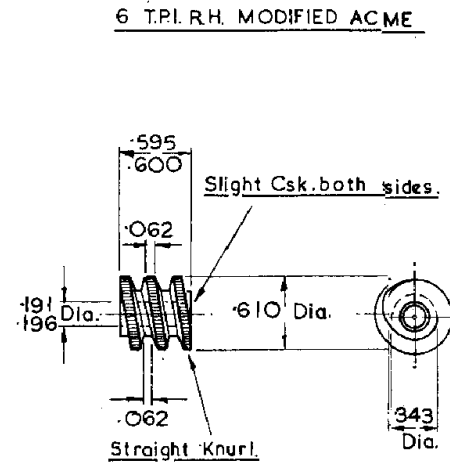


M/c all  $\frac{1}{32}$  where marked  $\frac{f}{-}$ .

SLIDING JAW

MALL IRON C'STG

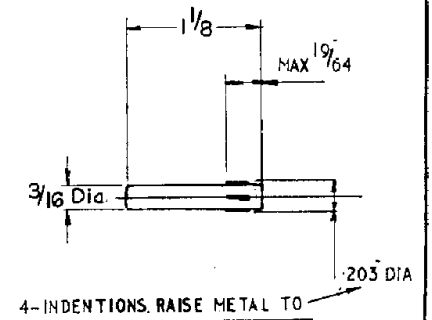
B 387/2



ROLLER

M.S.

B 387/3



PIN

M.S.

B 387/4

NOTE:- FINISHED MACHINED DIMENSIONS. MACHINING ALLOWANCE WHERE MARKED  $\frac{f}{-}$ . TOLERANCES  $\pm$  UNLESS OTHERWISE STATED. REMOVE SHARP EDGES.

DRG. NO

B  
387

ABINGDON **KING DICK** LTD.  
KING ROAD, TYSELEY, BIRMINGHAM 11

CHECKED

TRACED E.H.  
20-3-61  
DRAWN G.P.

MOD. No.

M2840

MODIFICATIONS

Retraced no change.  
Pin in removed & tapered

DATE

20-3-61

MATERIAL

As Above

No. OFF

SCALE

IBLY

TITLE

7  
ADJUSTABLE  
AUTO WRENCH

ISSUE

8

No.

B 387  
STOCK NO  
AAW 207