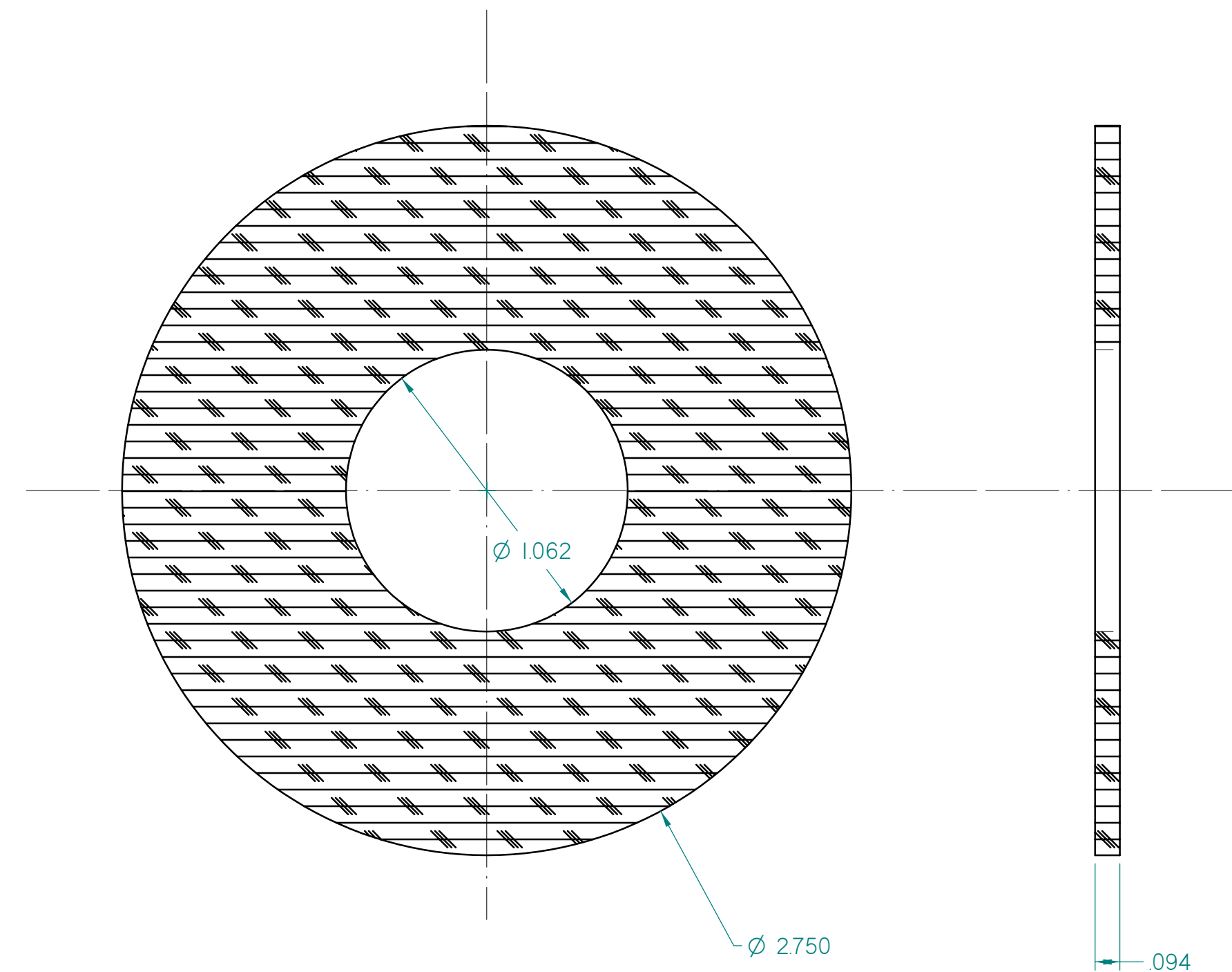
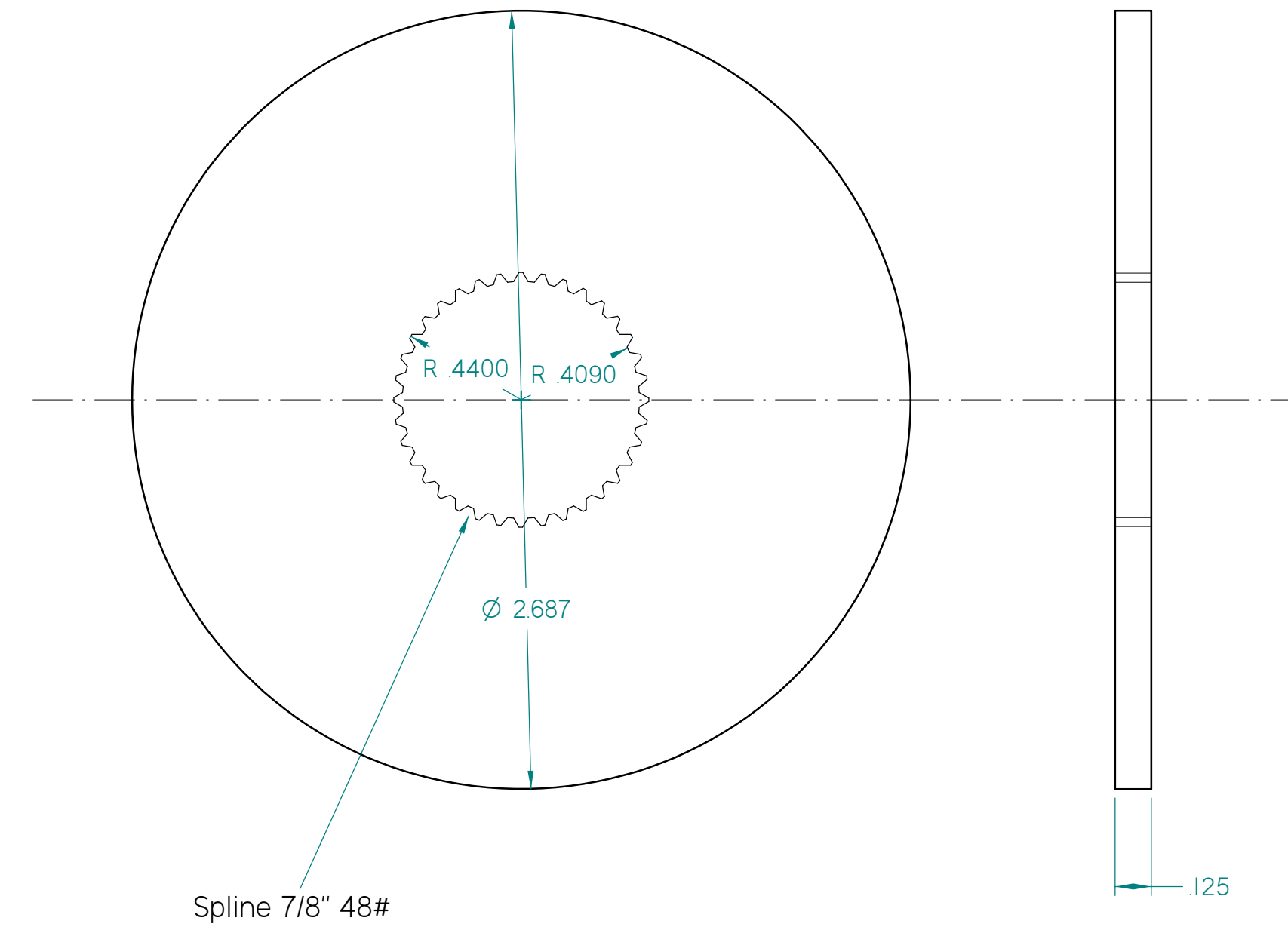


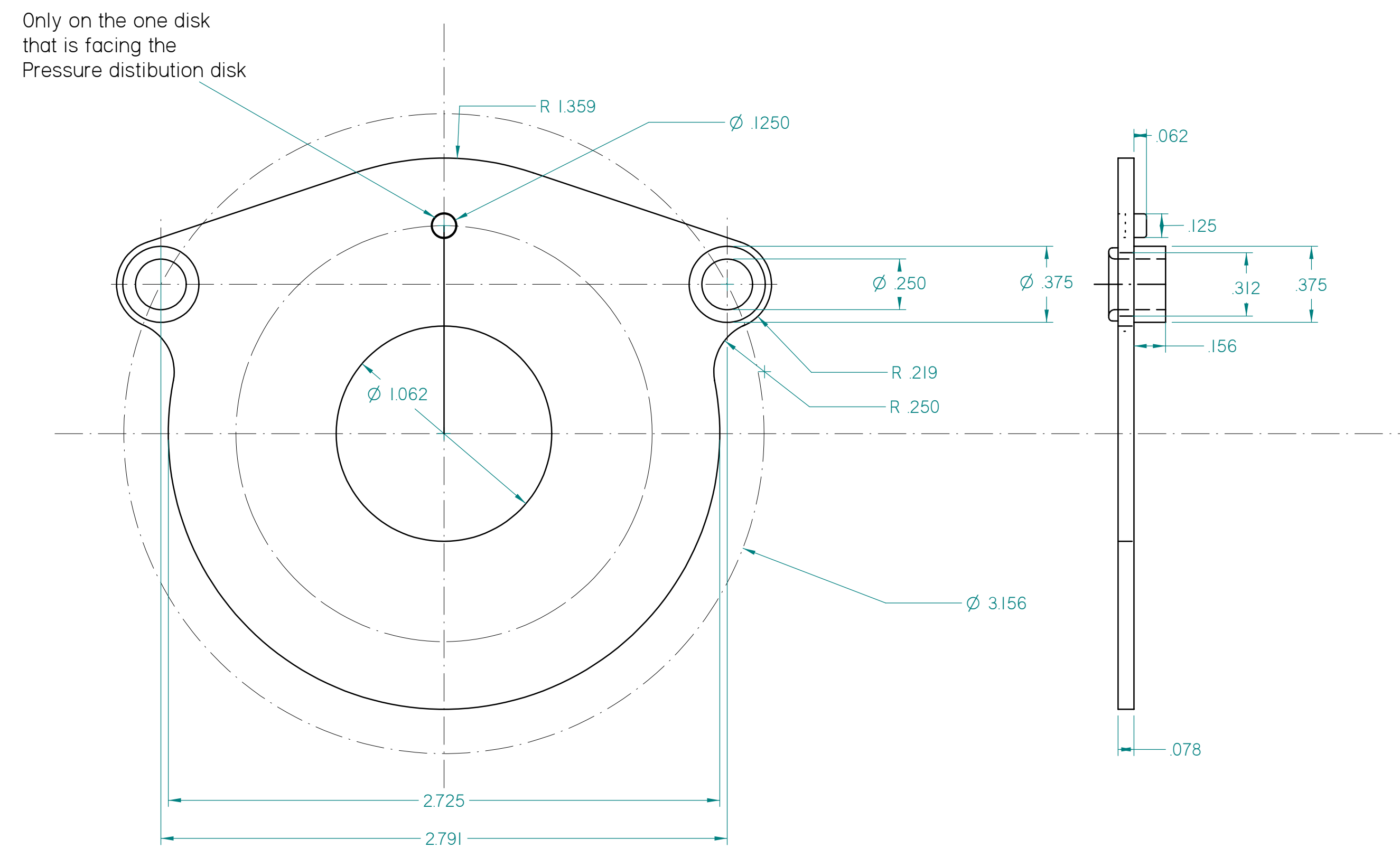
Wood disk



Rotating splined steel disk



Fixed steel disk



DRN	0.H	DATE	24.08.20	REV.	A				
WindTec		Tverrvegen 36 6020 Ålesund, Norway Phn: +47 91770653 Email: ola@windtec.no		PROJECT: ANDREX SHOCK ABSORBERS Type TE1, FRICTION DISKS				DIM:	SCALE:
Winding Technology as				DRAWING NO: 240820.OH				Inc.	1:1