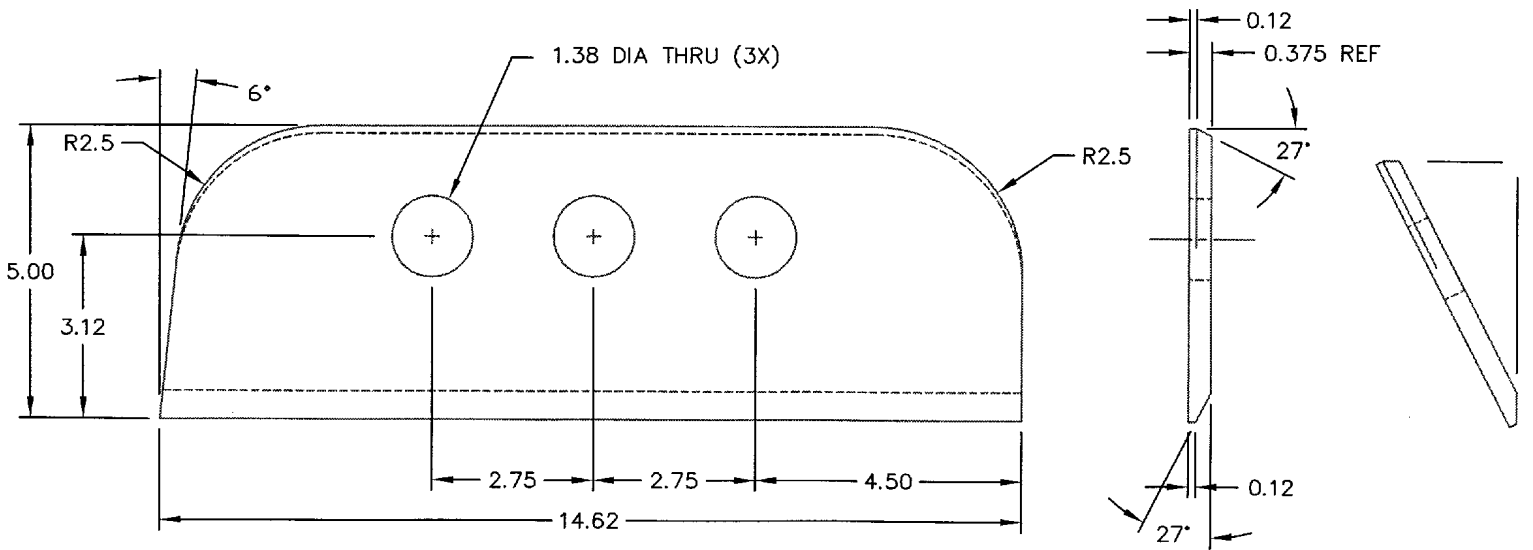


MGA SEAT RAMP BOARD. LH  
 MATERIAL: 3/8-IN PLYWOOD  
 5-PLY CCX GRADE OR BETTER



MGA SEAT RAMP BOARD. RH  
 MATERIAL: 3/8-IN PLYWOOD  
 5-PLY CCX GRADE OR BETTER