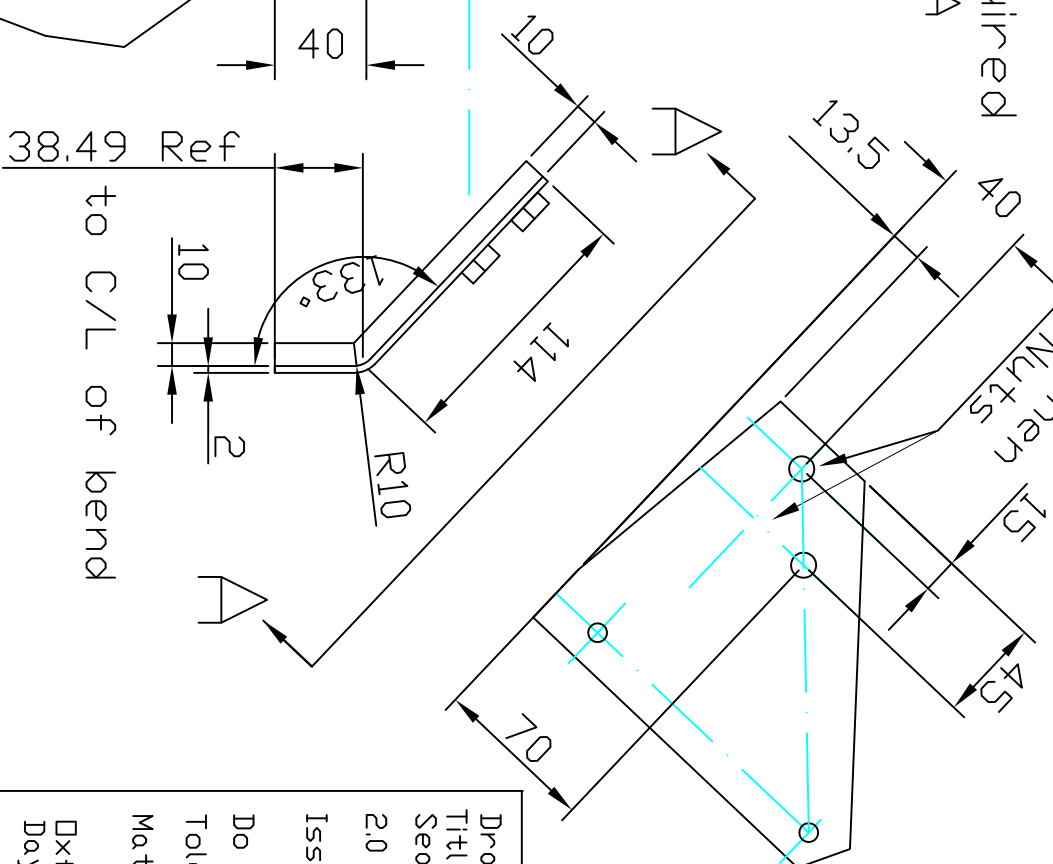
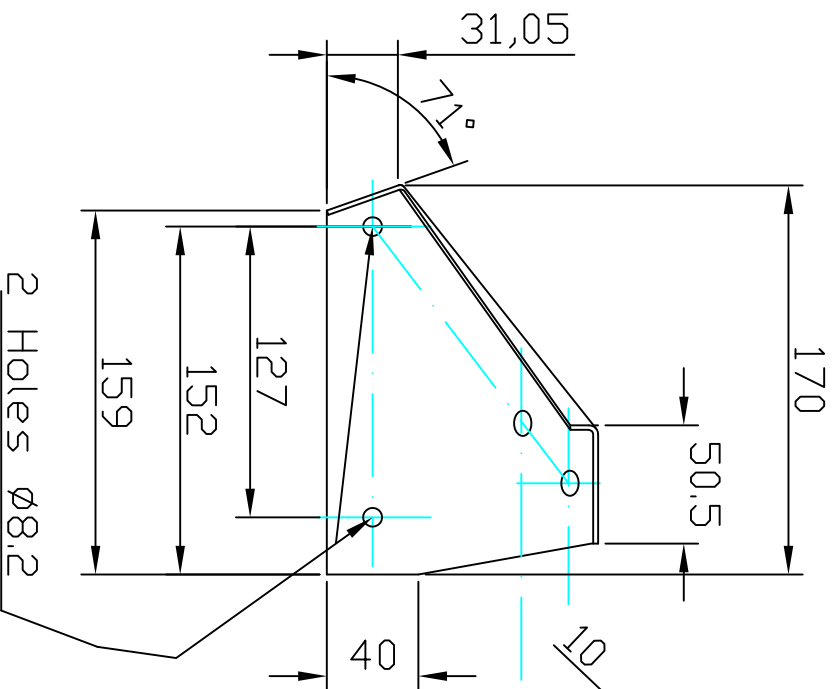


Pair of brackets required
Mirror image about A-A



Drill through ø11,5 then
Weld on 7/16 UNF Nuts

Drawn By: J.H. Francis
Title
Seat Belt Mounting Bracket
2.0 plate
Issue 9 29/03/2011
Do NOT SCALE
Tolerance +/- 0.2mm
Material: Mild Steel 2.0 mm TK
Oxford Tel:01865 251721
Daytime 01865 484441