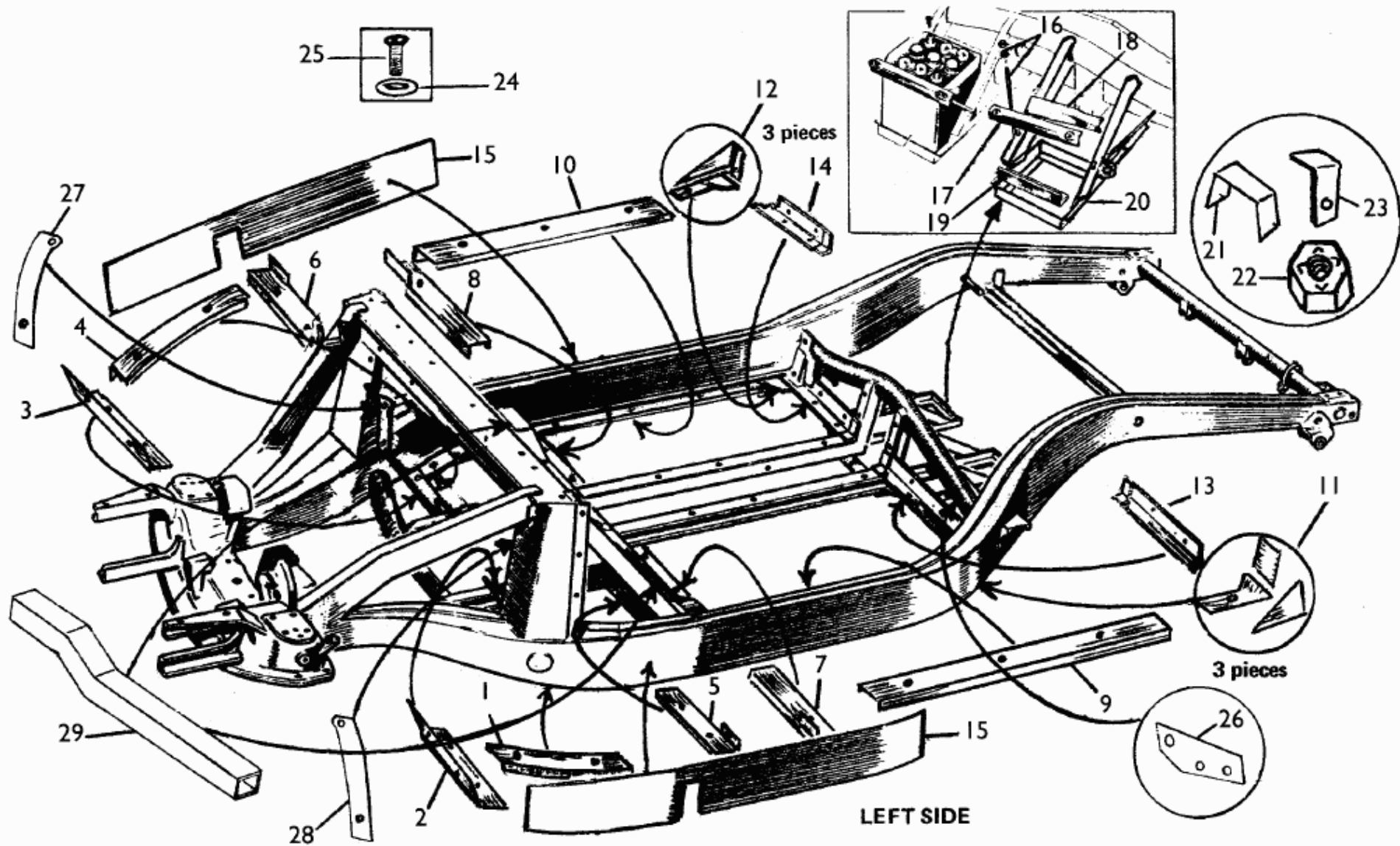


CHASSIS FRAME & SUNDRIES



CHASSIS FRAME & SUNDRIES

Ill. #	Part #	Description	Qty. per veh.	
1	CF1	CHANNEL—left of front floorboard. LH	1	<input type="checkbox"/>
2	CF2	CHANNEL—front of front floorboard. LH	1	<input type="checkbox"/>
3	CF3	DITTO—RH	1	<input type="checkbox"/>
4	CF4*	CHANNEL—right of front floorboard. RH	1	<input type="checkbox"/>
5	CF5	CHANNEL—rear of front floorboard. LH	1	<input type="checkbox"/>
6	CF6	DITTO—RH	1	<input type="checkbox"/>
7	CF11	CHANNEL—front of main floorboard. LH	1	<input type="checkbox"/>
8	CF12	DITTO—RH	1	<input type="checkbox"/>
9	CF13	CHANNEL—left of main floorboard. LH	1	<input type="checkbox"/>
10	CF14*	CHANNEL—right of main floorboard. RH	1	<input type="checkbox"/>
11	CF15	CHANNEL & REPAIR SECTIONS—rear corner, main floorboard. LH	1	<input type="checkbox"/>
12	CF16*	DITTO—RH	1	<input type="checkbox"/>
13	CF17	CHANNEL—rear of main floorboard. LH	1	<input type="checkbox"/>
14	CF18	DITTO—RH	1	<input type="checkbox"/>
15	CF19/20	REPAIR PLATE—weld over relative area inside and outside of frame	4	<input type="checkbox"/>
16	M16	"J" BOLT SET WITH NUTS—services two racks	1	<input type="checkbox"/>
17	M15	BRACE—to hold down battery	2	<input type="checkbox"/>
18	P22	PAD—for M15 brace—2pc. kit	1	<input type="checkbox"/>
19	P21	"L" PAD—battery to rack—4 pc. kit	1	<input type="checkbox"/>
20	M17	RACK—for batteries—LH & RH	2	<input type="checkbox"/>
21	M27	CLIP—hydraulic pipes to frame	10	<input type="checkbox"/>
22	M26	CLIP—wiring harness to frame	6	<input type="checkbox"/>
23	F10	WELD NUT—for floorboard channels (all channels includes weld nuts)	66/67	<input type="checkbox"/>
24	F16	COUNTERSINKING WASHER—for floorboards	66/67	<input type="checkbox"/>
25	F15	SCREW FOR FLOORBOARDS—1" & 1 1/4" lengths		<input type="checkbox"/>
	F15/16	SCREW & WASHER KIT—floorboards to frame. 134 pc. kit	1	<input type="checkbox"/>
26	M124	BRACKET—for attaching intermediate exhaust bracket and ground strap	1	<input type="checkbox"/>
27	CF7	CHANNEL—right upright toeboard RH	1	<input type="checkbox"/>
28	CF8	CHANNEL—left upright toeboard LH	1	<input type="checkbox"/>
29	CF21	BOX CROSSMEMBER—between front and rear floorboards, 24" long 2 pcs. will span chassis—LH or RH	2	<input type="checkbox"/>
	CF100	Kit includes 16 pcs—CF1 through CF18 plus one each CF19/20 (Note: CF7 & CF8 not included)	1	<input type="checkbox"/>

*M26 & M27 clips are welded to these channels

F10 weld nuts are attached to all CF channels

Where applicable, please specify LH or RH when ordering