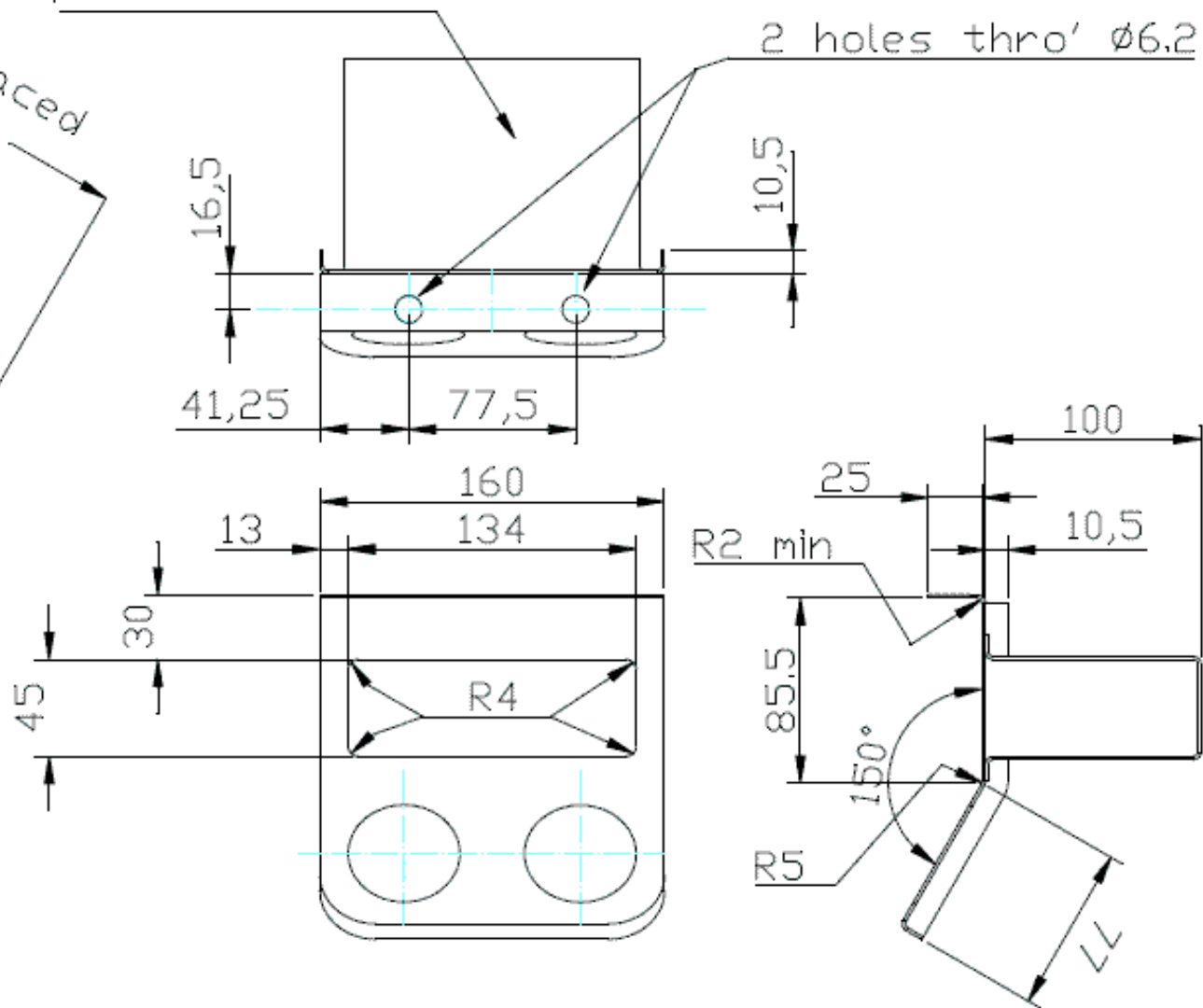


Partial view of front plate for angled section

This box should be flanged to allow bonding to front plate



Drawn By: J.H. Francis
 15/01/2011
 Instrument panel - Issue 2
 Oxford Tel:01865 251721
 Daytime 01865 484441
 Material: Mild Steel 1.0 thick
 OR Aluminium 1.5 thick
 Tolerance +/- 0.2mm