

# CONFIDENTIAL

MG / 296

## SERVICE MEMORANDUM

28 January 1960

### PISTON FAILURE

'MGA' Twin-Cam

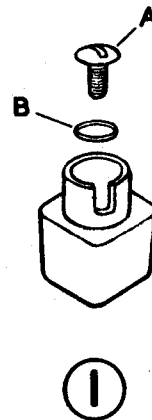
To prevent the possibility of piston failure, a new distributor, Part No. AEJ41, was introduced at Engine No. 2222. All engines subsequent to that No. will be fitted with the new distributor at the Factory. The following engines also were fitted with the new distributor:

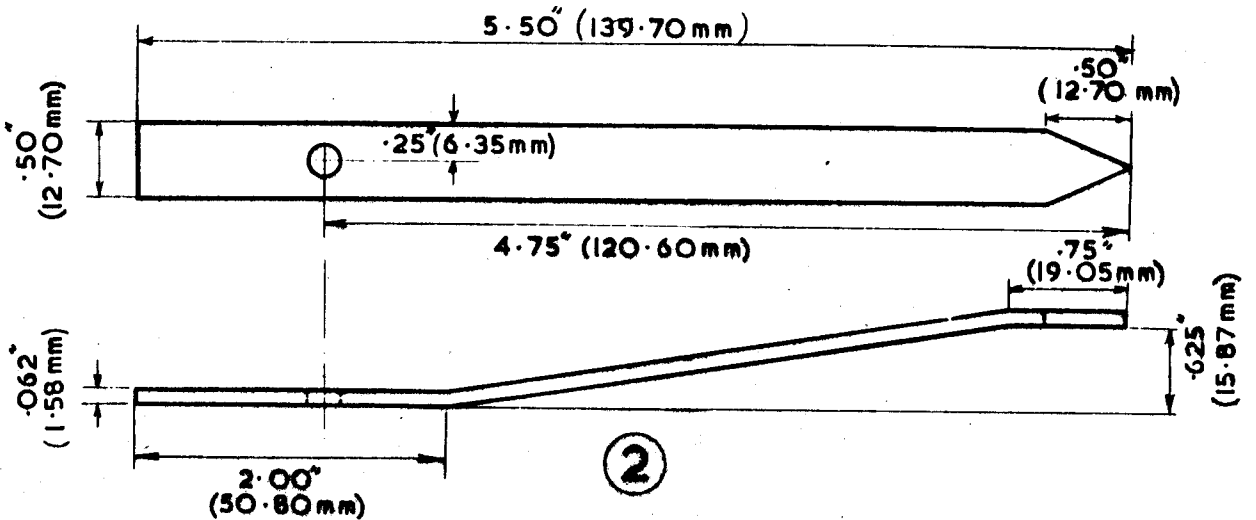
2028	2040	2200 to 2206 )	inclusive.
2029	2041	2209 to 2219 )	
2038	2188		

In the event of piston failure occurring with an engine prior to the above numbers, the new distributor should be fitted when the pistons are changed. As the new distributor does not have a vacuum advance mechanism, the vacuum pipe (carburettor to distributor) should be discarded and the tapping in the carburettor blanked-off with a plug (Part No. AUC1289).

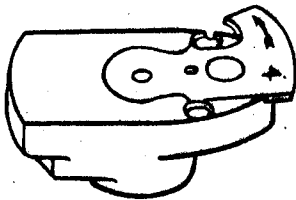
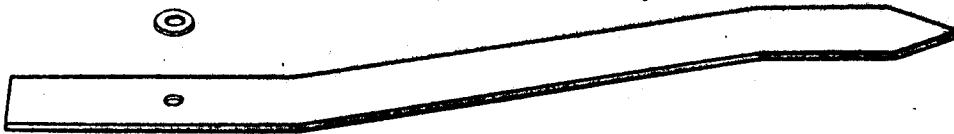
Before fitting the new distributor, it is most important to ensure that there is no excessive backlash in the distributor drive gears. This check should be carried out as follows:-

1. Remove header tank hose to gain access to distributor.
2. Remove distributor cap and rotor arm.
3. Lock up automatic advance mechanism of distributor by removing screw 'A' (Fig. 1) from centre spindle and refitting it with a washer 'B'. This washer should be made from a length of wire .030" (.76 mm.) diameter and  $1\frac{1}{8}$ " (28.57 mm.) long, bent to form a circle.





4. Make up a pointer (as shown in Fig. 2) and attach it to a disused rotor arm by drilling through centre of rotor and fitting nut & bolt (Fig. 3).
5. Fit rotor and pointer to distributor, ensuring that the rotor is really tight on the spindle (by wedging with a piece of paper, if necessary).



6. The pointer should now be turned so that it is over flange of camshaft cover (see Fig. 4) and then tightened on the rotor arm. The backlash in distributor drive gears is now indicated by the maximum movement of pointer. Turn pointer anti-clockwise and mark position of end of pointer on flange; then turn pointer clockwise and mark again (see 'A' Fig 4).

If distance between the two marks exceeds  $\frac{5}{16}$ " (8 mm.), distributor drive gears must be renewed before new distributor is fitted.



Careful attention must be paid to ignition timing (see Service Memorandum MG/288).

