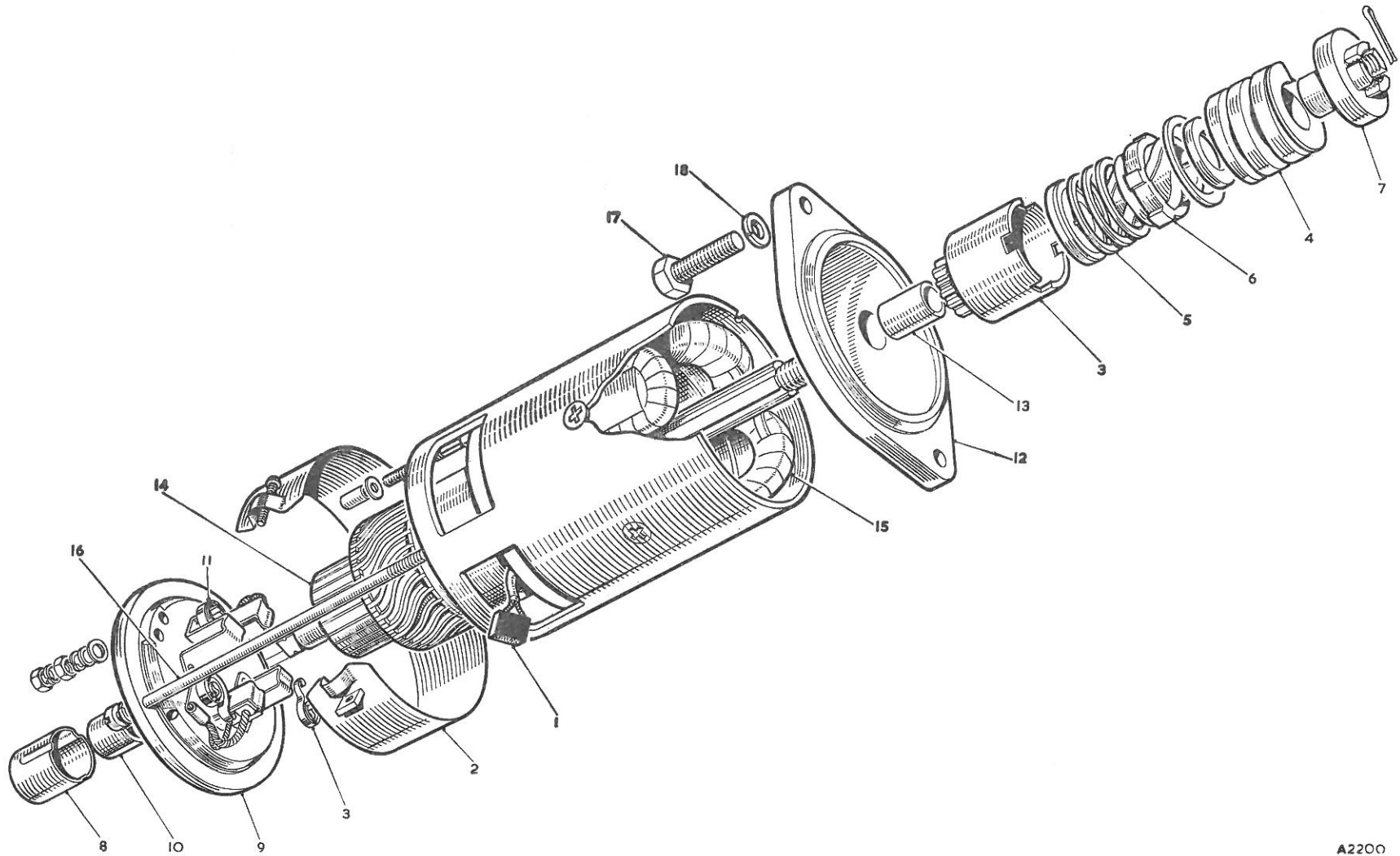


A2933

SERVICE PARTS LIST

THE MG Series MGA TWIN CAM

Item No.	DESCRIPTION	Commencing (C) 501		MODIFICATIONS		REMARKS
		Part Number	Illus. No.	Qty. per Veh.	New Part Number	
<b>ELECTRICAL EQUIPMENT</b>						
<b>BATTERY</b>						
1	Battery .....	N.S.P.	1	2		
2	Screw—terminal .....	2K8645	2	2		
3	Clamp—battery .....	AHH5166	3	2		
4	Packing—battery clamp .....	AHH5169	4	2		
5	Bolt—battery fixing (long) .....	AHH5167	5	2		
6	Bolt—battery fixing (short) .....	AHH5168	6	2		
7	Locknut—battery fixing bolt .....	FNZ204	7	8		
8	Pad—battery (rubber) .....	AHH5170	8	4		
9	Cover—battery .....	BHA4140	9	2		
10	Cap nut—cover .....	BHA4147	10	4		
11	Bolt—battery (long) .....	AHH5964	11	2		Optional extra
12	Bolt—battery (short) .....	AHH5963	12	2		
13	Nut for bolt .....	AJD8104Z	13	4		
14	Washer for nut .....	PWZ104		4		
<b>DYNAMO</b>						
15	Dynamo .....	AEJ12		1		
16	Nut—shaft .....	47H5215	14	1		
17	Washer for nut (spring) .....	LWZ207	15	1		
18	Bearing—drive end .....	97H626	16	1		
19	Bracket assembly—drive end .....	57H5083	17	1		
20	Key for pulley .....	WKN404	18	1		
21	Armature .....	7H5389	19	1		
22	Coils—field .....	7H5071	20	1 set		
23	Bracket assembly—commutator end .....	57H5082	21	1		
24	Bush for bracket .....	7H5390	22	1		
25	Oiler .....	17H5530	23	1		
26	Spring—brush tension .....	7H5031	24	1 set		
27	Brush .....	7H5028	25	1 set		
28	Terminal .....	17H5433	26	1		
29	Bolt—through fixing .....	17H5217	27	2		
30	Sundry parts .....	7H5376		1 set		

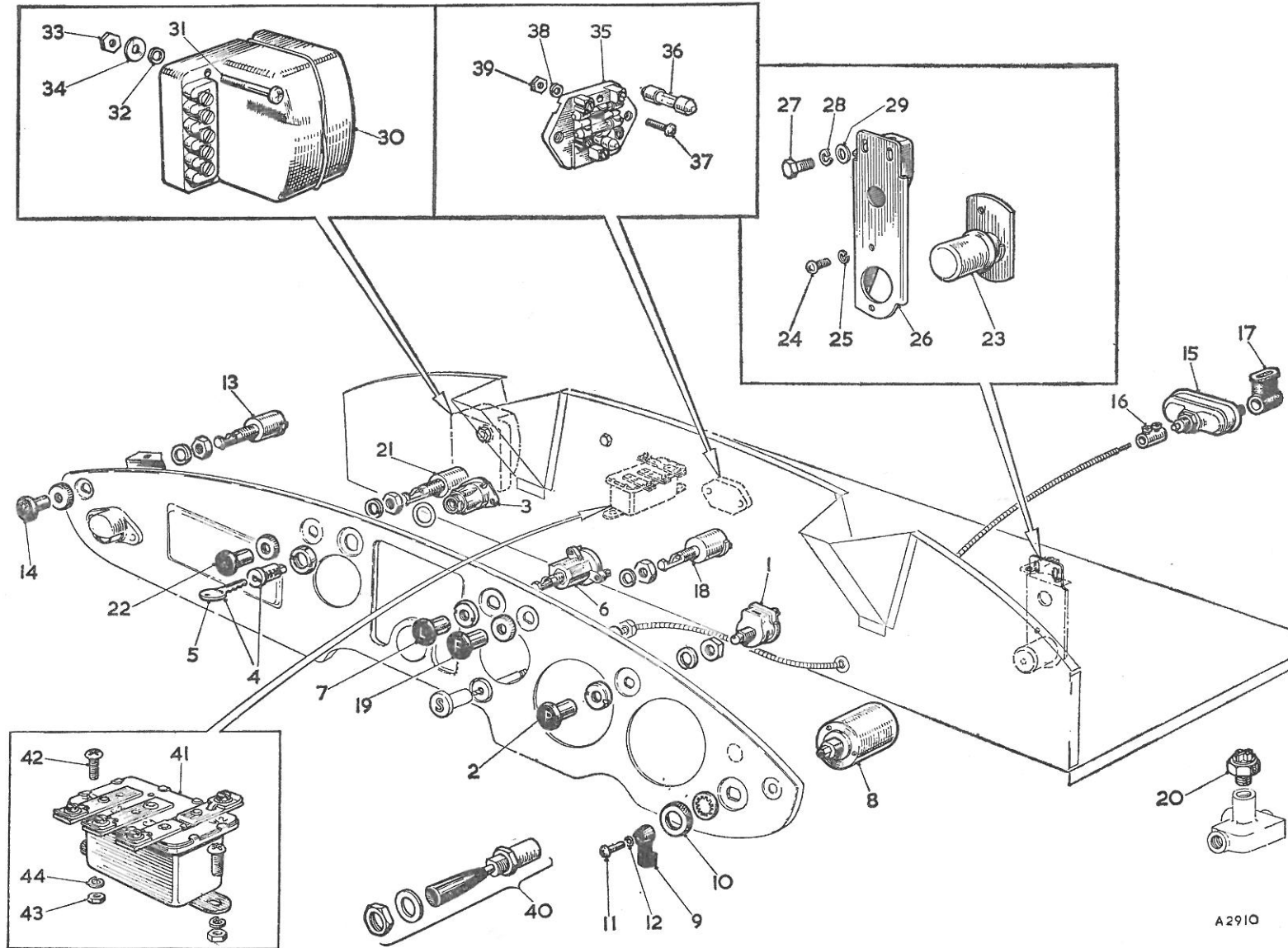


A2200

SERVICE PARTS LIST

THE MG Series MGA TWIN CAM

Item No.	DESCRIPTION	Commencing (C) 501		Qty. per Veh.	MODIFICATIONS		REMARKS
		Part Number	Illus. No.		New Part Number	Change Point	
	<b>STARTER</b>						
1	Starter .....	3H952		1			
2	Brush .....	7H5040	1	1 set			
3	Band—cover .....	7H5038	2	1			
4	Pinion and barrel .....	7H5046	3	1			
5	Circlip—pinion and sleeve retaining .....	47H5100		1			
6	Spring—pinion main .....	7H5045	4	1			
7	Spring—pinion return .....	7H5047	5	1			
8	Sleeve—screwed (with control nut) .....	7H5529	6	1			
9	Nut—shaft .....	47H5342	7	1			
10	Cap—shaft .....	7H5039	8	1			
11	Bracket assembly—commutator end .....	7H5041	9	1			
12	Bush—bearing .....	7H5042	10	1			
13	Spring set—brush tension (for bracket with split support post) .....	7H5043	11	1			] See service memo MG/347
14	Spring set—brush tension .....	47H5341		1			
15	Bracket assembly—drive end .....	7H5048	12	1			
16	Bush .....	7H5049	13	1			
17	Armature .....	7H5050	14	1			
18	Coil—field .....	7H5051	15	1 set			
19	Bolt—through fixing .....	17H5444	16	2			
20	Sundry parts .....	7H5156		1 set			
21	Screw—starter to engine .....	53K149	17	2			
22	Washer for screw (spring) .....	LWZ206	18	2			

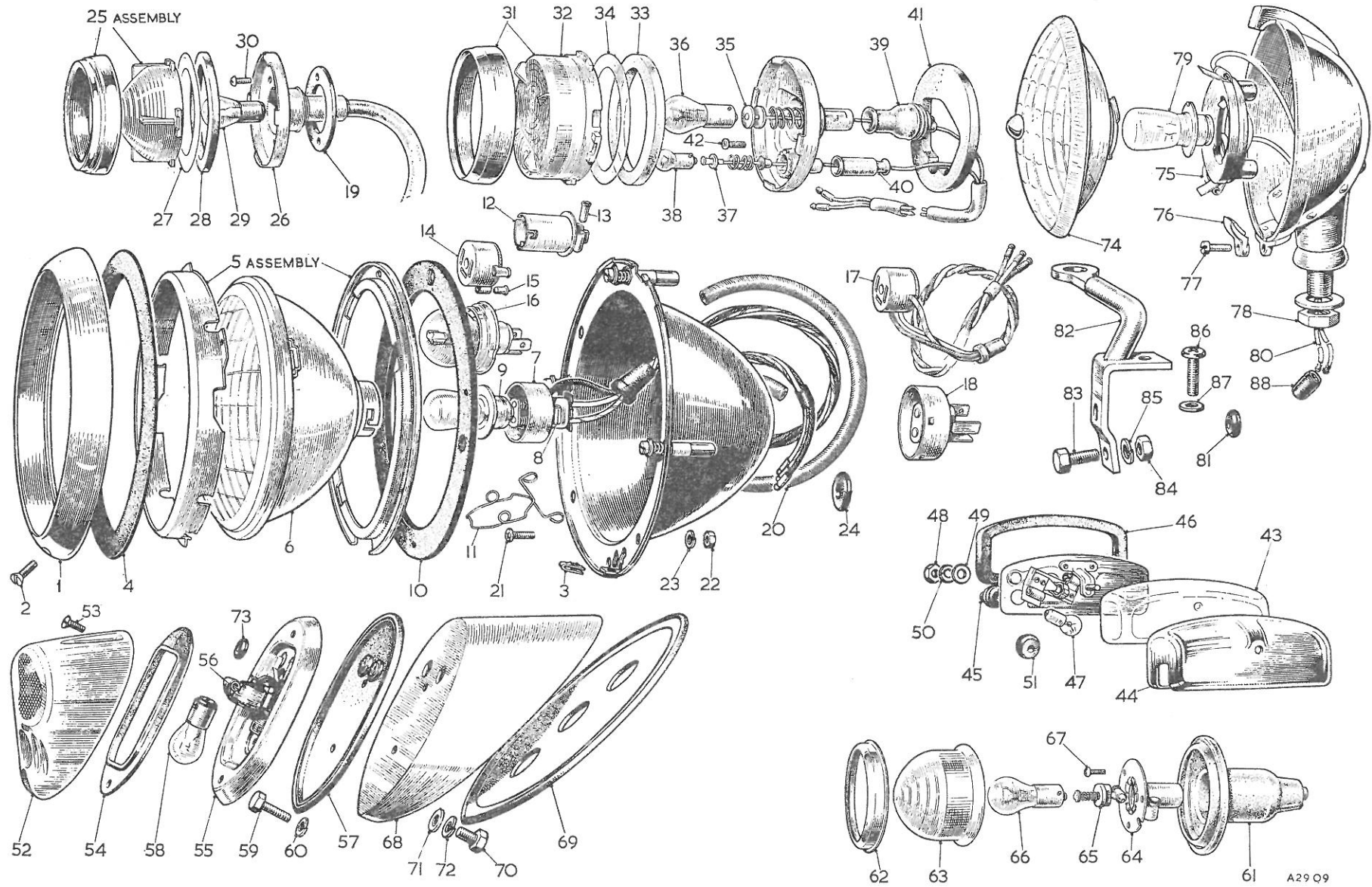


SERVICE PARTS LIST

THE MG Series MGA TWIN CAM

Item No.	DESCRIPTION	Commencing (C) 501		Qty. per Veh.	MODIFICATIONS		REMARKS
		Part Number	Illus. No.		New Part Number	Change Point	
	<b>SWITCHES</b>						
1	Switch—panel light	47H5081	1	1	57H5188		47H5188 not available use 57H5081
2	Knob for switch	AHH5368	2	1			
3	Switch—ignition	AHH5369	3	1			
4	Lock and key—ignition switch	7H9830	4	1			
5	Key	ANK4646	5	2			
6	Switch—head and sidelamp	3H3098	6	1			
7	Knob for switch	AHH5360	7	1			
8	Switch—flasher	AMK5607	8	1			
9	Lever for switch	27H5511	9	1			
10	Nut fixing flasher switch (knurled)	17H5485	10	1			
11	Screw fixing lever	17H5483	11	1			
12	Washer for screw (spring)	17H5484	12	1			
13	Switch—map reading lamp	27H5278	13	1			
14	Knob for switch	AHH5362	14	1			
15	Switch—starter	3H949	15	1			
16	Coupling—switch to control	3H950	16	1			
17	Bootee for terminal	BCA4326	17	2			
18	Switch—fog lamp	27H5278	18	1			Correction was 8G548
19	Knob for switch	AHH5366	19	1			
20	Switch—stop lamp	3H1894	20	1			
21	Switch—windscreen wiper	27H5278	21	1			
22	Knob for switch	AHH5364	22	1			
23	Switch—dipper	11G2007	23	1			
24	Screw—switch to bracket	AJD1243Z	24	2			
25	Washer for screw (spring)	LWZ203	25	2			
26	Bracket—dipper switch	AHH5780	26	1			
27	Screw—bracket to bulkhead	HZS0405	27	3			
28	Washer for screw (spring)	LWZ204	28	3			
29	Washer for screw (plain)	PWZ104	29	3			
30	Bracket—dipper switch	AHH5347	1	1	AHH5965		Com. (C) 2281
31	Screw—bracket to bulkhead	PMZ0308	1	1			
32	Screw—bracket to bulkhead	CMZ0308	2	2			Fin. (C) 2280
33	Washer for screw (cup)	7722	2	2			
34	Nut for screw	FNZ103	3	3			
35	Screw—bracket to goal post		3	3	PPZ0310		Com. (C) 2281
36	Washer for screw (spring)		3	3	LWZ203		







SERVICE PARTS LIST

THE MG Series MGA TWIN CAM

Item No.	DESCRIPTION	Commencing (C) 501		Qty. per Veh.	MODIFICATIONS		REMARKS
		Part Number	Illus. No.		New Part Number	Change Point	
	<b>LAMPS (ROAD)</b>						
1	<b>Headlamp</b> ..... (U.K.)	<b>47H5365</b>		<b>2</b>			
2	Rim assembly .....	17H5147	1	2			
3	Screw—rim fixing .....	AJA5081	2	2			
4	Nut for screw .....	27H5354	3	2			
5	Excluder—dust .....	3H2962	4	2			
6	Plate—light unit retaining .....	17H5205	5	2			
7	Light unit—left dip .....	7H5483	6	2			
8	Bulb holder .....	17H5306	7	2			
9	Sleeve—terminal .....	37H5271	8	6			
10	Bulb—left dip .....	BFS414	9	2			
11	Gasket—rubber .....	3H1031	10	2			Part No. change was 13H140
12	<b>Headlamp</b> ..... (Sweden)			<b>2</b>	<b>BMK391</b>		
13	Rim assembly .....		1	2	17H5147		
14	Screw—rim fixing .....		2	2	AJA5081		
15	Nut for screw .....		3	2	27H5354		
16	Excluder—dust .....		4	2	3H2962		
17	Plate—light unit retaining .....		5	2	17H5205	Com. (C) 2418	
18	Light unit .....			2	47H5528		
19	Spring—bulb retaining .....		11	2	47H5125		
20	Adaptor .....		14	2	47H5126		
21	Bulb—vertical dip .....			2	BFS410		
22	Gasket—rubber .....		10	2	3H1031		Part No. change was 13H138
23	<b>Headlamp</b> ..... (Europe)	<b>3H2520</b>		<b>2</b>			
24	<b>Headlamp (European lens)</b> .....			<b>2</b>	<b>BCA4302</b>	Fin. (C) 823 Com. (C) 824	Except France
25	Rim assembly .....	17H5147	1	2			
26	Screw—rim fixing .....	AJA5081	2	2			
27	Nut for screw .....	27H5354	3	2			
28	Excluder—dust .....	3H2962	4	2			
29	Plate—light unit retaining .....	17H5205	5	2			
30	Light unit—vertical dip .....	7H5485		2			
31	Light unit .....			2	47H5124	Fin. (C) 823 Com. (C) 824	
32	Spring—bulb retaining .....		11	2	47H5125		
33	Bulb holder .....	17H5306	7	2		Fin. (C) 823	
34	Sleeve—terminal .....	7H5582		6			
35	Adaptor .....		14	2	47H5126	Com. (C) 824	
36	Sleeve—terminal .....		8	6	37H5271		
37	Bulb—vertical dip .....	BFS370		2	BFS410		
38	Gasket—rubber .....	3H1031	10	2			

SERVICE PARTS LIST

THE MG Series MGA TWIN CAM

Item No.	DESCRIPTION	Commencing (C) 501		Qty. per Veh.	MODIFICATIONS		REMARKS
		Part Number	Illus. No.		New Part Number	Change Point	
1	Lamps (Road)— <i>continued</i>						
2	Headlamp (less bulb) (France)	3H2521		2			Part No. change was 17H5330
3	Headlamp (France)			2	BCA4303	Fin. (C) 1617 Com. (C) 1618	
4	Rim assembly	17H5147	1	2			
5	Screw—rim fixing	AJA5081	2	2			
6	Nut for screw	27H5354	3	2			
7	Excluder—dust	3H2962	4	2			
8	Plate—light unit retaining	17H5205	5	2			
9	Light unit	7H5486		2		Fin. (C) 1617 Com. (C) 1618	
10	Light unit			2	47H5124	] Fin. (C) 1617 Com. (C) 1618	
11	Spring—bulb retaining		11	2	47H5125		
12	Back—shell assembly	17H5146		2		] Fin. (C) 1617	
13	Bulb holder	7H5062	12	2			
14	Sleeve—terminal	7H5582	13	6		] Com. (C) 1618	
15	Adaptor		14	2	47H5126		
16	Sleeve—terminal		15	6	7H5582	] Com. (C) 1618	Part No. change was 13H139
17	Bulb—yellow		16	2	BFS411		
18	Gasket—rubber	3H1031	10	2			
19	Sleeve—sealing	27H5253		6			
20	Headlamp (Not U.K.)	17H5543		2			Except Europe
21	Rim assembly LHD	17H5147	1	2			
22	Screw—rim fixing	AJA5081	2	2			
23	Nut for screw	27H5354	3	2			
24	Excluder—dust	3H2962	4	2			
25	Plate—light unit retaining	17H5205	5	2			
26	Light unit—right dip	17H5375		2			
27	Adaptor	17H5244	17	2			
28	Adaptor—conversion	17H5546	18	2			
29	Bulb—right dip	BFS355		2			Part No. change was 3H1893
30	Gasket—rubber	3H1031	10	2			
31	Sleeve—sealing	27H5253		6			
32	Headlamp (U.S.A.)	17H5331		2	57H5010	] Com. (C) 2278	
33	Rim assembly	17H5147	1	2	47H5564		
34	Screw—rim fixing	AJA5081	2	2			
35	Nut for screw	27H5354	3	2			
36	Excluder—dust	3H2962	4	2		] Fin. (C) 2277 Com. (C) 2278	
37	Plate—light unit retaining	17H5205	5	2			
38	Adaptor	17H5244	17	2	47H5126		
	Gasket—body	3H1031	10	2	13H346		

SERVICE PARTS LIST

THE MG Series MGA TWIN CAM

Item No.	DESCRIPTION	Commencing (C) 501		Qty. per Veh.	MODIFICATIONS		REMARKS
		Part Number	Illus. No.		New Part Number	Change Point	
	<b>Lamps (Road)—continued</b>						
1	Tubing for headlamp leads (P.V.C.)						
2	Screw—headlamp to wing	ACH5701	20	2			
3	Nut for screw	PMZ0310	21	8			
4	Washer for nut (spring)	FNZ103	22	8			
5	Grommet—headlamp cables through front panel and radiator support	LWZ203	23	8			
6	Sidelamp assembly	RFR110	24	3			
		ACC5292		2	BMK55		ACC5292 not available use BMK55
7	Rim and glass	17H5428	25	2			
8	Body	AJH5151	26	2			
9	Ring—sliding (plastic)	17H5303	27	2			
10	Washer—seating (rubber)	17H5308	28	2		Fin. (C) 2192	
11	Washer—lamp to wing	17H5309	19	2			
12	Bulb	BFS380	29	2			
13	Screw fixing sidelamp	PMZ0206	30	6			Part No. change was 1F9026
14	Sidelamp assembly and flasher (amber and white)			2	BCA4311		
15	Sidelamp assembly and flasher (white)	LHD		2	BCA4342		
16	Lens and rim (amber and white)		31	2	47H5507		
17	Lens and rim (white)	LHD		2	47H5508		
18	Lens (amber and white)		32	2	47H5504		
19	Lens (white)	LHD		2	47H5506		
20	Gasket—lens seating		33	2	37H5460		
21	Ring—sliding		34	2	17H5307		
22	Interior—bulb holder (flasher)		35	2	37H5452		
23	Bulb—flasher		36	2	BFS382		Part No. change was 1F9012
24	Interior—bulb holder (sidelamp)		37	2	7H5536		
25	Bulb—sidelamp		38	2	BFS989		Part No. change was 2H4817
26	Grommet—cable entry (flasher)		39	2	37H5525		
27	Grommet—cable entry (sidelamp)		40	2	37H5294		
28	Gasket—lamp seating		41	2	47H5505		
29	Screw fixing sidelamp		42	4	PMZ0306		
30	Lamp—number plate	3H1813		1			
31	Window	7H5121	43	1			
32	Cover	7H5185	44	1			
33	Sundry parts	7H5123		1 set			
34	Grommet—cable	7H5164	45	1			
35	Joint—lamp base	7H5122	46	1			
36	Bulb	BFS989	47	1			Part No. change was 2H4817
37	Nut fixing lamp	AJD9012Z	48	2			
38	Washer for nut (plain)	PWZ103	49	2			
39	Washer for nut (spring)	LWZ203	50	2			
40	Grommet—cable	RFR104	51	1			

SERVICE PARTS LIST

THE MG Series MGA TWIN CAM

Item No.	DESCRIPTION	Commencing (C) 501		Qty. per Veh.	MODIFICATIONS		REMARKS
		Part Number	Illus. No.		New Part Number	Change Point	
	<b>Lamps (Road)—continued</b>						
1	Lamp—stop tail and reflex assembly	13H23		2			
2	Lens and reflex assembly	AJA5069	52	2			
3	Screw—lens fixing	37H5410	53	4			
4	Washer—lens seating (rubber)	AJA5071	54	2			
5	Rim and bulbholder assembly	AJA5072	55	2			
6	Sleeve—terminal	37H5271	56	6			
7	Washer—lamp seating (rubber)	AJA5073	57	2			
8	Bulb	BFS380	58	2			Part No. change was 1F9026
9	Screw—lamp to plinth	PMZ0308	59	4			
10	Washer for screw (spring)	LWZ203	60	4			
11	Lamp—flasher (rear) (amber)			2	2A9013		
12	Lamp—flasher (rear) (red)	LHD		2	2A9040		
13	Body (rubber)		61	2	37H5527		
14	Rim		62	2	7H5182		
15	Lens—(amber)		63	2	37H5520		
16	Lens—(red)	LHD		2	37H5531	Com. (C) 2193	
17	Bulb holder and plate assembly		64	2	37H5528		
18	Interior—bulbholder		65	2	AJH5100		AJH5100 not available use 7H5202 Part No. change was 1F9012
19	Bulb		66	2	BFS382		
20	Screw—lamp to plinth		67	6	PTZ604		
21	Nut for screw			6	PFS326		
22	Plinth—tail lamp—R/H	AHH5392	68	1	AHH5920		
23	Plinth—tail lamp—L/H	AHH5393		1	AHH5921		
24	Seal for plinth	AHH5505	69	2	AHH5918		
25	Screw—plinth to rear wing	HZS0405	70	4			
26	Washer for screw (plain)	PWZ204	71	4			
27	Washer for screw (spring)	LWZ204	72	4			
28	Grommet for cable	RFR104	73	2			

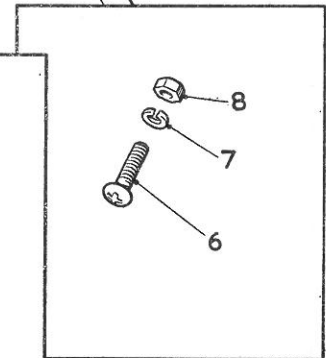
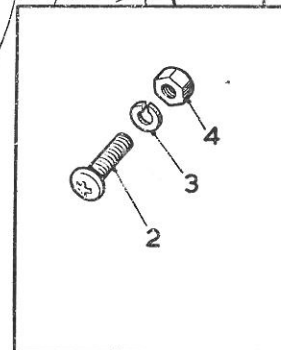
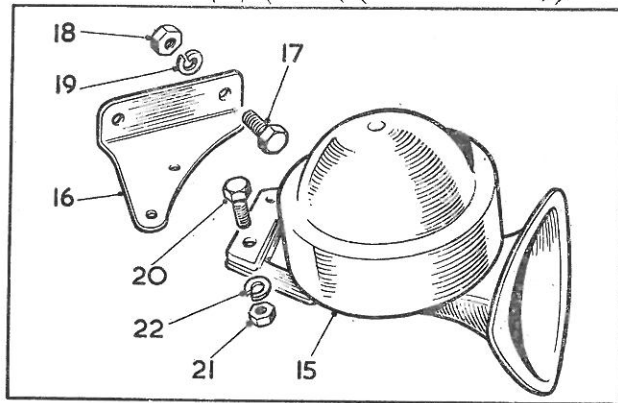
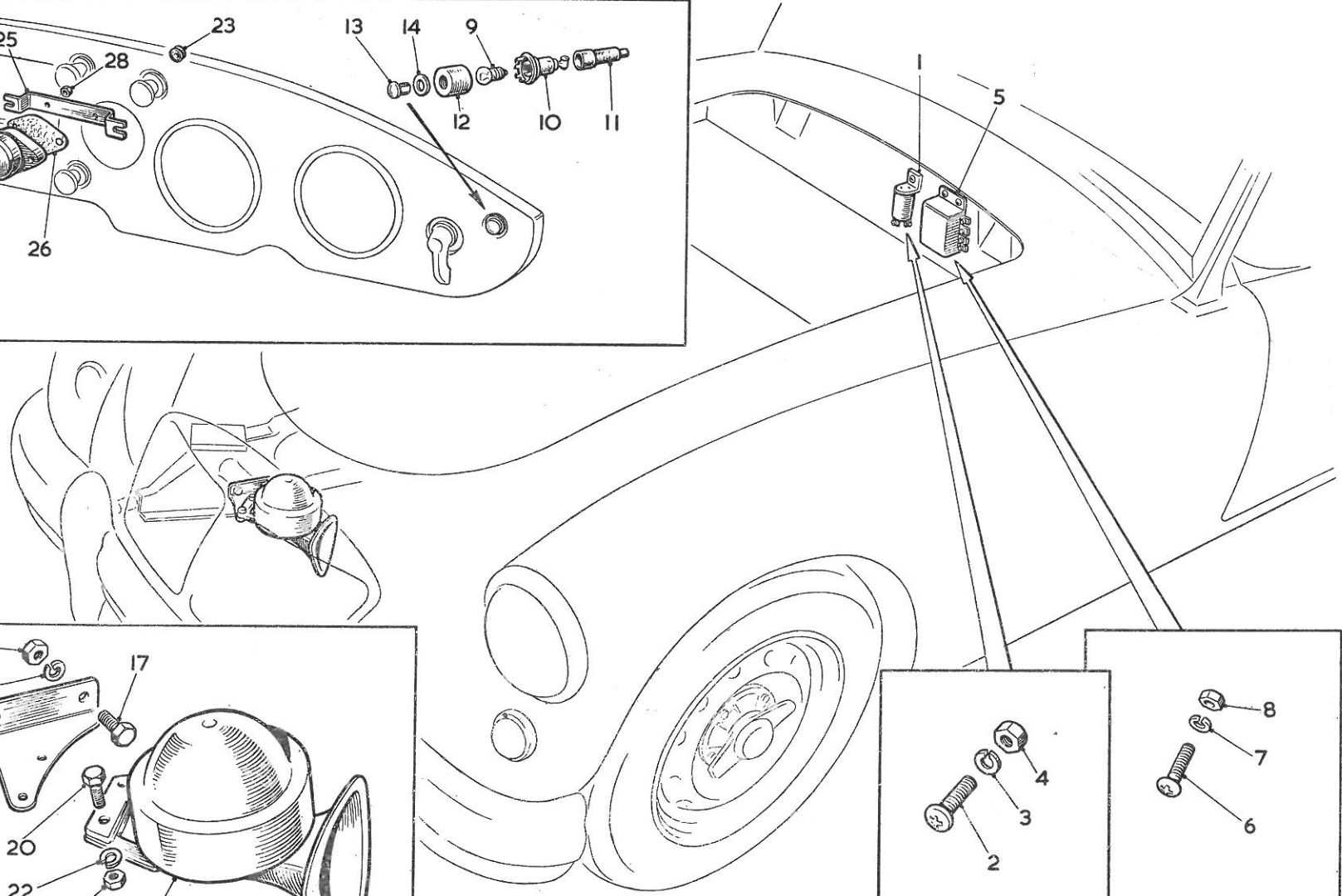
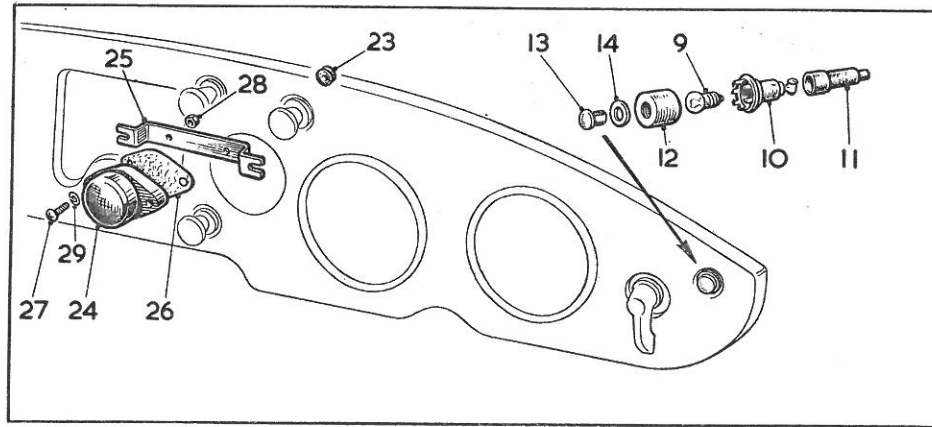
SERVICE PARTS LIST

THE MG Series MGA TWIN CAM

Item No.	DESCRIPTION	Commencing (C) 501		Qty. per Veh.	MODIFICATIONS		REMARKS
		Part Number	Illus. No.		New Part Number	Change Point	
	<b>Lamps—continued</b>						
1	<b>Fog-lamp</b>	<b>ADH785</b>		<b>2</b>			
2	Light unit	ACG5179	74	2			
3	Adaptor assembly	ACG5180	75	2			
4	Catch—rim	AJH5057	76	2			
5	Screw—catch	17H5400	77	2			
6	Nut—lamp spigot	17H5401	78	2			
7	Bulb	BFS323	79	2			Part No. change was 1F9034
8	Lead—fog-lamp (3' 9")	<b>RHD</b> AHH5454	80	2			
9	Lead—fog-lamp (1' 3")	AHH5541		2			
10	Grommet—fog lamp lead	RFR103	81	4			
11	Bracket—R/H fog-lamp	AHH5521	82	1			
12	Bracket—L/H fog-lamp	AHH5520		1			
13	Screw—bracket to bumper blade (lower)	HZS0506	83	2			
14	Nut for screw	FNZ105	84	2			
15	Washer for nut (spring)	LWZ205	85	2			
16	Screw—bracket to bumper blade (top)	PMP0518	86	2			
17	Washer for screw (plain)	PWP105	87	2			
18	Connector	2H2617	88	3			
19	Relay—fog-lamp (N. America)	BHA4075		1			
20	Screw—relay to bulkhead	PMZ0308		2			
21	Nut for screw	FNZ103		2			
22	Washer for nut (spring)	LWZ203		2			
23	Harness—fog-lamp relay (N. America)	AHH5758		1			
24	Reflector—rear	BHA4148		2			
25	Bracket—reflector—R/H	AHH5980		1			
26	Bracket—reflector—L/H	AHH5981		1			

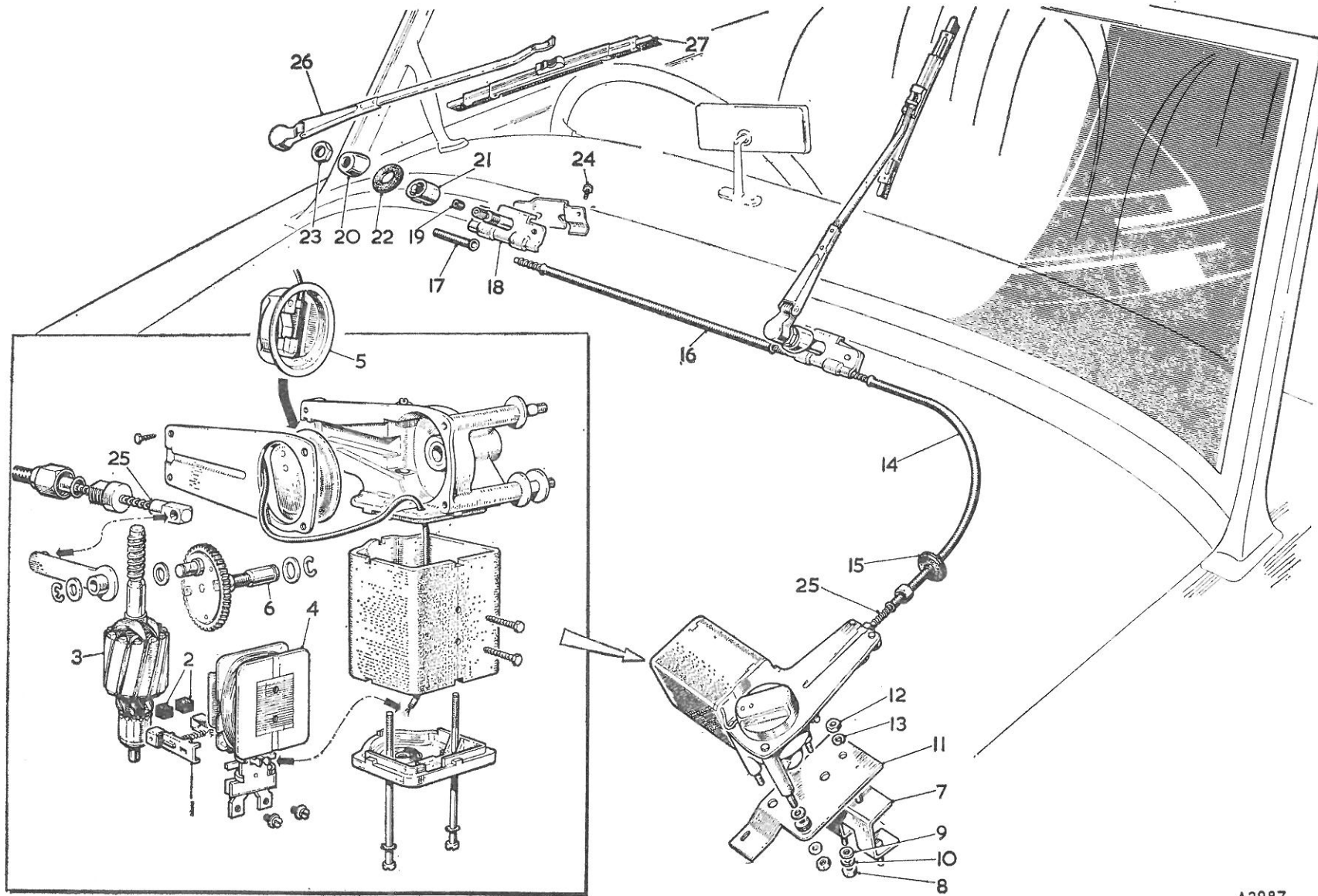
Optional extra.

For use with twin fog lamps



A3114

Item No.	DESCRIPTION	Commencing (C) 501		Qty. per Veh.	MODIFICATIONS		REMARKS
		Part Number	Illus. No.		New Part Number	Change Point	
	<b>FLASHER—HORN AND CONTROLS</b>						
1	Flasher unit .....	11G9093	1	1			
2	Screw—flasher unit to dash .....	PMZ0508	2	2			
3	Washer for screw (spring) .....	LWZ205	3	2			
4	Nut for screw .....	FNZ105	4	2			
5	<b>Relay unit—flasher</b>	<b>3H1454</b>	<b>5</b>	<b>1</b>			
6	Screw—relay unit to dash .....	PMZ0408	6	2	] Fin. (C) 2192		
7	Washer for screw (spring) .....	LWZ204	7	2			
8	Nut for screw .....	FNZ104	8	2			
9	<b>Warning light (flasher)</b>	<b>AHH5370</b>		<b>1</b>			
10	Bulb .....	BFS987	9	1			Part No. change was 2H4732
11	Bulb holder .....	37H5181	10	1			
12	Sleeve (rubber) .....	ACG5185	11	1			Correction was 3H999
13	Shade .....	AJG5047	12	1			
14	Window (green) .....	AJG5046	13	1			
15	Bezel (chrome) .....	184166	14	1			
16	<b>Horn—low note</b>	<b>1B9007</b>	<b>15</b>	<b>1</b>			
17	Bracket—horn .....	135448	16	1			
18	Screw—horn bracket to R/H front extension .....	HZS0505	17	2			
19	Nut for screw .....	FNZ105	18	2			
20	Washer for nut (spring) .....	LWZ205	19	2			
21	Screw—horn to bracket .....	HZS0407	20	2			
22	Nut for screw .....	FNZ104	21	2			
23	Washer for nut (spring) .....	LWZ204	22	2			
24	Grommet—horn .....	ADG1517	23	1			
25	<b>Push—horn</b>	<b>2H3383</b>	<b>24</b>	<b>1</b>			
26	Bracket—horn push .....	AHH5287	25	1			
27	Insulating piece—horn push .....	AHH5257	26	1			
28	Screw fixing horn push .....	PMZ0210	27	2			
29	Nut for screw .....	CNZ102	28	2			
30	Washer for nut (spring) .....	LWZ202	29	2			
31	<b>Horn—high note</b>	<b>1B9008</b>		<b>1</b>			
32	Bracket—L/H horn .....	135761		1			
33	Screw—horn bracket to L/H front extension .....	HZS0505		2			
34	Nut for screw .....	FNZ105		2			
35	Washer for nut (spring) .....	LWZ205		2			
36	Screw—horn to bracket .....	HZS0407		2			
37	Nut for screw .....	FNZ104		2			
38	Washer for nut (spring) .....	LWZ204		2			
39	Harness—horn .....	AHH5453		1			
40	Strap—horn harness .....	AHH5506		2			
41	Grommet—horn .....	ADG1517		1			
							Optional extra



A2987



SERVICE PARTS LIST

THE MG Series MGA TWIN CAM

Item No.	DESCRIPTION	Commencing (C) 501		Qty. per Veh.	MODIFICATIONS		REMARKS
		Part Number	Illus. No.		New Part Number	Change Point	
	<b>WINDSCREEN WIPER</b>						
1	Motor—wiper	37H5308		1			
2	Brush—gear	17H5396	1	1 set			
3	Brushes	7H5130	2	1 set			
4	Armature	17H5255	3	1			
5	Coils—field	17H5432	4	1 set			
6	Fixing parts	17H5431		1 set			
7	Switch—adjusting	17H5442	5	1			
8	Shaft and gear	37H5437	6	1			
9	Sundry parts	17H5441		1 set			
10	Bracket—wiper motor (lower)	AHH5507	7	1			
11	Nut—lower bracket to bulkhead	FNZ103	8	2			
12	Washer for nut (plain)	PWZ204	9	2			
13	Washer for nut (spring)	LWZ203	10	2			
14	Bracket—wiper motor (upper)	AHH5508	11	1			
15	Nut—upper bracket to lower bracket	FNZ104	12	1			
16	Washer for nut (spring)	LWZ204	13	1			
17	Casing—wheelbox to motor (outer)	AHH5410	14	1			
18	Grommet	8D5768	15	1			
19	Casing—wheelbox to wheelbox (outer)	AHH5411	16	1			
20	Casing—short end (outer)	14G3722	17	1			
21	Wheelbox assembly	14B5588		2	BHA4151	Com. (C) 2545	14B5588 not available use BHA4151
22	Spindle and gear	17H5388	18	2	AJH5079		17H5388 not available Use AJH5079 Part No. change was 17H5389
23	Tube for spindle (rubber)	ANK3458	19	2			
24	Bush (front)	ADB826	20	2			
25	Bush (rear)	AHH5414	21	2			
26	Washer (rubber)	ADC560	22	2			
27	Nut	185925	23	2			
28	Screw—cover	17H5390	24	4			
29	Crosshead and rack assembly	37H5169	25	1			
30	Arm—wiper	14B5596	26	2			Correction was 17H5513
31	Arm—wiper	14B5597		2			Correction was 17H5514
32	Blade—wiper	17H5512	27	2			

Item No.	DESCRIPTION	Commencing (C) 501		Qty. per Veh.	MODIFICATIONS		REMARKS	
		Part Number	Illus. No.		New Part Number	Change Point		
<b>CABLES AND CONNECTIONS</b>								
1	Harness—main forward	AHH5825		1	AHH5952	] Com. (C) 2193		
2	Harness—chassis	AHH5444		1	AHH5953			
3	Harness—panel	AHH5445		1	AHH5970			
4	Harness—tail lamp	AHH5446		1	AHH5954			
5	Cable—coil to distributor	AHH5826		1				
6	Cable—positive battery to earth	AHH5448		1				
7	Cable—negative battery to starter switch	AHH5449		1				
8	Link—positive battery to negative	AHH5450		1				
9	Cable—starter switch to starter	AHH5814		1				
10	Cable—petrol pump to earth	ADH2611		1				
11	Nut for petrol pump to earth cable	FNZ104		1				
12	Washer for nut (spring)	LWZ204		1				
13	Lead—flasher and headlamp (L/H)	37H5057		1	AHH5969	Com. (C) 2193		
14	Strip—engine to earth	AHH5452		1				
15	Clip—main harness to bulkhead	PCR1007		2				
16	Screw for clip	PMZ0310		2				
17	Nut for screw	FNZ103		2				
18	Washer for nut (spring)	LWZ203		2				
19	Clip—main harness to body bolt	PCR1011		1				
20	Clip—main harness to wing bolt	PCR0811		2				
21	Nut for wing bolt clip and earth wire	FNZ105		3				
22	Washer for nut (spring)	LWZ205		3				
23	Clip—headlamp cable to front panel	PCR0607		3				
24	Screw for clip	PMZ0308		3				
25	Nut for screw	FNZ103		3				
26	Washer for nut (spring)	LWZ203		3				
27	Clip—dynamo cable to starter cable (rubber)	ACH8979		1				
28	Clip negative cable to rear ramp screw	PCR0609		1				
29	Nut for screw	FNZ204		1				
30	Washer for nut (spring)	LWZ204		1				
31	Clip—tail lamp harness to sidemember	PCR0407		1				
32	Screw for clip	PMZ0306		2				
33	Nut for screw	FNZ103		2				
34	Washer for nut (spring)	LWZ203		2				
35	Clip—coil to L/H wing valance	PCR0709		1				
36	Sleeve—(rubber)	ACH8529		1				
37	Bolt for clip	HBZ0405		1				
38	Nut for bolt	FNZ104		1				
39	Washer for nut (spring)	LWZ204		1				
40	Screw—battery earth cable	HZS0504		1				
41	Nut for screw	FNZ105		1				
42	Washer for nut (spring)	LWZ205		1				
43	Clip—dip switch cable to goalpost	PCR0607	LHD	1				
44	Screw fix clip	PTZ806		1				