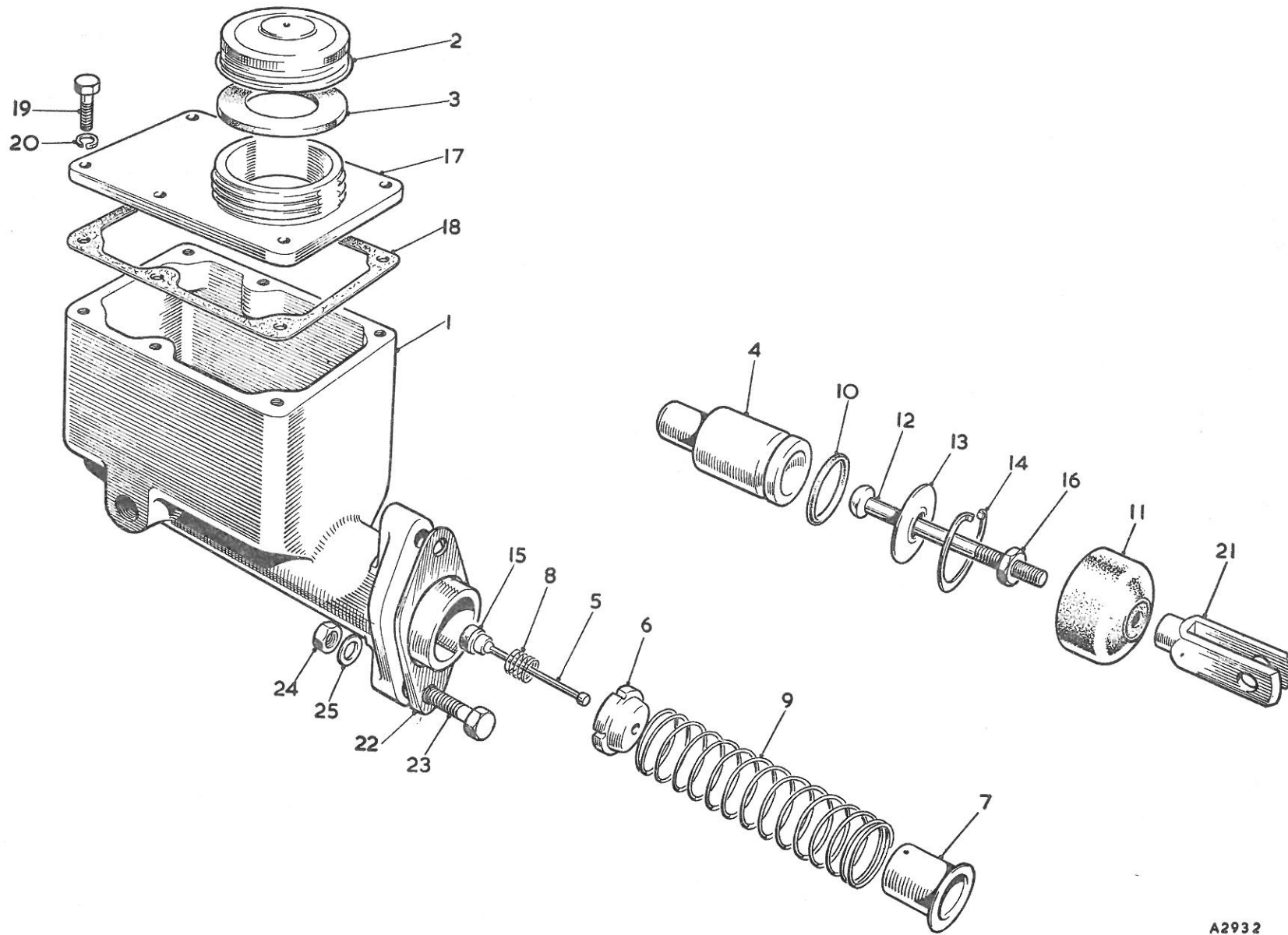


SERVICE PARTS LIST

THE MG Series MGA TWIN CAM

Item No.	DESCRIPTION	Commencing (C) 501		Qty. per Veh.	MODIFICATIONS		REMARKS
		Part Number	Illus. No.		New Part Number	Change Point	
	BRAKE CONTROLS						
1	Pedal—brake R.H.D.	AHH5693	1	1			
2	Pedal—brake L.H.D.	AHH5695	1	1			
3	Bush	185794	2	1			
4	Pad—pedal (rubber)	AHH5100	3	1			
5	Distance piece—pedal	185795	4	2			
6	Distance washer—pedal	AHH5728	5	1			
7	Bolt—pedal to bracket	HBZ0628	6	1			
8	Nut for bolt	FNZ106	7	1			
9	Washer for nut (spring)	LWZ206	8	1			
10	Distance tube—pedal stop	AHH5692	9	1			
11	Rod—distance tube	AHH5752	10	1			
12	Nut for rod	FNZ104	11	2			
13	Washer for nut (spring)	LWZ204	12	2			
14	Clevis pin—brake pedal	CLZ0515	13	1			
15	Washer for pin (plain)	PWZ105	14	1			
16	Spring—pedal pull-off	130154	15	1			
17	Fume excluder—pedal	AHH5689	16	1			
18	Cover plate—fume excluder	AHH5688	17	1			
19	Base plate assembly—box	AHH5687	18	1			
20	Screw—plate to cross bar	HPZ0508	19	2			Correction was HPZ0506
21	Washer for screw (spring)	LWZ205	20	2			
22	Screw—cover plate to base plate	HZS0506	21	2			
23	Nut for screw	FNZ105	22	2			
24	Washer for nut (spring)	LWZ205	23	2			
25	Support bracket—R/H	AHH5691	24	1			
26	Support bracket—L/H	AHH5690	25	1			
27	Screw—bracket to tapping plate	HZS0505	26	4			
28	Washer for screw (spring)	LWZ205	27	4			
29	Box—master cylinder	AHH5684	28	1	AHH5877	Com. (C) 997	
30	Screw—box to bulkhead	HZS0506	29	2			
31	Nut for screw	FNZ105	30	2			
32	Washer for nut (plain)	PWZ205	31	2			
33	Washer for nut (spring)	LWZ205	32	2			
34	Screw—box to bracket	HZS0506	33	6			
35	Nut for screw	FNZ105	34	6			
36	Washer for nut (spring)	LWZ205	35	6			
37	Reinforcement Piece—box	AHH5685	36	1	AHH5876	Com. (C) 997	
38	Blanking plate	AHH5753	37	1			
39	Seal—blanking plate (rubber)	AHH5754	38	1			
40	Screw fixing blanking plate	HPZ0508	39	2			
41	Screw fixing blanking plate	HZS0506	40	2			
42	Nut for screw	FNZ105	41	2			
43	Washer for screw (spring)	LWZ205	42	4			



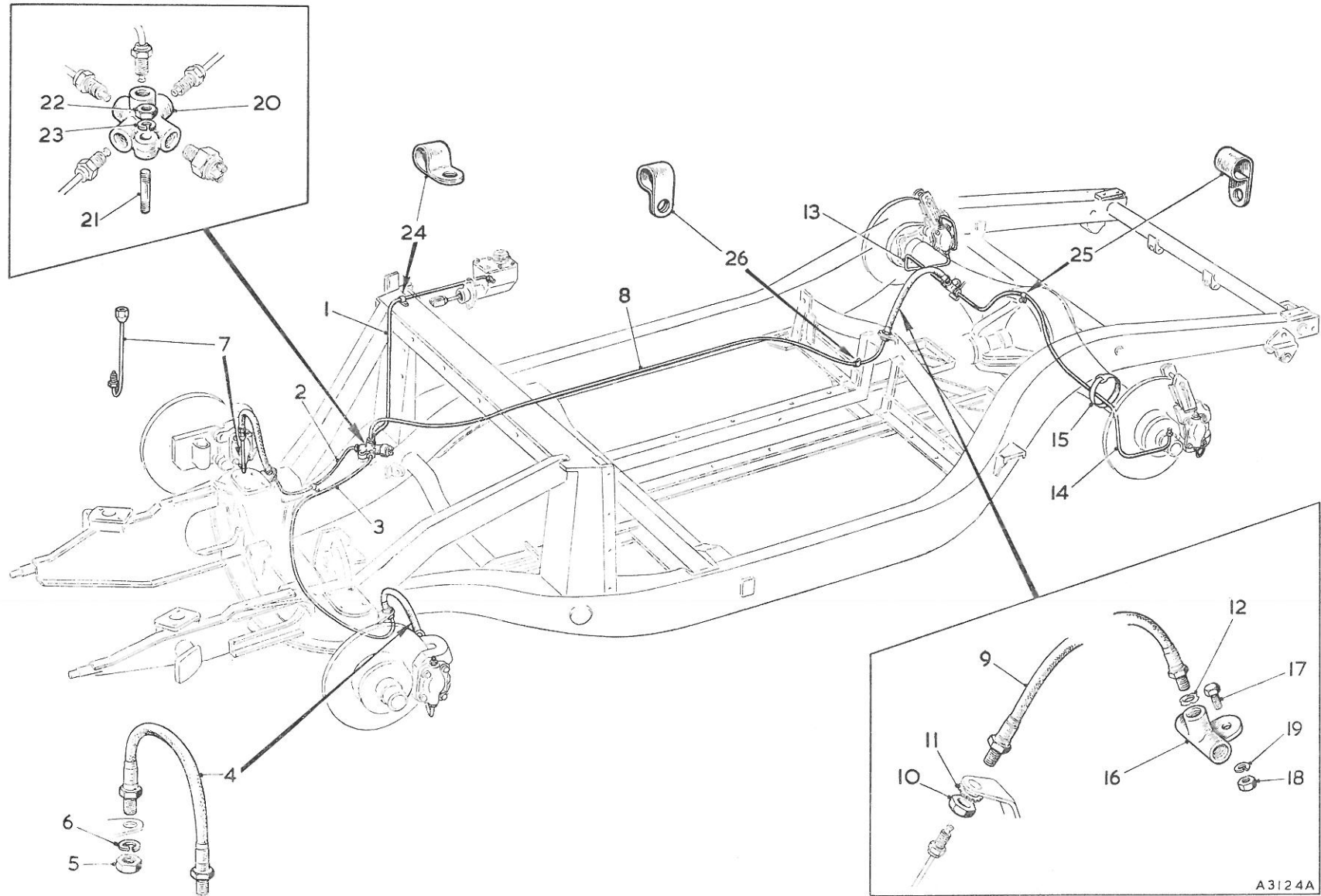
A2932

SERVICE PARTS LIST

THE MG Series MGA TWIN CAM

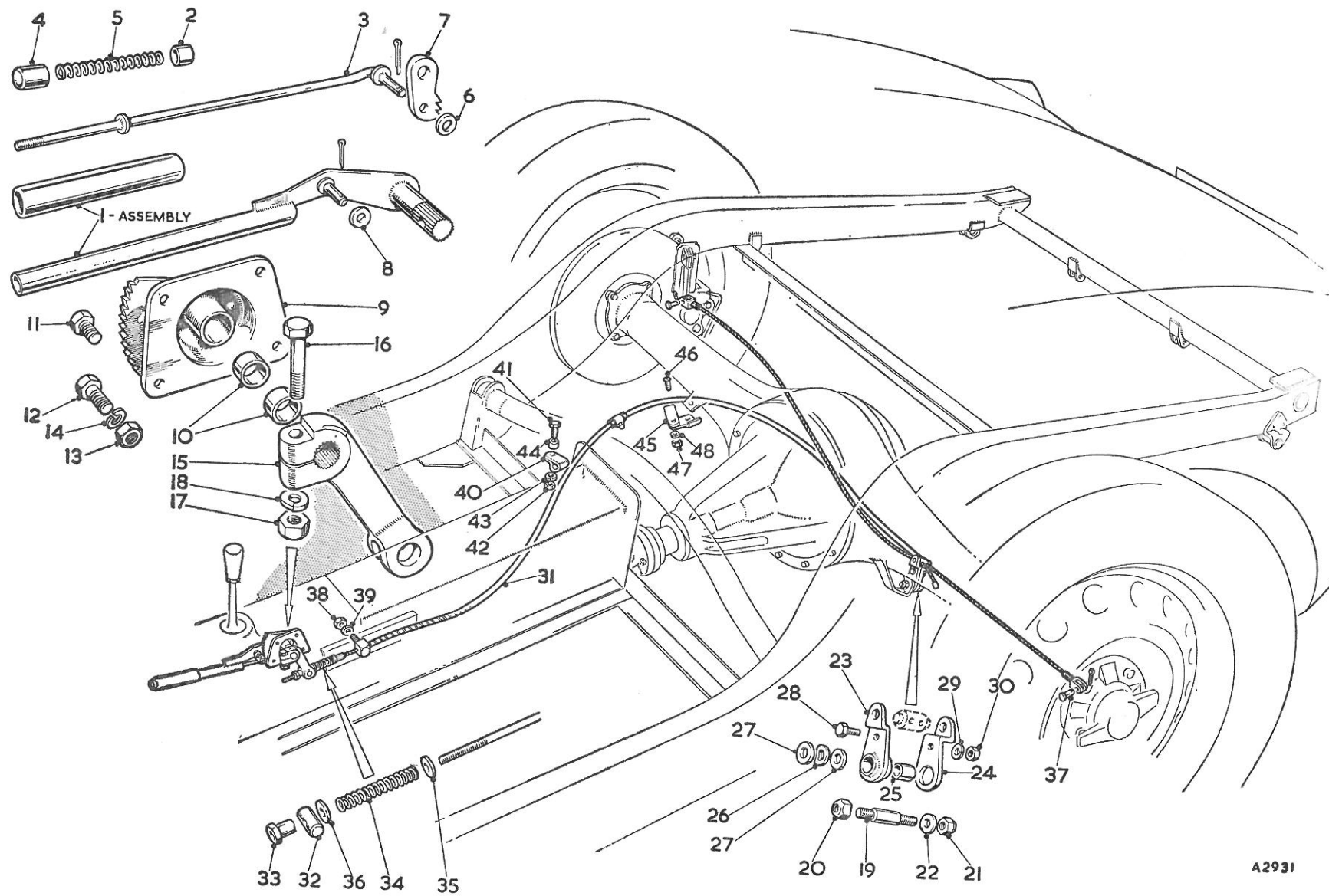
Item No.	DESCRIPTION	Commencing (C) 501		Qty. per Veh.	MODIFICATIONS		REMARKS
		Part Number	Illus. No.		New Part Number	Change Point	
	BRAKE MASTER CYLINDER						
1	Cylinder and supply tank assembly	BHA4071		1			
2	Body	N.S.P.	1	1			
3	Cap	7H8223	2	1			
4	Washer—cap	7H8224	3	1			
5	Piston	7H8225	4	1			
6	Valve	7H8226	5	1			
7	Spring support—rear end	7H8227	6	1			
8	Spring support—front end	7H8228	7	1			
9	Spring—valve	7H8229	8	1			
10	Spring—main	7H8230	9	1			
11	Seal—piston	7H8236	10	1			
12	Dust excluder	7H8237	11	1			
13	Push rod	7H8231	12	1			
14	Washer	7H8332	13	1			
15	Circlip	7H8233	14	1			
16	Rubber seal and bush	7H8238	15	1			
17	Locknut—push rod	FNZ205	16	1			
18	Cover	N.S.P.	17	1			
19	Gasket	7H8235	18	1			
20	Screw	AJD1021	19	6			
21	Washer (spring)	AJD7612	20	6			
22	Grease for rubber	7H8234		1			
23	Service kit for master cylinder	8G8196		1			
24	Seal—piston			1			8G8196 not available use 8G8496
25	Dust excluder			1			
26	Rubber seal and bush			1			
27	Grease for rubber			1			
28	Service kit for master cylinder			1			
29	Piston			1	8G8496		
30	Valve			1			
31	Spring support—rear end			1			
32	Spring support—front end			1			
33	Spring—main			1			
34	Spring—valve			1			
35	Seal—piston			1			
36	Circlip			1			
37	Seal—static			1			
38	Seal—recuperating			1			
39	Grease for rubber			1			
40	Identification tag			1			
41	Fork end			1			
42	Taper packing—master cylinder	FEZ105	21	1			
43	Bolt fixing master cylinder	AHH5874	22	2			
44	Nut for bolt	HZS0513	23	2	HZS0510	Fin. (C) 996 Com. (C) 997	
45	Washer for nut (plain)	LNZ205	24	2			
		PWZ105	25	2			

This kit will convert BHA4071 to BHA4157 standard



A3124A

Item No.	DESCRIPTION	Commencing (C) 501		Qty. per Veh.	MODIFICATIONS		REMARKS
		Part Number	Illus. No.		New Part Number	Change Point	
	HYDRAULIC PIPES AND FITTINGS						
1	Pipe—master cylinder to 5 way connection (29") RHD	AHH5769	1	1			
2	Pipe—master cylinder to 5 way connection (49½") LHD	AHH5770	1	1			
3	Pipe—5 way connection to R/H front hose (17¼")	AHH5763	2	1			
4	Pipe—5 way connection to L/H front hose (43¼")	AHH5764	3	1			
5	Hose—front	AHH5773	4	2			
6	Locknut—hose	FNZ206	5	4			
7	Washer for locknut (spring)	LWZ206	6	4			
8	Pipe assembly—front hose to calliper unit (6")	AHH5765	7	2			
9	Pipe—5 way connection to rear hose (79½")	AHH5768	8	1			
10	Hose—rear	AHH5774	9	1			
11	Locknut—hose	2K8686	10	1			
12	Washer for locknut (shakeproof)	LWZ510	11	1			
13	Gasket—rear hose to 3 way	3H2287	12	1			
14	Pipe—3 way connection to rear brake R/H (17¼")	AHH5766	13	1			
15	Pipe—3 way connection to rear brake L/H (45")	AHH5767	14	1			
16	Strap—brake pipe to axle	ACH8650	15	1			
17	3 way connection	AHH5772	16	1			
18	Screw—3 way connection and cable clip to axle	HZS0506	17	1			
19	Nut for screw	FNZ105	18	1			
20	Washer for nut (spring)	LWZ205	19	1			
21	5 way connection	AHH5771	20	1			
22	Stud—5 way connection	AHH5875	21	1			
23	Nut for stud	FNZ104	22	1			
24	Washer for nut (spring)	LWZ204	23	1			
25	Clip—brake pipe to master cylinder base plate RHD	PCR0311	24	1			
26	Clip—brake pipe to bulkhead LHD	PCR0311	25	2			
27	Clip—brake pipe to differential case bolt	PCR0311	25	1			
28	Clip—brake pipe to battery carrier	PCR0307	26	1			



A2931

SERVICE PARTS LIST

THE MG Series MGA TWIN CAM

Item No.	DESCRIPTION	Commencing (C) 501		Qty. per Veh.	MODIFICATIONS		REMARKS
		Part Number	Illus. No.		New Part Number	Change Point	
	HANDBRAKE MECHANISM						
1	Hand brake assembly	AHH5229		1			
2	Handle plate and shaft assembly	AHH5230		1			
3	Bush—handle plate and shaft	81756		2			
4	Rod assembly—pawl	AHH5233		3			
5	Knob—pawl rod	ACC8956		4			
6	Spring—pawl rod	80641		5			
7	Washer (plain)	PWZ103		6			
8	Pawl	AHH5238		7			
9	Washer (plain)	PWZ105		8			
10	Fulcrum and ratchet assembly	AHH5232		9			
11	Bush	AHH5242		10			
12	Screw—hand brake to gearbox cover	HZS0504		11			
13	Screw—hand brake to gearbox cover	HZS0505		12			
14	Nut for screw	FNZ105		13			
15	Washer for screw (spring)	LWZ205		14			
16	Lever—handbrake operating	AHH5244		15			
17	Bolt for operating lever	HBZ0510		16			
18	Nut for bolt	FNZ105		17			
19	Washer for bolt (spring)	LWZ205		18			
20	Fulcrum—handbrake compensator	AHH5025		19			
21	Nut for fulcrum to axle	LNZ106		20			
22	Nut for compensator to fulcrum	LNZ105		21			
23	Washer for compensator to fulcrum (plain)	PWZ205		22			
24	Lever—inner compensating	AHH5203		23			
25	Lever—outer compensating	ACH5101		24			
26	Bush—compensating lever	AHH5225		25			
27	Washer for compensating lever (anti-rattle)	AHH5224		26			
28	Washer for compensating lever (plain)	PWZ107		27			
29	Screw for compensating lever	HZS0405		28			
30	Washer for screw (spring)	LWZ204		29			
31	Nut for screw	FNZ104		30			
32	Cable—hand brake	AHH5761		31			
33	Trunnion—cable	AHH5322		32			
34	Nut—adjuster	ACH5104		33			
35	Spring—cable	ACH8508		34			
36	Washer for cable spring—rear (plain)	PWZ104		35			
37	Washer for cable spring—front (plain)	PWZ204		36			
38	Clevis pin	ACB8715		37			

