

SERVICE PARTS LIST

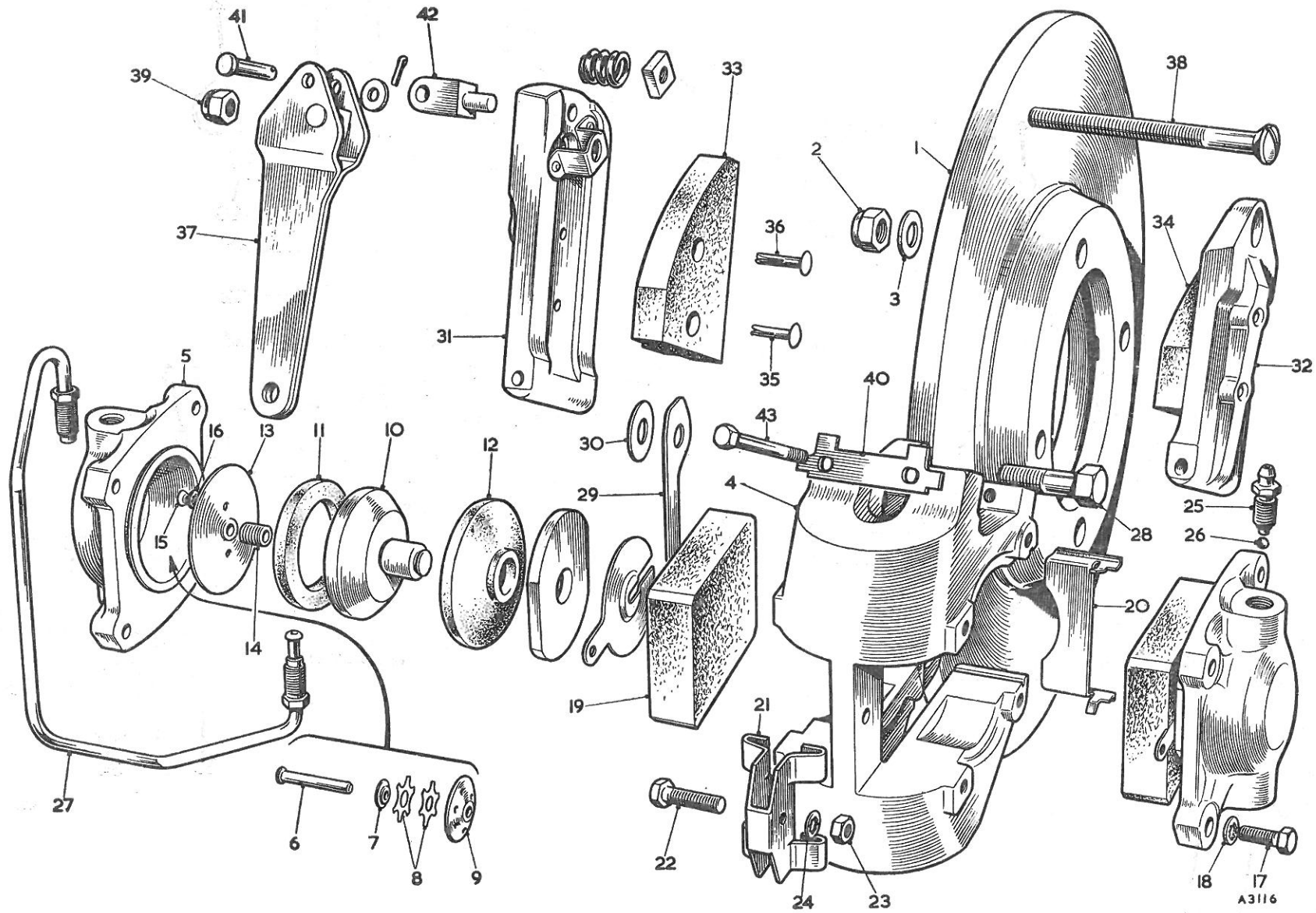
THE MG Series MGA TWIN CAM

Item No.	DESCRIPTION	Commencing (C) 501		Qty. per Veh.	MODIFICATIONS		REMARKS
		Part Number	Illus. No.		New Part Number	Change Point	
REAR AXLE AND SUSPENSION							
REAR AXLE							
1	Axle assembly	N.S.P.		1			
2	Case assembly	ATB7288		1			
3	Nut—bearing retaining (RHT)	1G7448	1	1			
4	Nut—bearing retaining (LHT)	1G7582	1	1			
5	Stud for gear carrier	2A7226	3	10			
6	Nut for rebound spindle	FNZ106	4	2			
7	Washer for bearing retaining nut	1G7584	5	2			
8	Nut—gear carrier to axle case	FNZ105	6	10			
9	Washer for nut	LWZ305	7	10			
10	Plug—drain	6K499	8	1			
11	Plug—filler	6K499	9	1			
12	Breather assembly	1G3668	10	1	IH3364		1G3668 not available use IH3364
13	Joint—gear carrier to axle case	1G7465	11	1			
14	Differential assembly	ATB7189		1	ATB7283	Com. (C) 2371	
15	Carrier assembly	ATB7181	12	1			
16	Stud for bearing cap	51K886	13	4			
17	Washer for bearing cap (plain)	ATC7084	14	4			
18	Washer for bearing cap (spring)	LWN307	15	4			
19	Nut for stud	FNN107	16	4			
20	Bearing—differential	2K8938	17	2] Alternatives
21	Bearing—differential	2K6544	17	2			
22	Washer—bearing parking (.002" [.050 mm])	2K7993	18	A/R			
23	Washer—bearing packing (.003" [.076 mm])	ATB7239		A/R			
24	Washer—bearing packing (.004" [.101 mm])	2K7435		A/R			
25	Washer—bearing packing (.006" [.152 mm])	6K503		A/R			
26	Washer—bearing packing (.010" [.254 mm])	1G7600		A/R			
27	Cage—differential	ATB7062	19	1			
28	Wheel—differential	ATB7122	20	2	ATB7282	Com. (C) 2371	
29	Washer for gear (thrust)	ATB7072	21	2			
30	Pinion—differential	ATB7123	22	2			
31	Washer—pinion (thrust)	1G7445	23	2			
32	Pin for pinion	1G7444	24	1			
33	Peg for pinion pin	6K842	25	1			
34	Crown wheel and pinion	ATB7156	26	1			
35	Crown wheel and pinion 10/43	BTB323	27	1			Alternative to ATB7156
36	Bolt—crown wheel to cage	ATA7043	28	8			

SERVICE PARTS LIST

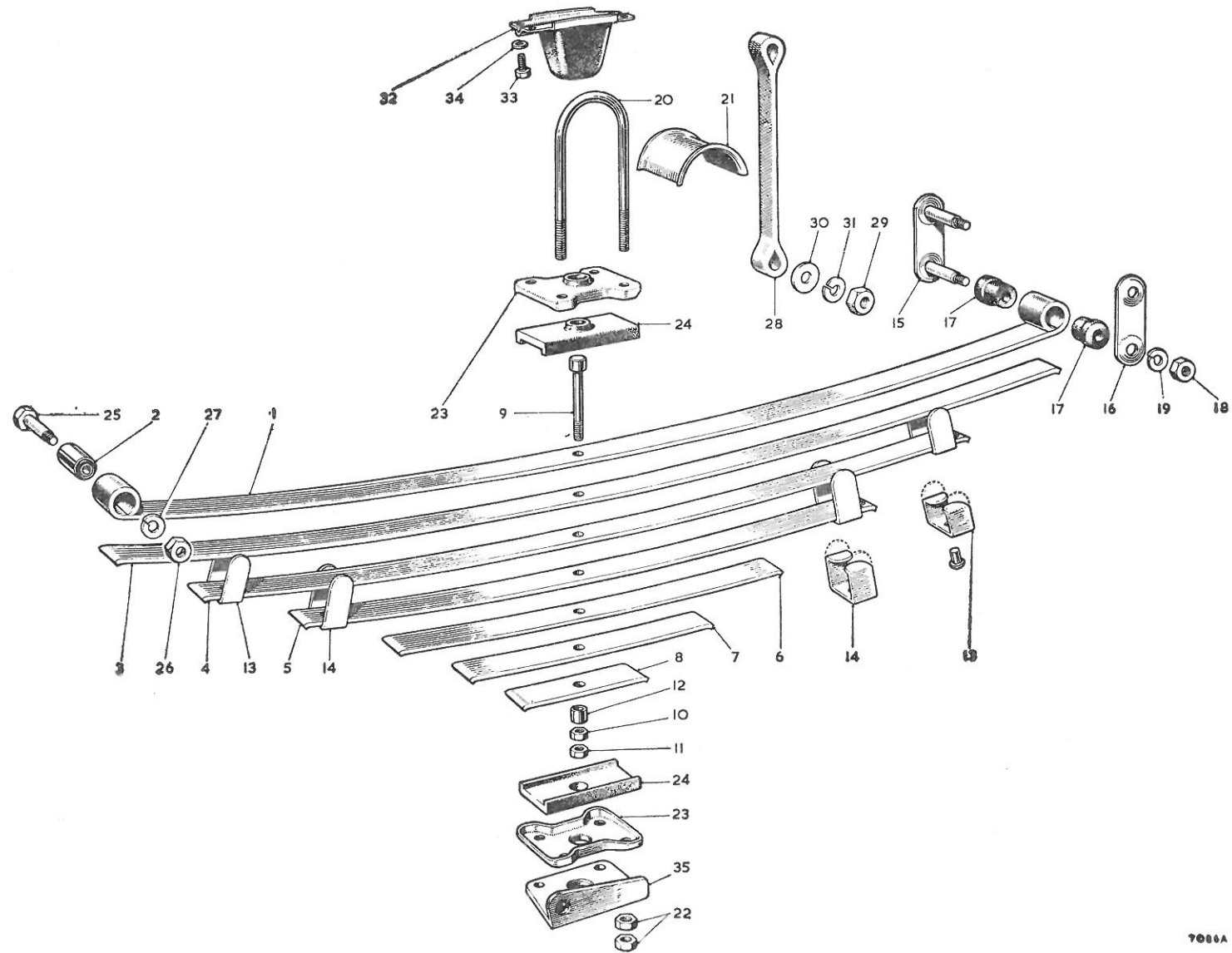
THE MG Series MGA TWIN CAM

Item No.	DESCRIPTION	Commencing (C) 501		Qty. per Veh.	MODIFICATIONS		REMARKS
		Part Number	Illus. No.		New Part Number	Change Point	
	Rear Axle—continued						
1	Washer for bolt (lock)	6K875	28	4			
2	Washer—pinion thrust (.126" [3.20 mm])	ATB7064	29	1			One used of selected size
3	Washer—pinion thrust (.124" [3.15 mm])	ATB7065		1			
4	Washer—pinion thrust (.122" [3.10 mm])	ATB7066		1			
5	Washer—pinion thrust (.120" [3.05 mm])	ATB7067		1			
6	Washer—pinion thrust (.118" [3.00 mm])	ATB7068		1			
7	Washer—pinion thrust (.116" [2.95 mm])	ATB7069		1			
8	Washer—pinion thrust (.114" [2.90 mm])	ATB7070		1			
9	Washer—pinion thrust (.110" [2.80 mm])	ATB7071		1			
10	Bearing—pinion (inner)	6K287	30	1			
11	Spacer for bearing	1B7240	31	1			
12	Bearing—pinion (outer)	2A7213	32	1			
13	Shim—outer bearing (.004" [.101 mm])	ATB7102	33	A/R			
14	Shim—outer bearing (.006" [.152 mm])	ATB7103		A/R			
15	Shim—outer bearing (.008" [.203 mm])	ATB7104		A/R			
16	Shim—outer bearing (.010" [.254 mm])	ATB7105		A/R			
17	Shim—outer bearing (.012" [.300 mm])	ATB7106		A/R			
18	Shim—outer bearing (.020" [.508 mm])	ATB7107		A/R			
19	Shim—outer bearing (.030" [.762 mm])	ATB7108		A/R			
20	Seal—oil	ATA7047	34	1			
21	Cover—dust	1G7439	35	1			
22	Flange—universal joint	ATB7059	36	1			
23	Nut for pinion	FNZ612	37	1			
24	Washer for nut (spring)	LWZ212	38	1			
25	Plate—adaptor (R/H)	ATB7256	39	1			
26	Plate—adaptor (L/H)	ATB7257		1			
27	Bolt—adaptor plate to axle case	ATB7258	40	8			
28	Nut for bolt	FNZ106	41	8			
29	Washer for nut (spring)	LWZ206	42	8			
30	Cover—dust	ATB7269	43	2			
31	Housing assembly—bearing	ATB7246	44	2			
32	Stud—disc plate to housing	ATB7248	45	8			
33	Stud—extension to housing	ATB7249	46	8			
34	Gasket hub extension	ATB7255	47	2	BTB252	ATB7255 not available use BTB252	
35	Shaft—axle	ATB1206	48	2	ATB7386	Com. (C) 2371	
36	Hub extension—R.H.	AJC5182	49	1	ATB7252	AJC5182 not available use ATB7252	
37	Hub extension—L.H.	AJC5183		1	ATB7253	Com. (C) 1840 approx. AJC5183 not available use ATB7253	
38	Plug—welch	2K8160	50	2			
39	Nut—pinacle	ATB7268	51	8			
40	Seal—oil	8C555	52	2			
41	Bearing for hub	2K7477	53	2			



Item No.	DESCRIPTION	Commencing (C) 501		Qty. per Veh.	MODIFICATIONS		REMARKS
		Part Number	Illus. No.		New Part Number	Change Point	
	BRAKES						
1	Disc—brake	ATB7254	1	2			
2	Nut—pinnacle—disc to housing	ATB7265	2	8			
3	Washer for nut (plain)	PWZ106	3	8			
4	Caliper unit assembly (R/H)	7H8215	1	1	7H8258] Com. (C) 836 approx.	
5	Caliper unit assembly (L/H)	7H8217	1	1	7H8259		
6	Caliper (R/H)	7H8263	4	1			
7	Caliper (L/H)	7H8262	1	1			
8	Cylinder assembly	7H8216	4	4	7H8253	Com. (C) 836 approx.	
9	Cylinder		5	4			
10	Pin—retractor		6	4] not supplied separately Items included in assembly
11	Bush—retractor stop		7	4			
12	Washer (spring)		8	8			
13	Cap		9	4			
14	Piston assembly	7H8218	4	4	7H8260	Com. (C) 836 approx.	
15	Piston		10	4			
16	Seal—piston		11	5] Not supplied separately Not supplied separately. items included in kit 8G8195
17	Seal—dust		12	4			
18	Plate		13	4			Not supplied separately
19	Bush—retractor	7H8212	14	4			
20	Screw—plate to piston	AJD4802N	15	8			
21	Washer for screw (shake proof)		16	8	7H8222	Com. (C) 836 approx.	
22	Bolt—cylinder to caliper	7H8206	17	16			
23	Washer for bolt (shake proof)	7H8207	18	16			
24	Pad assembly—friction	7H8201	19	4			
25	Plate—support	7H8202	20	4			
26	Plate—keep	7H8203	21	2			
27	Bolt for keep plate	7H8204	22	2	HZS0407	Com. (C) 836 approx.	
28	Nut for bolt	FNZ104	23	2			
29	Washer for nut (shakeproof)	7H8207	24	2			
30	Screw—bleep	7H8252	25	2			
31	Ball for bleed screw	BLS106	26	2			
32	Pipe—bridge (R/H)	7H8205	27	1	7H8254] Com. (C) 836 approx.	
33	Pipe—bridge (L/H)	7H8208	1	1	7H8255		
34	Bolt—caliper to adaptor plate	ATB4247	28	4			
35	Plate—lock	ATB7259	29	2			
36	Shim—caliper to adaptor plate (.003" [.0762 mm])	ATB7262	30	A/R			
37	Shim—caliper to adaptor plate (.005" [.127 mm])	ATB7263		A/R			
38	Shim—caliper to adaptor plate (.020" [.508 mm])	ATB7264		A/R			

Item No.	DESCRIPTION	Commencing (C) 501		Qty. per Veh.	MODIFICATIONS		REMARKS
		Part Number	Illus. No.		New Part Number	Change Point	
	Brakes—continued						
1	Brake assembly—hand (R/H)	7H8239		1			
2	Brake assembly—hand (L/H)	7H8247		1			
3	Pad carrier assembly—inner (R/H)		31	1			Not supplied separately Items included in assembly
4	Pad carrier assembly—outer (R/H)		32	1			
5	Pad carrier assembly—inner (L/H)			1			Not supplied separately Items included in kit 8G8197
6	Pad carrier assembly—outer (L/H)			1			
7	Pad—friction (R/H inner and L/H outer)		33	2			
8	Pad—friction (R/H outer and L/H inner)		34	2			
9	Rivet—bifurcated (short)	7H8250	35	4			
10	Rivet—bifurcated (long)	7H8251	36	4			
11	Lever assembly—operating	7H8240	37	2			
12	Bolt—lever to carrier	7H8241	38	2			
13	Nut—self-locking	7H8242	39	2			
14	Washer (tab)	7H8243	40	2			
15	Pin—clevis	7H8244	41	2			
16	Seat—pivot	7H8246	42	2			
17	Bolt—pad carrier to calliper unit	7H8245	43	4			
18	Kit—Calliper repair	8G8195		4 sets			
19	Seal—Piston			4			
20	Seal—dust			4			
21	Kit—friction pad replacement	8G8197		2 sets			
22	Pad—friction (R/H inner and L/H outer)			2			
23	Pad—friction (R/H outer and L/H inner)			2			
24	Rivet—bifurcated (short)			4			
25	Rivet—bifurcated (long)			4			



7081A

SERVICE PARTS LIST

THE MG Series MGA TWIN CAM

Item No.	DESCRIPTION	Commencing (C) 501		Qty. per Veh.	MODIFICATIONS		REMARKS
		Part Number	Illus. No.		New Part Number	Change Point	
	REAR SPRING						
1	Spring assembly—rear	AHH5461		2			
2	Leaf—main	AHH5462	1	2			
3	Bush	AHH5015	2	2			
4	Leaf—second	AHH5464	3	2			
5	Leaf—third	N.S.P.	4	2			
6	Leaf—fourth	N.S.P.	5	2			
7	Leaf—fifth	N.S.P.	6	2			
8	Leaf—sixth	N.S.P.	7	2			
9	Bottom plate	N.S.P.	8	2			
10	Bolt—locating	AHH5042	9	2			
11	Nut for locating bolt	FNZ105	10	2			
12	Locknut for locating bolt	FNZ205	11	2			
13	Distance piece for locating bolt	ACA5000	12	2			
14	Clip—third leaf	AHH5467	13	4			
15	Clip—fourth leaf	AHH5470	14	4			
16	Shackle plate and pins	AHH5018	15	2			
17	Shackle plate—inner	AHH5019	16	2			
18	Bush—shackle plate (rubber)	AHH5016	17	8			
19	Nut for shackle plate	FNZ106	18	4			
20	Washer for nut (spring)	LWZ206	19	4			
21	“U” clip—rear spring	184448	20	4			
22	Plate—top “U” clip	AHH5082	21	2			
23	Nut for “U” clip	FNZ106	22	16			
24	Plate—spring locating	ACG5001	23	4			
25	Pad—spring seating	ACG5002	24	4			
26	Bolt—spring front end	AHH5071	25	2			
27	Nut for front end bolt	FNZ107	26	2			
28	Washer for front end bolt (spring)	LWZ207	27	2			
29	Rebound strap	AHH5081	28	2			
30	Nut—rebound strap to axle	FNZ106	29	2			
31	Washer for nut (plain)	PWZ206	30	2			
32	Washer for nut (spring)	LWZ206	31	2			
33	Bump rubber	AHH5106	32	2			
34	Screw—bump rubber to fram	HZS0505	33	4			
35	Washer for bump rubber screw (spring)	LWZ205	34	4			
36	Bracket—shock absorber arm to rear spring—R/H	AHH5067		1			
37	Bracket—shock absorber arm to rear spring—L/H	AHH5068	35	1			