

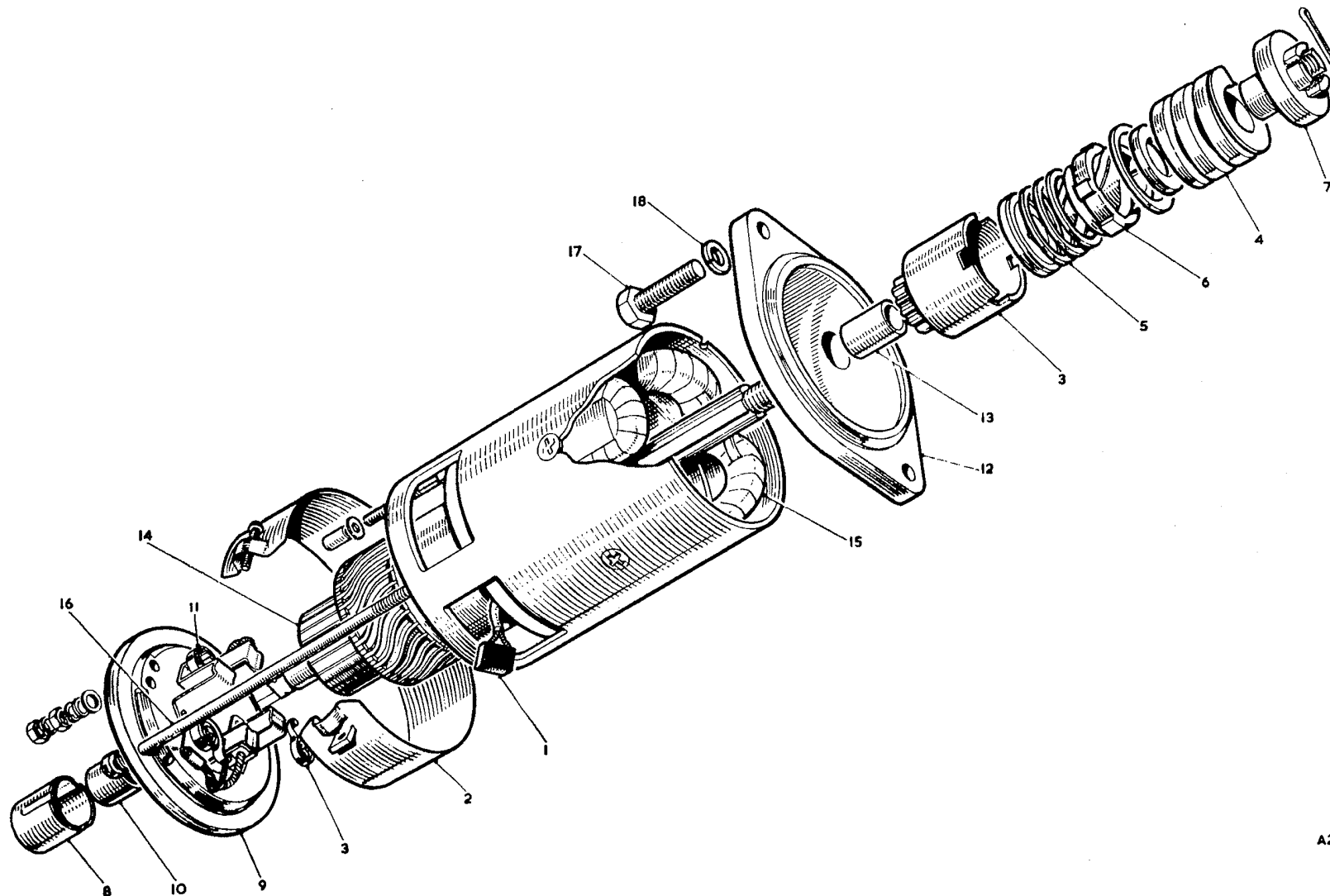
B1438

To face page N.1

SERVICE PARTS LIST

THE MGA 1600

Item No.	DESCRIPTION	Commencing (C) 68851		Quantity	MODIFICATIONS		REMARKS
		Part Number	Illus. No.		New Part Number	Change Point	
	BATTERY						
1	Battery	N.S.P.		2			
2	Screw—terminal	2K8645		2			
3	Clamp—battery	AHH5166		3			
4	Packing—battery clamp	AHH5169		4			
5	Bolt—battery fixing (long)	AHH5167		5			
6	Bolt—battery fixing (short)	AHH5168		6			
7	Locknut—battery fixing bolt	FNZ204		7			
8	Pad—battery (rubber)	AHH5170		8			
9	Cover—battery	BHA4140		9			
10	Cap nut—cover	BHA4147		10			
11	Bolt—battery (long)	AHH5064		11			
12	Bolt—battery (short)	AHH5063		12			
13	Nut—bolt	AJD8104Z		13			
14	Washer—plain—nut	PWZ104		4			
15	Dynamo	11G220		1		Fin. (E) 16GA/H6271	
16	Brush	7115028	14	1 set	13H1219 13H425 47H5388	Com. (E) 16GA/H6272	Optional extra Not available; use 13H1219 or 13H425, together with 1 off 47H5406 connector 17.5 amp. 1 off 51L286 insulator, 1 off 47H5419 connector 35 amp., 1 off 51L289 insulator Not available] Alternatives use 13H1219
17	Bracket assembly—commutator end	7115387	15	1	47H5395		
18	Bush—bracket	7H5390	16	1			
19	Oiler	17H5530	17	1	47H5394	Com. (E) 16GA/H6272	
20	Spring—brush tension	7H5031	18	1 set	47H5389		
21	Bearing—drive end	97H626	19	1			
22	Bracket assembly—drive end	7H5388	20	1	47H5393	Com. (E) 16GA/H6272	
23	Key—pulley	WKN404	21	1			
24	Nut—shaft	7H5034	22	1	FNN207	Com. (E) 16GA/H6272	7H5034 not available; use FNN207 FNN207 Part No. change; was 47H5215
25	Washer—spring nut	LWZ207	23	1			
26	Armature assembly	7115389	24	1	47H5391	Com. (E) 16GA/H6272	Not available; use 27H3574
27	Armature assembly	27H3574	24	1			
28	Coils field	7115071	25	a set	47H5390		
29	Terminal assembly	17H5433	26	1	57H5084		
30	Bolt—through fixing	17H5217	27	2			
31	Sundry parts	7115376		1 set	57H5085	Com. (E) 16GA/H6272	7115376 not available; use 57H5085

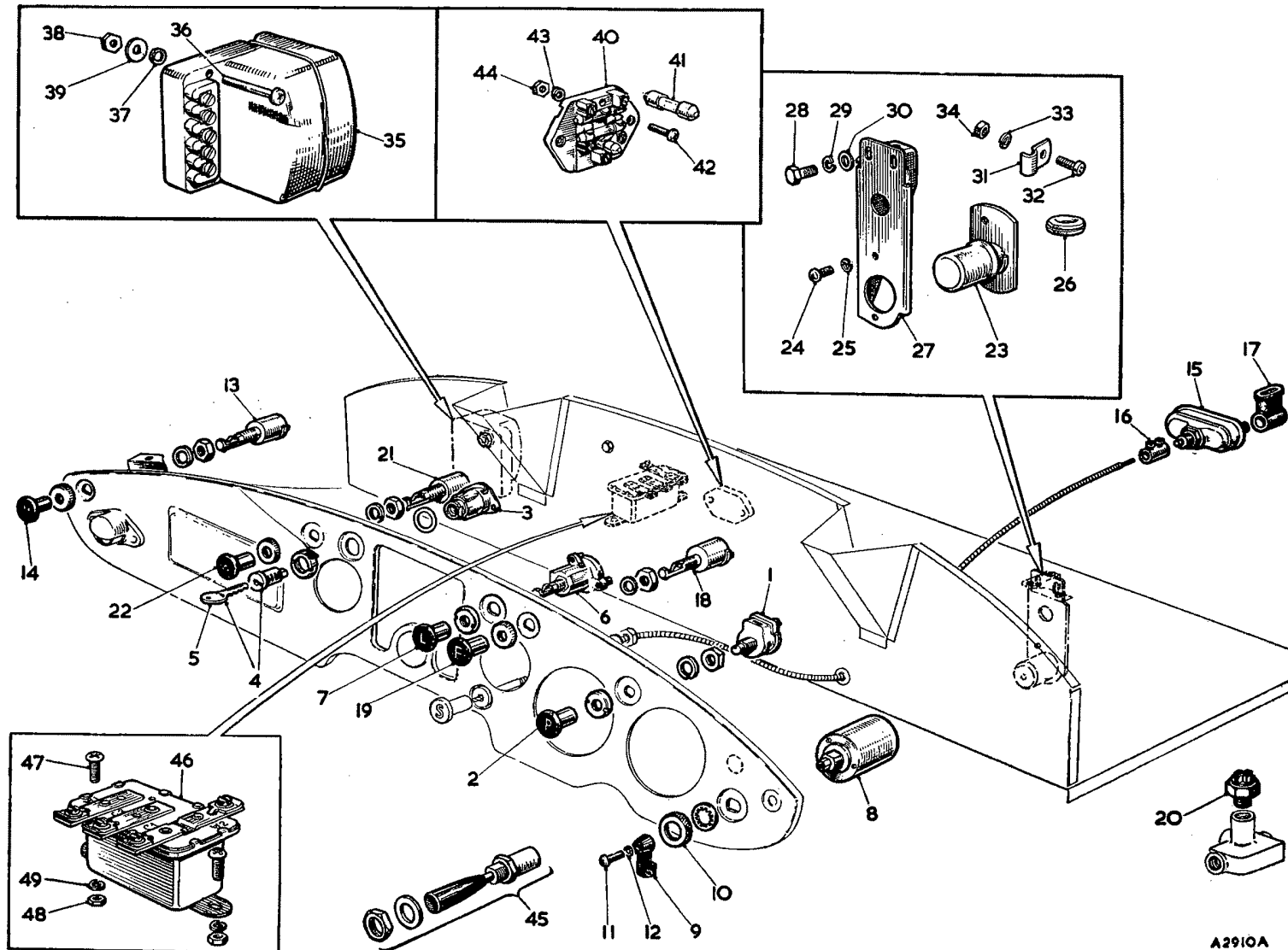


A2200

SERVICE PARTS LIST

THE MGA 1600

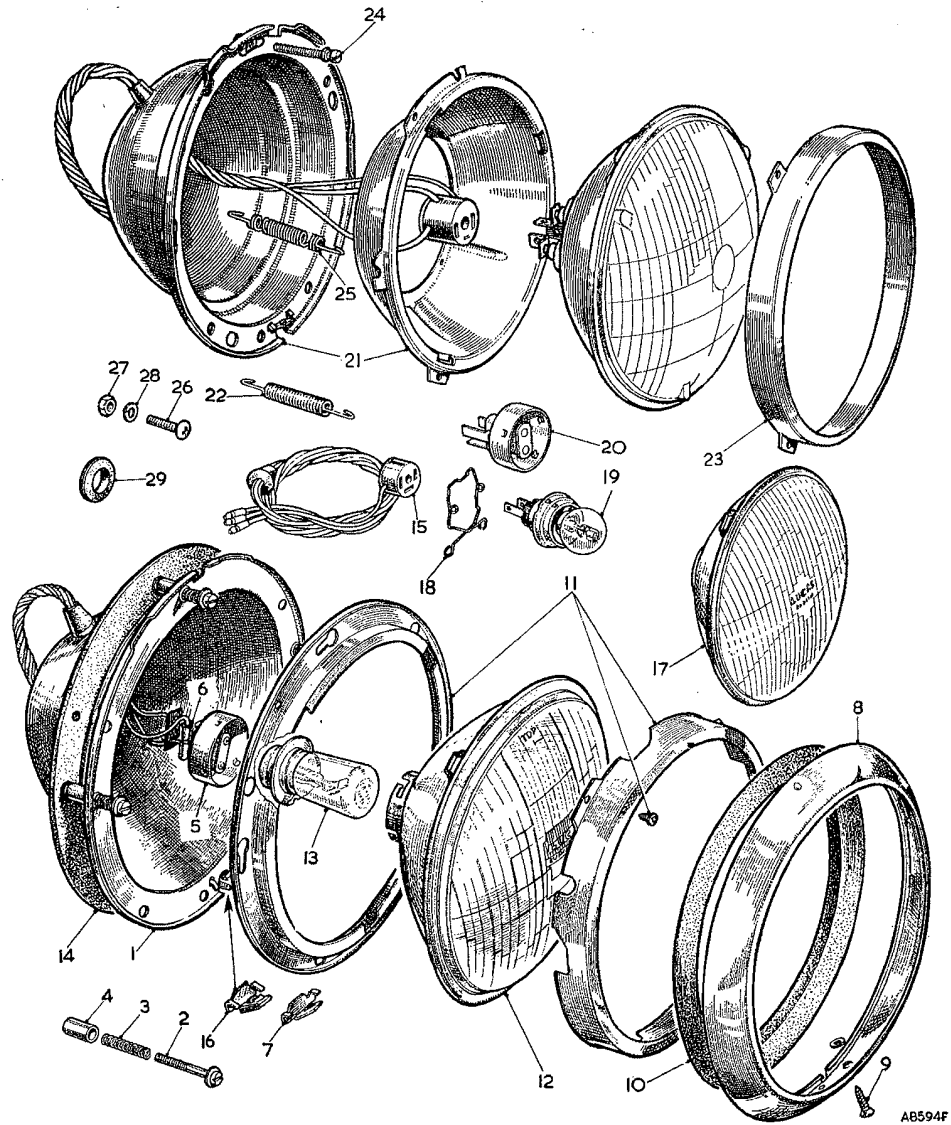
Item No.	DESCRIPTION	Commencing (C) 68851		Quantity	MODIFICATIONS		REMARKS
		Part Number	Illus. No.		New Part Number	Change Point	
	STARTER						
1	Starter	3H952		1	13H559		
2	Brush	7H5040	1	1 set			3H952 not available; use 13H559
3	Band—cover	7H5088	2	1			
4	Pinion and barrel	7H5046	3	1	67H5010		
5	Circlip—pinion and sleeve retaining	47H5100		1		Com. (E) 16GC/H6435	
6	Spring—pinion main	7H5045	4	1		Fin. (E) 16GC/H6434	
7	Spring—pinion return	7H5047	5	1		Fin. (E) 16GC/H6434	
8	Sleeve—screwed (with control nut)	7H5529	6	1	67H5013	Com. (E) 16GC/H6435	
9	Nut—shaft	47H5342	7	1			
10	Cap—shaft	7H5089	9	1		Fin. (E) 16GC/H6434	
11	Cup—shaft			1	67H5008		
12	Circlip—cup retaining			1	7H6887		
13	Bracket—commutator end	7H5041	9	1	47H5339	Com. (E) 16GC/H6435	
14	Bush—commutator end	7H5042	10	1	47H5340		
15	Spring—brush tension (for bracket with split support post)	7H5043	11	1 set			Use 27H6768 for this application
16	Spring—brush tension	47H5341		1 set			See service memorandum MG/347
17	Bracket—driving end	7H5048	12	1	67H5014		
18	Bush—driving end	7H5049	13	1	47H5346	Com. (E) 16GC/H6435	
19	Armature	7H5050	14	1	67H5012		
20	Coils—field	7H5051	15	1 set			
21	Bolt—end covers	17H5444	16	2			
22	Sundry parts	7H5156		1 set			
23	Screw fixing starter	53K149	17	2			
24	Washer—spring—screw	LWN206	18	2			



SERVICE PARTS LIST

THE MGA 1600

Item No.	DESCRIPTION	Commencing (C) 68851		Quantity	MODIFICATIONS		REMARKS
		Part Number	Illus. No.		New Part Number	Change Point	
	SWITCHES						
1	Switch—panel light	47H5188	1	1			Not available; use 57H5081
2	Switch—panel light	57H5081	1	1			Not available; use 57H5526
3	Switch—panel light	57H5526	1	1			
4	Knob—switch	AHH5368	2	1			
5	Switch—ignition	AHH5369	3	1	3H2825		AHH5369 not available; use 3H2825
6	Lock and key—ignition switch	2H4185	4	1	24G1345		Part No. change; was 7H9380 Not available; use 24G1345
7	Key	ANK4646	5	2			
8	Switch—head and sidelamp	3H3098	6	1			
9	Knob—switch	AHH5300	7	1			
10	Switch—flasher	AMK5007	8	1			
11	Lever—switch	27H5511	9	1	11K9308		27H5511 not available; use K9308
12	Nut—knurled—fixing flasher switch	17H5485	10	1			
13	Screw fixing lever	17H5383	11	1			
14	Washer—spring—screw	17H5484	12	1			
15	Switch—map reading lamp	27H5278	13	1			
16	Knob—switch	AHH5362	14	1			
17	Switch—starter	3H1949	15	1			
18	Coupling switch to control	3H1950	16	1			
19	Bootee terminal	BCA4326	17	2			
20	Solenoid switch—starter	BCA4501		1			
21	Screw—switch to R/H wheelarch	PMZ0308		2] For use when steering lock is fitted
22	Washer—spring—screw	LWZ203		2			
23	Nut—screw	FNZ103		2			
24	Switch—for lamp	27H5278	18	1			
25	Knob—switch	AHH5366	19	1			
26	Switch—stop lamp	3H1894	20	1			
27	Switch—windscreen wiper	27H5278	21	1			
28	Knob—switch	AHH5364	22	1			
29	Switch—dipper	11G2007	23	1			
30	Screw—dipper switch to bracket	AJD1243Z	24	2			
31	Washer—spring—screw	LWZ203	25	2			
32	Grommet—dip switch cable through bulkhead	ACB8474	26	1			
33	Bracket—dipper switch	AHH5780	27	1			
34	Screw—bracket to crossmember—frame goal post	HZS0405	28	1			
35	Washer—spring—screw	LWZ204	29	3			
36	Washer—plain—screw	PMZ104	30	3			
37	Bracket—dipper switch	AHH5965		1			
38	Screw—bracket to inner goal post upright—L/H	PMZ0310		3			
39	Washer—spring—screw	LWZ203		3			
40	Clip—dipper switch cable to bracket	CHR0507	31	1			
41	Screw—clip	PMZ0307	32	1			
42	Washer—spring—screw	LWZ203	33	1			
43	Nut—screw	FNZ103	34	1			



SERVICE PARTS LIST

THE MGA 1600

Item No.	DESCRIPTION	Commencing (C) 68851		Quantity	MODIFICATIONS		REMARKS
		Part Number	Illus. No.		New Part Number	Change Point	
	LAMPS (ROAD)						
1	Headlamp U.K. R.H.D.	47H5365		2			No longer available; use component parts
2	Body assembly	7H6838	1	2			
3	Screw—beam adjustment	17H5394	2	6			
4	Spring—screw	17H5231	3	6			
5	Sleeve—sealing	27H5253	4	6			
6	Adaptor and cable assembly	17H5145	5	2			Not available; use 37H5588
7	Adaptor and cable assembly	37H5588	5	2	27H2333		37H5588 not available; use 27H2333
8	Adaptor	17H5306		2			
9	Sleeve—terminal	73H5271	6	6			
10	Sleeve—terminal	7H5582	6	2] Alternatives
11	Bracket—rim fixing	17H5232	7	2			
12	Rim assembly	17H5147	8	2			
13	Screw—rim fixing	AJA5081	9	2			
14	Excluder—dust	3H2962	10	2		Fin. (C) 105361	
15	Plate—light unit retaining	17H5205	11	2			
16	Light unit	7H5483	12	2			
17	Bulb—left dip	BFS414	13	2			
18	Gasket—body	3H1031	14	2	7H8338	Com. (C) 105362	Part No. change; was 13H1140
19	Headlamp Sweden			2	BMK301		7H8338 correction; was 7H8358 No longer available; use component parts
20	Body assembly		1	2	67H5028		
21	Screw—beam adjustment		2	6	17H5394		
22	Spring—screw		3	6	17H5231		
23	Sleeve—sealing		4	6	27H5253		
24	Adaptor and cable assembly		15	2	BHA4235		
25	Adaptor			2	47H5126		
26	Sleeve—terminal		6	6	37H5271		
27	Sleeve—terminal		6	6	7H5582	Com. (C) 72040] 37H5271 correction; was 37 5721 Alternatives
28	Bracket—rim fixing		7	2	37H5190		
29	Nut—rim fixing		16	2	27H5354		
30	Rim assembly		8	2	17H5147		
31	Screw—rim fixing		9	2	AJA5081		
32	Excluder—dust		10	2	3H2962		
33	Plate—light unit retaining		11	2	17H5205		
34	Light unit		17	2	47H5528		
35	Spring—bulb retaining		18	2	47H5125		
36	Bulb—vertical dip		19	2	BFS410		Part No. change; was 13H1138
37	Gasket—body		14	2	3H1031		

SERVICE PARTS LIST

THE MGA 1600

Item No.	DESCRIPTION	Commencing (C) 68851		Quantity	MODIFICATIONS		REMARKS
		Part Number	Illus. No.		New Part Number	Change Point	
	Lamps (Road)—continued						
1	Headlamp L.H.D. Europe except France		N.S.P.	2			No longer available; use component parts
2	Body assembly	67H5028	1	2			
3	Screw—beam adjustment	17H5394	2	6			
4	Spring—screw	17H5231	3	6			
5	Sleeve—sealing	27H5253	4	6			
6	Adaptor and cable assembly	BHA4235	15	2			
7	Adaptor	47H5126		2			
8	Sleeve—terminal	37H5271	6	6] Alternatives
9	Sleeve—terminal	7H5582	6	6			
10	Bracket—rim fixing	37H5190	7	2			
11	Nut—rim fixing.....	27H5354	16	2			
12	Rim assembly	17H5147	8	2			
13	Screw—rim fixing	AJA5081	9	2			
14	Excluder—dust	3H2962	10	2			
15	Plate—light unit retaining	17H5205	11	2			
16	Light unit	47H5124	17	2			
17	Spring—bulb retaining	47H5125	18	2			
18	Bulb—vertical dip	BFS410	19	2			Part No. change; was 13H138
19	Gasket—body	3H1031	14	2			
20	Headlamp France	BCA4303		2			No longer available; use component parts
21	Body assembly	67H5028	1	2			
22	Screw—beam adjustment	17H5394	2	6			
23	Spring—screw	17H5231	3	6			
24	Sleeve—sealing	27H5253	4	6			
25	Adaptor and cable assembly	BHA4235	15	2			
26	Adaptor	47H5126		2			
27	Sleeve—terminal	37H5271	6	6] Alternatives
28	Sleeve—terminal	7H5582	6	6			
29	Bracket—rim fixing	37H5190	7	2			
30	Nut—rim fixing.....	27H5354	16	2			
31	Rim assembly	17H5147	8	2			
32	Screw—rim fixing	AJA5081	9	2			
33	Excluder—dust	3H2962	10	2			
34	Plate—light unit retaining	17H5205	11	2			
35	Light unit	47H5124	17	2			
36	Spring—bulb retaining	47H5125	18	2			
37	Bulb—vertical dip	BFS411	19	2			Part No. change; was 13H139
38	Gasket—body	3H1031	14	2			

SERVICE PARTS LIST

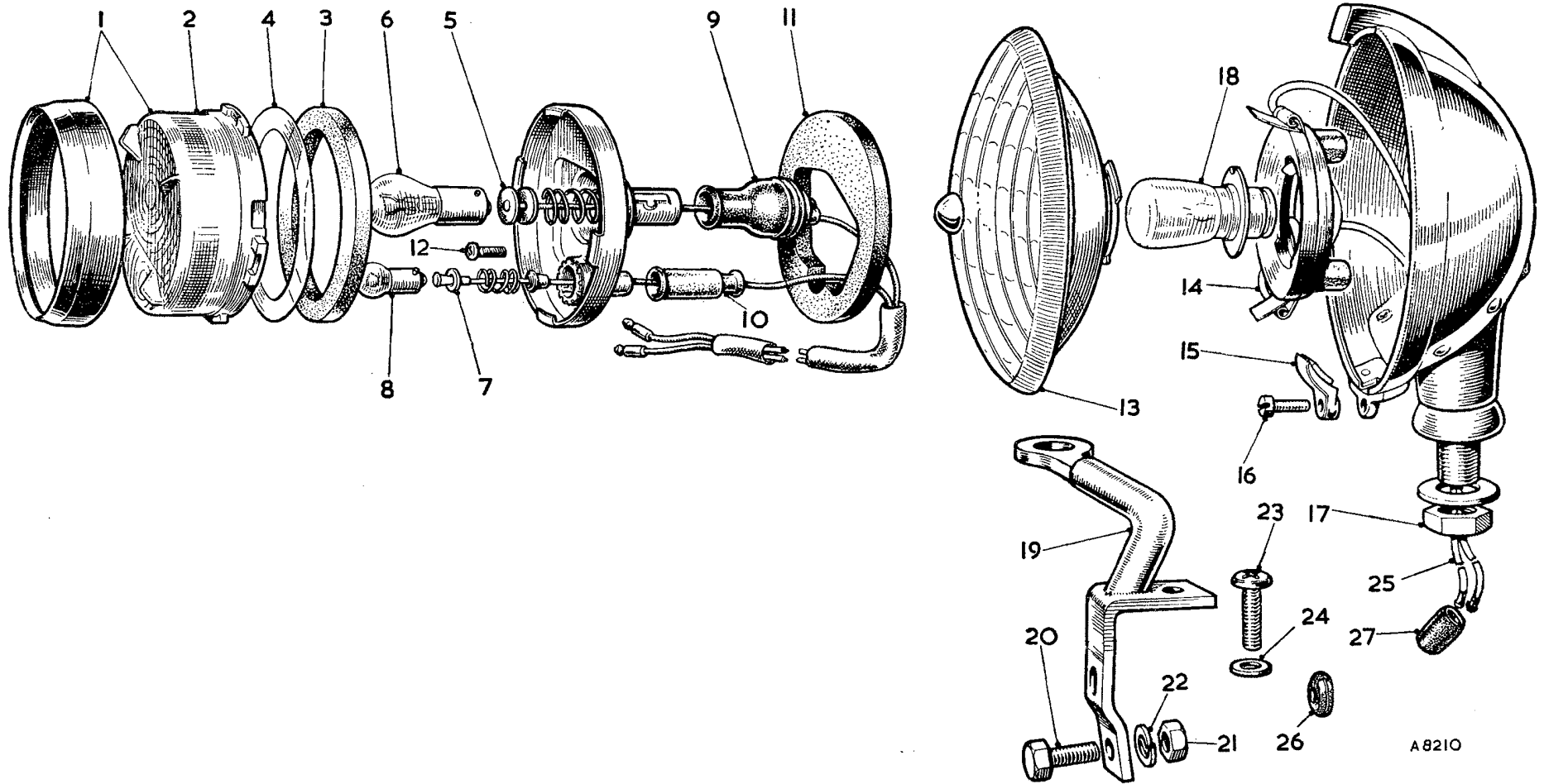
THE MGA 1600

Item No.	DESCRIPTION	Commencing (C) 68851		Quantity	MODIFICATIONS		REMARKS
		Part Number	Illus. No.		New Part Number	Change Point	
	Lamps (Road) continued						
1	Headlamp L.H.D. except Europe	N.S.P.		2			No longer available; use component parts
2	Body assembly	67H5028	1	2			
3	Screw—beam adjustment	17H5394	2	6			
4	Spring—screw	17H5231	3	6			
5	Sleeve—sealing	27H5253	4	6			
6	Adaptor and cable assembly	BHA4235	15	2			
7	Adaptor	47H5126		2			
8	Sleeve—terminal	37H5271	6	6			
9	Sleeve—terminal	7H5582	6	6			
10	Bracket—rim fixing	37H5190	7	2		Fin. (C) 105361	Alternatives
11	Nut—rim fixing	27H5354	16	2			
12	Rim assembly	17H5147	8	2			
13	Screw—rim fixing	AJA5081	9	2			
14	Excluder dust	3H2902	10	2			
15	Plate—light unit retaining	17H5205	11	2			
16	Light unit	17H5375	12	2			
17	Adaptor—conversion	17H5546	20	2			
18	Bulb—right dip	BFS355	13	2			
19	Gasket—body	3H11031	14	2			Part No. change; was 3H11803
20	Headlamp L.H.D. except Europe			2	N.S.P.		
21	Body assembly		1	2	7116838		
22	Screw—beam adjustment		2	6	17H5394		
23	Spring—screw		3	6	17H5231		
24	Sleeve—sealing		4	6	27H5253		
25	Adaptor and cable assembly		5	2	17H5145		27H5253 correction; was 17H5253
26	Adaptor and cable assembly		5	2	37H5588		Not available; use 37H5588
27	Adaptor and cable assembly			2	27H2333		Not available; use 27H2333
28	Adaptor			2	17H5306		
29	Sleeve—terminal		6	6	37H5231		
30	Sleeve—terminal		6	6	7H5582		
31	Bracket—rim fixing		7	2	17H5232		Alternatives
32	Rim assembly		8	2	17H5147		
33	Screw—rim fixing		9	2	AJA5081		
34	Plate—light unit retaining		11	2	17H5205		
35	Light unit		12	2	17H5375		
36	Bulb—right dip		13	2	BFS355		
37	Gasket—body		14	2	7118338		

SERVICE PARTS LIST

THE MGA 1600

Item No.	DESCRIPTION	Commencing (C) 68851		Quantity	MODIFICATIONS		REMARKS
		Part Number	Illus. No.		New Part Number	Change Point	
	Lamps (Road)—continued						
1	Headlamp U.S.A.			2	57H5010	Com. (C) 70222 Fin. (C) 102856	No longer available; use component parts
2	Body assembly		21	2	67H5029		
3	Screw—beam adjustment		2	4	17H5230		
4	Spring—screw		3	4	17H5231		
5	Spring—rim fixing		22	2	17H5277		
6	Plate—light unit retaining		23	2	17H5273		
7	Adaptor and cable assembly		15	2	BHA4235		
8	Adaptor			2	47H5126		
9	Sleeve—terminal		6	6	37H5271		
10	Sleeve—terminal		6	6	7H5582] Alternatives
11	Bracket—rim fixing		7	2	37H5190		
12	Nut—rim fixing		16	2	27H5354		
13	Rim assembly		8	2	47H5564		
14	Screw—rim fixing		9	2	AJA5081		
15	Gasket—body		14	2	13H346		
16	Headlamp N. America			2	57H5382		No longer available; use component parts
17	Body assembly		21	2	67H5024		
18	Screw—beam adjustment		24	4	67H5025		
19	Spring—unit seating rim		25	2	67H5026		
20	Plate—light unit retaining		23	2	57H5292	Not available; use 27H3338	
21	Plate—light unit retaining		23	2	27H3338		
22	Adaptor and cable assembly		15	2	BHA4235		
23	Adaptor			2	47H5126	Com. (C) 102857 (U.S.A.) Com. (C) 107031 (Canada)	
24	Sleeve—terminal		6	6	37H5271		
25	Sleeve—terminal		6	6	7H5582] Alternatives	
26	Bracket—rim fixing		7	2	37H5190		
27	Nut—rim fixing		16	2	27H5354		
28	Rim assembly		8	2	17H5147		
29	Screw—rim fixing		9	2	AJA5081		
30	Gasket—body		14	2	57H5353		
31	Tubing—headlamp leads	N.S.P.		2		Was ACH5701	
32	Screw—headlamp to wing	PMZ0810	26	8			
33	Nut—screw	FNZ103	27	8			
34	Washer—spring—nut	LWZ203	28	8			
35	Grommet—cable through front panel and radiator support	RFR110	29	3			



A 8210

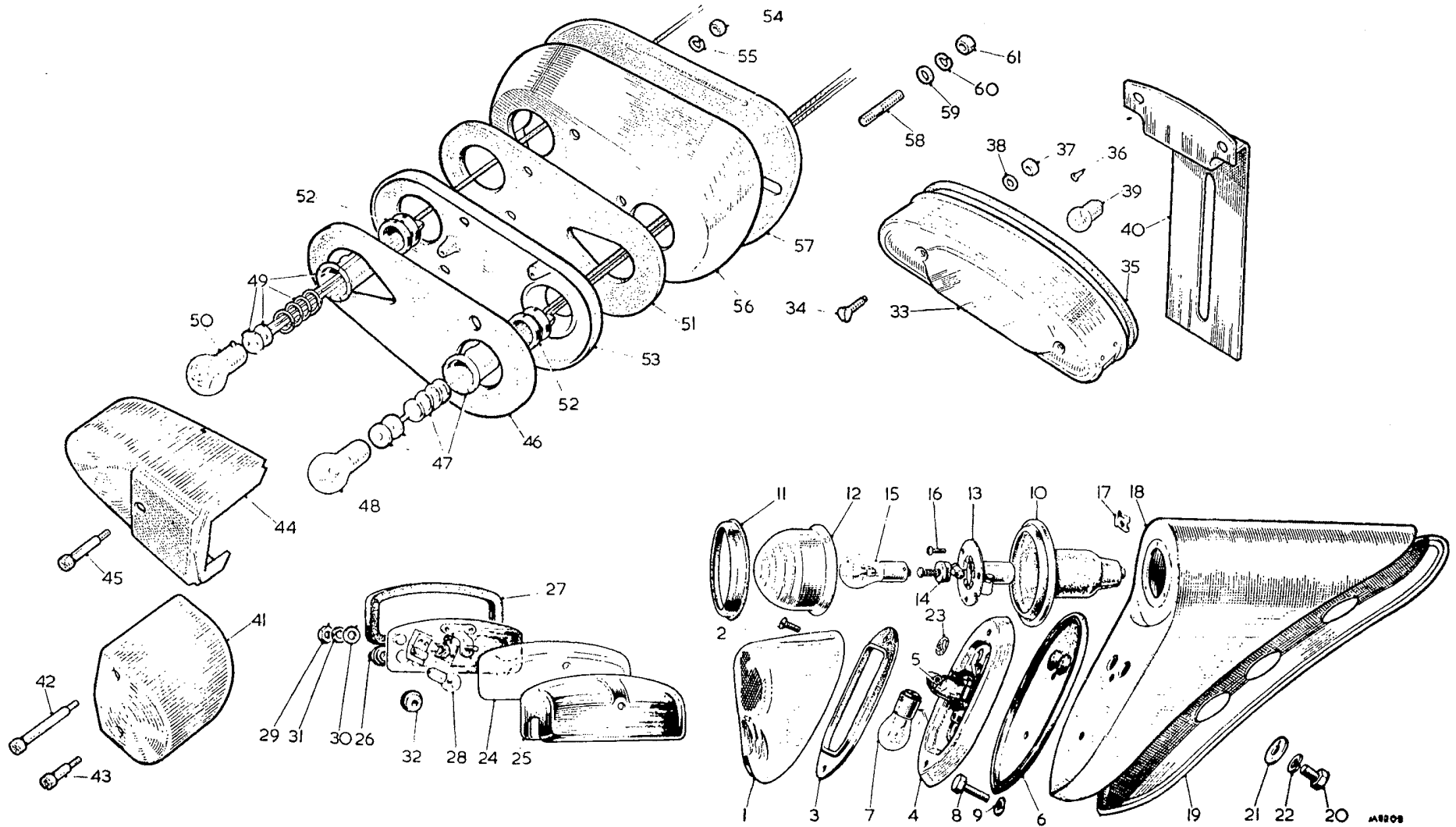
SERVICE PARTS LIST

THE MGA 1600

Item No.	DESCRIPTION	Commencing (C) 68851		Quantity	MODIFICATIONS		REMARKS
		Part Number	Illus. No.		New Part Number	Change Point	
	Lamps (Road) —continued						
1	Sidelamp assembly and flasher (Amber and White)	BCA4311		2	13H519		BCA4311 not available; use 13H519
2	Sidelamp assembly and flasher (White) L.H.D.	BCA4342			13H520		BCA4342 not available; use 13H520
3	Lens and rim (Amber and White)	47H5507	1	2			
4	Lens and rim (White) L.H.D.	47H5508		2			
5	Lens (Amber and White)	47H5504	2	2			
6	Lens (White) L.H.D.	47H5506		2			
7	Gasket— lens seating	37H5440	3	2			
8	Ring—sliding	17H5307	4	2			
9	Interior—bulb holder (flasher)	37H5452	5	2			
10	Bulb—flasher	BFS382	6	2			Part No. change; was 1F9012
11	Interior—bulb holder (sidelamp)	7H5536	7	2			Part No. change; was 2H4817
12	Bulb—sidelamp	BFS989	8	2			
13	Grommet— cable entry (flasher)	37H5525	9	2			
14	Grommet— cable entry (sidelamp)	37H5294	10	2			
15	Gasket—lamp seating	47H5505	11	2			
16	Screw—sidelamp to wing	PMZ0306	12	4			
17	Lamp—fog	AD11785		2			
18	Light unit	ACG5179	13	2			
19	Adaptor assembly		14	2	57H5336		ACG5180 not available; use 57H5336
20	Catch rim	AJH5057	15	2			
21	Screw catch	17H5400	16	2			
22	Nut—lamp spigot	17H5401	17	2	27H6707		17H5401 not available; use 27H6707
23	Bulb	BFS323	18	2			Part No. change; was 1F9034
24	Bracket—fog lamp—R/H	AHH5521	19	1			
25	Bracket—fog lamp—L.H.	AHH5520		1			
26	Screw—bracket to bumper blade (lower)	HZS0506	20	2			
27	Nut—screw	FNZ105	21	2			
28	Washer—spring—nut	LWZ205	22	2			
29	Screw—bracket to bumper blade (top)	PMP0518	23	2			
30	Washer—plain—screw	PWP105	24	2			
31	Relay—fog lamp	BHA4075		1			
32	Screw - relay to bulkhead	PMZ0308		2			
33	Nut screw	FNZ103		2			
34	Washer—spring—nut	LWZ203		2			
35	Harness—fog lamp relay	AHH5758		1			
36	Lead—fog lamp 45" (114 cm.) R.H.D.	AHH5454	25	2			
37	Lead—fog lamp 15" (38 cm.)	AHH5541		2			
38	Grommet—lamp lead	RFR103	26	4			
39	Connector	2H2617	27	3			

Optional extra

For use with twin fog lamps
No longer available



SERVICE PARTS LIST

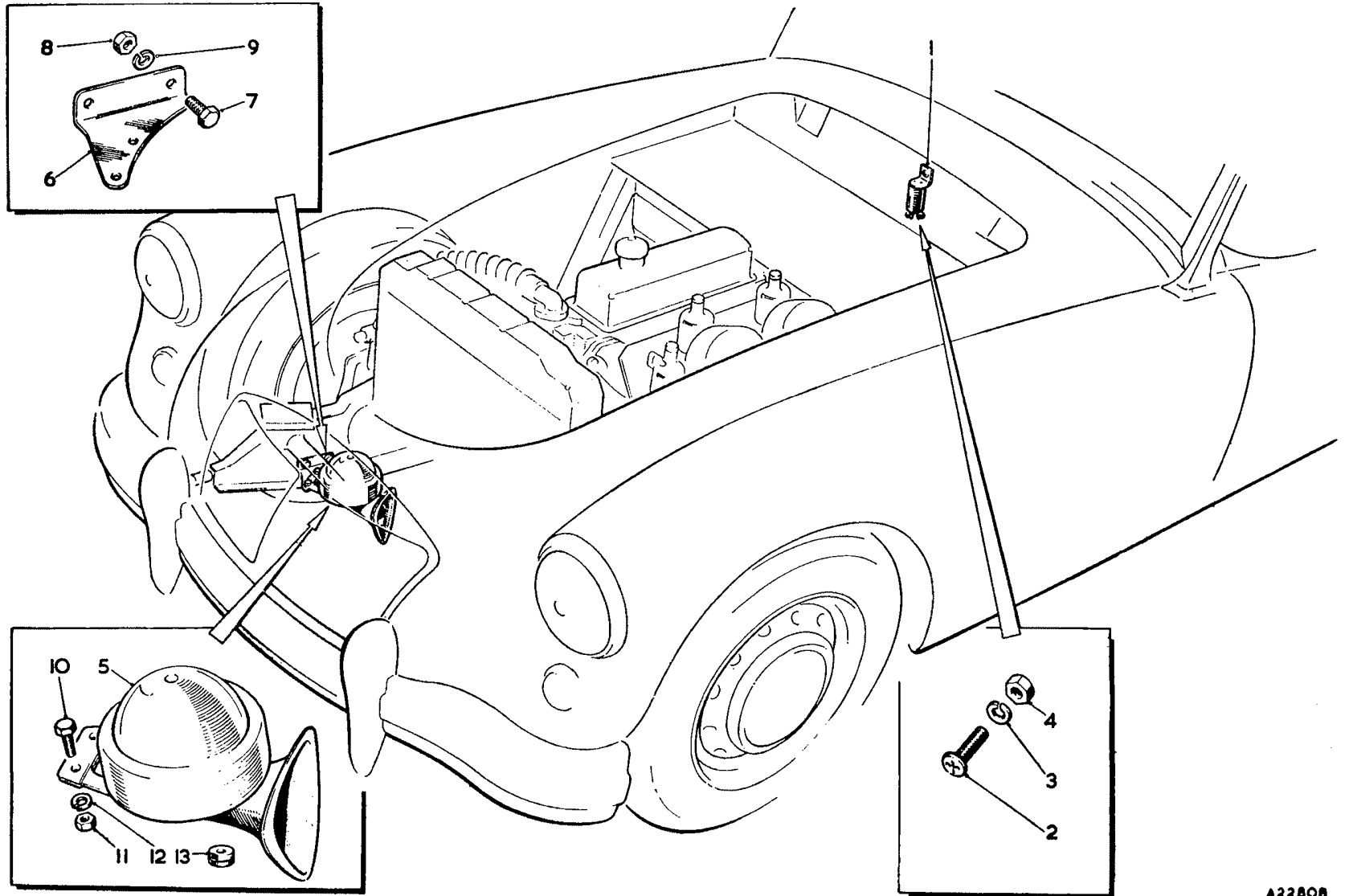
THE MGA 1600

Item No.	DESCRIPTION	Commencing (C) 68851		Quantity	MODIFICATIONS		REMARKS
		Part Number	Illus. No.		New Part Number	Change Point	
	Lamps (Road)—continued						
1	Lamp—stop/tail and reflex assembly	13H23		2			
2	Lens and reflex assembly	AJA5069	1	2			
3	Screw—lens fixing	37H5410	2	4			
4	Rubber—lens seating	AJA5071	3	2			
5	Rim and bulb holder assembly	AJA5072	4	2			
6	Sleeve—terminal	37H5271	5	6			
7	Rubber—lamp seating	AJA5073	6	2			
8	Bulb	BFS380	7	2			Part No. change; was 1F9026
9	Screw—lamp to plinth	PMZ0308	8	4			
10	Washer—spring—screw	LWZ203	9	4			
11	Lamp—rear flasher (Amber)	2A9013		2			
12	Lamp—rear flasher (Red)	2A9040		2			
13	Body—rubber	37H5527	10	2			
14	Rim	7H5182	11	2		Fin. (C) 100851	
15	Lens—Amber	37H5520	12	2			
16	Lens—Red	37H5531		2			
17	Bulb holder and plate assembly	37H5528	13	2			
18	Interior—bulb holder	AJH5100	14	2	7H5202		AJH5100 not available; use 7H5202
19	Bulb	BFS382	15	2			
20	Screw—lamp to plinth	PTZ604	16	6			
21	Nut—screw	PFS326	17	6			
22	Plinth—tail lamp—R/H	AHH5920	18	1			
23	Plinth—tail lamp—L/H	AHH5921		1			
24	Seal—plinth	AHH5918	19	2			
25	Screw—plinth to rear wing	HZS0405	20	4			
26	Washer—plain—screw	PWZ204	21	4			
27	Washer—spring—screw	LWZ204	22	4			
28	Grommet—lamp cable	RFR104	23	2			
29	Lamp—number plate	3D1813		1	BHA4153		3H1813 correction;] Except was 3D1813] Switzerland
30	Window—lamp	7H5121	24	1	57H5128	Com. (C) 88844	
31	Cover	7H5185	25	1			
32	Grommet—cable	5L321	26	1		Fin. (C) not available	Part no change; was 7H5164
33	Joint—lamp base	7H5122	27	1	57H5368		7H5122 not available; use 57H5368
34	Bulb	BFS989	28	1/2			Quantity increased at (C) 88844 Part No. change; was 2H4817
35	Sundry parts	7H5123		1 set			
36	Nut—fixing lamp	AJD8012Z	29	2			
37	Washer—plain—nut	PWZ103	30	2			
38	Washer—spring—nut	LWZ203	31	2			
39	Grommet—cable	RFR104	32	1			

SERVICE PARTS LIST

THE MGA 1600

Item No.	DESCRIPTION	Commencing (C) 68851		Quantity	MODIFICATIONS		REMARKS
		Part Number	Illus. No.		New Part Number	Change Point	
	Lamps (Road)—continued						
1	Lamp—number plate Switzerland			1	BHA4158		
2	Cover	33	1	1	57H5250		
3	Screw—cover fixing	34	2	2	AJD2244C		Part No. change; was 30501
4	Bead—cover joint	35	1	1	AAA463		Part No. change; was 08044
5	Sleeve—terminal	36	4	4	7H5582	Com. (C) 92679	
6	Nut—lamp fixing	37	2	2	AJH5165		Not available; use AJD9104Z
7	Washer—shakeproof—nut	38	2	2	LWZ404		Part No. change; was 57H5258
8	Bulb	39	2	2	BFS089		Part No. change; was 2H4817
9	Bracket—number plate lamp	40	1	1	AHH5993		
10	Lamp—stop/tail, flasher and reflex assembly—R/H (Amber and Red)			1	BHA4229		BHA4229 correction; was BHA4200
11	Lamp—stop/tail, flasher and reflex assembly—L/H (Amber and Red)			1	BHA4228		
12	Lamp—stop/tail, flasher and reflex assembly—R/H (Red)			1	BHA4231		
13	Lamp—stop/tail, flasher and reflex assembly—L/H (Red)			1	BHA4230		
14	Lens—flasher—R/H (Amber)	41	1	1	47H5362		
15	Lens—flasher—L/H (Amber)			1	47H5355		
16	Lens—flasher—R/H (Red)			1	47H5470		
17	Lens—flasher—L/H (Red)			1	47H5480		
18	Screw—flasher lens fixing (long)	42	2	2	47H5356		
19	Screw—flasher lens fixing (short)	43	2	2	47H5357		
20	Lens—stop/tail—R/H	44	1	1	47H5363		
21	Lens—stop/tail—L/H			1	47H5358		
22	Screw—stop/tail lens fixing	45	2	2	47H5359	Com. (C) 100352	
23	Gasket—lens sealing	46	2	2	47H5360		
24	Interior—flasher bulb holder	47	2	2	37H5452		
25	Bulb—flasher	48	2	2	BFS382		
26	Interior—stop/tail bulb holder	49	2	2	37H5450		
27	Bulb—stop/tail	50	2	2	BFS380		
28	Gasket—lamp seating	51	2	2	57H5399		
29	Grommet—bulb holder	52	4	4	17H5216		
30	Base with bulb holder shells—R/H	53	2	2	57H5401		
31	Base with bulb holder shells—L/H			2	57H5400		
32	Nut—lamp to plinth	54	6	6	FNZ103		
33	Washer—spring—for nut	55	6	6	LWZ203		
34	Plinth—lamp—R/H	56	1	1	AHH6118		
35	Plinth—lamp—L/H			1	AHH6119		
36	Gasket—plinth (rubber)	57	2	2	AHH6116	Com. (C) 100352 Fin. (C) 101352 Com. (C) 101353	AHH6116 not available; use 47H9651
37	Prestik— $\frac{1}{2}$ " \times $\frac{1}{8}$ " (Cream)			60"	47H9651		
38	Stud—plinth to body	58	4	4	CHS2510		
39	Washer—plain—stud	59	4	4	PWZ205		
40	Washer—spring—stud	60	4	4	LWZ205	Com. (C) 100352	
41	Nut—stud	61	4	4	FNZ105		

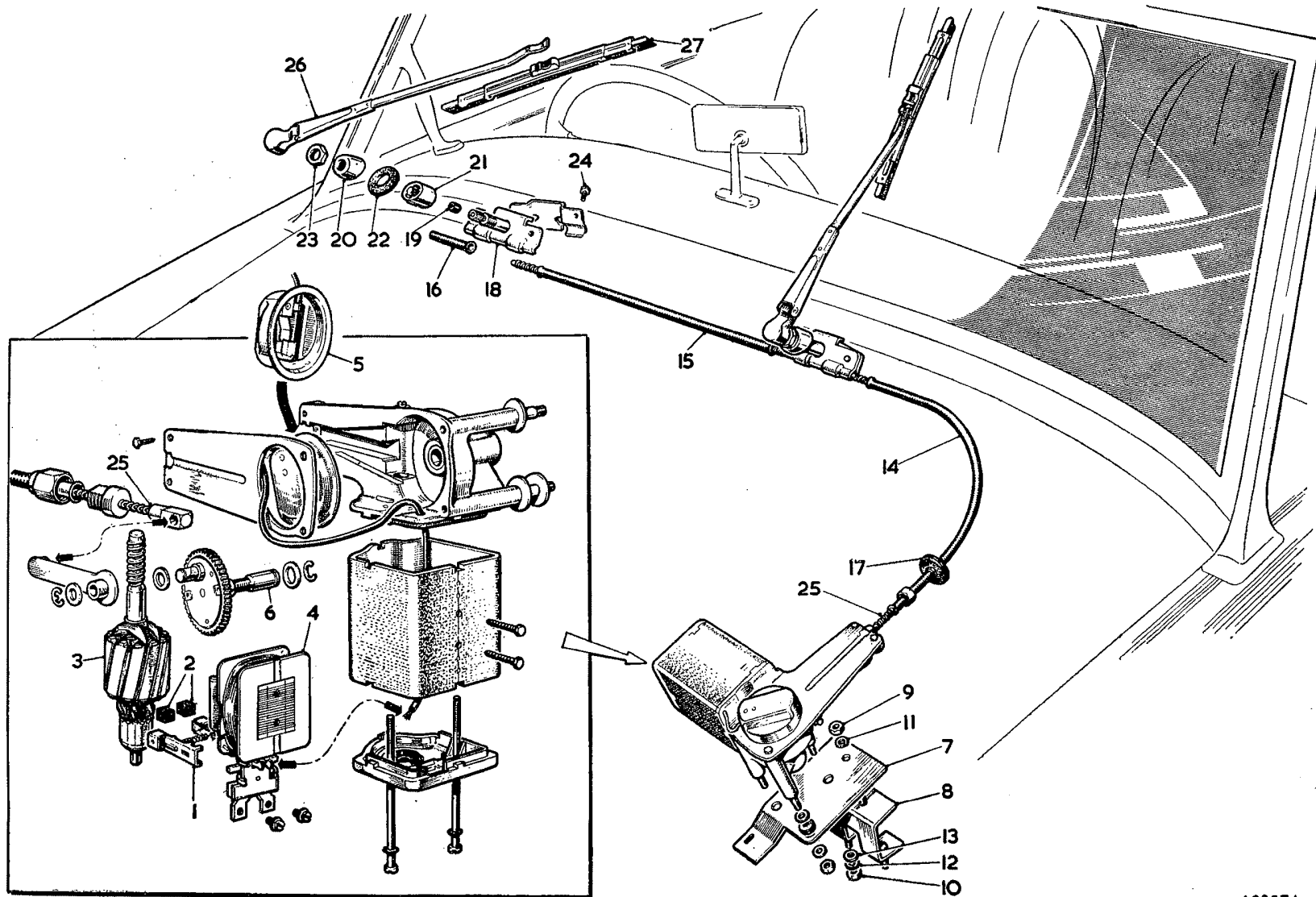


A22808

SERVICE PARTS LIST

THE MGA 1600

Item No.	DESCRIPTION	Commencing (C) 68851		Quantity	MODIFICATIONS		REMARKS
		Part Number	Illus. No.		New Part Number	Change Point	
	FLASHER—HORN						
1	Flasher unit	11G9098	1	1			
2	Screw—flasher unit to dash	PMZ0508	2	2			
3	Washer—spring—screw	LWZ205	3	2			
4	Nut—screw	FNZ105	4	2			
5	Horn—low note	1B9007	5	1			
6	Bracket—horn	AAA2088	6	1			
7	Screw—horn bracket to R/H front extension	HZS0505	7	2			Part No. change; was 135448
8	Nut—screw	FNZ105	8	2			
9	Washer—spring—nut	LWZ205	9	2			
10	Screw—horn to bracket	HZS0407	10	2			
11	Nut—screw	FNZ104	11	2			
12	Washer—spring—nut	LWZ204	12	2			
13	Grommet—horn	ADG1517	13	1			
14	Horn—high note	1B9008		1			
15	Bracket—horn	AAA2107		1			Part No. change; was 135761
16	Screw—horn bracket to L/H front extension	HZS0505		2			
17	Nut—screw	FNZ105		2			
18	Washer—spring—nut	LWZ205		2			
19	Screw—horn to bracket	HZS0407		2			Optional extra
20	Nut—screw	FNZ104		2			
21	Washer—spring—nut	LWZ204		2			
22	Grommet—horn	ADG1517		1			

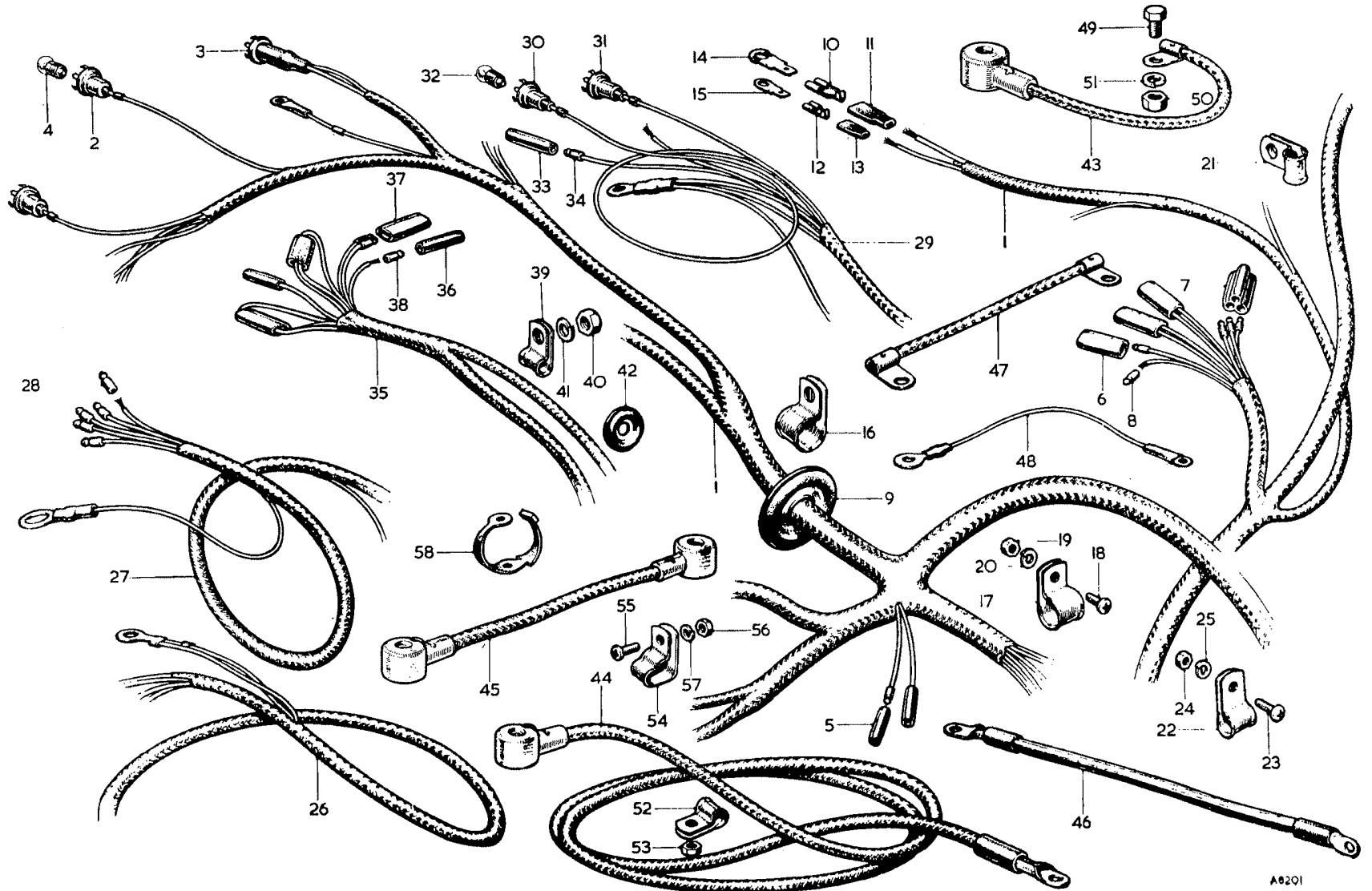


A2987A

SERVICE PARTS LIST

THE MGA 1600

Item No.	DESCRIPTION	Commencing (C) 68851		Quantity	MODIFICATIONS		REMARKS
		Part Number	Illus. No.		New Part Number	Change Point	
	WINDSCREEN WIPER						
1	Motor—wiper	37H5308		1	17H5475		37H5308 not available; use 17H5475
2	Brush gear	17H5306	1	1 set			
3	Brushes	7H5130	2	1 set			
4	Armature	17H5255	3	1			
5	Field coils	17H5432	4	1 set			
6	Fixing parts	17H5431		1 set			
7	Switch—adjusting	17H5442	5	1			
8	Shaft and gear	37H5437	6	1			
9	Sundry parts	17H5441		1 set			
10	Bracket—wiper motor—(upper)	AHH5508	7	1			
11	Bracket—wiper motor—(lower)	AHH5507	8	1			
12	Nut—upper bracket to lower bracket	FNZ104	9	1			
13	Nut—lower bracket to bulkhead	FNZ103	10	2			
14	Washer—spring—upper bracket	LWZ204	11	1			
15	Washer—spring—lower bracket	LWZ203	12	2			
16	Washer—plain—lower bracket	PWZ204	13	2			
17	Casing—wheelbox to motor (outer)	AHH5410	14	1			
18	Casing—wheelbox to wheelbox (outer)	AHH5411	15	1			
19	Casing—short end (outer)	14C3722	16	1			
20	Grommet	8D5708	17	1			
21	Wheelbox assembly	14B5588		2	BHA4151	Com. (C) 80384	14B5588 not available; use BHA4151
22	Spindle and gear	17H5388	18	2	AJH5070		17H5388 not available; use AJH5070
23	Tube—spindle (rubber)	ANK3458	19	2			
24	Bush (front)	ADB826	20	2			
25	Bush (rear)	AHH5414	21	2			
26	Washer (rubber)	ADC560	22	2			
27	Nut	ANK3450	23	2			
28	Screw—cover	AJD3202Z	24	4			
29	Crosshead and rack assembly	37H5160	25	1			Part No. change; was 185025 Part No. change; was 17H5300
30	Arm—wiper	R.H.D. 14B5596	26	2			Part No. change; was 17H5513
31	Arm—wiper	L.H.D. 14B5597		2			Part No. change; was 17H5514
32	Blade—wiper	17H5512	27	2			



A8201

SERVICE PARTS LIST

THE MGA 1600

Item No.	DESCRIPTION	Commencing (C) 68851		Quantity	MODIFICATIONS		REMARKS
		Part Number	Illus. No.		New Part Number	Change Point	
	CABLES AND CONNECTIONS						
1	Harness—main forward	AHH5951	1	1	AHH5979	Com. (C) 74489	AHH5951 not available; use AHH5979
2	Holder—bulb—main beam	37H5181	2	1			
3	Holder—bulb—flasher warning light	37H5181		1			
4	Holder—bulb—ignition warning light	47H5166	3	1			
5	Bulb	BFS987	4	3			
6	Connector—snap—single	2H3406	5	5			
7	Connector—snap—2-way	2H2617	6	3			
8	Connector—snap—3-way	2H4092	7	1			
9	Plug—snap connector	2H2704	8	A/R			
10	Grommet	3H1457	9	1			
11	Connector—Lucar—female (35 amp.)		10	1	47H5419	Com. (C) 74489	
12	Insulator—rubber—connector		11	1	5L289		Part No. change; was 47H5418
13	Connector—Lucar—female (14 amp.)		12	1	47H5496		
14	Insulator—rubber—connector		13	1	5L286		Part No. change; was 47H5417
15	Connector—Lucar—male (35 amp.)		14	1	47H5522		
16	Connector—Lucar—male (14 amp.)		15	1	BMK403		
17	Clip—main harness—dash to body bolt	PCR1011	16	1			
18	Clip—main harness to bulkhead	PCR1007	17	2			
19	Screw—short—clip to bulkhead	PMZ0306	18	2			
20	Screw—long—clip to bulkhead	PMZ0314		1			
21	Nut—screw	FNZ103	19	2			
22	Washer—spring—nut	LWZ203	20	2			
23	Clip—main harness to wing bolt	PCR0811	21	2			
24	Clip—head and sidelamp cable to wing bolt	PCR0811		2			
25	Clip—headlamp cable to front panel	PCR0607	22	3			
26	Screw—clip to front panel	PMZ0308	23	3			
27	Nut—screw	FNZ103	24	3			
28	Washer—spring—nut	LWZ203	25	3			
29	Lead—flasher and headlamp—L/H	AHH5969	26	1			
30	Harness—chassis	AHH5953	27	1			
31	Harness—chassis	AHH6146		1			
32	Plug—snap connector	2H2704	28	A/R			For use when steering lock is fitted
33	Harness—panel	AHH5970	29	1			
34	Harness—panel	AHH6145		1			
35	Holder—bulb—map light	37H5181	30	1			For use when steering lock is fitted
36	Holder—bulb—instrument illumination	37H5181	31	4			
37	Bulb	BFS987	32	5			
38	Connector—snap—single	2H3406	33	2			
39	Plug—snap connector	2H2704	34	A/R			
40	Harness—tail lamp	AHH5954	35	1	AHH6120	Com. (C) 100352	
41	Connector—snap—single	2H3406	36	2			
42	Connector—snap—2-way	2H2617	37	3			
43	Plug—snap connector	2H2704	38	A/R			

SERVICE PARTS LIST

THE MGA 1600

Item No.	DESCRIPTION	Commencing (C) 68851		Quantity	MODIFICATIONS		REMARKS
		Part Number	Illus. No.		New Part Number	Change Point	
	Cables and Connections—continued						
1	Clip—cable to rear number plate bracket.....	PCR0311	39	1			
2	Nut—clip to wing bolt	FNZ105	40	3			
3	Washer—spring—nut	LWZ205	41	3			
4	Grommet—tail lamp harness		42	2	RFN405	Com. (C) 100352	
5	Cable—battery positive to earth	AHH5448	43	1			
6	Cable—battery negative to starter switch	AHH5449	44	1			
7	Link—battery positive to negative	AHH5450	45	1			
8	Cable—starter switch to starter	BHA4183	46	1			
9	Cable—starter switch to starter			1	AHH5814	Com. (C) 91240	Standard model All round disc brakes model
10	Strip—engine to earth	AHH5452	47	1			
11	Cable—fuel pump to earth	N.S.P.	48	1			
12	Screw—battery earth cable	HZS0504	49	1			
13	Nut—screw	FNZ105	50	1			
14	Washer—spring—nut	LWZ205	51	1			
15	Clip—R/H negative cable to starter switch	PCR0609	52	1			
16	Nut—lock—clip to ramp screw	FNZ204	53	1			
17	Clip—tail lamp harness to side member	PCR0407		2			
18	Screw—clip to side member	PMZ0306		2			
19	Nut - screw	FNZ103		2			
20	Washer - spring - nut	LWZ203		2			
21	Clip - battery cable and harness.....	A1115248	54	6			
22	Screw - fixing clip	PMZ0308	55	6			
23	Nut - screw	FNZ103	56	6			
24	Washer - spring - nut	LWZ203	57	6			
25	Clip—rubber	ACH8979	58	3			
26	Harness—horn	AHH5453		1] Optional extra
27	Strap—horn harness	AHH5506		2			
28	Harness—headlamp flasher switch extension	BHA4117		1			
29	Clip—dip switch cable to goal post	PCR0607		1			
30	Screw fixing clip	PTZ806		1			

L.H.D.