

A2273A

SERVICE PARTS LIST

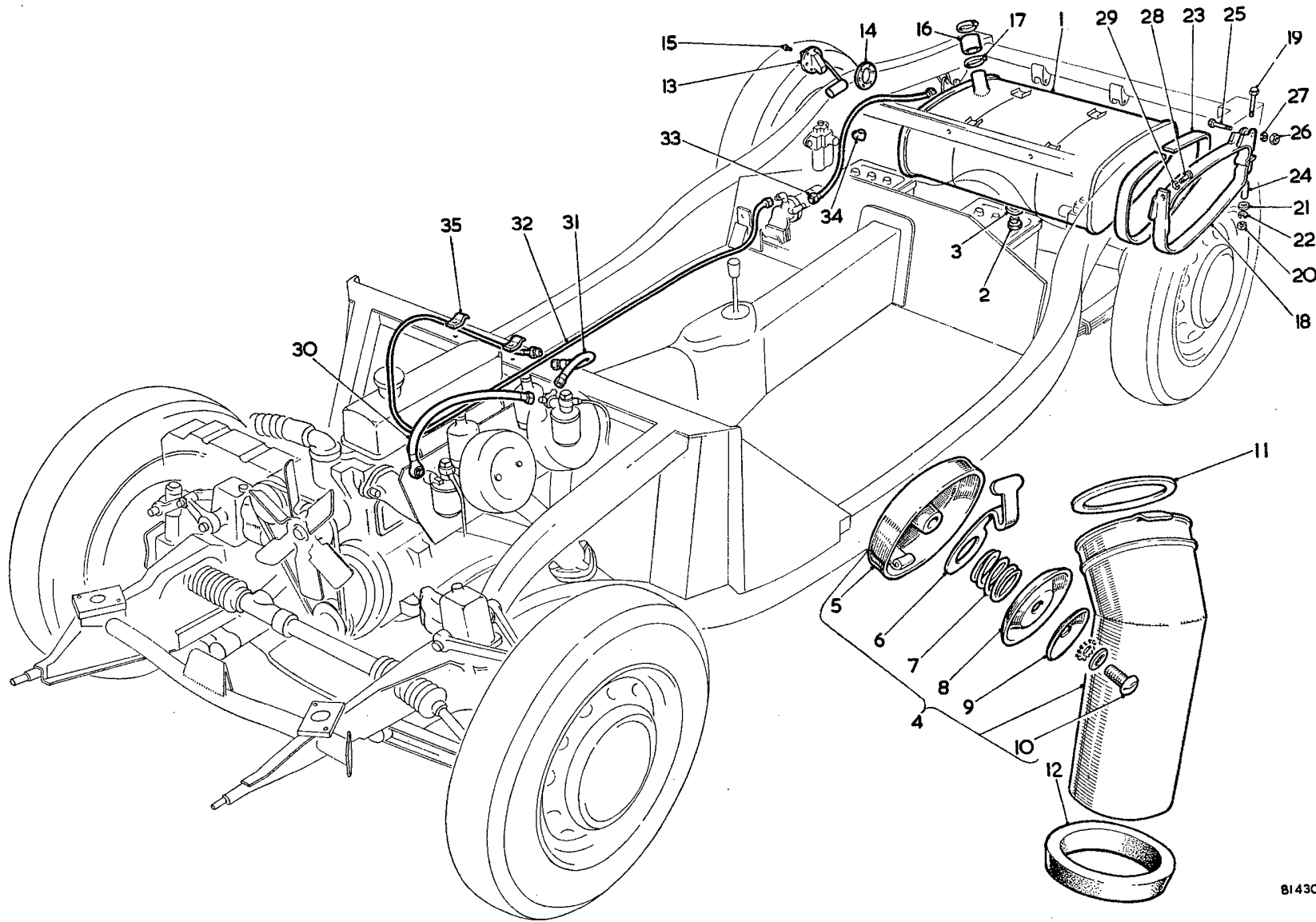
THE MGA 1600

Item No.	DESCRIPTION	Commencing (C) 68851		Quantity	MODIFICATIONS		REMARKS
		Part Number	Illus. No.		New Part Number	Change Point	
	FUEL SYSTEM FUEL PUMP						
1	Pump assembly	AUA54	1	1	AUA154	Com. (C) 100612	AUA54 not available; use AUA154
2	Body	AUA4080	1	1			
3	Union—inlet	AUA887	2	1			
4	Washer—union to body	AUA1405	3	1			
5	Union—outlet	AUA1422	4	1			
6	Washer—union to body	AUA1442	5	1			
7	Cage—valve	AUA1416	6	1	AUA1822		AUA1416 not available; use AUA1822
8	Washer—cage	AUA1479	7	1			
9	Disc—valve	AUA839	8	2			
10	Clip—valve cage	AUA840	9	1			
11	Spring—valve	AUA508	10	1			
12	Filter	AUA1464	11	1			
13	Plug—filter	AUA1421	12	1			
14	Washer—plug	AUA1442	13	1			
15	Joint—body to plate	AUA4082	14	1			
16	Plate—body	AUA4081	15	1			
17	Diaphragm assembly	AUA6012	1	1	AUB6029	Fin. (C) 100611	AUA6012 not available; use AUB6029
18	Diaphragm assembly		1	1	AUB6004] Com. (C) 100612] Alternatives] Not available; use AUB6071 Not available; use AUB6097
19	Diaphragm assembly		1	1	AUB6015		
20	Diaphragm assembly		1	1	AUB6071		
21	Joint		1	1	AUB706		
22	Diaphragm assembly		1	1	AUB6097		
23	Joint		1	1	AUB706		
24	Washer—impact—diaphragm		1	1	AUA1447		For use with diaphragm AUB6015
25	Roller	AUA1433	17	11			
26	Spring—armature	AUA1785	18	1			
27	Spring—armature	AUA875	1	1	AUB521	Com. (C) 100612	Use with AUA6003 AUA875 not] Use available;] with use AUB521] AUA6017 Not available; use AUA6017 with AUA875 or AUB521
28	Housing—coil	AUA6003		1			
					AUA6017	Fin. (C) 13830	Not available; use 88G235 with AUB6004 or 88G235 with AUB6015 and AUA1447
					88G235 AUB6007	Com. (C) 13831 Com. (C) 100612	Part No. change; was AUB6007
29	Tag—5 B.A. terminal	AUA1455	20	1			
30	Tag—2 B.A. terminal	AUA1456	21	1			
31	Screw—earth	AUA4850	22	1	AUA009] Com. (C) 100612	
32	Washer—spring—screw	AUA1863	23	2	AUA585		
33	Screw—housing to body	AUA4083	24	6			

SERVICE PARTS LIST

THE MGA 1600

Item No.	DESCRIPTION	Commencing (C) 68851		Quantity	MODIFICATIONS		REMARKS
		Part Number	Illus. No.		New Part Number	Change Point	
	Fuel System—continued						
	Fuel Pump—continued						
1	Rocker and blade	AUA6020	25	1		Fin. (C) 100611	
2	Rocker and blade		25	1	AUA6021] Com. (C) 100612] Alternatives
3	Rocker and blade		25	1	AUB6022		
4	Blade	AUA6032	26	1	AUA6036		
5	Tag—2 B.A. terminal	AUA1456	27	1			
6	Screw—blade	AUA847	28	1			
7	Washer—spring—screw	AUA868	29	1			
8	Spindle—contact breaker	AUA1435	30	1			
9	Pedestal	AUB6034	31	1			
10	Screw—pedestal to housing	AUA1459	32	2			
11	Washer—spring—screw	AUA1863	33	2			
12	Screw—terminal	AUA1468	34	1			
13	Washer—spring—screw	AUA1863	35	1			
14	Washer—lead—screw	AUA1662	36	1			
15	Nut—recessed—screw	AUA1661	37	1			
16	Condenser	AUA5060	38	1			
17	Clip—condenser	AUA5059	39	1			
18	Cover—end	AUA5078	40	1			
19	Nut—cover	AUA878	41	1			
20	Knob—terminal	AUA869	42	1			
21	Sleeve—rubber	AUA504		1			
22	Elbow—pump	AUA1478	43	2			
23	Nut—elbow	AAA17	44	2			
24	Olive—elbow	AUA1486	45	2			Part No. change was 2715
25	Bracket—pump to frame	AAA1477	46	1			Part No. change was 2718 and
26	Rubber—bracket	AAA260	47	2			AAA18
27	Screw—pump to bracket	AJD6155Z	48	2			Part No. change was 128355
28	Washer—spring—screw	LWZ204	49	2			Part No. change was 53626
29	Bolt—pump mounting	HBZ0409	50	2			
30	Washer—bolt (special)	AJD7212	51	2			
31	Nut—bolt	FNZ104	52	2			
32	Locknut—bolt	FNZ204	53	2			
33	Cover—fuel pump	ACG5147	54	1		Fin. (C) 93225	

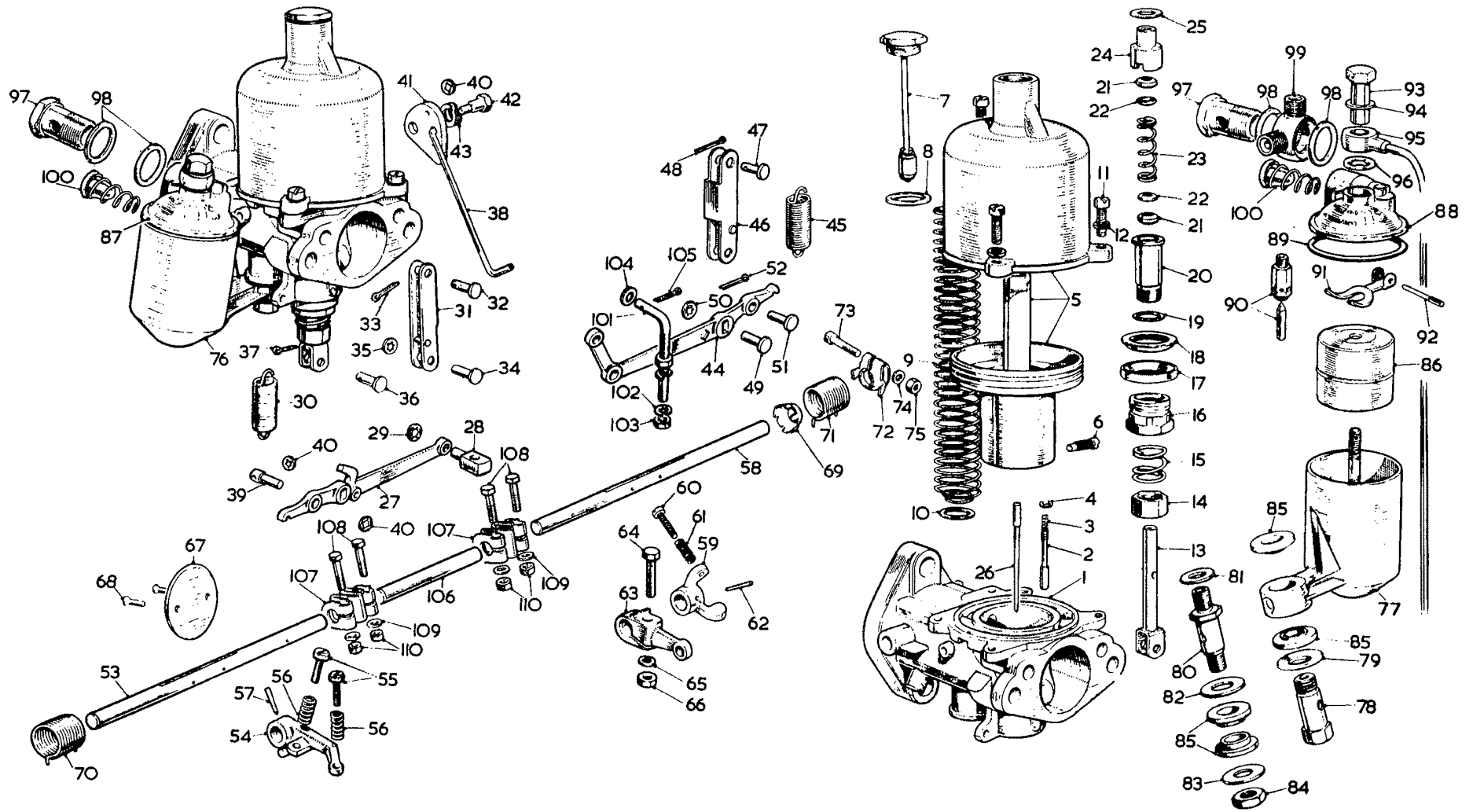


81430

SERVICE PARTS LIST

THE MGA 1600

Item No.	DESCRIPTION	Commencing (C) 68851		Quantity	MODIFICATIONS		REMARKS
		Part Number	Illus. No.		New Part Number	Change Point	
	FUEL TANK						
1	Tank—fuel	AHH5121	1	1			
2	Plug	AHH5605	2	1			
3	Joint—plug	AHH5606	3	1			
4	Extension—filler	AHH5104	4	1			
5	Cap—filler	ACH5781	5	1			
6	Lever—filler cap	97H474	6	1			
7	Spring—release	97H2048	7	1			
8	Plate—sealing	97H2049	8	1			
9	Washer—dished	97H2050	9	1			
10	Screw—cap to filler	97H2056	10	1			
11	Ring—sealing	ACH5850	11	1			
12	Ferrule—filler extension (rubber)	ACH5780	12	1			
13	Unit attachment—tank	AHH5114	13	1			
14	Gasket—tank attachment (cork)	2H1082	14	1			Part No. change was ACB5468
15	Screw—tank unit to tank	ACA5127	15	6	ARG923		ACA5127 not available; use ARG923
16	Hose—filler connection	AHH5286	16	1			
17	Clip—hose	95482	17	2	HCS1622		95482 not available; use HCS1622
18	Strap and mounting assembly	AHH5107	18	2			
19	Bolt	HBZ0422	19	2			
20	Nut	LNZ104	20	2			
21	Washer—plain	PWZ104	21	2			
22	Washer—spring	LWZ204	22	2			
23	Strap—packing—tank mounting (100°)	AHH5115	23	1			
24	Distance piece—rear mounting	AHH5113	24	2			
25	Bolt—rear mounting	HBZ0416	25	2			
26	Nut—bolt	FNZ104	26	2			
27	Washer—spring—screw	LWZ204	27	2			
28	Screw—front mounting	HZS0505	28	2			
29	Washer—spring—screw	LWZ205	29	2			
	FUEL PIPES						
30	Pipe—between carburetors (flexible)	ACH8977	30	1			
31	Pipe—main pipe to carburetor (flexible)	AHH5544	31	1			
32	Pipe assembly—fuel pump to carburetor	AHH5288	32	1			Part No. change was AHH5280
33	Pipe assembly—tank to fuel pump	AHH5290	33	1			Part No. change was ATH15291
34	Clip—pipe to rear shock absorber bolt	AAA301	34	1			Part No. change was 54516
35	Clip—fuel pipe to bulkhead	CHR0511	35	2	PCR0511		Always supply PCR0511



A3208A

SERVICE PARTS LIST

THE MGA 1600

Item No.	DESCRIPTION	Commencing (E) 16GA/H101		Quantity	MODIFICATIONS		REMARKS
		Part Number	Illus. No.		New Part Number	Change Point	
	CARBURETTER						
1	Carburetter installation	AUC943		1 pair			
2	Carburetter assembly—front	AUC9066		1			
3	Carburetter assembly—rear	AUC9067		1			
4	Body—front carburetter	AUD9045		1			Part No. change; was AUC6031
5	Body—rear carburetter	AUC6033	1	1			
6	Pin—piston lifting	AUC1249	2	2			
7	Spring—pin	AUC1151	3	2			
8	Circlip—pin	AUC1250	4	2			
9	Chamber and piston assembly	AUC8052	5	2			
10	Screw—needle locking	AUC2057	6	2			
11	Cap and damper assembly	AUC8114	7	2			
12	Washer—fibre—cap	AUC4900	8	2			
13	Spring—red—piston	AUC4387	9	2			
14	Washer—plain—spring	AUC3071	10	2			
15	Screw—chamber to body	AUC2175	11	6			
16	Washer—spring—screw	LWZ303	12	6			Part No. change; was AUC2240
17	Jet assembly	AUC8182	13	2			
18	Nut—adjusting	AUC2121	14	2			
19	Spring—adjusting nut	AUC2114	15	2			
20	Nut—gland sealing	AUC3232	16	2			
21	Ring—sealing—aluminium	AUC2117	17	2			
22	Ring—sealing—cork	AUC2118	18	2			
23	Washer—bottom bearing—copper	AUC3233	19	2			
24	Bearing—bottom	AUC3231	20	2			
25	Washer—gland—cork	AUC2120	21	4			
26	Washer—gland—brass	AUC2119	22	4			
27	Spring—gland	AUC1158	23	2			
28	Bearing—top	AUC3230	24	2			
29	Washer—top bearing—copper	AUC2122	25	2			
30	Needle—No. 6—standard—jet	AUD1005	26	2			
31	Needle—RO—rich—jet	AUD1295		2			
32	Needle—AO—weak—jet	AUD1045		2			
33	Lever—jet—front carburetter	AUC5091	27	1			
34	Trunnion—lever	AUC4196	28	1			
35	Washer—starlock—trunnion	AUC5004	29	1			
36	Spring—jet lever return	AUC4667	30	1			
37	Link assembly—jet lever	AUE373	31	1			Part No. change; was AUCH819
38	Pin—link to body	AUC2331	32	1			
39	Split pin—pin	CPS0204	33	1			Part No. change; was AUC2109
40	Pin—link to lever	AUC2331	34	1	AUC5009] Com. (E) not available	
41	Washer—starlock—pin		35	1	AUC5004		
42	Pin—lever to jet	AUC2331	36	1			
43	Split pin—pin	CPS0204	36	2/1			Quantity reduced at (E) not available. Part No. change; was AUC2109

SERVICE PARTS LIST

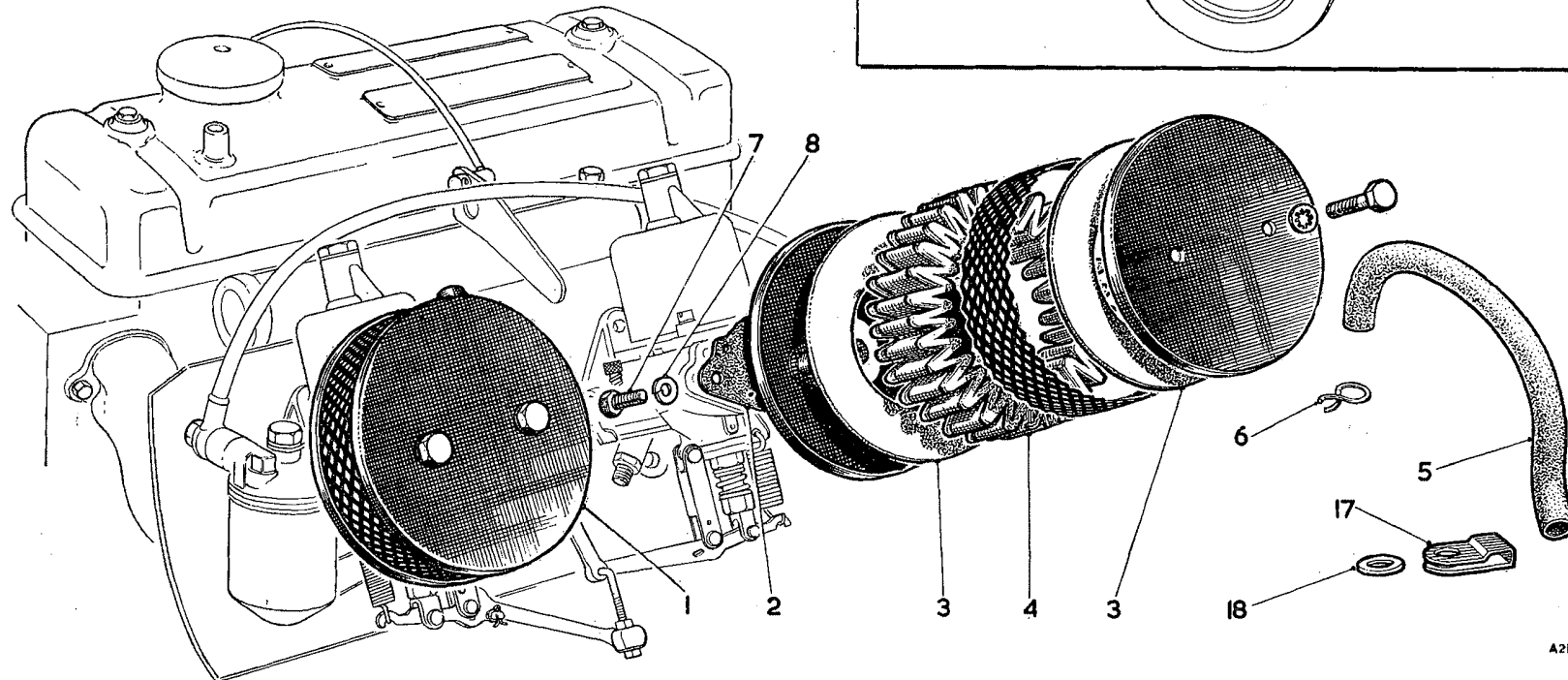
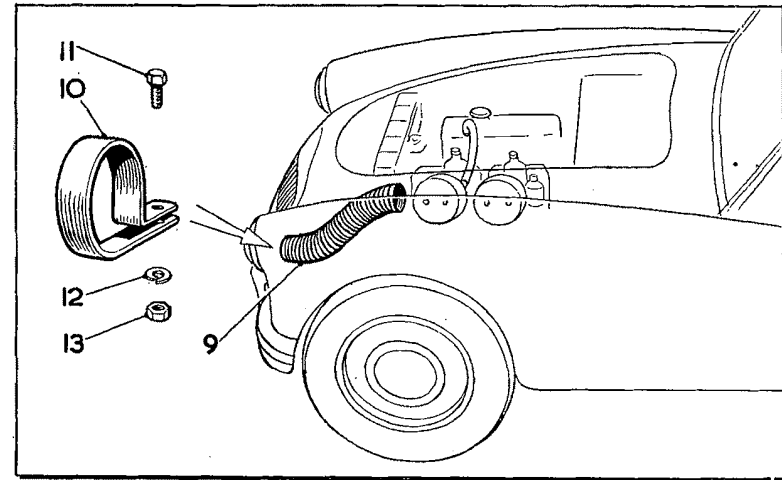
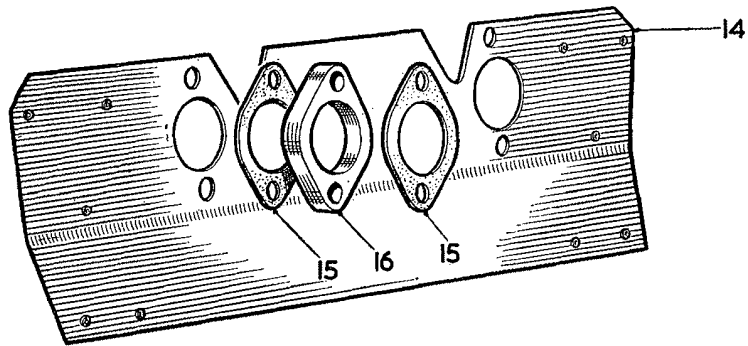
THE MGA 1600

Item No.	DESCRIPTION	Commencing (E) 16GA/H101		Quantity	MODIFICATIONS		REMARKS
		Part Number	Illus. No.		New Part Number	Change Point	
	Carburettor—continued						
1	Link—tension	AUC4732	38	1			
2	Swivel pin—link to lever	AUC5011	39	1			
3	Washer—starlock—link and swivel pin	AUC5002	40	3			
4	Cam plate	AUC4730	41	1			
5	Bolt—pivot—cam plate	AUC3471	42	1			
6	Washer—spring—bolt	AUC3472	43	1			
7	Lever—jet—rear carburettor	AUC5092	44	1			
8	Spring—jet lever return	AUC4667	45	1			
9	Link assembly—jet lever	AUC4819	46	1			
10	Pin—link to body	AUC2381	47	1			
11	Split pin—pin	AUC2109	48	1			
12	Pin—link to lever	AUC2381	49	1	AUC5009] Com. (E) not available	
13	Washer—starlock—pin		50	1	AUC5004		
14	Pin—lever to jet	AUC3281	51	1			
15	Split pin—pin	CPS0204	52	2/1			Quantity reduced at (E) not available; Part No. change; was AUC2109
16	Spindle throttle front carburettor	AUC3242	53	1			
17	Lever—stop—throttle	AUC4712	54	1			
18	Screw—stop adjusting	AUC2521	55	2			
19	Spring—screw	AUC2451	56	2			
20	Pin—throttle stop lever	AUC2106	57	1			
21	Spindle—throttle rear carburettor	AUC3242	59	1			
22	Lever—stop—throttle	AUC2198	59	1			
23	Screw—stop adjusting	AUC2521	60	1			
24	Spring—screw	AUC2451	61	1			
25	Pin—throttle stop lever	AUC2106	62	1			
26	Lever—throttle	AUC1501	63	1			
27	Bolt—lever	AJD1042	64	1			
28	Washer—spring bolt	LWZ303	65	1			Part No. change; was AUC2694
29	Nut—bolt	AUC2156	66	1			Part No. change; was AUC2246
30	Disc—throttle	AUC3116	67	2			
31	Screw—disc	AUC1358	68	4			
32	Plate—return spring anchor	AUC4770	69	2			
33	Spring—throttle return—front carburettor	AUC4781	70	1			
34	Spring—throttle return—rear carburettor	AUC4782	71	1			
35	Clip—return spring	AUC4771	72	2			
36	Bolt—clip	AUC2669	73	2			
37	Washer—plain—bolt	AUC4612	74	2			
38	Nut—bolt	AJD8014Z	75	2			
39	Chamber—float—front carburettor	AUC3496	76	1			Part No. change; was AUC2673
40	Chamber—float—rear carburettor	AUC3495	77	1			
41	Bolt—chamber to body	AUC1335	78	2] Fin. (E) not available	
42	Washer—fibre—bolt	AUC2130	79	2			

SERVICE PARTS LIST

THE MGA 1600

Item No.	DESCRIPTION	Commencing (E) 16GA/H101		Quantity	MODIFICATIONS		REMARKS
		Part Number	Illus. No.		New Part Number	Change Point	
	Carburettor—continued						
1	Pillar—banjo		.80	2	AUC1387] Com. (E) not available	
2	Washer—pillar		.81	2	AUC1384		
3	Washer—inner		.82	2	AUC1389		
4	Washer—outer		.83	2	AUC1388		
5	Nut—lock		.84	2	AJD8296Z		
6	Grommet—rubber	AUC1534	.85	4			
7	Float	AUC1123	.86	2			
8	Lid—float chamber—front carburettor	AUC4261	.87	1	AUD2284		AUC 4261 not available; use AUD2284 together with 1 off AUD2285 lever
9	Lid—float chamber—rear carburettor	AUC4260	.88	1			
10	Washer—lid	AUC1147	.89	2			
11	Needle and seat assembly	AUC8170	.90	2			
12	Lever—hinged	AUC1980	.91	2			For use with AUC4260/I LID
13	Lever—hinged			1	AUD2285		For use with AUD2284 LID
14	Pin—hinged lever	AUC1152	.92	2			
15	Cap nut—lid	AUC1867	.93	2			
16	Washer—aluminium—nut	AUC1557	.94	2			
17	Banjo vent and drain pipe	AUC3202	.95	2			
18	Washer—fibre	AUC1928	.96	2			
19	Bolt—banjo	AUC2698	.97	2			
20	Washer—fibre—bolt	AUC2141	.98	4			
21	Union—banjo—double—rear carburettor	AUC1832	.90	1			
22	Filter	AUC2139	100	2			
23	Rod—link	AUC4915	101	1			
24	Washer—spring—rod	AUC1863	102	2			
25	Nut—rod	AJD8012Z	103	2			Part No. change; was AUC2156
26	Washer—brass	AUC1006	104	1			
27	Split pin—rod	CPS0204	105	1			Part No. change; was AUC2109
28	Rod—throttle connecting	AUC2402	106	1			
29	Coupling—rod	AUC4334	107	2			
30	Bolt—coupling	AUC2669	108	4			
31	Washer—bolt	AUC4612	109	4			
32	Nut—bolt	AJD8014Z	110	4			Part No. change; was AUC2673



A2197B

SERVICE PARTS LIST

THE MGA 1600

Item No.	DESCRIPTION	Commencing (C) 68851		Quantity	MODIFICATIONS		REMARKS
		Part Number	Illus. No.		New Part Number	Change Point	
	AIR CLEANER						
1	Cleaner—air (front)	AHH5147	1	1			
2	Cleaner—air (rear)	AHH5148	1	1			
3	Joint—air cleaner	ACG5184	2	2			
4	Pad—insert	AHH5441	3	4			
5	Element	AHH5442	4	2			
6	Pipe—air cleaner (rubber)	AHH5149	5	1			
7	Clip—pipe	ACA5290	6	2			
8	Screw—cleaner to carburetter	HZS0506	7	4			
9	Washer—spring—screw	LWZ205	8	4			
	AIR INTAKE HOSE						
10	Hose—carburetter cooling air intake	AHH5394	9	1			
11	Clip—air intake hose	AHH5714	10	1			
12	Screw—hose clip to radiator duct	PMZ0816	11	1			
13	Washer—spring screw	LWZ203	12	1			
14	Nut—screw	FNZ103	13	1			
	HEAT SHIELD						
15	Shield—heat	AHH15533	14	1			
16	Joint—heat shield and carburetters	AHH1551	15	6			
17	Washer—carburetter insulating	AHH15713	16	2			
18	Clip—carburetter drain pipe	AHH1550	17	1			
19	Washer—clip	PWZ104	18	1			