

SERVICE PARTS LIST

THE M.G. Series MGA 1500

Item No.	DESCRIPTION	Commencing (C) I0101		Qty. per Vehicle		Unit of Issue	Type of Vehicle	MODIFICATIONS			REMARKS	
		Part Number	Illus. No.	RHD	LHD			New Part Number	Change Point	Amdt. No.		
BODY ASSEMBLY												
1	Body—painted and trimmed	AFH872		1			Tourer					
2	Body—painted and trimmed	AFH873			1							
3	Body—primed and trimmed	AFH2685		1								
4	Body—primed and trimmed	AFH2686			1		Coupé					
5	Body—painted and trimmed	AFH3800		1								
6	Body—painted and trimmed	AFH3801			1							
BODY SHELL												
7	Shell—body	AFH2700		1			Tourer					
8	Shell—body	AFH2701			1							
9	Front end assembly	AFH5484		1	1							
10	Panel—bonnet surround	AFH1520	R1	1	1							
11	Front side assembly—R/H	AFH4894	R2	1	1							
12	Front side assembly—L/H	AFH4895	R3	1	1							
13	Bonnet surround reinforcement	AFH1521	R4	1	1							
14	Panel assembly—front bulkhead	AFH1524	R5	1	1							
15	Panel—radiator duct	AFH1900	R6	1	1							
16	Box assembly—R/H air duct	AFH1502		1	1							
17	Box assembly—L/H air duct	AFH1503	R7	1	1							
18	Strip—front bulkhead packing	AFH1794	R8	1	1							
19	Tube—air duct	AFH1527	R9	2	2							
20	Panel—front valance	AFH1896	R10	1	1							
21	Screw fixing panel	AFH2587	R11	14	14							
22	Washer for screw (spring)	LWZ203	R12	14	14							
23	Washer for screw (plain)	PWZ203	R13	14	14							
24	Bracket—bonnet lock safety catch	AFH1767	R14	1	1							
25	Screw fixing bracket	AFH2587	R15	2	2							
26	Washer for screw (spring)	LWZ203	R16	2	2							
27	Washer for screw (plain)	PWZ203	R17	2	2							
28	Panel assembly—bonnet lid	AFH4880	R18	1	1							
29	Safety catch assembly	14A366	R19	1	1							
30	Batten—bonnet lid stiffening	AFH2462	R20	1	1				AFH4879	Com. (C) 26681		
31	Tonneau assembly	AFH1754		1	1							
32	Tonneau sub-assembly	AFH1870		1	1							
33	Tonneau panel	AFH1871	R21	1	1							
34	Floor assembly—boot	AFH1874	R22	1	1							
35	Dzus spring	7H9828	R23	5	5							
36	Reinforcement assembly—tonneau	AFH1579	R24	1	1							
37	Panel assembly—rear bulkhead	AFH1585	R25	1	1							
38	Panel assembly—battery cover	AFH1663	R26	1	1							
39	Dzus fastener	7H9827	R27	5	5							
40	Screw fixing rear bulkhead panel	PMZ0308	R28	2	2							
41	Nut for screw	FNZ103	R29	2	2							
42	Washer for nut (spring)	LWZ203	R30	2	2							
43	Lid assembly—boot	AFH1577	R31	1	1							

SERVICE PARTS LIST

THE M.G. Series MGA 1500

Item No.	DESCRIPTION	Commencing (C) 10101		Qty. per Vehicle		Unit of Issue	Type of Vehicle	MODIFICATIONS			REMARKS
		Part Number	Illus. No.	RHD	LHD			New Part Number	Change Point	Amdt. No.	
	Body Shell—continued										
1	Sill reinforcement and pillar assembly—R/H	AFH1620	R32	1	1						
2	Sill reinforcement and pillar assembly—L/H	AFH1621	R33	1	1						
3	Panel—sill inner R/H	AFH1656	R34	1	1						
4	Panel—sill inner L/H	AFH1657	R35	1	1						
5	Plate—sill sealing R/H	AFH1658	R36	1	1						
6	Plate—sill sealing L/H	AFH1659	R37	1	1						
7	Panel—sill outer R/H	AFH2624	R88	1	1						
8	Panel—sill outer L/H	AFH2625	R39	1	1						
9	Pillar top extension—R/H door hinge	AFH1624	R40	1	1						
10	Pillar top extension—L/H door hinge	AFH1625	R41	1	1						
11	Backing plate—R/H hinge pillar extension	AFH1626	R42	1	1						
12	Backing plate—L/H hinge pillar extension	AFH1627	R43	1	1						
13	Facing panel—R/H shut pillar	AFH898	R44	1	1						
14	Facing panel—L/H shut pillar	AFH899	R45	1	1						
15	Screw fixing facing panel—side	RPZ0310	R46	6	6						
16	Screw fixing facing panel—bottom	RTZ804	R47	4	4						
17	Screw fixing facing panel—top	CTZ804	R48	4	4						
18	Finisher—sill lower		R49	2	2						
19	Bolt fixing sill finisher (special)		R50	10	10						
20	Nut for bolt		R51	10	10		Tourer	AFH3752 AFH3753 FNZ103] Com. (C) 18949		
21	Lock washer for nut		R52	10	10			LWZ403			
22	Washer for nut (plain)		R53	10	10			PWZ203			
23	Door assembly—R/H	AFH1666	R54	1	1						
24	Door assembly—L/H	AFH1667	R55	1	1						
25	Stiffener—door casing	AFH1899	R56	2	2						
26	Hinge—door R/H	AFH1404	R57	2	2] Fin. (C) 56068		
27	Hinge—door L/H	AFH2805	R58	2	2						
28	Hinge—door			4	4						
29	Packing—door hinge		R59	4	4			AFH5822] Com. (C) 56069		
30	Plate—tapping	AFH1464	R60	4	4			AFH5827			
31	Screw fixing hinge	CPZ0412	R61	32	32						
32	Washer for screw (plain)	PWZ204	R62	16	16						
33	Washer for screw (spring)	LWZ204	R63	16	16						
34	Nut for screw	FNZ104	R64	16	16						
35	Wing assembly—R/H front	AFH1690	R65	1	1						
36	Wing assembly—L/H front	AFH1691	R66	1	1						
37	Wing panel—R/H rear	AFH1768	R67	1	1						
38	Wing panel—L/H rear	AFH1769	R68	1	1						
39	Piping—front wing	AFH1692	R69	2	2						
40	Piping—rear wing	AFH1693	R70	2	2						

SERVICE PARTS LIST

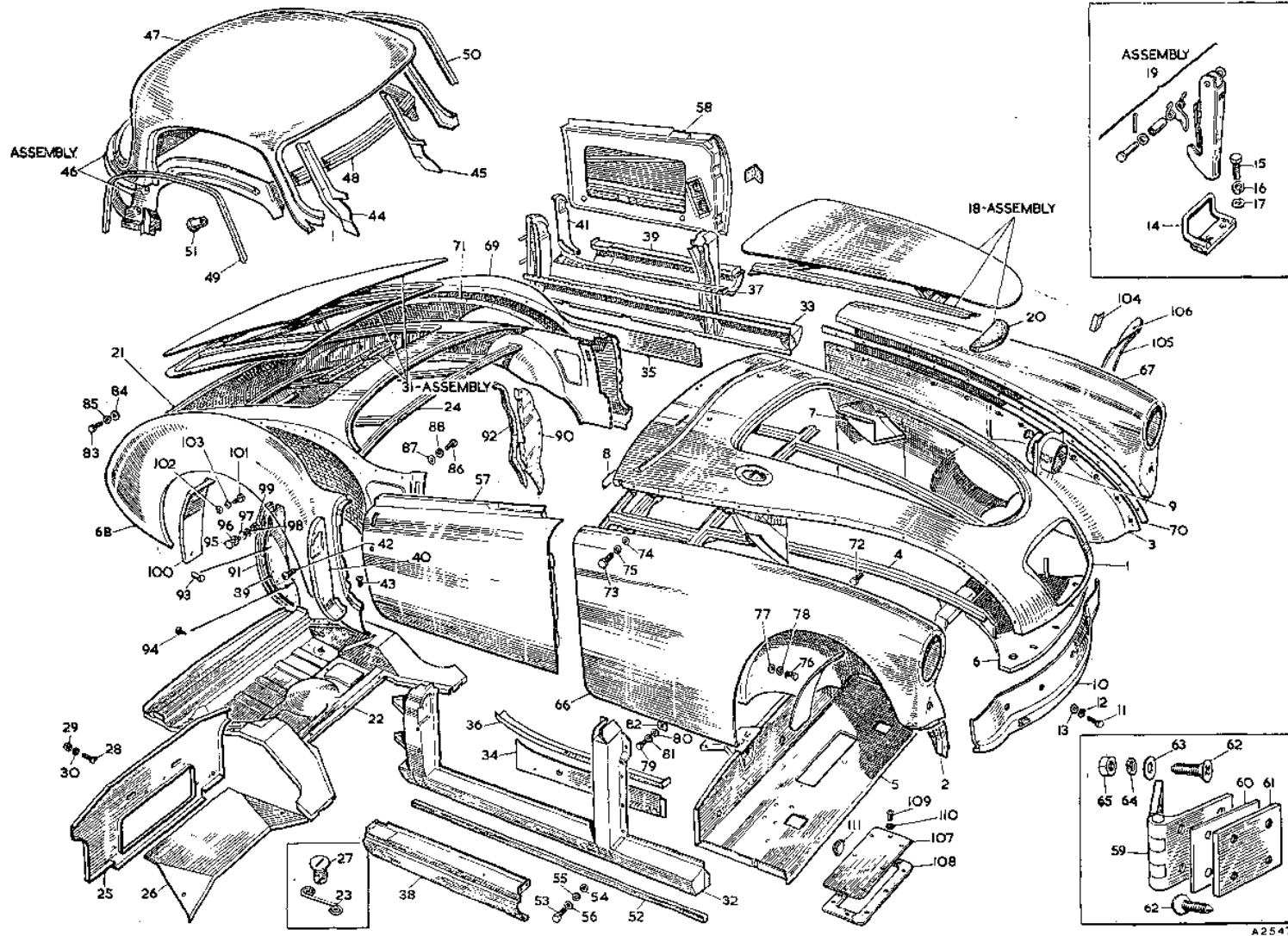
THE M.G. Series MGA 1500

Item No.	DESCRIPTION	Commencing (C) 10101		Qty. per Vehicle		Unit of Issue	Type of Vehicle	MODIFICATIONS			REMARKS
		Part Number	Illus. No.	RHD	LHD			New Part Number	Change Point	Amdt. No.	
	Body Shell—continued										
1	Washer plate for front wing fixings	AFH2627		22	22						
2	Screw fixing front wing to body	HPZ0508	R71	21	21						
3	Screw fixing front wing to body	HPZ0510	R72	5	5						
4	Screw fixing wing closing plate to body	HPZ0408		2	2						
5	Washer for screw (plain)	PWZ205	R73	2	2						
6	Washer for screw (spring)	LWZ205	R74	26	26	24					
7	Washer for screw (plain)	PWZ105		2	2						
8	Screw fixing wing closing plate to body	HPZ0406	R75	8	8						
9	Washer for screw (plain)	PWZ204	R76	8	8						
10	Washer for screw (spring)	LWZ204	R77	8	8						
11	Packing—front wing	AFH3840		2	2						
12	Washer plate for rear wing fixing	AFH2627		20	20						
13	Screw fixing front wing to sill	AFH2587	R78	6	6						
14	Washer for screw (plain)	PWZ203	R79	6	6						
15	Washer for screw (spring)	LWZ203	R80	6	6						
16	Washer plate for front wing—lower	AFH2546	R81	6	6						
17	Screw fixing rear wing to body	HPZ0508	R82	22	22						
18	Washer for screw (plain)	PWZ205	R83	2	2						
19	Washer for screw (spring)	LWZ205	R84	22	22	24					
20	Screw fixing rear wing to sill	AFH2587	R85	4	4						
21	Washer for screw (plain)	PWZ203	R86	4	4		Tourer				
22	Washer for screw (spring)	LWZ203	R87	4	4						
23	Washer plate for rear wing—lower	AFH2546		4	4						
24	Splash plate—rear wing R/H front		R88	1	1						
25	Splash plate—rear wing L/H front			1	1						
26	Seal—splash plate—R/H (rubber)		R89	1	1						
27	Seal—splash plate—L/H (rubber)			1	1						
28	Rivet—seal to plate		R90	22	22						
29	Screw fixing lower plate		R91	4	4						
30	Screw fixing plate to body		R92	4	4						
31	Washer for screw (plain)		R93	4	4						
32	Washer for screw (plain)		R94	4	4						
33	Washer for screw (spring)		R95	4	4						
34	Nut for screw		R96	4	4						
35	Splash plate assembly—R/H rear wing	AFH1704	R97	1	1						
36	Splash plate assembly—L/H rear wing	AFH1705		1	1						
37	Screw fixing rear splash plate	HZS0405	R98	8	8						
38	Washer for screw (plain)	PWZ204	R99	8	8						
39	Washer for screw (spring)	LWZ204	R100	8	8						
40	Bracket assembly—front wing splash plate	AFH1700	R101	2	2						
41	Seal—R/H front splash plate (rubber)	AFH1710		1	1						
42	Seal—L/H front splash plate (rubber)	AFH1711	R102	1	1						

SERVICE PARTS LIST

THE M.G. Series MGA 1500

Item No.	DESCRIPTION	Commencing (C) 10101		Qty. per Vehicle		Unit of Issue	Type of Vehicle	MODIFICATIONS			REMARKS
		Part Number	Illus. No.	RHD	LHD			New Part Number	Change Point	Amdt. No.	
	Body Shell—continued										
1	Splash plate—R/H front wing	AFH1702		1	1		Tourer				
2	Splash plate—L/H front wing	AFH1703	R103	1	1						
3	Screw fixing front splash plate	HZS0405		4	4						
4	Washer for screw (plain)	PWZ204		4	4						
5	Washer for screw (spring)	LWZ204		4	4						
6	Washer plate—splasher to front wing	AFH2546		2	2						
7	Screw fixing splasher to front wing	AFH2587		2	2						
8	Nut for screw	FNZ103		2	2						
9	Washer for nut (spring)	LWZ203		2	2						
10	Cover-plate—heater aperture	AHH5252	R104	1	1						
11	Gasket—heater sealing	AHH5253	R105	2	2						
12	Screw fixing cover-plate	FPZ0310	R106	8	8						
13	Washer for screw (spring)	LWZ203	R107	8	8						
14	Grommet—blanking valve control	4G2541	R108	1	1						
15	Screw fixing front wing splash to body	HPZ0405		12	12						
16	Washer for screw (spring)	LWZ204		12	12						
17	Washer for screw (plain)	PWZ204		12	12						



SERVICE PARTS LIST

THE M.G. Series MGA 1500

Item No.	DESCRIPTION	Commencing (C) 20671		Qty. per Vehicle		Unit of Issue	Type of Vehicle	MODIFICATIONS			REMARKS
		Part Number	Illus. No.	RHD	LHD			New Part Number	Change Point	Amdt. No.	
	Body Shell—continued										
1	Shell—body—primed.....	AFH5828		1							
2	Shell—body—primed.....	AFH5829			1						
3	Shell—body—primed.....	AFH5485		1	1						
	Front end assembly										
4	Panel assembly—bonnet surround.....	AFH3866	RA1	1	1						
5	Panel—bonnet surround.....	N.S.P.		1	1						
6	Front side assembly—R/H.....	AFH4896	RA2	1	1						
7	Front side assembly—L/H.....	AFH4897	RA3	1	1						
8	Bonnet surround reinforcement.....	AFH3887	RA4	1	1						
9	Panel assembly—front bulkhead.....	AFH1524	RA5	1	1						
10	Panel—radiator duct.....	AFH900	RA6	1	1						
11	Box assembly—R/H air duct.....	AFH1502		1	1						
12	Box assembly—L/H air duct.....	AFH1503	RA7	1	1						
13	Strip—front bulkhead packing.....	AFH1794	RA8	1	1						
14	Tube—air duct.....	AFH1527	RA9	2	2						
15	Panel—front valance.....	AFH1896	RA10	1	1						
16	Screw fixing panel.....	AFH2587	RA11	14	14						
17	Washer for screw (spring).....	LWZ203	RA12	14	14						
18	Washer for screw (plain).....	PWZ203	RA13	8	8						
19	Washer—plate.....	AFH2546		6	6						
20	Bracket—bonnet lock safety catch.....	AFH1767	RA14	1	1		Coupe				
21	Screw fixing bracket.....	AFH2587	RA15	2	2						
22	Washer for screw (spring).....	LWZ203	RA16	2	2						
23	Washer for screw (plain).....	PWZ203	RA17	2	2						
24	Panel assembly—bonnet lid	AFH4880	RA18	1	1						
25	Safety catch assembly.....	14A366	RA19	1	1						
26	Batten—bonnet lid stiffening.....	AFH2462	RA20	1	1			AFH4879	Com. (C) 26681		
27	Tonneau assembly	AFH3878		1	1						
28	Tonneau sub-assembly	AFH3879		1	1						
29	Tonneau panel.....	AFH3881	RA21	1	1						
30	Floor assembly—boot	AFH1874	RA22	1	1						
31	Dzus spring.....	7H9828	RA23	5	5						
32	Reinforcement assembly—tonneau.....	AFH3880	RA24	1	1						
33	Panel assembly—rear bulkhead.....	AFH3820	RA25	1	1						
34	Panel assembly—battery cover	AFH1663	RA26	1	1						
35	Dzus fastener.....	7H9827	RA27	5	5						
36	Screw fixing rear bulkhead panel.....	PMZ0308	RA28	2	2						
37	Nut for screw.....	FNZ103	RA29	2	2						
38	Washer for nut (spring).....	LWZ203	RA30	2	2						
39	Lid assembly—boot	AFH1577	RA31	1	1						

SERVICE PARTS LIST

THE M.G. Series MGA 1500

Item No.	DESCRIPTION	Commencing (C) 20071		Qty. per Vehicle		Unit of Issue	Type of Vehicle	MODIFICATIONS			REMARKS
		Part Number	Illus. No.	RHD	LHD			New Part Number	Change Point	Amdt. No.	
	Body Shell—continued										
1	Sill reinforcement and pillar assembly—R/H	AFH3882	RA32	1	1						
2	Sill reinforcement and pillar assembly—L/H	AFH3883	RA33	1	1						
3	Shut pillar assembly—R/H	AFH3780		1	1						
4	Shut pillar assembly—L/H	AFH3781		1	1						
5	Panel—sill inner—R/H	AFH1656	RA34	1	1						
6	Panel—sill inner—L/H	AFH1657	RA35	1	1						
7	Plate—sill sealing—R/H	AFH1658	RA36	1	1						
8	Plate—sill sealing—L/H	AFH1659	RA37	1	1						
9	Panel—sill outer—R/H	AFH2624	RA38	1	1						
10	Panel—sill outer—L/H	AFH2625	RA39	1	1						
11	Panel—facing—shut pillar—R/H	AFH3786	RA40	1	1						
12	Panel—facing—shut pillar—L/H	AFH3787	RA41	1	1						
13	Screw fixing facing panel—side	RPZ0310	RA42	4	4						
14	Screw fixing facing panel—bottom	RTZ804	RA43	4	4						
15	Pillar reinforcement—windscreen—R/H	AFH4466	RA44	1	1						
16	Pillar reinforcement—windscreen—L/H	AFH4467	RA45	1	1						
17	Roof assembly	AFH4748	RA46	1	1						
18	Panel assembly—roof	AFH4464	RA47	1	1						
19	Panel—reinforcement assembly	AFH4465	RA48	1	1						
20	Dripway—door opening—R/H	AFH4482	RA49	1	1		Coupe				
21	Dripway—door opening—L/H	AFH4483	RA50	1	1						
22	Rivet—dripway to roof panel	AFH5453	RA51	52	52						
23	Finisher—sill lower	AFH3752	RA52	2	2						
24	Bolt fixing sill finisher (special)	AFH3753	RA53	10	10						
25	Nut for bolt	FNZ103	RA54	10	10						
26	Lock washer for nut	LWZ403	RA55	10	10						
27	Washer for nut (plain)	PWZ203	RA56	10	10						
28	Door assembly—R/H	AFH4806	RA57	1	1						
29	Door assembly—L/H	AFH4807	RA58	1	1						
30	Door assembly—R/H	AFH3884			1						
31	Door assembly—L/H	AFH3885			1						
32	Hinge—door—R/H	AFH1494	RA59	2	2				Fjn. (C) 52015		
33	Hinge—door—L/H	AFH2805		2	2						
34	Hinge—door			4	4						
35	Packing—door hinge		RA60	4	4				AFH5882		
36	Plate—tapping—door hinge	AFH1464	RA61	4	4				AFH5827		
37	Screw fixing hinge	CPZ0412	RA62	32	32						
38	Washer for screw (plain)	PWZ204	RA63	16	16						
39	Washer for screw (spring)	LWZ204	RA64	16	16						
40	Nut for screw	FNZ104	RA65	16	16						

SERVICE PARTS LIST

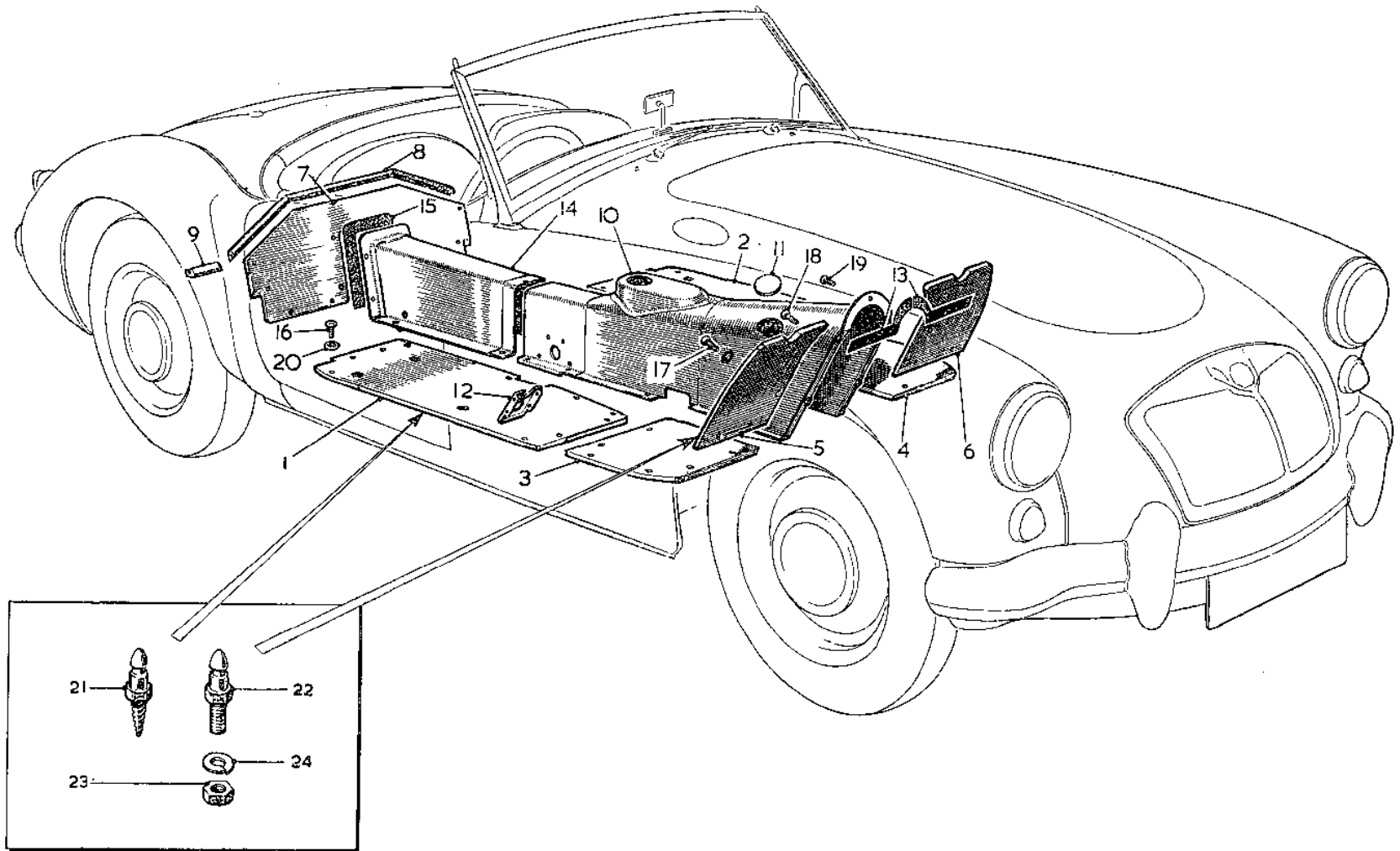
THE M.G. Series MGA 1500

Item No.	DESCRIPTION	Commencing (C) 20671		Qty. per Vehicle		Unit of Issue	Type of Vehicle	MODIFICATIONS			REMARKS
		Part Number	Illus. No.	RHD	LHD			New Part Number	Change Point	Amdt. No.	
	Body Shell—continued										
7	Wing assembly—R/H front	AFH4478	RA66	1	1						
8	Wing assembly—L/H front	AFH4479	RA67	1	1						
9	Wing assembly—R/H rear	AFH4480	RA68	1	1						
10	Wing assembly—L/H rear	AFH4481	RA69	1	1						
11	Piping—front wing	AFH1692	RA70	2	2						
12	Piping—rear wing	AFH1693	RA71	2	2						
13	Washer—plate—for front wing fixings	AFH2627		22	22						
14	Screw fixing front wing to body	HPZ0508	RA72	21	21						
15	Screw fixing front wing to body	HPZ0510	RA73	5	5						
16	Screw fixing wing closing plate to body	HPZ0408		2	2						
17	Washer for screw (plain)	PWZ205	RA74	2	2						
18	Washer for screw (spring)	LWZ205	RA75	26	26	24					
19	Washer for screw (plain)	PWZ105		2	2						
20	Screw fixing wing closing plate to body	HPZ0406	RA76	8	8						
21	Washer for screw (plain)	PWZ204	RA77	8	8						
22	Washer for screw (spring)	LWZ204	RA78	8	8						
23	Packing—front wing	AFH3840		2	2						
24	Washer—plate—for rear wing fixing	AFH2627		20	20						
25	Screw fixing front wing to sill	AFH2587	RA79	6	6						
26	Washer for screw (plain)	PWZ203	RA80	6	6		Coupe				
27	Washer for screw (spring)	LWZ203	RA81	6	6						
28	Washer—plate—for front wing lower	AFH2546	RA82	6	6						
29	Screw fixing rear wing to body	HPZ0508	RA83	22	22						
30	Washer for screw (plain)	PWZ205	RA84	2	2						
31	Washer for screw (spring)	LWZ205	RA85	22	22	24					
32	Screw fixing rear wing to sill	AFH2587	RA86	4	4						
33	Washer for screw (plain)	PWZ203	RA87	4	4						
34	Washer for screw (spring)	LWZ203	RA88	4	4						
35	Washer—plate—for rear wing lower	AFH2546		4	4						
36	Splash plate—rear wing—front R/H	AFH4782	RA89	1	1						
37	Splash plate—rear wing—front L/H	AFH4783	RA90	1	1						
38	Seal—rubber—splash plate—R/H	AFH4784	RA91	1	1						
39	Seal—rubber—splash plate—L/H	AFH4785	RA92	1	1						
40	Rivet—seal to plate	BRP906	RA93	22	22						
41	Screw fixing lower plate	PYZ604	RA94	4	4						
42	Screw fixing plate to body	HZS0405	RA95	4	4						
43	Washer (plain)	PWZ204	RA96	4	4						
44	Washer (plain)	PWZ104	RA97	4	4						
45	Washer (spring)	LWZ204	RA98	4	4						
46	Nut for screw—plate to body	FNZ104	RA99	4	4						

SERVICE PARTS LIST

THE M.G. Series MGA 1500

Item No.	DESCRIPTION	Commencing (C) 20671		Qty. per Vehicle		Unit of Issue	Type of Vehicle	MODIFICATIONS			REMARKS	
		Part Number	Illus. No.	RHD	LHD			New Part Number	Change Point	Amdt. No.		
	Body Shell—continued											
1	Splash plate assembly—R/H rear wing	AFH1704	RA100	1	1		Coupé					
2	Splash plate assembly—L/H rear wing	AFH1705		1	1							
3	Screw fixing rear splash plate	HZS0405	RA101	8	8							
4	Washer for screw (plain)	PWZ204	RA102	8	8							
5	Washer for screw (spring)	LWZ204	RA103	8	8							
6	Bracket assembly—front wing splash plate	AFH1700	RA104	2	2							
7	Seal—R/H front splash plate (rubber)	AFH1710		1	1							
8	Seal—L/H front splash plate (rubber)	AFH1711	RA105	1	1							
9	Splash plate—R/H front wing	AFH1702		1	1							
10	Splash plate—L/H front wing	AFH1703	RA106	1	1							
11	Screw fixing front splash plate	HZS0405		4	4							
12	Washer for screw (plain)	PWZ204		4	4							
13	Washer for screw (spring)	LWZ204		4	4							
14	Cover-plate—heater aperture	AHH5252	RA107	1	1							
15	Gasket—heater sealing	AHH5253	RA108	2	2							
16	Screw fixing cover-plate	PPZ0310	RA109	8	8							
17	Washer for screw (spring)	LWZ208	RA110	8	8							
18	Grommet—blanking valve control	4G2541	RA111	1	1							

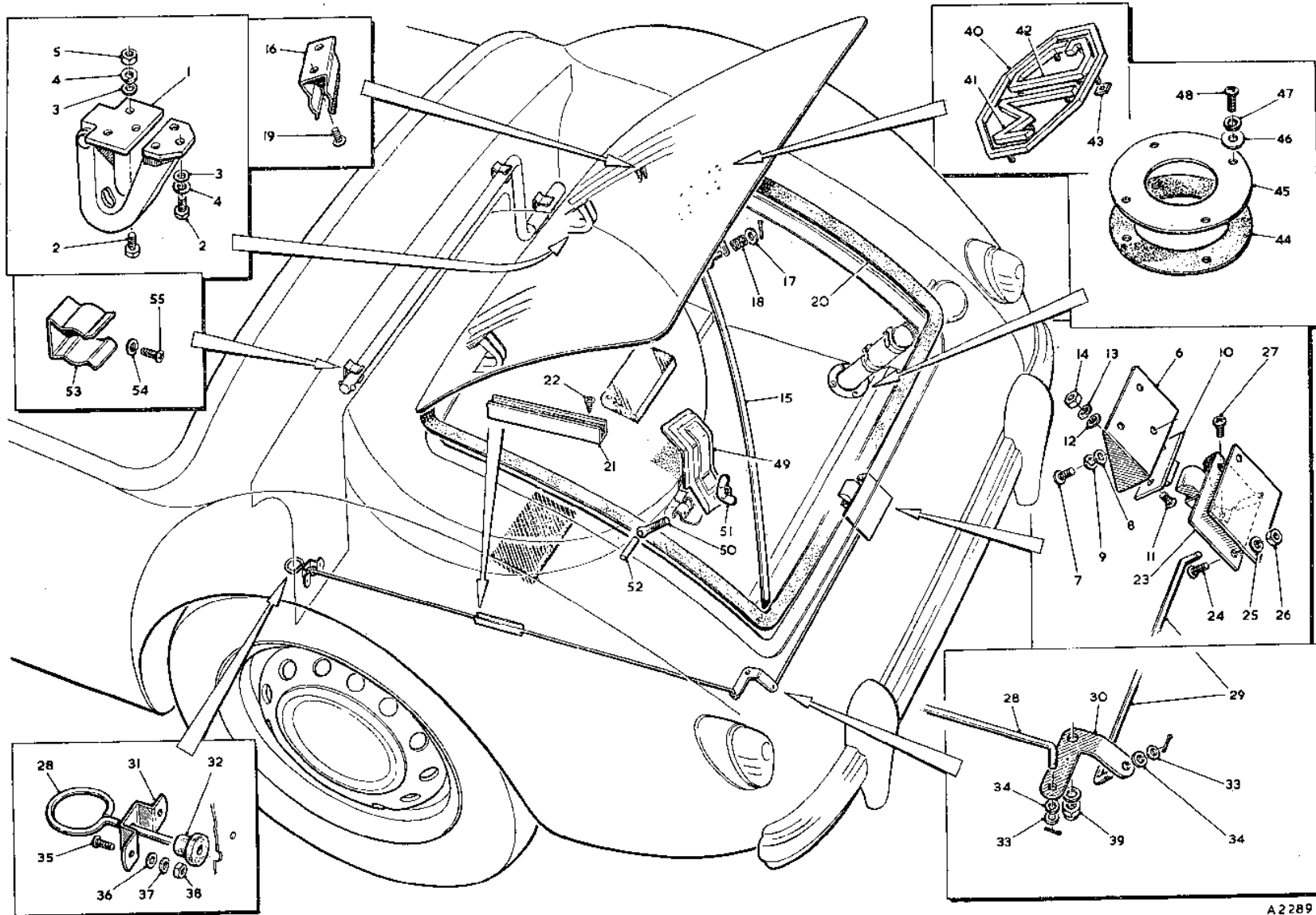


9620A

SERVICE PARTS LIST

THE M.G. Series MGA 1500

Item No.	DESCRIPTION	Commencing (C) 10101		Qty. per Vehicle		Unit of Issue	Type of Vehicle	MODIFICATIONS			REMARKS
		Part Number	Illus. No.	RHD	LHD			New Part Number	Change Point	Amdt. No.	
	FLOORING—RAMPS—PROPELLER SHAFT TUNNEL—GEARBOX COVER										
1	Floorboard—rear—R/H	AHH5205	RB1	1	1						
2	Floorboard—rear—L/H	AHH5206	RB2	1	1						
3	Floorboard—front—R/H	AHH5208	RB3	1	1						
4	Floorboard—front—L/H	AHH5209	RB4	1	1						
5	Toeboard—R/H	AHH5262	RB5	1	1			AHH5817	Com. (C) 61504		
6	Toeboard—L/H	AHH5263	RB6	1	1						
7	Rear ramp	AHH5267	RB7	1	1						
8	Sealing rubber—centre—rear ramp	AHH5455	RB8	1	1						
9	Sealing rubber—outer—rear ramp	AHH5456	RB9	2	2						
10	Packing for rear floor (boot)	AHH5180		3	3						
11	Gearbox cover assembly	AHH5325	RB10	1	1			AHH5815	Com. (C) 61504		
12	Seal (rubber) for gearbox cover	AHH5194		2	2						
13	Grommet for dipstick hole in gearbox cover	ACA5300	RB11	1	1						
14	Cross-brace plate for gearbox cover	AHH5226	RB12	2	2						
15	Seal (felt) for toeboard—top	AHH5877	RB13	2	2						
16	Seal (felt) for toeboard support	AHH5378		2	2						
17	Seal (felt) for toeboard support plate	AHH5879		2	2						
18	Propeller shaft tunnel	AHH5199	RB14	1	1						
19	Seal (felt) for propeller shaft tunnel—rear	AHH5200	RB15	1	1						
20	Seal (felt) for gearbox cover to tunnel	AHH5840		1	1						
21	Screw fixing floorboards—front	CPZ0416		15	15						
22	Screw fixing floorboards—rear	CPZ0416	RB16	25	25						
23	Screw fixing toeboard—R/H	CPZ0416	RB17	5	5						
24	Screw fixing toeboard and speedometer cable clip—R/H	CPZ0420	RB18	3	3						
25	Screw fixing toeboard—L/H	CPZ0416		4	4						
26	Screw fixing rear ramp and clip	CPZ0416		12	12						
27	Screw fixing gearbox cover to toeboard plate and front L/H floorboard	CPZ0412	RB19	2	2						
28	Countersunk cup washer for screw	64401	RB20	66	66						
29	Screw in floorboard for carpet fixing	94605	RB21	12	12						
30	Screw in toeboard for carpet fixing	183599	RB22	4	4						
31	Nut for toeboard screw	AJD8012Z	RB23	4	4						
32	Washer (spring)	LWZ203	RB24	4	4						
33	Screw blanking accelerator adjusting stop holes in L/H floorboard	CPZ0408		2							
34	Washer for screw (cup)	ACA5374		2							
35	Clip—rear ramp screw—R/H (negative battery cable)	PCR0709		1	1						
36	Washer (shakeproof)	AJD7605		1	1						
37	Locknut for clip screw	FNZ204		1	1						
38	Cover—starter motor (rubber)			1	1			AHH5838	Com. (C) 61504		
39	Floorboard—R/H	AHH5748		1	1						
40	Floorboard—L/H	AHH5749		1	1						For use with competition-type bucket seats
41	Screw fixing floorboard	CMZ0420		16	16						



A 2289

SERVICE PARTS LIST

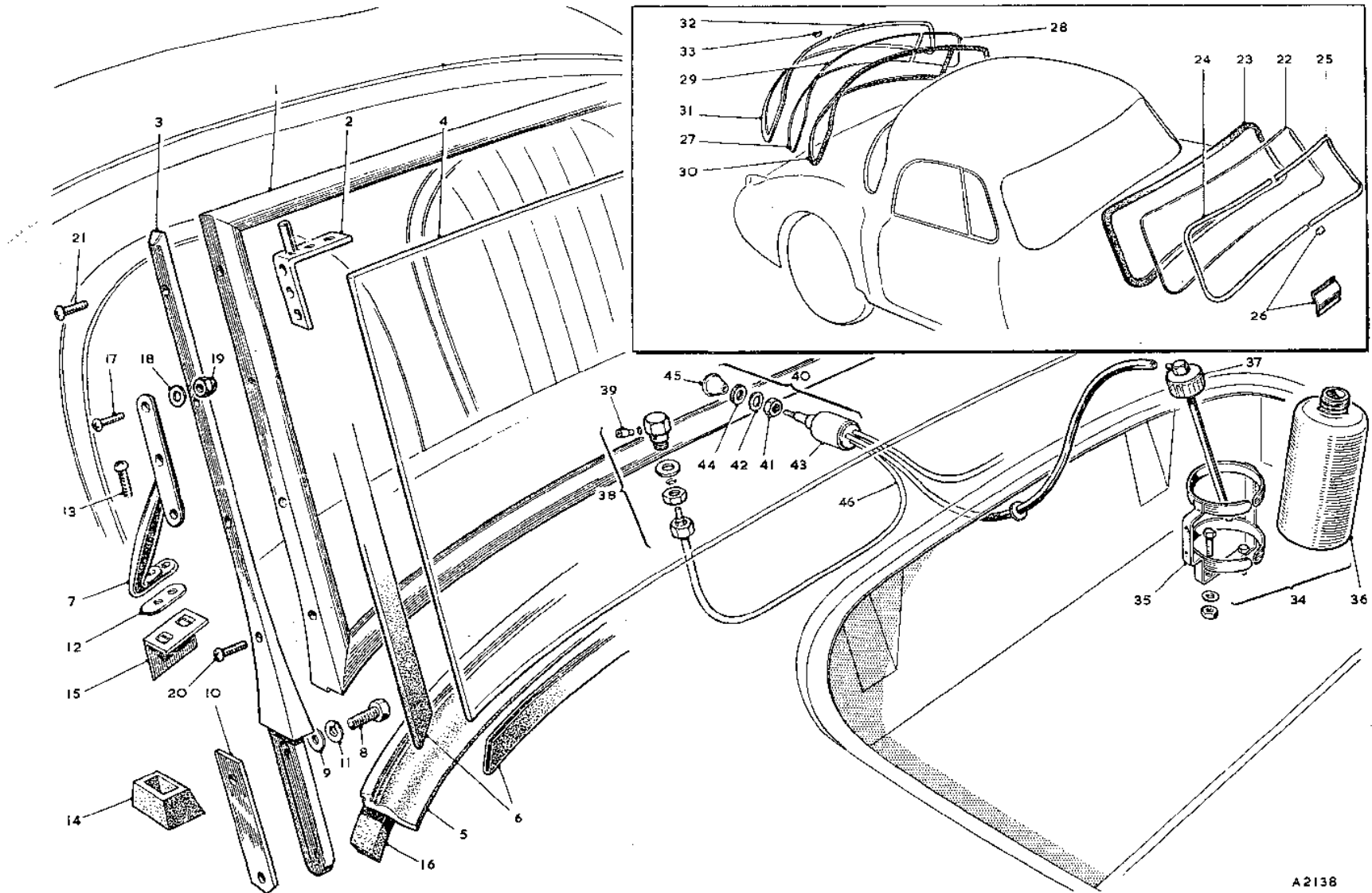
THE M.G. Series MGA 1500

Item No.	DESCRIPTION	Commencing (C) 10101		Qty. per Vehicle		Unit of Issue	Type of Vehicle	MODIFICATIONS			REMARKS
		Part Number	Illus. No.	RHD	LHD			New Part Number	Change Point	Amdt. No.	
	BOOT LID AND BOOT FLOOR FITTINGS										
1	Hinge—R/H—boot lid	AFH1515	RC1	1	1						
2	Hinge—L/H—boot lid	AFH1514		1	1						
3	Screw fixing boot lid hinges	AFH2587	RC2	12	12						
4	Washer (plain)	PWZ203	RC3	12	12						
5	Washer (spring)	LWZ203	RC4	12	12						
6	Nut for boot lid hinge screw	FNZ103	RC5	2	2						
7	Bracket for boot lid striking plate	AFH1578	RC6	1	1						
8	Screw for striker plate bracket	AFH2587	RC7	3	3						
9	Washer (plain)	PWZ203	RC8	3	3						
10	Washer (spring)	LWZ203	RC9	3	3						
11	Plate for boot lid striking	AFH1516	RC10	1	1						
12	Screw for striking plate	CMZ0310	RC11	2	2						
13	Washer (plain)	PWZ203	RC12	2	2						
14	Washer (spring)	LWZ203	RC13	2	2						
15	Nut for striking plate screw	FNZ103	RC14	2	2						
16	Rod—boot lid support	AFH1756	RC15	1	1						
17	Clip for support rod	128978	RC16	1	1						
18	Washer for support rod (plain)	PWZ105	RC17	1	1						
19	Spring for support rod	139282	RC18	1	1						
20	Screw for clip to lid	PTZ603	RC19	2	2						
21	Sealing rubber for boot lid	AFH1753	RC20	1	1						
22	Retaining channel for release rod	AFH1789	RC21	1	1						
23	Screw for retaining channel	CTZ403	RC22	2	2						
24	Lock assembly—boot lid	AFH1519	RC23	1	1						
25	Screw fixing lock to body	PMZ0308	RC24	2	2						
26	Washer (spring)	LWZ203	RC25	2	2						
27	Nut for lock to body screw	FNZ103	RC26	2	2						
28	Packing for lock support bracket	AFH2622		1	1						
29	Screw fixing lock to body	PTZ603	RC27	1	1						
30	Rod for boot lock front release	AFH1758	RC28	1	1						
31	Rod for boot lock rear release	AFH1759	RC29	1	1						
32	Lever for boot lock actuating	AFH1747	RC30	1	1						
33	Plate for release rod guide	133222	RC31	1	1						
34	Grommet for release rod	133221	RC32	1	1						
35	Washer for release rods (plain)	PWZ203	RC33	3	3						
36	Washer for release rods (spring)	128900	RC34	3	3						
37	Screw fixing guide plate to bulkhead	PMZ0208	RC35	2	2						
38	Washer (plain)	PWZ202	RC36	2	2						
39	Washer (spring)	LWZ202	RC37	2	2						
40	Nut for guide plate screw	CNZ102	RC38	2	2						
41	Nut for actuating lever pivot	LNZ104	RC39	1	1						

SERVICE PARTS LIST

THE M.G. Series MGA 1500

Item No.	DESCRIPTION	Commencing (C) 10101		Qty. per Vehicle		Unit of Issue	Type of Vehicle	MODIFICATIONS			REMARKS
		Part Number	Illus. No.	RHD	LHD			New Part Number	Change Point	Amdt. No.	
	Boot Lid and Boot Floor Fittings—continued										
1	Surround—boot lid badge	AHH5261	RC40	1	1						
2	Letter 'M'	ADH2475	RC41	1	1						
3	Letter 'G'	ADH2476	RC42	1	1						
4	Spire nut—surround and badge	PFS103	RC43	13	13						
5	Seal—petrol filler—boot floor	AHH5260	RC44	1	1						
6	Cover-plate—petrol filler seal	AHH5259	RC45	1	1						
7	Washer—special—seal/plate to floor	AJD7212	RC46	3	3						
8	Washer—spring—seal/plate to floor	LWZ203	RC47	3	3						
9	Screw—seal/plate to floor	PMZ0308	RC48	3	3						
10	Clamp—spare wheel	H7336	RC49	1	1						
11	Bolt for spare wheel clamping	AHH5349	RC50	1	1						
12	Wing nut for clamping bolt	AHH5351	RC51	1	1						
13	Cross-pin—spare wheel fixing	AHH5350	RC52	1	1						
14	Clip for starting-handle	5843	RC53	3	3						
15	Washer—spring—clip to rear bulkhead	LWZ203	RC54	3	3						
16	Screw fixing clip to rear bulkhead	PPZ0305	RC55	3	3						
17	Felt packing for spare wheel	AHH5459		2	2						



A2138

SERVICE PARTS LIST

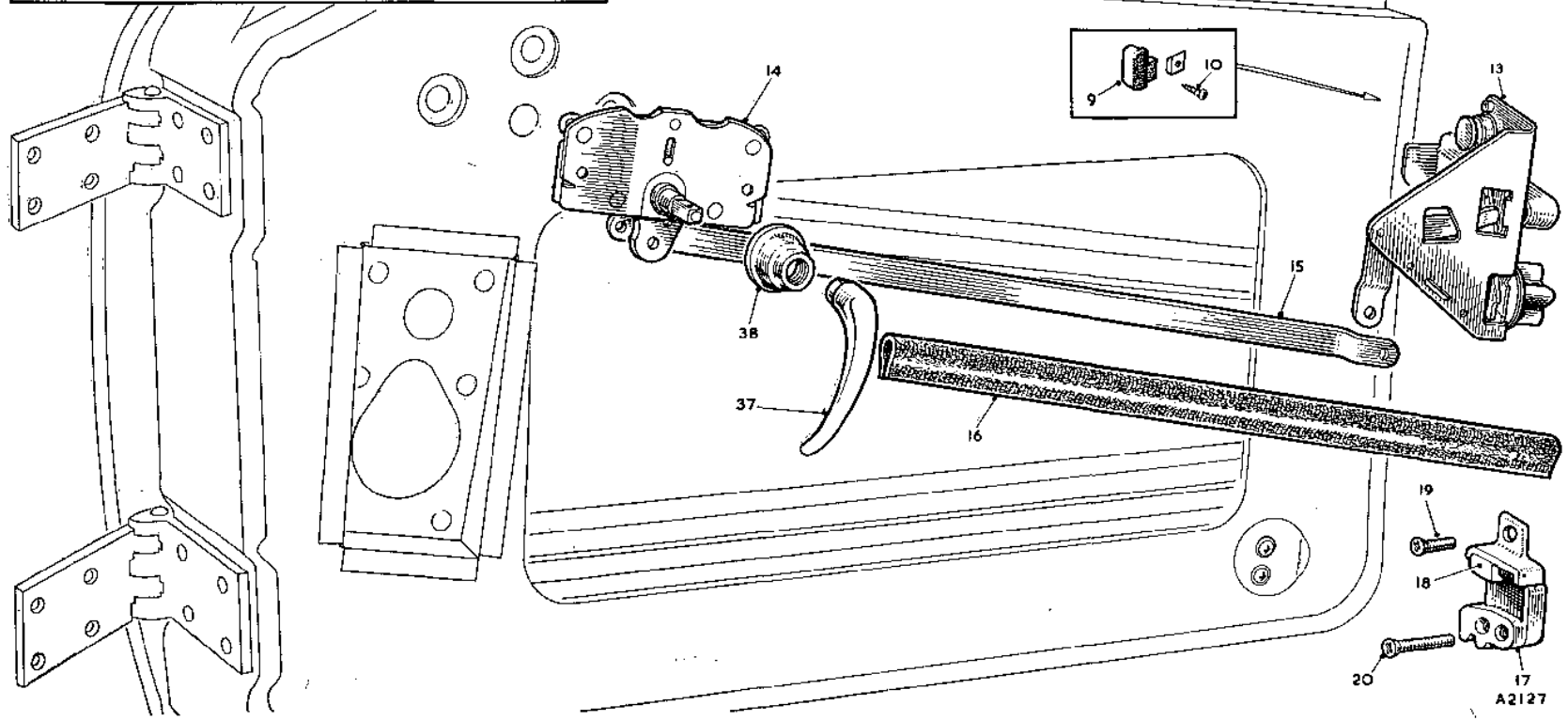
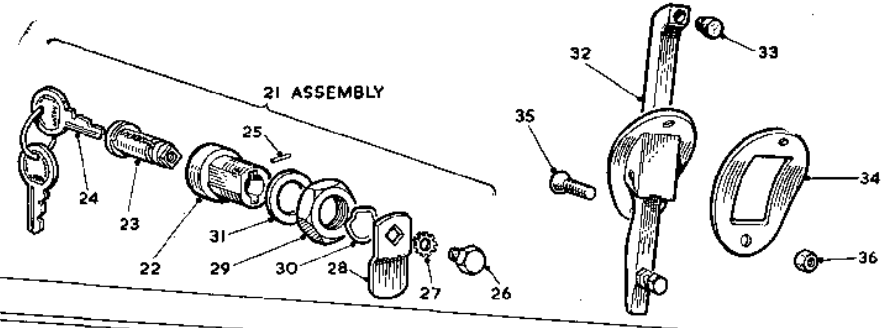
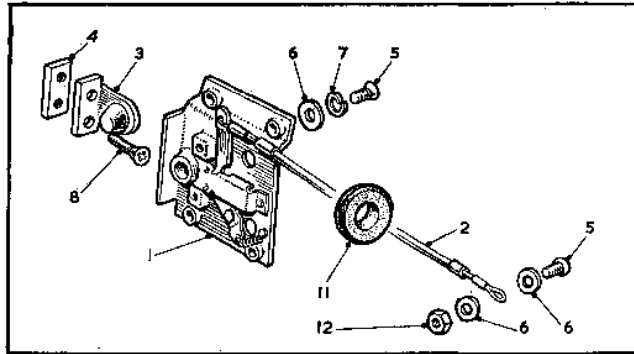
THE M.G. Series MGA 1500

Item No.	DESCRIPTION	Commencing (C) 10101		Qty. per Vehicle		Unit of Issue	Type of Vehicle	MODIFICATIONS			REMARKS
		Part Number	Illus. No.	RHD	LHD			New Part Number	Change Point	Amdt. No.	
	WINDSCREEN										
1	Windscreen assembly	AFH1716		1	1		Tourer				
2	Frame	AFH1717	RD1	1	1						
3	Peg—hood attachment—R/H	AFH2630	RD2	1	1						
4	Peg—hood attachment—L/H	AFH2631		1	1						
5	Stanchion—R/H	AFH1718	RD3	1	1						
6	Stanchion—L/H	AFH1719		1	1						
7	Glass	AFH1720	RD4	1	1						
8	Apron (rubber)	AFH1721	RD5	1	1						
9	Glazing rubber	AFH1724	RD6	1	1						
10	Grab handle—R/H	AFH1722	RD7	1	1						
11	Grab handle—L/H	AFH1723		1	1						
12	Bolt—stanchion to body	HBZ0610	RD8	4	4						
13	Washer (plain)	PWZ106	RD9	4	4						
14	Packing—stanchion	AFH2547	RD10	A/R	A/R						
15	Washer (spring)	LWZ206	RD11	4	4						
16	Packing-piece—grab handle	AFH1687	RD12	2	2						
17	Screw fixing grab handle to body	RPP0312	RD13	4	4						
18	Grommet—stanchion to body	AFH1726	RD14	2	2						
19	Reinforcement assembly—grab handle	AFH1787	RD15	2	2						
20	Packing for windscreen	AFH2868	RD16	2	2						
21	Screw fixing grab handle to frame	CMP0307	RD17	6	6						
22	Washer (plain)	PWZ203	RD18	6	6						
23	Nut—domed—handle to frame	AFH2809	RD19	6	6						
24	Screw fixing stanchion to frame—bottom (long)	RMP0312	RD20	2	2						
25	Screw fixing stanchion to frame (short)	RMP0310	RD21	6	6						
26	Glass—windscreen	AFH3830	RD22	1	1						
27	Rubber—windscreen surround	AFH3831	RD23	1	1						
28	Finisher—windscreen surround—R/H	AFH3832	RD24	1	1						
29	Finisher—windscreen surround—L/H	AFH3833	RD25	1	1						
30	Jointing piece—windscreen finisher	AFH3778	RD26	2	2						
	BACK-LIGHT						Coupé				
31	Glass—back-light—side—R/H	AFH3834	RD27	1	1						
32	Glass—back-light—side—L/H	AFH3835	RD28	1	1						
33	Glass—back-light—centre	AFH3836	RD29	1	1						
34	Rubber—surround assembly—back-light	AFH3837	RD30	1	1						
35	Finisher—back-light surround—R/H	AFH3838	RD31	1	1						
36	Finisher—back-light surround—L/H	AFH3839	RD32	1	1						
37	Jointing piece—back-light finisher	AFH3778	RD33	2	2						

SERVICE PARTS LIST

THE M.G. Series MGA 1500

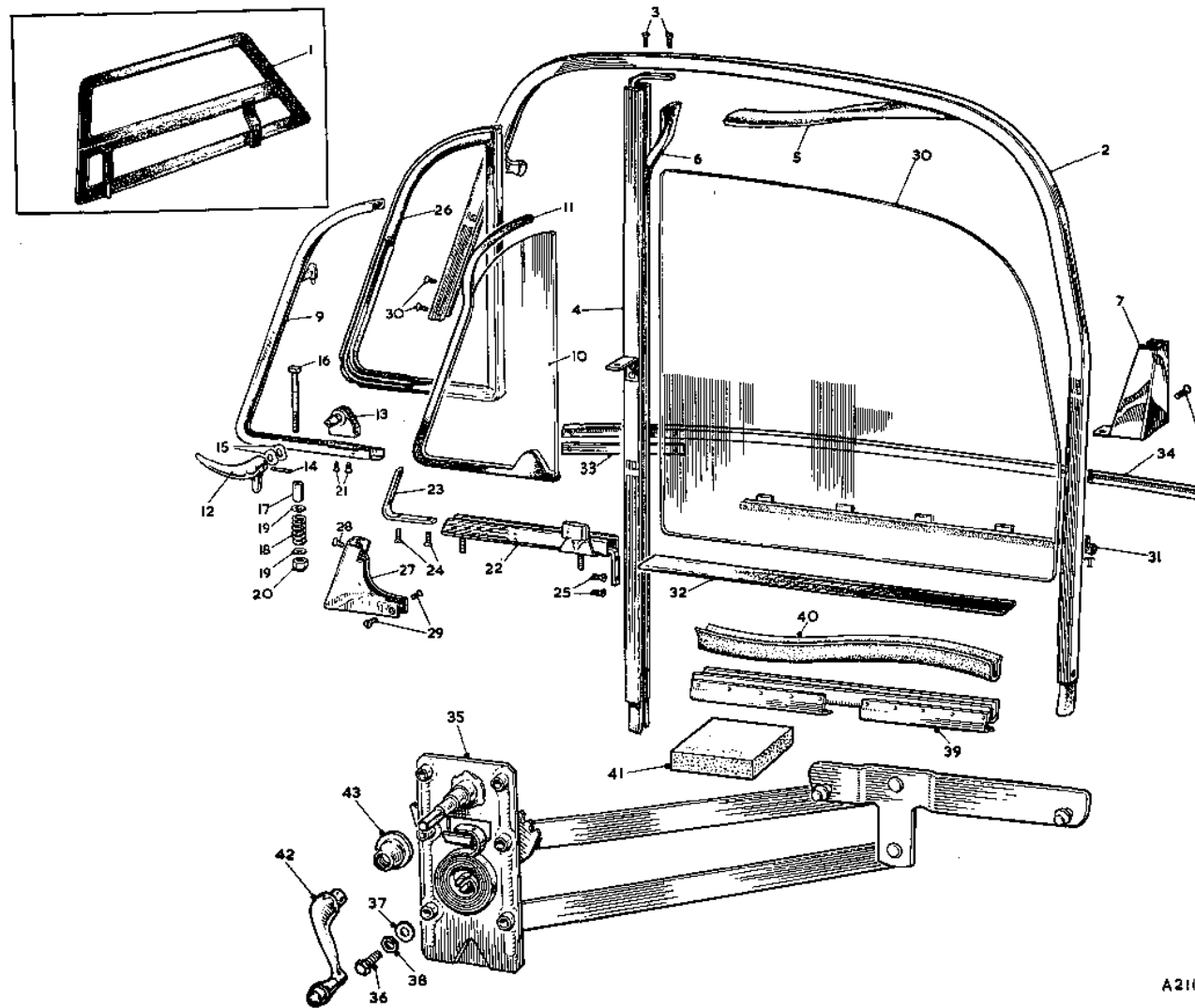
Item No.	DESCRIPTION	Commencing (C) 10101		Qty. per Vehicle		Unit of Issue	Type of Vehicle	MODIFICATIONS			REMARKS
		Part Number	Illus. No.	RHD	LHD			New Part Number	Change Point	Amdt. No.	
	WINDSCREEN WASHER (Optional Extra)										
1	Windscreen washer kit	AHH5798		1	1						
2	Bracket and container	17H9747	RD34	1	1						
3	Bracket	7H9781	RD35	1	1						
4	Container	7H9779	RD36	1	1						
5	Cap	7H9785	RD37	1	1						
6	Jet mounting assembly	7H9777	RD38	2	2						Adjustable Jet
7	Jet mounting assembly	17H9746		2	2						Fixed Jet
8	Jet mounting assembly			2	2						Small adjustable Jet
9	jet		RD39	2	2			27H9622] Fin. (C) 45185 Com. (C) 45186		
10	Control assembly with tubes	7H9776	RD40	1	1			27H9623			
11	Control assembly with tubes	17H9748		1	1						Use with 7H9777
12	Control assembly with tubes			1	1			27H9624	Fin. (C) 45185 Com. (C) 45186		Use with 17H9746
13	Nut—plunger	7H9780	RD41	1	1						
14	Washer (shakeproof)	7H9782	RD42	1	1						
15	Rubber bulb		RD43	1	1			27H9626	Com. (C) 45186		
16	Collar—knurled	7H9784	RD44	1	1						
17	Push-button knob	7H9783	RD45	1	1			27H9625	Com. (C) 45186		
18	Tubing (state length)	7H9786	RD46	A/R	A/R						



SERVICE PARTS LIST

THE M.G. Series MGA 1500

Item No.	DESCRIPTION	Commencing (C) 10101		Qty. per Vehicle		Unit of Issue	Type of Vehicle	MODIFICATIONS			REMARKS	
		Part Number	Illus. No.	RHD	LHD			New Part Number	Change Point	Amdt. No.		
	DOOR FITTINGS											
1	Lock assembly—R/H door	AFH1682	RE1	1	1		Tourer					
2	Lock assembly—L/H door	AFH1683		1	1							
3	Cable—operating	7H9958	RE2	2	2							
4	Striking plate—door lock	AFH1684	RE3	2	2							
5	Tapping plate—striker	AFH1685	RE4	2	2							
6	Screw fixing lock to door/cable	PPZ0308	RE5	10	10							
7	Washer (plain) for lock and cable	PWZ203	RE6	12	12							
8	Washer (spring)	LWZ203	RE7	8	8							
9	Screw fixing striker to body	CPZ0412	RE8	4	4							
10	Screw fixing lock to door	PTZ603		4	4							
11	Buffer assembly—door	MB19556	RE9	4	4							
12	Screw fixing buffer to body	AJD2245Z	RE10	4	4							
13	Grommet (rubber) for door lock release	RFN110	RE11	2	2							
14	Nut for door lock cable	FNZ103	RE12	2	2							
15	Lock assembly—R/H door	AFH3894		1	1			Coupe				
16	Lock assembly—L/H door	AFH3895		1	1							
17	Lock—R/H	17H9736	RE13	1	1							
18	Lock—L/H	17H9737		1	1							
19	Remote-control mechanism—R/H	17H9738	RE14	1	1							
20	Remote control mechanism—L/H	17H9739		1	1							
21	Link—connecting	17H9740	RE15	2	2							
22	Sleeve—anti-rattle	17H9735	RE16	2	2							
23	Washer (rubber)	17H9742		4	4							
24	Rivet	17H9743		4	4							
25	Plate—striker—door lock—R/H	AFH3896	RE17	1	1							
26	Plate—striker—door lock—L/H	AFH3897		1	1							
27	Plate—tapping—striker	AFH3792	RE18	2	2							
28	Screw fixing door lock striker to body	CPZ0412	RE19	2	2							
29	Screw fixing door lock striker to body	CPZ0420	RE20	4	4							
30	Lock assembly—private	AFH3893	RE21	1	1							
31	Housing—lock	AKC458	RE22	1	1							
32	Cylinder—lock, complete with keys	17H9745	RE23	1	1							
33	Key	ANK4646	RE24	2	2							
34	Peg—retaining	17H9930	RE25	1	1							
35	Latch bolt	AKC453	RE26	1	1							
36	Washer for bolt	17H9741	RE27	1	1							
37	Latch	17H9744	RE28	1	1							
38	Locknut	AKC455	RE29	1	1							
39	Washer (waved)	AKC454	RE30	1	1							
40	Washer—seating	AKC451	RE31	1	1							
41	Handle assembly—door—outside	AFH3796	RE32	2	2							
42	Rubber insert—outside door handle	17H9989	RE33	2	2							
43	Washer—seating	AFH4513	RE34	2	2							
44	Screw fixing handles to door	RMF0308	RE35	4	4							
45	Nut for screw	LNZ203	RE36	4	4							
46	Handle—door—inside	ADH5482	RE37	2	2							
47	Escutcheon assembly—inside handle	ADB709	RE38	2	2							



A2115

SERVICE PARTS LIST

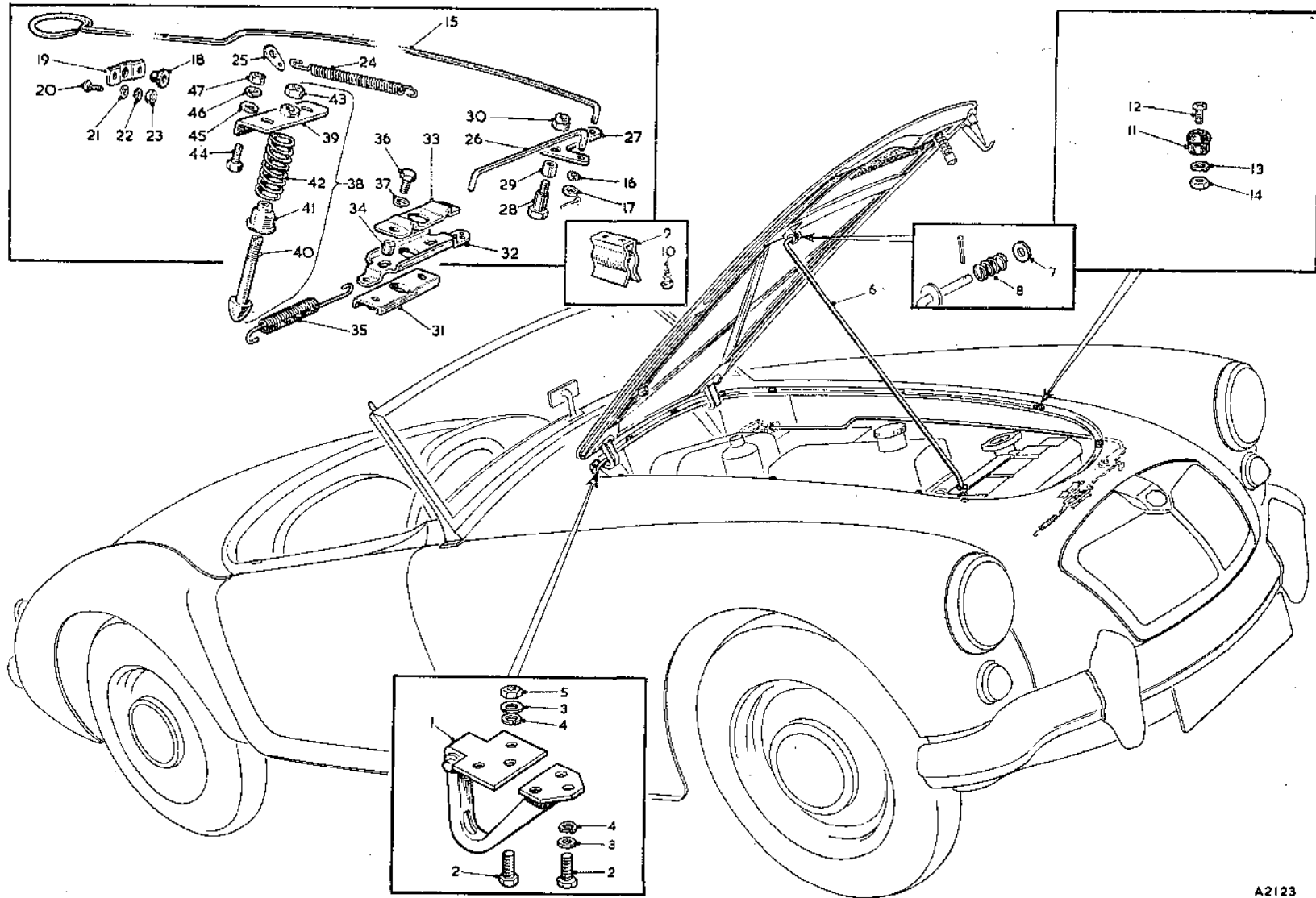
THE M.G. Series MGA 1500

Item No.	DESCRIPTION	Commencing (C) 10101		Qty. per Vehicle		Unit of Issue	Type of Vehicle	MODIFICATIONS			REMARKS
		Part Number	Illus. No.	RHD	LHD			New Part Number	Change Point	Amdt. No.	
	WINDOWS—SIDE										
1	Side-curtain assembly—R/H	AFH1742		1	1		Tourer		Fin. (C) 10500		State colour
2	Side-curtain assembly—L/H	AFH1743	RF1	1	1						
3	Side-curtain assembly—R/H—Black			1	1			AKE1764	Com. (C) 10501		
4	Side-curtain assembly—R/H—Ice Blue			1	1			AKE1765			
5	Side-curtain assembly—L/H—Black			1	1			AKE1766			
6	Side-curtain assembly—L/H—Ice Blue			1	1			AKE1767			
7	Frame assembly—R/H	AFH2660		1	1						
8	Frame assembly—L/H	AFH2661		1	1						
9	Frame—signalling flap	AFH2662		2	2						
10	Panel—sidescreen	AFH2663		2	2						
11	Panel—signalling flap	AFH2664		2	2						
12	Closing device—flap	AFH2666		2	2						
13	Fork end	AFH2677		1	1						
14	Spring	AFH2680		1	1						
15	Frame and ventilator assembly—window—door—R/H	AFH3802		1	1		Coupé				
16	Frame and ventilator assembly—window—door—L/H	AFH3803		1	1						
17	Channel assembly—frame surround—R/H	AFH4858	RF2	1	1						
18	Channel assembly—frame surround—L/H	AFH4859		1	1						
19	Screw fixing surround channel to vertical channel	RMP0204	RF3	4	4						
20	Channel assembly—vertical—R/H	AFH4860	RF4	1	1						
21	Channel assembly—vertical—L/H	AFH4861		1	1						
22	Strip—felt—surround channel	AFH4862	RF5	2	2						
23	Strip—felt—vertical channel	AFH4863	RF6	2	2						
24	Blending piece—channel—R/H—rear	AFH4864	RF7	1	1						
25	Blending piece—channel—L/H—rear	AFH4865		1	1						
26	Screw fixing blending piece to channel—rear	17H9935	RF8	2	2						
27	Ventilator assembly—R/H	AFH4848		1	1						
28	Ventilator assembly—L/H	AFH4849		1	1						
29	Frame assembly—vent—R/H	AFH4872	RF9	1	1						
30	Frame assembly—vent—L/H	AFH4873		1	1						
31	Glass	AFH4847	RF10	2	2						
32	Strip—glazing	AFH4874	RF11	2	2						
33	Handle—locking—R/H	AFH6532	RF12	1	1						
34	Handle—locking—L/H	AFH6533		1	1						
35	Bracket for locking handle	AFH6531	RF13	2	2						
36	Pin for locking handle	AFH6534	RF14	2	2						
37	Washer—waved—handle	AFH4875	RF15	4	4						
38	Pivot bolt—vent	AFH4876	RF16	2	2						
39	Sleeve for pivot bolt	AFH4877	RF17	2	2						
40	Spring for pivot bolt	AFH4878	RF18	2	2						
41	Washer (plain)	PWZ204	RF19	4	4						
42	Nut for pivot bolt	LNZ204	RF20	2	2		2K3975	Part number correction		1/4-26-BSF hex nut (not 1/4-28-UNF)	

SERVICE PARTS LIST

THE M.G. Series MGA 1500

Item No.	DESCRIPTION	Commencing (C) 20671		Qty. per Vehicle		Unit of Issue	Type of Vehicle	MODIFICATIONS			REMARKS
		Part Number	Illus. No.	RHD	LHD			New Part Number	Change Point	Amdt. No.	
	Windows—Side—continued										
1	Screw fixing handle bracket to frame	CMP0204	RF21	4	4		Coupé				
2	Channel assembly—bottom—ventilator—R/H	AFH4866	RF22	1	1						
3	Channel assembly—bottom—ventilator—L/H	AFH4867		1	1						
4	Bracket—vent corner—front	AFH4868	RF23	2	2						
5	Screw fixing angle bracket—front	CMZ0204	RF24	8	8						
6	Screw fixing angle bracket—rear	CMZ0204	RF25	4	4						
7	Rubber—vent surround—R/H	AFH4870	RF26	1	1						
8	Rubber—vent surround—L/H	AFH4871		1	1						
9	Blending piece—front	AFH4869	RF27	2	2						
10	Screw fixing blending piece to channel—front	17H9934	RF28	2	2						
11	Screw fixing blending piece to vent channel	17H9935	RF29	4	4						
12	Glass—door	AFH4453	RF30	2	2						
13	Weatherstrip—window frame	AFH4455	RF31	2	2						
14	Weatherstrip—garnish rail	AFH4456	RF32	2	2						
15	Packing—weatherstrip finisher	AFH4459	RF33	2	2						
16	Finisher—weatherstrip—R/H door	AFH4458	RF34	1	1						
17	Finisher—weatherstrip—L/H door	AFH4459		1	1						
18	Regulator assembly—window—R/H	AFH3898	RF35	1	1						
19	Regulator assembly—window—L/H	AFH3899		1	1						
20	Screw fixing regulator to mounting bracket	HZS0404	RF36	12	12						
21	Washer (plain)	PWZ204	RF37	12	12						
22	Washer (spring)	LWZ204	RF38	12	12						
23	Channel for door window glass—lower	AFH8900	RF39	2	2						
24	Strip—glazing	AFH4454	RF40	2	2						
25	Buffer for door glass stop	AFH4568	RF41	2	2						
26	Handle—window regulator	ADH5481	RF42	2	2						
27	Escutcheon assembly—regulator handle	ADB709	RF43	2	2						



A2123

SERVICE PARTS LIST

THE M.G. Series MGA 1500

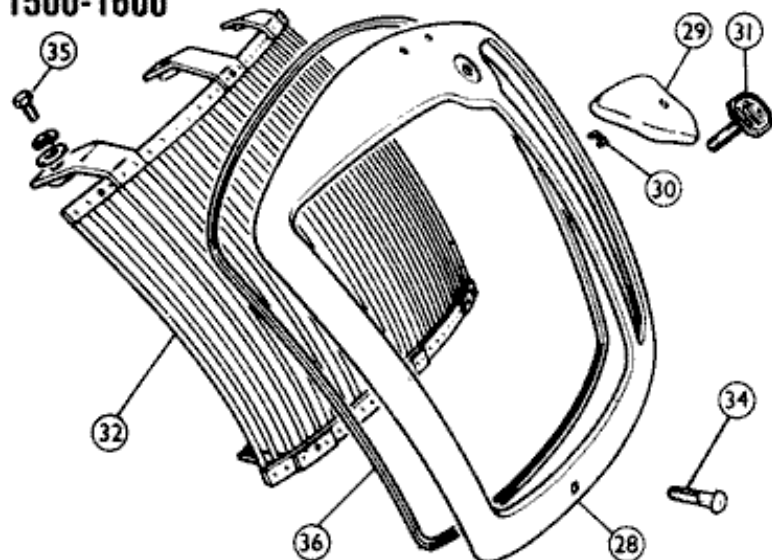
Item No.	DESCRIPTION	Commencing (C) 10101		Qty. per Vehicle		Unit of Issue	Type of Vehicle	MODIFICATIONS			REMARKS
		Part Number	Illus. No.	RHD	LHD			New Part Number	Change Point	Amdt. No.	
	BONNET LID FITTINGS										
1	Hinge—R/H—for bonnet lid	AFH1514	RG1	1	1						
2	Hinge—L/H—for bonnet lid	AFH1515		1	1						
3	Set screw for bonnet hinges	AFH2587	RG2	12	12						
4	Washer for set screw (plain)	PWZ203	RG3	12	12						
5	Washer for set screw (spring)	LWZ203	RG4	12	12						
6	Nut for bonnet hinge screw	FNZ103	RG5	2	2						
7	Rod for bonnet lid support	AFH1755	RG6	1	1						
8	Washer for support rod (plain)	PWZ105	RG7	1	1						
9	Spring for bonnet lid support rod	139282	RG8	1	1						
10	Clip for support rod	AH115460	RG9	1	1						
11	Screw for clip to lid	PTZ803	RG10	2	2						
12	Buffer for bonnet lid	271601	RG11	10	10						
13	Screw for buffer fixing	PMZ0208	RG12	10	10						
14	Washer for screw (spring)	LWZ202	RG13	10	10						
15	Nut for buffer screw	CNZ102	RG14	10	10						
	BONNET—CATCH AND CONTROL										
16	Rod for bonnet catch control	AFH1757	RG15	1	1						
17	Washer for control rod (spring)	128900	RG16	3	3						
18	Washer for control rod (plain)	PWZ203	RG17	3	3						
19	Grommet for dash panel	133221	RG18	1	1						
20	Plate for grommet retaining	133222	RG19	1	1						
21	Screw for retaining plate to dash	PMZ0208	RG20	2	2						
22	Washer for screw (plain)	PWZ202	RG21	2	2						
23	Washer for screw (spring)	LWZ202	RG22	2	2						
24	Nut for plate to dash screw	CNZ102	RG23	2	2						
25	Spring for bonnet catch (anti-rattle)	95219	RG24	1	1						
26	Tension plate for anti-rattle spring	ADA2463	RG25	1	1						
27	Rod for lever to slider control	133213	RG26	1	1						
28	Lever for control rod	AFH1654	RG27	1	1						
29	Bolt for control rod lever pivot	AFH1655	RG28	1	1						
30	Distance tube for pivot bolt	AFH1675	RG29	1	1						
31	Nut for pivot bolt	LNZ103	RG30	1	1						
32	Slider support assembly	ADH456	RG31	1	1						
33	Slider for bonnet catch	ADA461	RG32	1	1						
34	Guide plate for bonnet catch	ADA463	RG33	1	1						
35	Distance tube for bonnet catch	ADA464	RG34	2	2						
36	Tension spring for bonnet catch	ADA466	RG35	1	1						
37	Bolt for catch to body	HBZ0408	RG36	2	2						
38	Washer for bolt (spring)	LWZ204	RG37	2	2						

SERVICE PARTS LIST

THE M.G. Series MGA 1500

Item No.	DESCRIPTION	Commencing (C) 10101		Qty. per Vehicle		Unit of Issue	Type of Vehicle	MODIFICATIONS			REMARKS
		Part Number	Illus. No.	RHD	LHD			New Part Number	Change Point	Amdt. No.	
	Bonnet—Catch and Control—continued										
1	Striker pin assembly	AFH1739	RG38	1	1						
2	Bracket	ADH4869	RG39	1	1						
3	Pin	ADC2781	RG40	1	1						
4	Cup for spring retaining	ADA458	RG41	1	1						
5	Spring	14B2846	RG42	1	1						
6	Nut	FNZ206	RG43	1	1						
7	Set screw for striker pin to lid	HZS0405	RG44	2	2						
8	Washer for screw (plain)	PWZ204	RG45	2	2						
9	Washer for screw (spring)	LWZ204	RG46	2	2						
10	Nut for striker pin set screw	FNZ104	RG47	2	2						

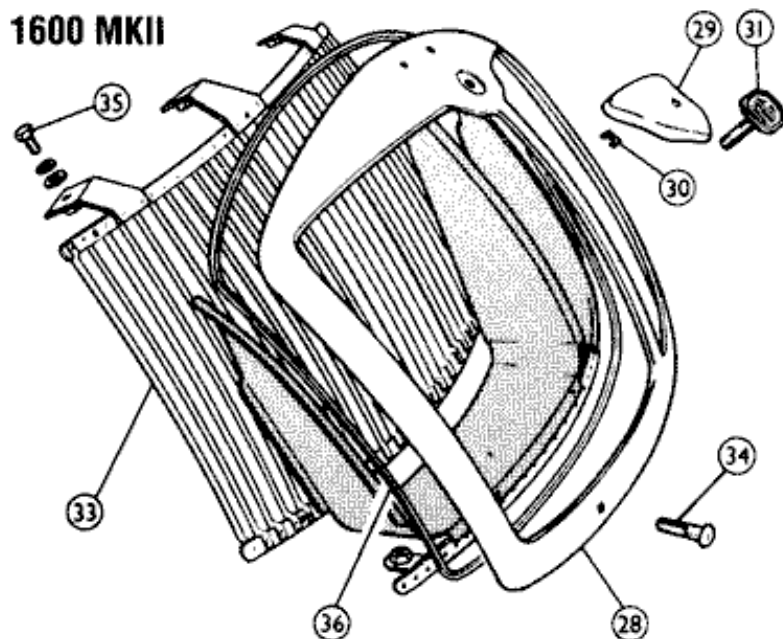
1500-1600

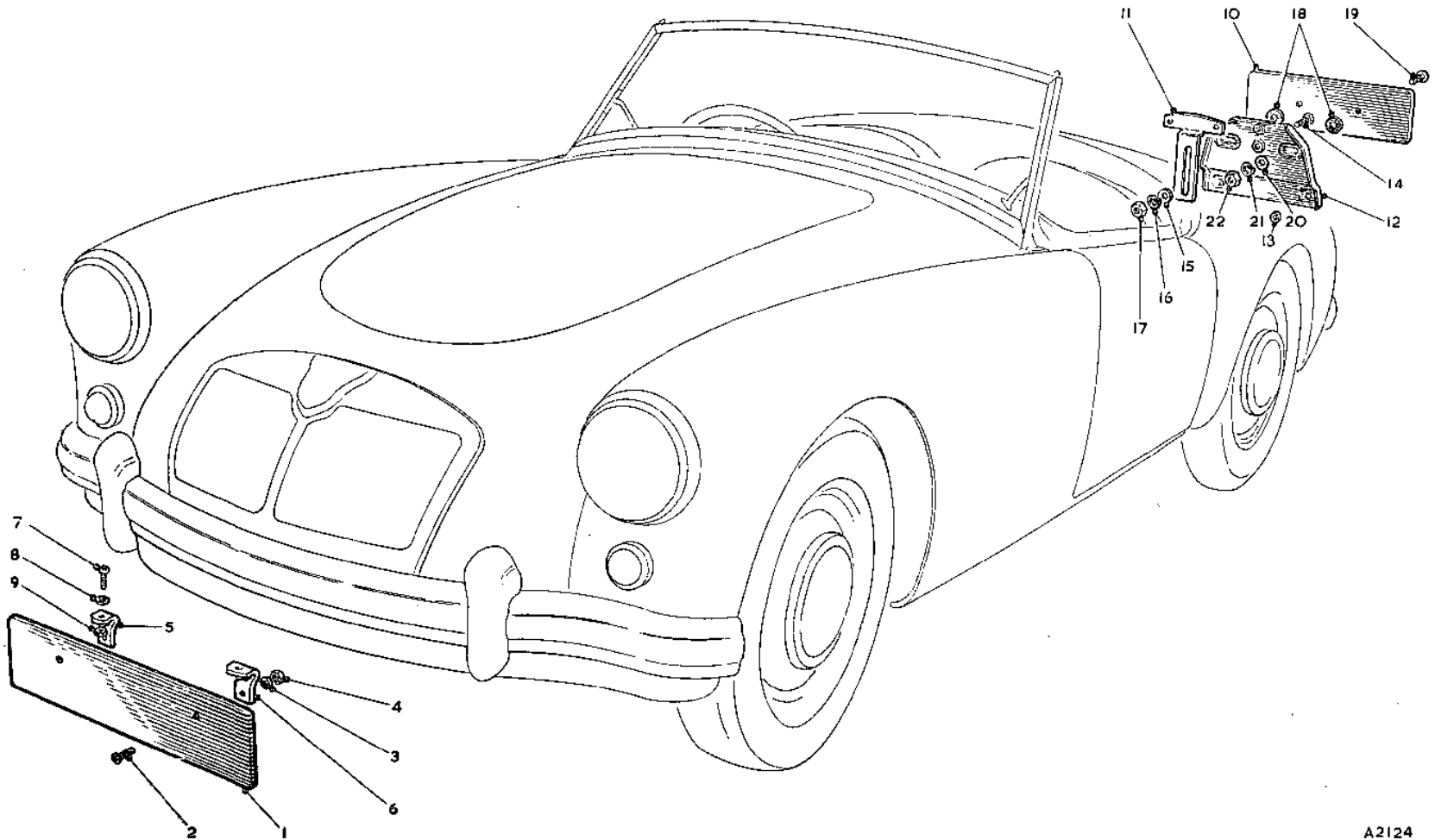


This page is added, was not part of the original SPL.

Item	Part No.	Description
	ARH52	SHELL & GRILLE, flat (1500-1600)
	ARH55	SHELL & GRILLE, recessed (MK-II)
28	ARH901	SHELL, fits both grilles
29	ARH902	FALSE NOSE
30	PFS106	SPEED NUT (false nose) (2 req'd)
31	ARH900	BADGE
32	ARH883	GRILLE, flat (1500-1600)
33	ARH1700	GRILLE, recessed (MkII)
34	ARH899	BOLT, grille to shell (2 req'd)
	GHF206	NUT (5 req'd)
35	SH604041	SCREW, grille to body (6 req'd)
36	AHH5179	GRILLE PIPING

1600 MKII



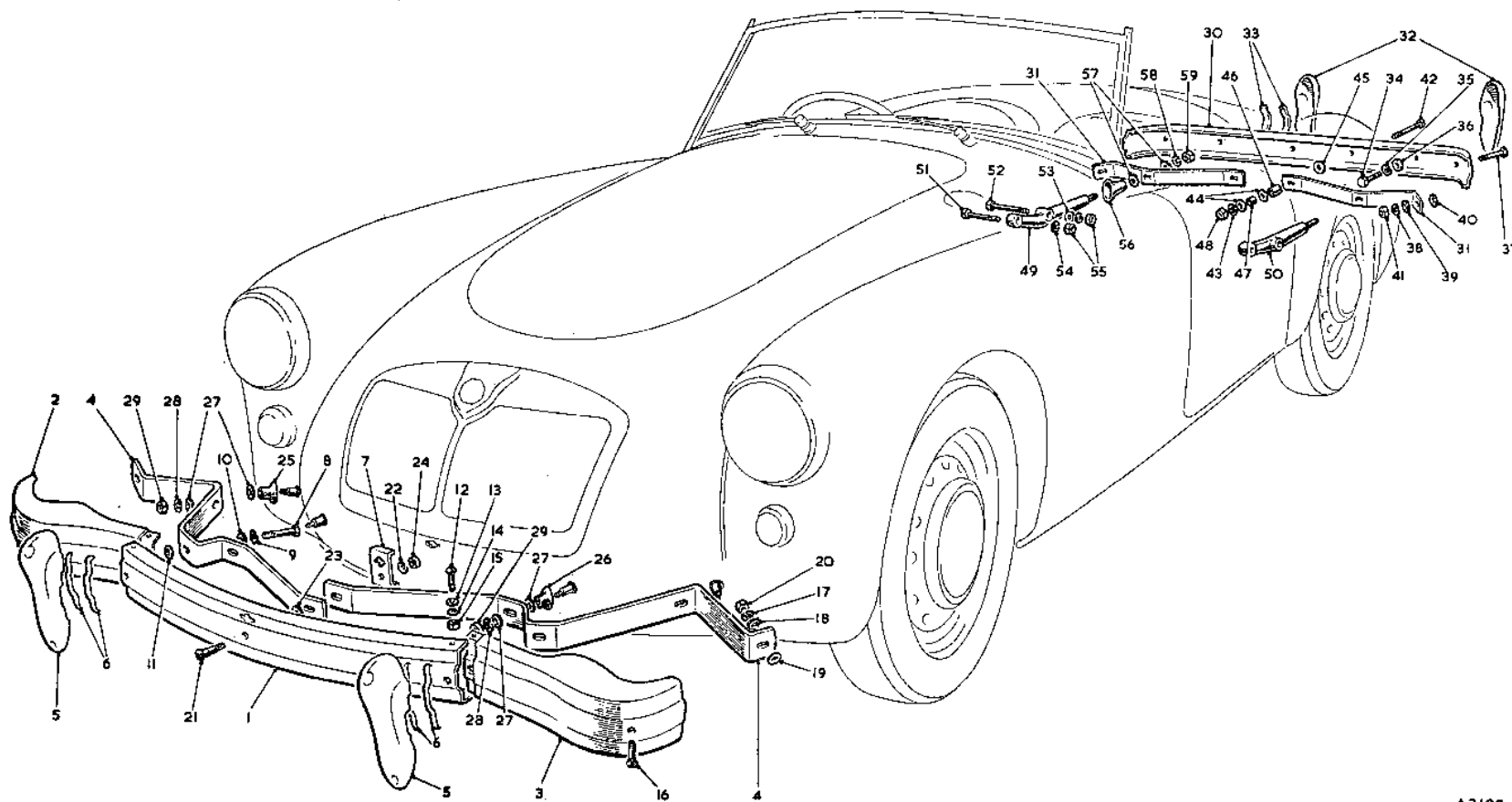


A2124

SERVICE PARTS LIST

THE M.G. Series MGA 1500

Item No.	DESCRIPTION	Commencing (C) 10101		Qty. per Vehicle		Unit of Issue	Type of Vehicle	MODIFICATIONS			REMARKS
		Part Number	Illus. No.	RHD	LHD			New Part Number	Change Point	Amdt. No.	
	NUMBER-PLATES AND FITTINGS										
1	Front number-plate	ACH5835	RH1	1	1						
2	Screw fixing plate to bracket	PMZ0410	RH2	2	2						
3	Washer (spring)—plate to bracket	LWZ204	RH3	2	2						
4	Nut for plate to bracket screw	FNZ104	RH4	2	2						
5	Bracket—R/H—number-plate	AHH5161	RH5	1	1						
6	Bracket—L/H—number-plate	AHH5162	RH6	1	1						
7	Screw fixing brackets to bumper	PMZ0408	RH7	2	2						
8	Washer (spring)—brackets to bumper	LWZ204	RH8	2	2						
9	Nut for bracket to bumper screw	FNZ104	RH9	2	2						
10	Rear number-plate	ADG474	RH10	1	1						
11	Lamp bracket	136271	RH11	1	1						
12	Bracket for number-plate mounting	AHH5151	RH12	1	1						
13	Rubber washer for number-plate	500946	RH13	4	4						
14	Screw fixing lamp bracket to mounting bracket	HZS0505	RH14	2	2						
15	Washer (plain)—bracket to bracket screw	PWZ105	RH15	2	2						
16	Washer (spring)—bracket to bracket screw	LWZ205	RH16	2	2	24					
17	Locknut for bracket to bracket screw	FNZ205	RH17	2	2						
18	Washer—packing—number-plate to bracket	AHH5712	RH18	2	2						
19	Screw fixing number-plate to bracket	PMZ0410	RH19	2	2						
20	Washer (plain)—plate to bracket	PWZ104	RH20	2	2						
21	Washer (spring)—plate to bracket	LWZ204	RH21	2	2						
22	Nut for number-plate to bracket screw	FNZ104	RH22	2	2						
23	Support—number-plate	AHA5211			1						North America only



A2122

SERVICE PARTS LIST

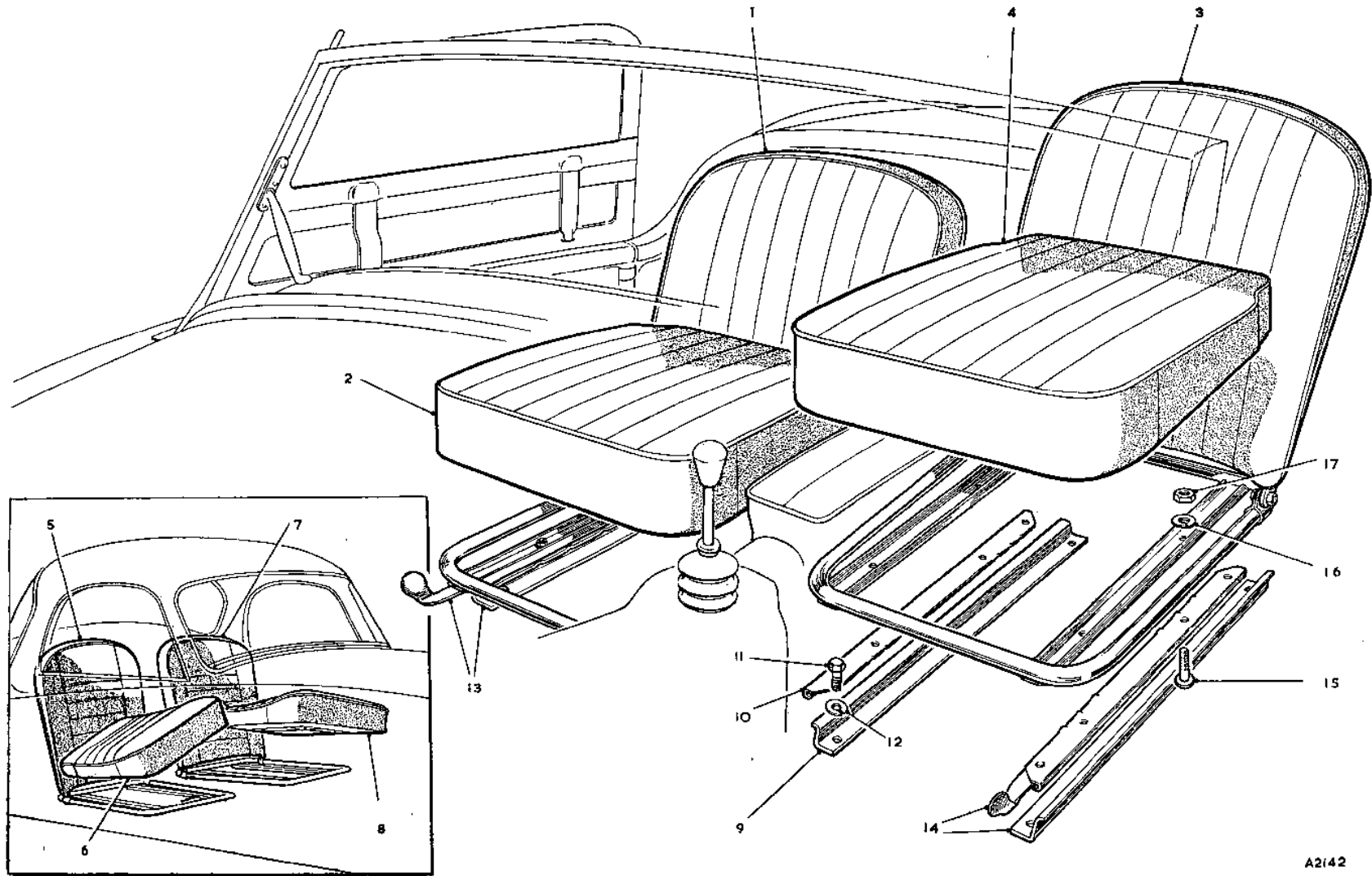
THE M.G. Series MGA 1500

Item No.	DESCRIPTION	Commencing (C) 10101		Qty. per Vehicle		Unit of Issue	Type of Vehicle	MODIFICATIONS			REMARKS
		Part Number	Illus. No.	RHD	LHD			New Part Number	Change Point	Amdt. No.	
	BUMPERS AND FITTINGS										
1	Front bumper assembly	N.S.P.									
2	Centre bar	AHH5474	RJ1	1	1						
3	Corner bar—R/H	AHH5486	RJ2	1	1						
4	Corner bar—L/H	AHH5487	RJ3	1	1						
5	Main spring	AHH5476	RJ4	2	2						
6	Over-rider assembly	AHH5478	RJ5	2	2						
7	P.V.C. moulding (4½")	AHH5488	RJ6	4	4						
8	Bracket for starting-handle	AHH5477	RJ7	1	1						
9	Bolt fixing over-rider to bumper bar	HBZ0620	RJ8	2	2						
10	Washer (spring) for over-rider to bumper bolt	LWZ206	RJ9	2	2						
11	Washer (plain) for over-rider to bumper bolt	PWZ106	RJ10	2	2						
12	Washer (special plain) for over-rider to bumper bolt	AHH5494	RJ11	2	2						
13	Bolt fixing corner bar to centre bar	AHH5491	RJ12	2	2						
14	Washer (special plain) for corner to centre bar bolt	AHH5492	RJ13	2	2						
15	Washer (spring) for corner to centre bar bolt	LWZ205	RJ14	2	2	24					
16	Nut for corner to centre bar bolt	FNZ105	RJ15	2	2						
17	Bolt fixing mainspring to corner bar	AHH5480	RJ16	2	2						
18	Washer (spring) for mainspring to corner bar bolt	LWZ206	RJ17	2	2						
19	Washer (plain) for mainspring to corner bar bolt	PWZ106	RJ18	2	2						
20	Washer (special plain) for mainspring to corner bar bolt	AHH5494	RJ19	2	2						
21	Nut for mainspring to corner bar bolt	FNZ106	RJ20	2	2						
22	Bolt fixing mainspring to centre	AHH5479	RJ21	1	1						
23	Washer (spring) for mainspring to centre bolt	LWZ206	RJ22	1	1						
24	Washer (special plain) for mainspring to centre bolt	AHH5494	RJ23	1	1						
25	Nut for mainspring to centre bolt	FNZ106	RJ24	1	1						
26	Grommet for outer stud	AHH5163	RJ25	2	2						
27	Grommet for inner stud	AHH5164	RJ26	2	2						
28	Washer (plain)	PWZ208	RJ27	8	8						
29	Washer (spring)	LWZ208	RJ28	4	4						
30	Nut for bumper support stud	FNZ108	RJ29	4	4						
31	Rear bumper assembly	N.S.P.									
32	Bumper bar	AHH5481	RJ30	1	1						
33	Mainspring	AHH5482	RJ31	2	2						
34	Over-rider assembly	AHH5478	RJ32	2	2						
35	P.V.C. moulding (4½")	AHH5488	RJ33	4	4						
36	Bolt fixing over-rider to bumper bar	HBZ0616	RJ34	2	2						
37	Washer (spring) for over-rider to bumper bolt	LWZ206	RJ35	2	2						
38	Washer (special plain) for over-rider to bumper bolt	AHH5494	RJ36	2	2						
39	Bolt—outer—fixing mainspring to bar	AHH5480	RJ37	2	2						
40	Washer (spring) for mainspring to bar bolt	LWZ206	RJ38	2	2						
41	Washer (plain) for mainspring to bar bolt	PWZ106	RJ39	2	2						
42	Washer (special plain) for mainspring to bar bolt	AHH5494	RJ40	2	2						
43	Nut for mainspring to bar bolt	FNZ106	RJ41	2	2						

SERVICE PARTS LIST

THE M.G. Series MGA 1500

Item No.	DESCRIPTION	Commencing (C) 10101		Qty. per Vehicle		Unit of Issue	Type of Vehicle	MODIFICATIONS			REMARKS
		Part Number	Illus. No.	RHD	LHD			New Part Number	Change Point	Amdt. No.	
	Bumpers and Fittings—continued										
1	Bolt—inner—fixing mainspring to bar	AHH5485	RJ42	2	2						
2	Washer (spring) for mainspring to bar bolt	LWZ206	RJ43	2	2						
3	Washer (plain) for mainspring to bar bolt	PWZ206	RJ44	4	4						
4	Washer (special plain) for mainspring to bar bolt	AHH5494	RJ45	2	2						
5	Distance piece for mainspring to bar bolt	AHH5483	RJ46	2	2						
6	Distance tube for mainspring to bar bolt	AH115484	RJ47	2	2						
7	Nut for mainspring to bar bolt	FNZ106	RJ48	2	2						
8	Bracket—R/H—rear bumper mounting	AHH5093	RJ49	1	1						
9	Bracket—L/H—rear bumper mounting	AHH5094	RJ50	1	1						
10	Bolt fixing bracket to frame	HBZ0730	RJ51	2	2						
11	Bolt fixing bracket to frame	HBZ0732	RJ52	2	2						
12	Washer (plain)	PWZ107	RJ53	2	2						
13	Washer (spring)	LWZ207	RJ54	4	4						
14	Nut for bracket to frame bolt	FNZ107	RJ55	4	4						
15	Grommet (rubber) for bracket	180383	RJ56	2	2						
16	Washer (plain) for bracket and bumper stud	PWZ208	RJ57	4	4						
17	Washer (spring) for bracket and bumper stud	LWZ208	RJ58	2	2						
18	Nut for bracket and bumper stud	FNZ108	RJ59	2	2						



A2/42

SERVICE PARTS LIST

THE M.G. Series MGA 1500

Item No.	DESCRIPTION	Commencing (C) 10101		Qty. per Vehicle		Unit of Issue	Type of Vehicle	MODIFICATIONS			REMARKS
		Part Number	Illus. No.	RHD	LHD			New Part Number	Change Point	Amdt. No.	
	SEAT AND SEAT FITTINGS										
1	Seat assembly—bucket—less cushion—R/H—Red	AFH2456	RK1	1	1						
2	Seat assembly—bucket—less cushion—R/H—Green	AFH5848		1	1						
3	Seat assembly—bucket—less cushion—R/H—Grey	AFH5850		1	1						
4	Seat assembly—bucket—less cushion—R/H—Black with Red piping	AFH5852		1	1						
5	Seat assembly—bucket—less cushion—R/H—Black with Green piping	AFH5854		1	1						
6	Seat assembly—bucket—less cushion—R/H—Black with Grey piping	AFH5856		1	1						
7	Seat assembly—bucket—less cushion—R/H—Black with White piping	AFH5858		1	1						
8	Squab assembly—bucket seat—R/H—Red	AFH2614		1	1						
9	Squab assembly—bucket seat—R/H—Green	AFH5872		1	1						
10	Squab assembly—bucket seat—R/H—Grey	AFH5874		1	1						
11	Squab assembly—bucket seat—R/H—Black with Red piping	AFH5876		1	1						
12	Squab assembly—bucket seat—R/H—Black with Green piping	AFH5878		1	1						
13	Squab assembly—bucket seat—R/H—Black with Grey piping	AFH5880		1	1						
14	Squab assembly—bucket seat—R/H—Black with White piping	AFH5882		1	1		Tourer				
15	Cover assembly—bucket seat squab—R/H—Red	AFH2612		1	1						
16	Cover assembly—bucket seat squab—R/H—Green	AFH6450		1	1						
17	Cover assembly—bucket seat squab—R/H—Grey	AFH6452		1	1						
18	Cover assembly—bucket seat squab—R/H—Black with Red piping	AFH6454		1	1						
19	Cover assembly—bucket seat squab—R/H—Black with Green piping	AFH6456		1	1						
20	Cover assembly—bucket seat squab—R/H—Black with Grey piping	AFH6458		1	1						
21	Cover assembly—bucket seat squab—R/H—Black with White piping	AFH6460		1	1						
22	Cushion assembly—bucket seat—R/H—Red	AFH2458	RK2	1	1						
23	Cushion assembly—bucket seat—R/H—Green	AFH5860		1	1						
24	Cushion assembly—bucket seat—R/H—Grey	AFH5862		1	1						
25	Cushion assembly—bucket seat—R/H—Black with Red piping	AFH5864		1	1						
26	Cushion assembly—bucket seat—R/H—Black with Green piping	AFH5866		1	1						
27	Cushion assembly—bucket seat—R/H—Black with Grey piping	AFH5868		1	1						
28	Cushion assembly—bucket seat—R/H—Black with White piping	AFH5870		1	1						

SERVICE PARTS LIST

THE M.G. Series MGA 1500

Item No.	DESCRIPTION	Commencing (C) 10101		Qty. per Vehicle		Unit of Issue	Type of Vehicle	MODIFICATIONS			REMARKS
		Part Number	Illus. No.	RHD	LHD			New Part Number	Change Point	Amdt. No.	
	Seat and Seat Fittings—continued										
1	Cover assembly—bucket seat cushion—R/H—Red	AFH2610		1	1						
2	Cover assembly—bucket seat cushion—R/H—Green	AFH5884		1	1						
3	Cover assembly—bucket seat cushion—R/H—Grey	AFH5886		1	1						
4	Cover assembly—bucket seat cushion—R/H—Black with Red piping	AFH5888		1	1						
5	Cover assembly—bucket seat cushion—R/H—Black with Green piping	AFH5890		1	1						
6	Cover assembly—bucket seat cushion—R/H—Black with Grey piping	AFH5892		1	1						
7	Cover assembly—bucket seat cushion—R/H—Black with White piping	AFH5894		1	1						
8	Seat assembly—bucket—less cushion—L/H—Red	AFH2457	RK3	1	1						
9	Seat assembly—bucket—less cushion—L/H—Green	AFH5849		1	1						
10	Seat assembly—bucket—less cushion—L/H—Grey	AFH5851		1	1						
11	Seat assembly—bucket—less cushion—L/H—Black with Red piping	AFH5853		1	1						
12	Seat assembly—bucket—less cushion—L/H—Black with Green piping	AFH5855		1	1						
13	Seat assembly—bucket—less cushion—L/H—Black with Grey piping	AFH5857		1	1						
14	Seat assembly—bucket—less cushion—L/H—Black with White piping	AFH5859		1	1						
15	Squab assembly—bucket seat—L/H—Red	AFH2615		1	1						
16	Squab assembly—bucket seat—L/H—Green	AFH5873		1	1		Tourer				
17	Squab assembly—bucket seat—L/H—Grey	AFH5875		1	1						
18	Squab assembly—bucket seat—L/H—Black with Red piping	AFH5877		1	1						
19	Squab assembly—bucket seat—L/H—Black with Green piping	AFH5879		1	1						
20	Squab assembly—bucket seat—L/H—Black with Grey piping	AFH5881		1	1						
21	Squab assembly—bucket seat—L/H—Black with White piping	AFH5883		1	1						
22	Cover assembly—bucket seat squab—L/H—Red	AFH2613		1	1						
23	Cover assembly—bucket seat squab—L/H—Green	AFH6451		1	1						
24	Cover assembly—bucket seat squab—L/H—Grey	AFH6453		1	1						
25	Cover assembly—bucket seat squab—L/H—Black with Red piping	AFH6455		1	1						
26	Cover assembly—bucket seat squab—L/H—Black with Green piping	AFH6457		1	1						
27	Cover assembly—bucket seat squab—L/H—Black with Grey piping	AFH6459		1	1						
28	Cover assembly—bucket seat squab—L/H—Black with White piping	AFH6461		1	1						

SERVICE PARTS LIST

THE M.G. Series MGA 1500

Item No.	DESCRIPTION	Commencing (C) 10101		Qty. per Vehicle		Unit of Issue	Type of Vehicle	MODIFICATIONS			REMARKS
		Part Number	Illus. No.	RHD	LHD			New Part Number	Change Point	Amdt. No.	
	Seat and Seat Fittings—continued										
1	Cushion assembly—bucket seat—L/H—Red	AFH2459	RK4	.1	.1		Tourer				
2	Cushion assembly—bucket seat—L/H—Green	AFH5861		.1	.1						
3	Cushion assembly—bucket seat—L/H—Grey	AFH5863		.1	.1						
4	Cushion assembly—bucket seat—L/H—Black with Red piping	AFH5865		.1	.1						
5	Cushion assembly—bucket seat—L/H—Black with Green piping	AFH5867		.1	.1						
6	Cushion assembly—bucket seat—L/H—Black with Grey piping	AFH5869		.1	.1						
7	Cushion assembly—bucket seat—L/H—Black with White piping	AFH5871		.1	.1						
8	Cover assembly—bucket seat cushion—L/H—Red	AFH2611		.1	.1						
9	Cover assembly—bucket seat cushion—L/H—Green	AFH5885		.1	.1						
10	Cover assembly—bucket seat cushion—L/H—Grey	AFH5887		.1	.1						
11	Cover assembly—bucket seat cushion—L/H—Black with Red piping	AFH5889		.1	.1						
12	Cover assembly—bucket seat cushion—L/H—Black with Green piping	AFH5891		.1	.1						
13	Cover assembly—bucket seat cushion—L/H—Black with Grey piping	AFH5893		.1	.1						
14	Cover assembly—bucket seat cushion—L/H—Black with White piping	AFH5895		.1	.1						
15	Seat assembly—bucket—less cushion—R/H—Red	AFH4632	RK5	.1	.1		Coupé				
16	Seat assembly—bucket—less cushion—R/H—Green	AFH5490		.1	.1						
17	Seat assembly—bucket—less cushion—R/H—Grey	AFH5492		.1	.1						
18	Seat assembly—bucket—less cushion—R/H—Black with Red piping	AFH5496		.1	.1						
19	Seat assembly—bucket—less cushion—R/H—Black with Green piping	AFH5498		.1	.1						
20	Seat assembly—bucket—less cushion—R/H—Black with White piping	AFH5494		.1	.1						
21	Seat assembly—bucket—less cushion—R/H—Black with Blue piping	AFH5500		.1	.1						
22	Squab assembly—bucket seat—R/H—Red	AFH4636		.1	.1						
23	Squab assembly—bucket seat—R/H—Green	AFH5514		.1	.1						
24	Squab assembly—bucket seat—R/H—Grey	AFH5516		.1	.1						
25	Squab assembly—bucket seat—R/H—Black with Red piping	AFH5520		.1	.1						
26	Squab assembly—bucket seat—R/H—Black with Green piping	AFH5522		.1	.1						
27	Squab assembly—bucket seat—R/H—Black with White piping	AFH5518		.1	.1						
28	Squab assembly—bucket seat—R/H—Black with Blue piping	AFH5424		.1	.1						

SERVICE PARTS LIST

THE M.G. Series MGA 1500

Item No.	DESCRIPTION	Commencing (C) 20671		Qty. per Vehicle		Unit of Issue	Type of Vehicle	MODIFICATIONS			REMARKS
		Part Number	Illus. No.	RHD	LHD			New Part Number	Change Point	Amtd. No.	
	Seat and Seat Fittings—continued										
1	Cover assembly—bucket seat squab—R/H—Red	AFH4640		1	1						
2	Cover assembly—bucket seat squab—R/H—Green	AFH5538		1	1						
3	Cover assembly—bucket seat squab—R/H—Grey	AFH5540		1	1						
4	Cover assembly—bucket seat squab—R/H—Black with Red piping	AFH5544		1	1						
5	Cover assembly—bucket seat squab—R/H—Black with Green piping	AFH5546		1	1						
6	Cover assembly—bucket seat squab—R/H—Black with White piping	AFH5542		1	1						
7	Cover assembly—bucket seat squab—R/H—Black with Blue piping	AFH5548		1	1						
8	Cushion assembly—bucket seat—R/H—Red	AFH4634	RK6	1	1						
9	Cushion assembly—bucket seat—R/H—Green	AFH5502		1	1						
10	Cushion assembly—bucket seat—R/H—Grey	AFH5504		1	1						
11	Cushion assembly—bucket seat—R/H—Black with Red piping	AFH5508		1	1						
12	Cushion assembly—bucket seat—R/H—Black with Green piping	AFH5510		1	1						
13	Cushion assembly—bucket seat—R/H—Black with White piping	AFH5506		1	1						
14	Cushion assembly—bucket seat—R/H—Black with Blue piping	AFH5512		1	1						
15	Cover assembly—bucket seat cushion—R/H—Red	AFH4638		1	1		Coupe				
16	Cover assembly—bucket seat cushion—R/H—Green	AFH5526		1	1						
17	Cover assembly—bucket seat cushion—R/H—Grey	AFH5528		1	1						
18	Cover assembly—bucket seat cushion—R/H—Black with Red piping	AFH5532		1	1						
19	Cover assembly—bucket seat cushion R/H Black with Green piping	AFH5534		1	1						
20	Cover assembly—bucket seat cushion—R/H—Black with White piping	AFH5530		1	1						
21	Cover assembly—bucket seat cushion—R/H—Black with Blue piping	AFH5536		1	1						
22	Seat assembly—bucket—less cushion—L/H—Red	AFH4633	RK7	1	1						
23	Seat assembly—bucket—less cushion—L/H—Green	AFH5491		1	1						
24	Seat assembly—bucket—less cushion—L/H—Grey	AFH5493		1	1						
25	Seat assembly—bucket—less cushion—L/H—Black with Red piping	AFH5497		1	1						
26	Seat assembly—bucket—less cushion—L/H—Black with Green piping	AFH5499		1	1						
27	Seat assembly—bucket—less cushion—L/H—Black with White piping	AFH5495		1	1						
28	Seat assembly—bucket—less cushion—L/H—Black with Blue piping	AFH5501		1	1						

SERVICE PARTS LIST

THE M.G. Series MGA 1500

Item No.	DESCRIPTION	Commencing (C) 20671		Qty. per Vehicle		Unit of Issue	Type of Vehicle	MODIFICATIONS			REMARKS
		Part Number	Illus. No.	RHD	LHD			New Part Number	Change Point	Amdt. No.	
	Seat and Seat Fittings—continued										
1	Squab assembly—bucket seat—L/H—Red	AFH4687		1	1						
2	Squab assembly—bucket seat—L/H—Green	AFH5515		1	1						
3	Squab assembly—bucket seat—L/H—Grey	AFH5517		1	1						
4	Squab assembly—bucket seat—L/H—Black with Red piping	AFH5521		1	1						
5	Squab assembly—bucket seat—L/H—Black with Green piping	AFH5523		1	1						
6	Squab assembly—bucket seat—L/H—Black with White piping	AFH5519		1	1						
7	Squab assembly—bucket seat—L/H—Black with Blue piping	AFH5425		1	1						
8	Cover assembly—bucket seat squab—L/H—Red	AFH4641		1	1						
9	Cover assembly—bucket seat squab—L/H—Green	AFH5539		1	1						
10	Cover assembly—bucket seat squab—L/H—Grey	AFH5541		1	1						
11	Cover assembly—bucket seat squab—L/H—Black with Red piping	AFH5545		1	1						
12	Cover assembly—bucket seat squab—L/H—Black with Green piping	AFH5547		1	1						
13	Cover assembly—bucket seat squab—L/H—Black with White piping	AFH5543		1	1		Coupe				
14	Cover assembly—bucket seat squab—L/H—Black with Blue piping	AFH5549		1	1						
15	Cushion assembly—bucket seat—L/H—Red	AFH4635	RK8	1	1						
16	Cushion assembly—bucket seat—L/H—Green	AFH5503		1	1						
17	Cushion assembly—bucket seat—L/H—Grey	AFH5505		1	1						
18	Cushion assembly—bucket seat—L/H—Black with Red piping	AFH5509		1	1						
19	Cushion assembly—bucket seat—L/H—Black with Green piping	AFH5511		1	1						
20	Cushion assembly—bucket seat—L/H—Black with White piping	AFH5507		1	1						
21	Cushion assembly—bucket seat—L/H—Black with Blue piping	AFH5513		1	1						
22	Cover assembly—bucket seat cushion—L/H—Red	AFH4639		1	1						
23	Cover assembly—bucket seat cushion—L/H—Green	AFH5527		1	1						
24	Cover assembly—bucket seat cushion—L/H—Grey	AFH5529		1	1						
25	Cover assembly—bucket seat cushion—L/H—Black with Red piping	AFH5533		1	1						
26	Cover assembly—bucket seat cushion—L/H—Black with Green piping	AFH5535		1	1						
27	Cover assembly—bucket seat cushion—L/H—Black with White piping	AFH5531		1	1						
28	Cover assembly—bucket seat cushion—L/H—Black with Blue piping	AFH5537		1	1						

SERVICE PARTS LIST

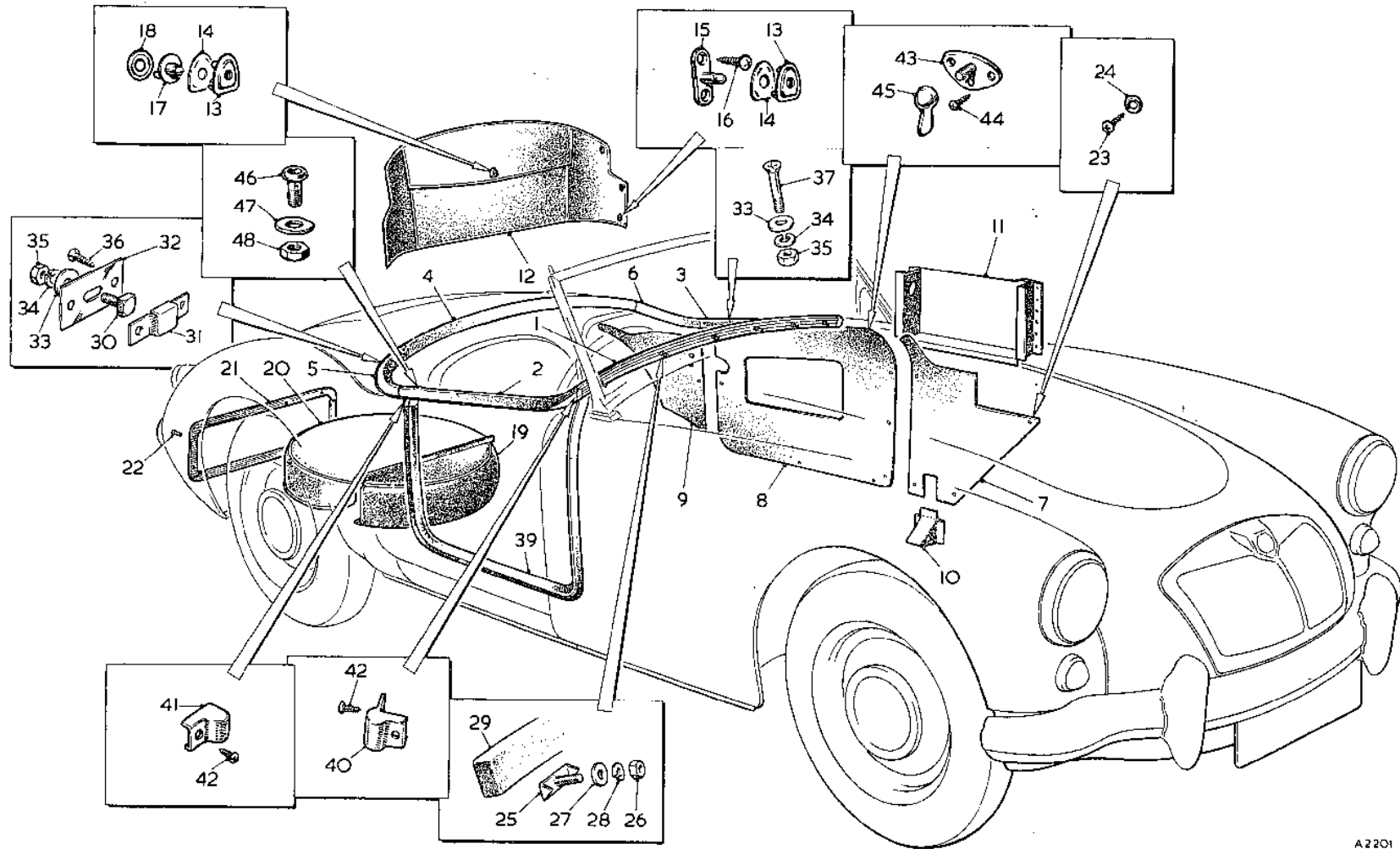
THE M.G. Series MGA 1500

Item No.	DESCRIPTION	Commencing (C) 10101		Qty. per Vehicle		Unit of Issue	Type of Vehicle	MODIFICATIONS			REMARKS
		Part Number	Illus. No.	RHD	LHD			New Part Number	Change Point	Amdt. No.	
	Seat and Seat Fittings—continued										
1	Seat rail—floor rack	AHH5509	RK9	4	4						
2	Slide—seat catch	AHH5510	RK10	2	2						
3	Screw fixing seat rail to floor	HPZ0405	RK11	8	8						
4	Washer (spring) for rail to floor screw	LWZ204	RK12	8	8						
5	Slide assembly—R/H seat catch	AHH5511	RK13	1	1						
6	Slide assembly—L/H seat catch	AHH5512	RK14	1	1						
7	Screw fixing seat to runner	CMZ0410	RK15	16	16						
8	Washer (spring)	LWZ204	RK16	16	16						
9	Nut for seat to runner screw	FNZ104	RK17	16	16						
	COMPETITION DE-LUXE SEATS (Optional Extra)										
10	Bucket seat assembly—R/H (Red)	AFH5666		1	1						When these seats are requested after car delivery AHH5748 and AHH5749 floorboards and 16 off CMZ0420 screw must also be supplied
11	Bucket seat assembly—L/H (Red)	AFH5667		1	1						
12	Bucket seat assembly—R/H (Green)	AFH5668		1	1						
13	Bucket seat assembly—L/H (Green)	AFH5669		1	1						
14	Bucket seat assembly—R/H (Grey)	AFH5670		1	1						
15	Bucket seat assembly—L/H (Grey)	AFH5671		1	1						
16	Bucket seat assembly—R/H (Black/White)	AFH5672		1	1						
17	Bucket seat assembly—L/H (Black/White)	AFH5673		1	1						
18	Bucket seat assembly—R/H (Black/Red)	AFH5674		1	1						
19	Bucket seat assembly—L/H (Black/Red)	AFH5675		1	1						
20	Bucket seat assembly—R/H (Black/Green)	AFH5676		1	1						
21	Bucket seat assembly—L/H (Black/Green)	AFH5677		1	1						
22	Bucket seat assembly—R/H (Black/Blue)	AFH6560		1	1						
23	Bucket seat assembly—L/H (Black/Blue)	AFH6561		1	1						
24	Bucket seat frame assembly—R/H	AFH5478		1	1						
25	Bucket seat frame assembly—L/H	AFH5479		1	1						
26	Bucket seat squab—R/H (Red)	AFH5680		1	1						
27	Bucket seat squab—L/H (Red)	AFH5681		1	1						
28	Bucket seat squab—R/H (Green)	AFH5682		1	1						
29	Bucket seat squab—L/H (Green)	AFH5683		1	1						
30	Bucket seat squab—R/H (Grey)	AFH5684		1	1						
31	Bucket seat squab—L/H (Grey)	AFH5685		1	1						
32	Bucket seat squab—R/H (Black/White)	AFH5686		1	1						
33	Bucket seat squab—L/H (Black/White)	AFH5687		1	1						
34	Bucket seat squab—R/H (Black/Red)	AFH5688		1	1						
35	Bucket seat squab—L/H (Black/Red)	AFH5689		1	1						
36	Bucket seat squab—R/H (Black/Green)	AFH5690		1	1						
37	Bucket seat squab—L/H (Black/Green)	AFH5691		1	1						
38	Bucket seat squab—R/H (Black/Blue)	AFH6562		1	1						
39	Bucket seat squab—L/H (Black/Blue)	AFH6563		1	1						

SERVICE PARTS LIST

THE M.G. Series MGA 1500

Item No.	DESCRIPTION	Commencing (C) 10101		Qty. per Vehicle		Unit of Issue	Type of Vehicle	MODIFICATIONS			REMARKS
		Part Number	Illus. No.	RHD	LHD			New Part Number	Change Point	Amdt. No.	
	Seat and Seat Fittings—continued										
1	Bucket seat squab cover—R/H (Red)	AFH5708		1	1						
2	Bucket seat squab cover—L/H (Red)	AFH5709		1	1						
3	Bucket seat squab cover—R/H (Green)	AFH5710		1	1						
4	Bucket seat squab cover—L/H (Green)	AFH5711		1	1						
5	Bucket seat squab cover—R/H (Grey)	AFH5712		1	1						
6	Bucket seat squab cover—L/H (Grey)	AFH5713		1	1						
7	Bucket seat squab cover—R/H (Black/White)	AFH5714		1	1						
8	Bucket seat squab cover—L/H (Black/White)	AFH5715		1	1						
9	Bucket seat squab cover—R/H (Black/Red)	AFH5716		1	1						
10	Bucket seat squab cover—L/H (Black/Red)	AFH5717		1	1						
11	Bucket seat squab cover—R/H (Black/Green)	AFH5718		1	1						
12	Bucket seat squab cover—L/H (Black/Green)	AFH5719		1	1						
13	Bucket seat squab cover—R/H (Black/Blue)	AFH6566		1	1						
14	Bucket seat squab cover—L/H (Black/Blue)	AFH6567		1	1						
15	Bucket seat back casing (Red)	AFH5736		2	2						
16	Bucket seat back casing (Green)	AFH5737		2	2						
17	Bucket seat back casing (Grey)	AFH5738		2	2						
18	Bucket seat back casing (Black/White)	AFH5739		2	2						
19	Bucket seat back casing (Black/Red)	AFH5740		2	2						
20	Bucket seat back casing (Black/Green)	AFH5741		2	2						
21	Bucket seat back casing (Black/Blue)	AFH6570		2	2						
22	Bucket seat cushion—R/H (Red)	AFH5694		1	1						
23	Bucket seat cushion—L/H (Red)	AFH5695		1	1						
24	Bucket seat cushion—R/H (Green)	AFH5696		1	1						
25	Bucket seat cushion—L/H (Green)	AFH5697		1	1						
26	Bucket seat cushion—R/H (Grey)	AFH5698		1	1						
27	Bucket seat cushion—L/H (Grey)	AFH5699		1	1						
28	Bucket seat cushion—R/H (Black/White)	AFH5700		1	1						
29	Bucket seat cushion—L/H (Black/White)	AFH5701		1	1						
30	Bucket seat cushion—R/H (Black/Red)	AFH5702		1	1						
31	Bucket seat cushion—L/H (Black/Red)	AFH5703		1	1						
32	Bucket seat cushion—R/H (Black/Green)	AFH5704		1	1						
33	Bucket seat cushion—L/H (Black/Green)	AFH5705		1	1						
34	Bucket seat cushion—R/H (Black/Blue)	AFH6564		1	1						
35	Bucket seat cushion—L/H (Black/Blue)	AFH6565		1	1						
36	Bucket seat cushion cover—R/H (Red)	AFH5722		1	1						
37	Bucket seat cushion cover—L/H (Red)	AFH5723		1	1						
38	Bucket seat cushion cover—R/H (Green)	AFH5724		1	1						
39	Bucket seat cushion cover—L/H (Green)	AFH5725		1	1						
40	Bucket seat cushion cover—R/H (Grey)	AFH5726		1	1						
41	Bucket seat cushion cover—L/H (Grey)	AFH5727		1	1						
42	Bucket seat cushion cover—R/H (Black/White)	AFH5728		1	1						
43	Bucket seat cushion cover—L/H (Black/White)	AFH5729		1	1						
44	Bucket seat cushion cover—R/H (Black/Red)	AFH5730		1	1						
45	Bucket seat cushion cover—L/H (Black/Red)	AFH5731		1	1						
46	Bucket seat cushion cover—R/H (Black/Green)	AFH5732		1	1						
47	Bucket seat cushion cover—L/H (Black/Green)	AFH5733		1	1						
48	Bucket seat cushion cover—R/H (Black/Blue)	AFH6568		1	1						
49	Bucket seat cushion cover—L/H (Black/Blue)	AFH6569		1	1						



A2201

SERVICE PARTS LIST

THE M.G. Series MGA 1500

Item No.	DESCRIPTION	Commencing (C) 10101		Qty. per Vehicle		Unit of Issue	Type of Vehicle	MODIFICATIONS			REMARKS
		Part Number	Illus. No.	RHD	LHD			New Part Number	Change Point	Amdt. No.	
	TRIMMING										
1	Dash trim roll assembly—all colours	AFH2555	RL1	1	1				Fin. (B) 5499		
2	Dash trim roll assembly—Red			1	1			AFH3740			
3	Dash trim roll assembly—Green			1	1			AFH6468			
4	Dash trim roll assembly—Grey			1	1			AFH6469			
5	Dash trim roll assembly—Black/Red			1	1			AFH6470	Com. (B) 5500		
6	Dash trim roll assembly—Black/Green			1	1			AFH6471			
7	Dash trim roll assembly—Black/Grey			1	1			AFH6472			
8	Dash trim roll assembly—Black/White			1	1			AFH6473			
9	Door trim roll assembly—R/H—all colours	AFH2556	RL2	1	1				Fin. (B) 5499		
10	Door trim roll assembly—R/H—Red			1	1			AFH3742			
11	Door trim roll assembly—R/H—Green			1	1			AFH6492			
12	Door trim roll assembly—R/H—Grey			1	1			AFH6494			
13	Door trim roll assembly—R/H—Black/Red			1	1			AFH6496	Com. (B) 5500		
14	Door trim roll assembly—R/H—Black/Green			1	1			AFH6498			
15	Door trim roll assembly—R/H—Black/Grey			1	1			AFH6500			
16	Door trim roll assembly—R/H—Black/White			1	1			AFH6502			
17	Door trim roll assembly—L/H—all colours	AFH2557	RL3	1	1				Fin. (B) 5499		
18	Door trim roll assembly—L/H—Red			1	1			AFH3743			
19	Door trim roll assembly—L/H—Green			1	1			AFH6493			
20	Door trim roll assembly—L/H—Grey			1	1			AFH6495			
21	Door trim roll assembly—L/H—Black/Red			1	1		Tourer	AFH6497	Com. (B) 5500		
22	Door trim roll assembly—L/H—Black/Green			1	1			AFH6499			
23	Door trim roll assembly—L/H—Black/Grey			1	1			AFH6501			
24	Door trim roll assembly—L/H—Black/White			1	1			AFH6503			
25	Rear trim roll assembly—centre—all colours	AFH2556	RL4	1	1				Fin. (B) 5499		
26	Rear trim roll assembly—centre—Red			1	1			AFH3741			
27	Rear trim roll assembly—centre—Green			1	1			AFH6474			
28	Rear trim roll assembly—centre—Grey			1	1			AFH6475			
29	Rear trim roll assembly—centre—Black/Red			1	1			AFH6476	Com. (B) 5500		
30	Rear trim roll assembly—centre—Black/Green			1	1			AFH6477			
31	Rear trim roll assembly—centre—Black/Grey			1	1			AFH6478			
32	Rear trim roll assembly—centre—Black/White			1	1			AFH6479			
33	Rear trim roll assembly—R/H end—all colours	AFH2558	RL5	1	1				Fin. (B) 5499		
34	Rear trim roll assembly—R/H end—Red			1	1			AFH3744			
35	Rear trim roll assembly—R/H end—Green			1	1			AFH6480			
36	Rear trim roll assembly—R/H end—Grey			1	1			AFH6482			
37	Rear trim roll assembly—R/H end—Black/Red			1	1			AFH6484	Com. (B) 5500		
38	Rear trim roll assembly—R/H end—Black/Green			1	1			AFH6486			
39	Rear trim roll assembly—R/H end—Black/Grey			1	1			AFH6488			
40	Rear trim roll assembly—R/H end—Black/White			1	1			AFH6490			

SERVICE PARTS LIST

THE M.G. Series MGA 1500

Item No.	DESCRIPTION	Commencing (C) 10101		Qty. per Vehicle		Unit of Issue	Type of Vehicle	MODIFICATIONS			REMARKS
		Part Number	Illus. No.	RHD	LHD			New Part Number	Change Point	Amdt. No.	
	Trimming—continued										
1	Rear trim roll assembly—L/H end—all colours	AFH2559	RL6	1	1						
2	Rear trim roll assembly—L/H end—Red			1	1			AFH3745	Fin. (B) 5499		
3	Rear trim roll assembly—L/H end—Green			1	1			AFH6481			
4	Rear trim roll assembly—L/H end—Grey			1	1			AFH6483	Com. (B) 5500		
5	Rear trim roll assembly—L/H end—Black/Red			1	1			AFH6485			
6	Rear trim roll assembly—L/H end—Black/Green			1	1			AFH6487			
7	Rear trim roll assembly—L/H end—Black/Grey			1	1			AFH6489			
8	Rear trim roll assembly—L/H end—Black/White			1	1			AFH6491			
9	Liner assembly—dash side—R/H—Red	AFH2560		1	1						
10	Liner assembly—dash side—R/H—Green	AFH6504		1	1						
11	Liner assembly—dash side—R/H—Grey	AFH6506		1	1						
12	Liner assembly—dash side—R/H—Black	AFH6508		1	1						
13	Liner assembly—dash side—L/H—Red	AFH2561	RL7	1	1						
14	Liner assembly—dash side—L/H—Green	AFH6505		1	1						
15	Liner assembly—dash side—L/H—Grey	AFH6507		1	1						
16	Liner assembly—dash side—L/H—Black	AFH6509		1	1						
17	Liner assembly—door—R/H—Red	AFH2562		1	1						
18	Liner assembly—door—R/H—Green	AFH6510		1	1						
19	Liner assembly—door—R/H—Grey	AFH6512		1	1						
20	Liner assembly—door—R/H—Black	AFH6514		1	1						
21	Liner assembly—door—L/H—Red	AFH2563	RL8	1	1						
22	Liner assembly—door—L/H—Green	AFH6511		1	1		Tourer				
23	Liner assembly—door—L/H—Grey	AFH6513		1	1						
24	Liner assembly—door—L/H—Black	AFH6515		1	1						
25	Liner assembly—rear quarter—R/H—Red	AFH2564		1	1						
26	Liner assembly—rear quarter—R/H—Green	AFH6516		1	1						
27	Liner assembly—rear quarter—R/H—Grey	AFH6518		1	1						
28	Liner assembly—rear quarter—R/H—Black	AFH6520		1	1						
29	Liner assembly—rear quarter—L/H—Red	AFH2565	RL9	1	1						
30	Liner assembly—rear quarter—L/H—Green	AFH6517		1	1						
31	Liner assembly—rear quarter—L/H—Grey	AFH6519		1	1						
32	Liner assembly—rear quarter—L/H—Black	AFH6521		1	1						
33	Dash side mounting cover assembly—Red	AFH2567	RL10	2	2						
34	Dash side mounting cover assembly—Green	AFH5606		2	2						
35	Dash side mounting cover assembly—Grey	AFH5607		2	2						
36	Dash side mounting cover assembly—Black	AFH5608		2	2						
37	Door pocket assembly—R/H—Red	AFH2568		1	1						
38	Door pocket assembly—R/H—Green	AFH6522		1	1						
39	Door pocket assembly—R/H—Grey	AFH6524		1	1						
40	Door pocket assembly—R/H—Black	AFH6526		1	1						
41	Door pocket assembly—L/H—Red	AFH2569	RL11	1	1						
42	Door pocket assembly—L/H—Green	AFH6523		1	1						
43	Door pocket assembly—L/H—Grey	AFH6525		1	1						
44	Door pocket assembly—L/H—Black	AFH6527		1	1						

SERVICE PARTS LIST

THE M.G. Series MGA 1500

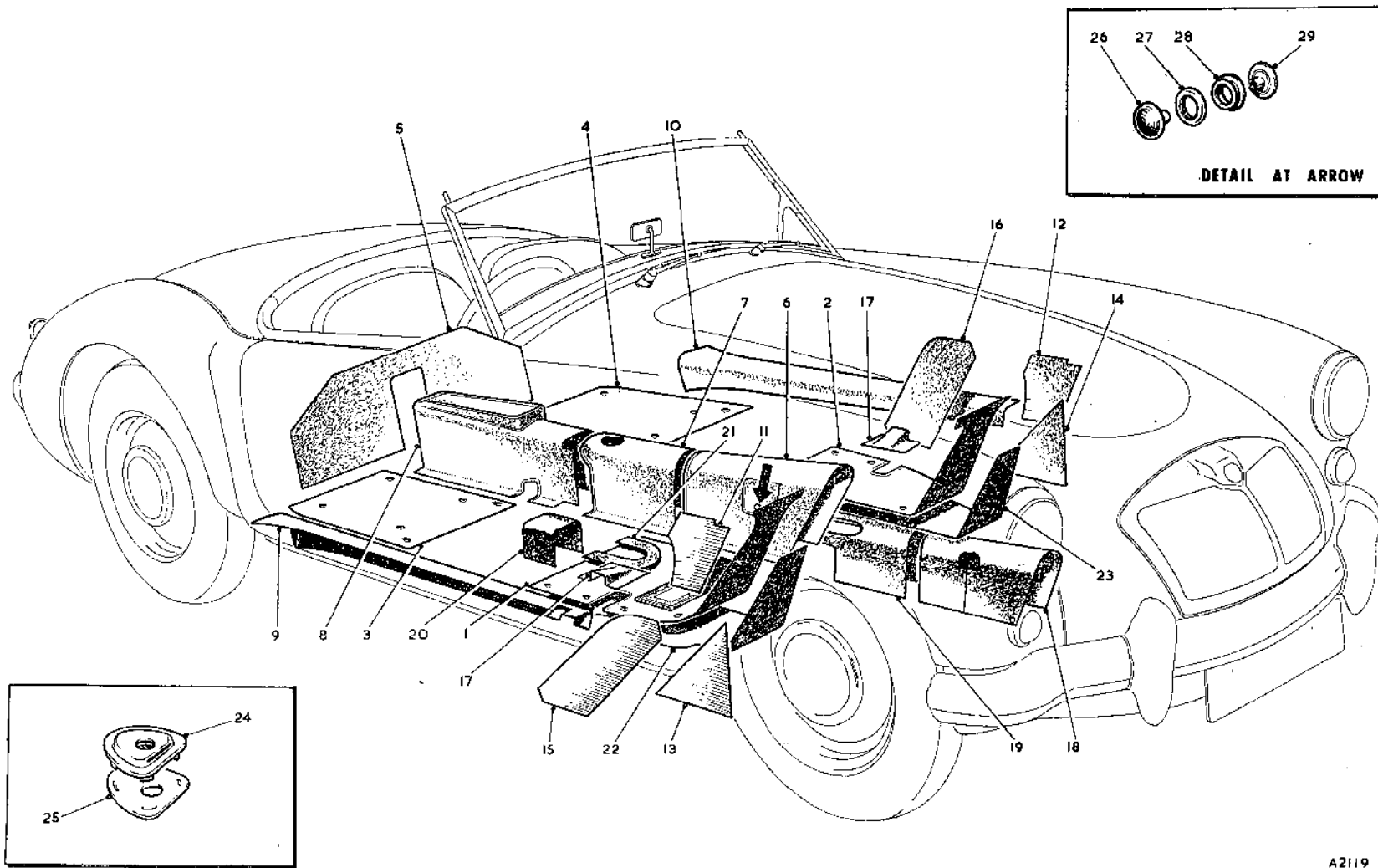
Item No.	DESCRIPTION	Commencing (C) 10101		Qty. per Vehicle		Unit of Issue	Type of Vehicle	MODIFICATIONS			REMARKS
		Part Number	Illus. No.	RHD	LHD			New Part Number	Change Point	Amdt. No.	
	Trimming—continued										
1	Stowage assembly—side-curtain—Red	AFH2570	RL12	1	1						
2	Stowage assembly—side-curtain—Green	AFH5896		1	1						
3	Stowage assembly—side-curtain—Grey	AFH5897		1	1						
4	Stowage assembly—side-curtain—Black	AFH5898		1	1						
5	Centre arm-rest cover assembly—Red	AFH2609		1	1						
6	Centre arm-rest cover assembly—Green	AFH6462		1	1						
7	Centre arm-rest cover assembly—Grey	AFH6463		1	1						
8	Centre arm-rest cover assembly—Black/Red	AFH6464		1	1						
9	Centre arm-rest cover assembly—Black/Green	AFH6465		1	1						
10	Centre arm-rest cover assembly—Black/Grey	AFH6466		1	1						
11	Centre arm-rest cover assembly—Black/White	AFH6467		1	1						
12	Piping for trim roll—Red	AFH4835		A/R	A/R						
13	Piping for trim roll—Green	AFH4836		A/R	A/R						
14	Piping for trim roll—Grey	AFH4837		A/R	A/R						
15	Piping for trim roll—White	AFH4838		A/R	A/R						
16	Lift-the-dot fastener	7H9961	RL13	7	7						
17	Lift-the-dot clinch plate	7H9963	RL14	7	7						
18	Screw—base peg	97H499	RL15	6	6						
19	Screw—peg	RTP605	RL16	12	12						
20	Pronged clinch	7H9964	RL17	1	1						
21	Plate for pronged clinch	7H9960	RL18	1	1						
22	Spare wheel cover—front	AFH2571	RL19	1	1		Tourer				
23	Spare wheel cover—rear	AFH2572	RL20	1	1						
24	Spare wheel cover frame	AFH1731	RL21	1	1						
25	Rivets for cover frame	AFH5452	RL22	12	12						
26	Screw fixing door liner	RTP407		4	4						
27	Screw fixing liner and pockets	RTP404	RL23	4	4						
28	Cup washer for liner and pockets screw	7701	RL24	8	8						
29	Bolt fixing trim roll end—dash	AFH1900	RL25	6	6						
30	Nut for dash trim roll bolt	FNZ103	RL26	6	6						
31	Washer (plain)	PWZ203	RL27	6	6						
32	Washer (spring)	LWZ203	RL28	6	6						
33	Trim roll rubber for bonnet surround	AFH1846	RL29	1	1						
34	Bolt (special) for trim roll	AFH2819	RL30	9	9						
35	Retainer for special bolt	AFH2820	RL31	9	9						
36	Base plate for retainer	AFH2821	RL32	9	9						
37	Washer (plain) for trim roll to body	PWZ203	RL33	15	15						
38	Washer (spring) for trim roll to body	LWZ203	RL34	15	15						
39	Nut for trim roll to body	FNZ103	RL35	15	15						
40	Screw fixing retainer to trim roll	CTZ604	RL36	18	18						
41	Screw fixing trim roll	CMZ0320	RL37	6	6						
42	Screw fixing tacking strip to castings	CTZ403		14	14						

Supply in sets prior to (B) 5500

SERVICE PARTS LIST

THE M.G. Series MGA 1500

Item No.	DESCRIPTION	Commencing (C) 10101		Qty. per Vehicle		Unit of Issue	Type of Vehicle	MODIFICATIONS			REMARKS
		Part Number	Illus. No.	RHD	LHD			New Part Number	Change Point	Amdt. No.	
	Trimming—continued										
1	Door sealing rubber and clip assembly—63"—Red	AFH2451	RL39	2	2						
2	Door sealing rubber and clip assembly—63"—Green	AFH2452		2	2						
3	Door sealing rubber and clip assembly—63"—Grey	AFH2453		2	2						
4	Door sealing rubber and clip assembly—63"—Black	AFH2455		2	2						
5	Finisher—hinge pillar—R/H door seal	AFH2574	RL40	1	1						
6	Finisher—hinge pillar	AFH2575		1	1						
7	Finisher—shut pillar—R/H door seal	AFH2576	RL41	1	1						
8	Finisher—shut pillar—L/H door seal	AFH2577		1	1						
9	Screw fixing finisher	RTP605	RL42	8	8						
10	Stud fixing side-curtain	MB21959	RL43	2	2		Tourer				
11	Screw fixing side-curtain stud	RTP805	RL44	6	6						
12	Locking handle for side-curtain	MB19331	RL45	2	2						
13	Socket for curtain peg	AFH1744	RL46	2	2						
14	Washer (special) for curtain peg socket	AFH2579	RL47	2	2						
15	Nut for curtain peg socket	FNZ208	RL48	2	2						
16	Leathercloth (Red)—50" wide	AFH1831		A/R	A/R						
17	Leathercloth (Green)—50" wide	AFH1832		A/R	A/R						
18	Leathercloth (Grey)—50" wide	AFH1833		A/R	A/R						
19	Leathercloth (Black)—50" wide	AFH1834		A/R	A/R						

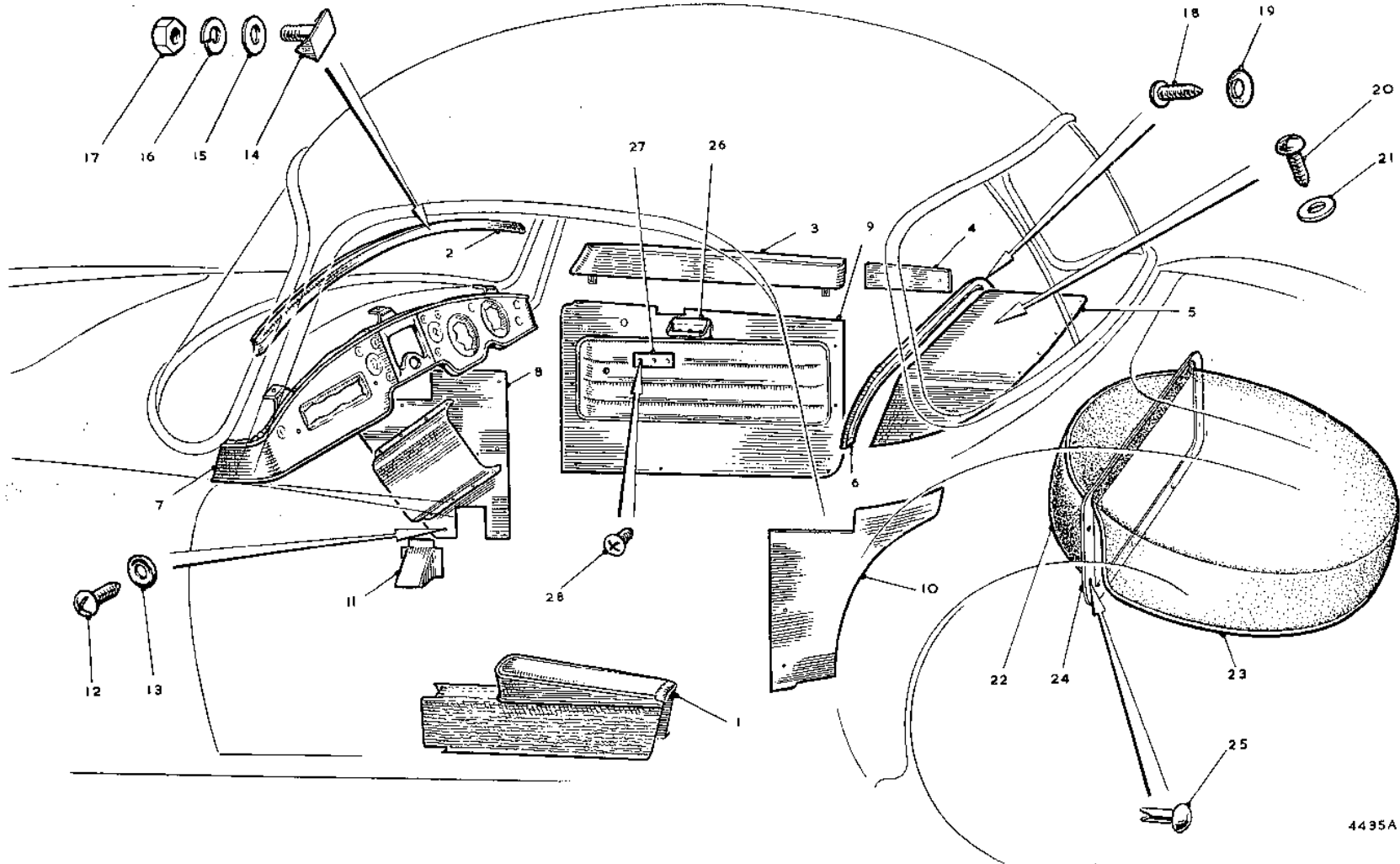


A2119

SERVICE PARTS LIST

THE M.G. Series MGA 1500

Item No.	DESCRIPTION	Commencing (C) 10101		Qty. per Vehicle		Unit of Issue	Type of Vehicle	MODIFICATIONS			REMARKS
		Part Number	Illus. No.	RHD	LHD			New Part Number	Change Point	Amdt. No.	
	<i>Trimming—continued</i>										
7	Carpet—front—R/H assembly	AFH1850	RM1	.1				AFH6528	Com. (C) 61504		
8	Carpet—front—L/H assembly	AFH1851	RM2	.1							
3	Carpet—front—R/H assembly	AFH2468			1			AFH6530	Com. (C) 61504		
4	Carpet—front—L/H assembly	AFH2469			1						
5	Carpet—rear—R/H assembly	AFH1854	RM3	.1	.1						
6	Carpet—rear—L/H assembly	AFH1855	RM4	.1	.1						
7	Carpet—heelboard	AFH1856	RM5	.1	.1						
8	Carpet—tunnel—front assembly	AFH1857	RM6	.1	.1			AFH6529	Com. (C) 61504		
9	Carpet—tunnel—intermediate assembly	AFH2474	RM7	.1	.1						
10	Carpet—tunnel—rear (Black)—and arm-rest assembly—Red	AFH1860	RM8	.1	.1						
11	Carpet—tunnel—rear (Black)—and arm-rest assembly—Green	AFH6544		.1	.1						
12	Carpet—tunnel—rear (Black)—and arm-rest assembly—Grey	AFH6545		.1	.1						
13	Carpet—tunnel—rear (Black)—and arm-rest assembly—Black/Red	AFH6546		.1	.1						
14	Carpet—tunnel—rear (Black)—and arm-rest assembly—Black/Green	AFH6547		.1	.1						
15	Carpet—tunnel—rear (Black)—and arm-rest assembly—Black/Grey	AFH6548		.1	.1						
16	Carpet—tunnel—rear (Black)—and arm-rest assembly—Black/White	AFH6549		.1	.1						
17	Carpet—R/H sill	AFH1862	RM9	.1	.1						
18	Carpet—L/H sill	AFH1863	RM10	.1	.1						
19	Carpet—R/H toeboard end	AFH1864	RM11	.1			Tourer				
20	Carpet—L/H toeboard end	AFH1865	RM12	.1							
21	Carpet—R/H toeboard end	AFH2472			.1						
22	Carpet—L/H toeboard end	AFH2473			.1						
23	Carpet—R/H dash side recess	AFH1866	RM13	.1	.1						
24	Carpet—L/H dash side recess	AFH1867	RM14	.1	.1						
25	Carpet—R/H front bulkhead rear strut	AFH1868	RM15	.1	.1						
26	Carpet—L/H front bulkhead rear strut	AFH1869	RM16	.1	.1						
27	Carpet—chassis cross-member	AFH2476	RM17	.2	.2						
28	Felt—gearbox cover	AFH2477	RM18	.1	.1						
29	Felt—front tunnel	AFH1847	RM19	.1	.1						
30	Felt—rear tunnel	AFH2478	RM20	.1	.1						
31	Felt—tunnel top	AFH2479	RM21	.1	.1						
32	Felt—R/H front	AFH1848	RM22	.1							
33	Felt—L/H front	AFH1849	RM23	.1							
34	Felt—R/H front	AFH2480			.1						
35	Felt—L/H front	AFH2481			.1						
36	Lift-the-dot fastener—carpets	7H9962	RM24	.16	.16						
37	Clinch plate—carpets	7H9963	RM25	.16	.16						
38	Durable dot button—carpet—tunnel	7H9864	RM26	.1	.1						
39	Durable dot socket—carpet—tunnel	7H9866	RM27	.1	.1						
40	Durable dot stud—carpet—tunnel	7H9867	RM28	.1	.1						
41	Durable dot eyelet—carpet—tunnel	7H9868	RM29	.1	.1						
42	Carpet—bulk—40" wide	ADE539	A/R	A/R							



4495A

SERVICE PARTS LIST

THE M.G. Series MGA 1500

Item No.	DESCRIPTION	Commencing (C) 20671		Qty. per Vehicle		Unit of Issue	Type of Vehicle	MODIFICATIONS			REMARKS
		Part Number	Illus. No.	RHD	LHD			New Part Number	Change Point	Amdt. No.	
	Trimming—continued										
1	Centre arm-rest cover assembly—Red	AFH4631	RN1	.1	.1						
2	Centre arm-rest cover assembly—Green	AFH5550		.1	.1						
3	Centre arm-rest cover assembly—Grey	AFH5551		.1	.1						
4	Centre arm-rest cover assembly—Black/White	AFH5552		.1	.1						
5	Centre arm-rest cover assembly—Black/Red	AFH5553		.1	.1						
6	Centre arm-rest cover assembly—Black/Green	AFH5554		.1	.1						
7	Centre arm-rest cover assembly—Black/Blue	AFH5555		.1	.1						
8	Dash trim roll assembly—Red	AFH4652	RN2	.1	.1						
9	Dash trim roll assembly—Green	AFH5556		.1	.1						
10	Dash trim roll assembly—Grey	AFH5557		.1	.1						
11	Dash trim roll assembly—Blue	AFH5558		.1	.1						
12	Dash trim roll assembly—White	AFH5559		.1	.1						
13	Dash trim roll assembly—Black	AFH5560		.1	.1						
14	Door capping assembly—R/H } Red	AFH4648	RN3	.1	.1						
15	Door capping assembly—L/H } Red	AFH4649		.1	.1						
16	Door capping assembly—R/H } Green	AFH5586		.1	.1						
17	Door capping assembly—L/H } Green	AFH5587		.1	.1						
18	Door capping assembly—R/H } Grey	AFH5588		.1	.1						
19	Door capping assembly—L/H } Grey	AFH5589		.1	.1						
20	Door capping assembly—R/H } Blue	AFH5590		.1	.1						
21	Door capping assembly—L/H } Blue	AFH5591		.1	.1						
22	Door capping assembly—R/H } White	AFH5592		.1	.1		Coupe				
23	Door capping assembly—L/H } White	AFH5593		.1	.1						
24	Door capping assembly—R/H } Black	AFH5594		.1	.1						
25	Door capping assembly—L/H } Black	AFH5595		.1	.1						
26	Rear quarter capping assembly—R/H } Red	AFH4650	RN4	.1	.1						
27	Rear quarter capping assembly—L/H } Red	AFH4651		.1	.1						
28	Rear quarter capping assembly—R/H } Green	AFH5596		.1	.1						
29	Rear quarter capping assembly—L/H } Green	AFH5597		.1	.1						
30	Rear quarter capping assembly—R/H } Grey	AFH5598		.1	.1						
31	Rear quarter capping assembly—L/H } Grey	AFH5599		.1	.1						
32	Rear quarter capping assembly—R/H } Blue	AFH5600		.1	.1						
33	Rear quarter capping assembly—L/H } Blue	AFH5601		.1	.1						
34	Rear quarter capping assembly—R/H } White	AFH5602		.1	.1						
35	Rear quarter capping assembly—L/H } White	AFH5603		.1	.1						
36	Rear quarter capping assembly—R/H } Black	AFH5604		.1	.1						
37	Rear quarter capping assembly—L/H } Black	AFH5605		.1	.1						
38	Rear shelf assembly—Red	AFH4660	RN5	.1	.1						
39	Rear shelf assembly—Green	AFH5609		.1	.1						
40	Rear shelf assembly—Grey	AFH5610		.1	.1						
41	Rear shelf assembly—Blue	AFH5611		.1	.1						
42	Rear shelf assembly—White	AFH5612		.1	.1						
43	Rear shelf assembly—Black	AFH5613		.1	.1						

SERVICE PARTS LIST

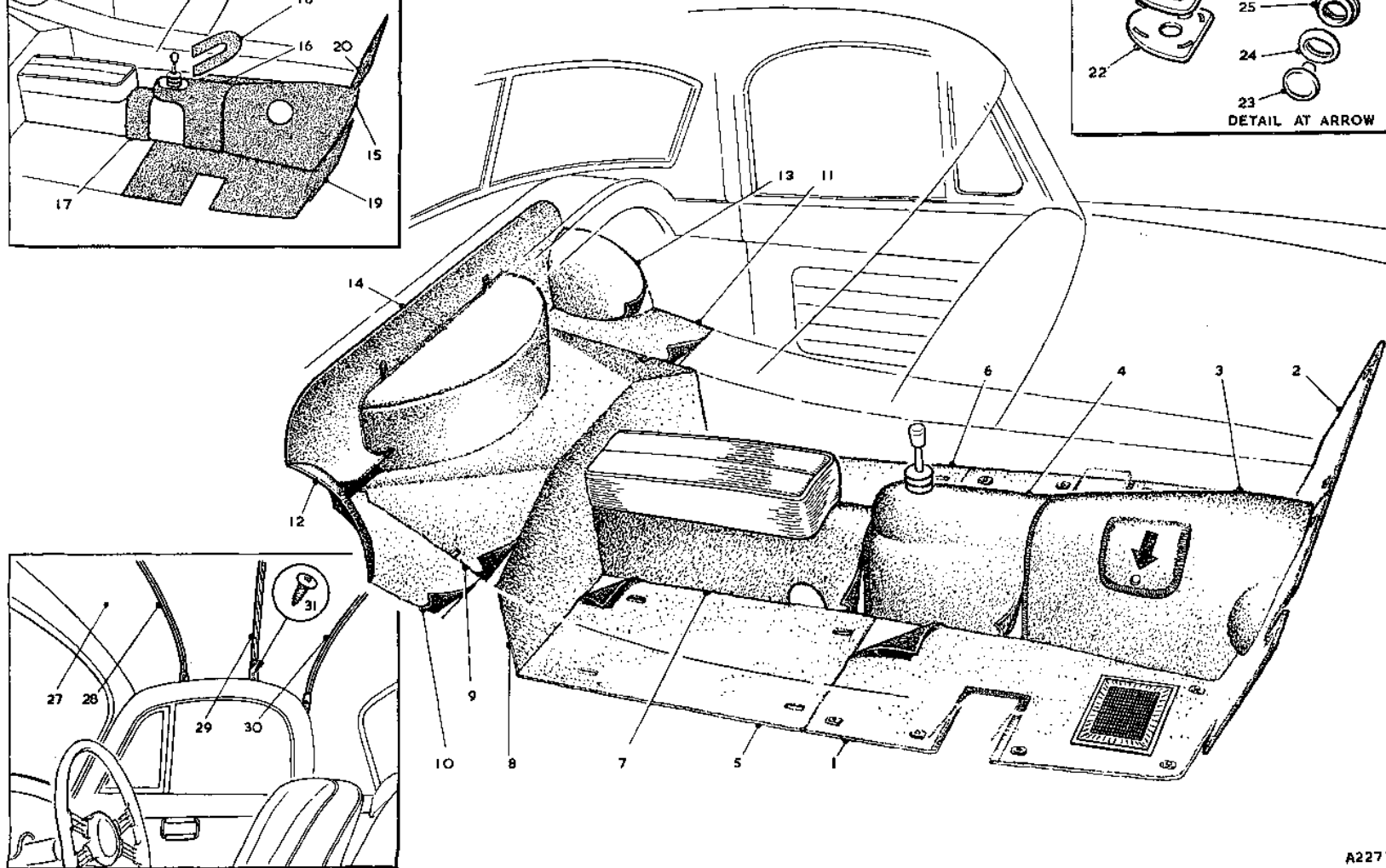
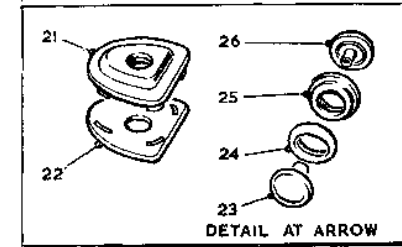
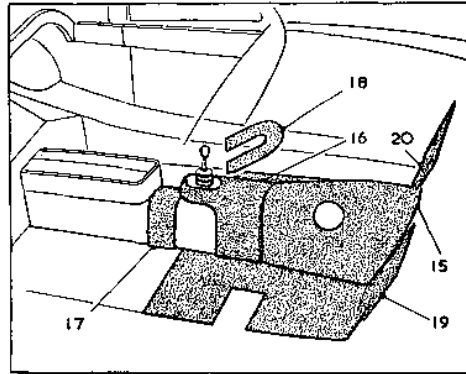
THE M.G. Series MGA 1500

Item No.	DESCRIPTION	Commencing (C) 20671		Qty. per Vehicle		Unit of Issue	Type of Vehicle	MODIFICATIONS			REMARKS
		Part Number	Illus. No.	RHD	LHD			New Part Number	Change Point	Amdt. No.	
	Trimming—continued										
1	Fillet assembly—rear shelf—Red	AFH4656	RN6	.1	.1						
2	Fillet assembly—rear shelf—Green	AFH5614		.1	.1						
3	Fillet assembly—rear shelf—Grey	AFH5615		.1	.1						
4	Fillet assembly—rear shelf—Blue	AFH5616		.1	.1						
5	Fillet assembly—rear shelf—White	AFH5617		.1	.1						
6	Fillet assembly—rear shelf—Black	AFH5618		.1	.1						
7	Fascia panel assembly } Red	AFH4658	RN7	.1							
8	Fascia panel assembly }	AFH4659			.1						
9	Fascia panel assembly } Green	AFH5620		.1							
10	Fascia panel assembly }	AFH5621			.1						
11	Fascia panel assembly } Grey	AFH5622		.1							
12	Fascia panel assembly }	AFH5623		.1	.1						
13	Fascia panel assembly } Blue	AFH5624		.1							
14	Fascia panel assembly }	AFH5625			.1						
15	Fascia panel assembly } White	AFH5626		.1							
16	Fascia panel assembly }	AFH5627			.1						
17	Fascia panel assembly } Black	AFH5628		.1							
18	Fascia panel assembly }	AFH5629		.1	.1						
19	Liner assembly—dash—with map pocket—R/H } Red	AFH4642	RN8	.1	.1						
20	Liner assembly—dash—with map pocket—L/H }	AFH4643		.1	.1		Coupe				
21	Liner assembly—dash—with map pocket—R/H } Green	AFH5562		.1	.1						
22	Liner assembly—dash—with map pocket—L/H }	AFH5563		.1	.1						
23	Liner assembly—dash—with map pocket—R/H } Grey	AFH5564		.1	.1						
24	Liner assembly—dash—with map pocket—L/H }	AFH5565		.1	.1						
25	Liner assembly—dash—with map pocket—R/H } Black	AFH5566		.1	.1						
26	Liner assembly—dash—with map pocket—L/H }	AFH5567		.1	.1						
27	Liner assembly—door—R/H } Red	AFH4644	RN9	.1	.1						
28	Liner assembly—door—L/H }	AFH4645		.1	.1						
29	Liner assembly—door—R/H } Green	AFH5568		.1	.1						
30	Liner assembly—door—L/H }	AFH5569		.1	.1						
31	Liner assembly—door—R/H } Grey	AFH5570		.1	.1						
32	Liner assembly—door—L/H }	AFH5571		.1	.1						
33	Liner assembly—door—R/H } Black/White	AFH5572		.1	.1						
34	Liner assembly—door—L/H }	AFH5573		.1	.1						
35	Liner assembly—door—R/H } Black/Red	AFH5574		.1	.1						
36	Liner assembly—door—L/H }	AFH5575		.1	.1						
37	Liner assembly—door—R/H } Black/Green	AFH5576		.1	.1						
38	Liner assembly—door—L/H }	AFH5577		.1	.1						
39	Liner assembly—door—R/H } Black/Blue	AFH5578		.1	.1						
40	Liner assembly—door—L/H }	AFH5579		.1	.1						
41	Fillet assembly—header trim	AFH4653		.1	.1						
42	Fillet assembly—cant rail—R/H	AFH4654		.1	.1						
43	Fillet assembly—cant rail—L/H	AFH4655		.1	.1						

SERVICE PARTS LIST

THE M.G. Series MGA 1500

Item No.	DESCRIPTION	Commencing (C) 20671		Qty. per Vehicle		Unit of Issue	Type of Vehicle	MODIFICATIONS			REMARKS
		Part Number	Illus. No.	RHD	LHD			New Part Number	Change Point	Amdt. No.	
	Trimming—continued										
1	Liner—rear quarter—R/H } Red	AFH4646	RN10	.1	.1						
2	Liner—rear quarter—L/H } Red	AFH4647		.1	.1						
3	Liner—rear quarter—R/H } Green	AFH5580		.1	.1						
4	Liner—rear quarter—L/H } Green	AFH5581		.1	.1						
5	Liner—rear quarter—R/H } Grey	AFH5582		.1	.1						
6	Liner—rear quarter—L/H } Grey	AFH5583		.1	.1						
7	Liner—rear quarter—R/H } Black	AFH5584		.1	.1						
8	Liner—rear quarter—L/H } Black	AFH5585		.1	.1						
9	Dash side mounting cover—Red	AFH2567	RN11	.2	.2						
10	Dash side mounting cover—Green	AFH5606		.2	.2						
11	Dash side mounting cover—Grey	AFH5607		.2	.2						
12	Dash side mounting cover—Black	AFH5608		.2	.2						
13	Door sealing rubber and clips assembly—Red	AFH4562		.2	.2						
14	Door sealing rubber and clips assembly—Green	AFH4563		.2	.2						
15	Door sealing rubber and clips assembly—Grey	AFH4564		.2	.2						
16	Door sealing rubber and clips assembly—Black	AFH4565		.2	.2						
17	Retainer for door sealing rubber—R/H	AFH2722		.1	.1						
18	Retainer for door sealing rubber—L/H	AFH2723		.1	.1						
19	Screw fixing retainer to sill	AJD8172		.12	.12						
20	Pad for sealing 'A' post—R/H	AFH4822		.1	.1						
21	Pad for sealing 'A' post—L/H	AFH4823		.1	.1						
22	Rubber for sealing door hinge pillar	AFH4819		.2	.2						
23	Piping for door hinge pillar—Red	AFH4771		.2	.2						
24	Piping for door hinge pillar—Green	AFH4772		.2	.2						
25	Piping for door hinge pillar—Grey	AFH4773		.2	.2		Coupe				
26	Piping for door hinge pillar—Black	AFH4774		.2	.2						
27	Piping for trim—Red	AFH4835		A/R	A/R						
28	Piping for trim—Green	AFH4836		A/R	A/R						
29	Piping for trim—Grey	AFH4837		A/R	A/R						
30	Piping for trim—White	AFH4838		A/R	A/R						
31	Piping for trim—Black	AFH4839		A/R	A/R						
32	Piping for trim—Blue	AFH4840		A/R	A/R						
33	Screw fixing liners to body (self-tapping)	RTP404	RN12	.30	.30						
34	Washer—cup—No. 4—for screw	7701	RN13	.30	.30						
35	Bolt (claw head) fixing dash trim roll to body	AFH1900	RN14	.6	.6						
36	Washer (plain)	PWZ203	RN15	.6	.6						
37	Washer (spring)	LWZ203	RN16	.6	.6						
38	Nut for claw head bolt	FNZ103	RN17	.6	.6						
39	Screw fixing rear shelf fillet to body	RTP606	RN18	.6	.6						
40	Washer—cup—No. 6—for screw	7700	RN19	.6	.6						
41	Screw fixing rear shelf to body	PTZ604	RN20	.4	.4						
42	Washer (plain)	PWZ202	RN21	.4	.4						
43	Spare wheel cover—front	AFH5786	RN22	.1	.1						
44	Spare wheel cover—rear	AFH2572	RN23	.1	.1						
45	Spare wheel cover frame	AFH1731	RN24	.1	.1						
46	Rivets for cover frame	AFH5452	RN25	.12	.12						
47	Door-pull	AFH4512	RN26	.2	.2						
48	Plate fixing door-pull	AFB776	RN27	.2	.2						
49	Screw fixing plate to door	CTZ603	RN28	.6	.6						

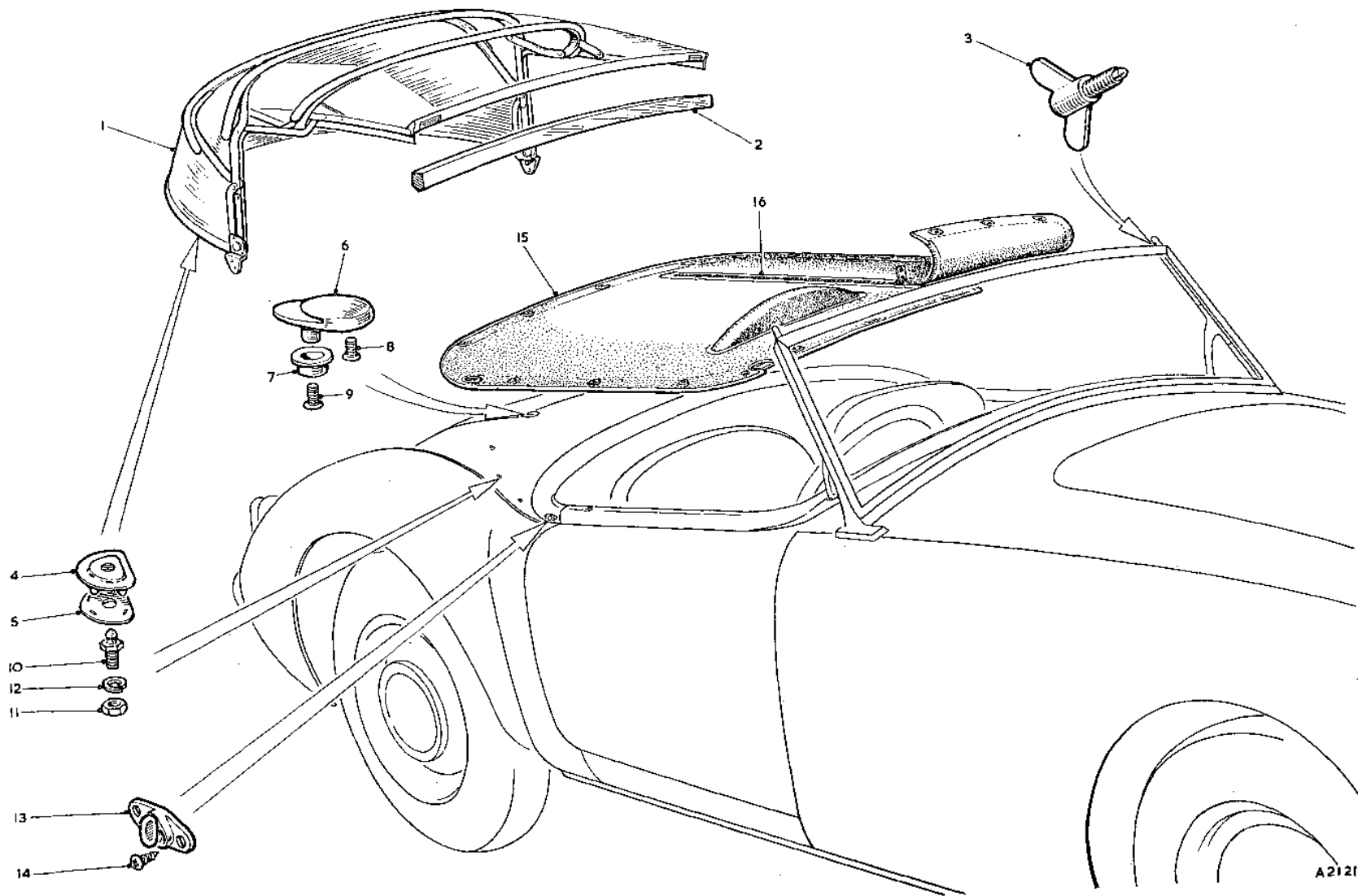


A2277

SERVICE PARTS LIST

THE M.G. Series MGA 1500

Item No.	DESCRIPTION	Commencing (C) 20871		Qty. per Vehicle		Unit of Issue	Type of Vehicle	MODIFICATIONS			REMARKS
		Part Number	Illus. No.	RHD	LHD			New Part Number	Change Point	Amdt. No.	
	Trimming—continued										
1	Carpet assembly—front R/H	AFH5754	RO1	1				AFH6536] Com. (C) 61504		
2	Carpet assembly—front R/H	AFH5756			1			AFH6537			
3	Carpet assembly—front L/H	AFH5755	RO2	1							
4	Carpet assembly—front L/H	AFH5757			1						
5	Carpet assembly—tunnel—front	AFH5762	RO3	1	1			AFH6535	Com. (C) 61504		
6	Carpet assembly—tunnel—intermediate	AFH5763	RO4	1	1						
7	Carpet assembly—rear floor—R/H	AFH5764	RO5	1	1						
8	Carpet assembly—rear floor—L/H	AFH5765	RO6	1	1						
9	Carpet tunnel—rear (Grey)—and arm-rest assembly—Red	AFH4661	RO7	1	1						
10	Carpet tunnel—rear (Grey)—and arm-rest assembly—Green	AFH6550		1	1						
11	Carpet tunnel—rear (Grey)—and arm-rest assembly—Grey	AFH6551		1	1						
12	Carpet tunnel—rear (Grey)—and arm-rest assembly—Black/White	AFH6552		1	1						
13	Carpet tunnel—rear (Grey)—and arm-rest assembly—Black/Red	AFH6553		1	1						
14	Carpet tunnel—rear (Grey)—and arm-rest assembly—Black/Green	AFH6554		1	1						
15	Carpet tunnel—rear (Grey)—and arm-rest assembly—Black/Blue	AFH6555		1	1						
16	Carpet—rear bulkhead	AFH4760	RO8	1	1						
17	Carpet—battery cover	AFH4761	RO9	1	1						
18	Carpet—trunk floor front—R/H	AFH4764	RO10	1	1						
19	Carpet—trunk floor front—L/H	AFH4765	RO11	1	1						
20	Carpet—rear wheelarch—R/H	AFH4766	RO12	1	1						
21	Carpet—rear wheelarch—L/H	AFH4767	RO13	1	1		Coupe				
22	Carpet—spare wheel cover—front	AFH5786	RO14	1	1						
23	Carpet material—bulk (Grey) 40" wide	AFH5785	A/R	A/R							
24	Felt—gearbox cover	AFH2477	RO15	1	1						
25	Felt—front tunnel	AFH1847	RO16	1	1						
26	Felt—rear tunnel	AFH2478	RO17	1	1						
27	Felt—tunnel top	AFH2479	RO18	1	1						
28	Felt—R/H front	AFH1848	RO19	1							
29	Felt—R/H front	AFH2480			1						
30	Felt—L/H front	AFH1849	RO20	1							
31	Felt—R/H front	AFH2481			1						
32	Lift-the-dot fastener—carpets	7H9962	RO21	16	16						
33	Clinch plate—carpets	7H9963	RO22	16	16						
34	Durable dot button—carpet—tunnel	7H9864	RO23	1	1						
35	Durable dot socket—carpet—tunnel	7H9866	RO24	1	1						
36	Durable dot stud—carpet—tunnel	7H9867	RO25	1	1						
37	Durable dot eyelet—carpet—tunnel	7H9868	RO26	1	1						
38	Headlining (Off White)	AFH4657	RO27	1	1						
39	Listing rod—headlining—front	AFH4485	RO28	1	1						
40	Listing rod—headlining—centre	AFH4486	RO29	1	1						
41	Listing rod—headlining—rear	AFH4487	RO30	1	1						
42	Screw fixing listing rod to body	AJD8172	RO31	8	8						



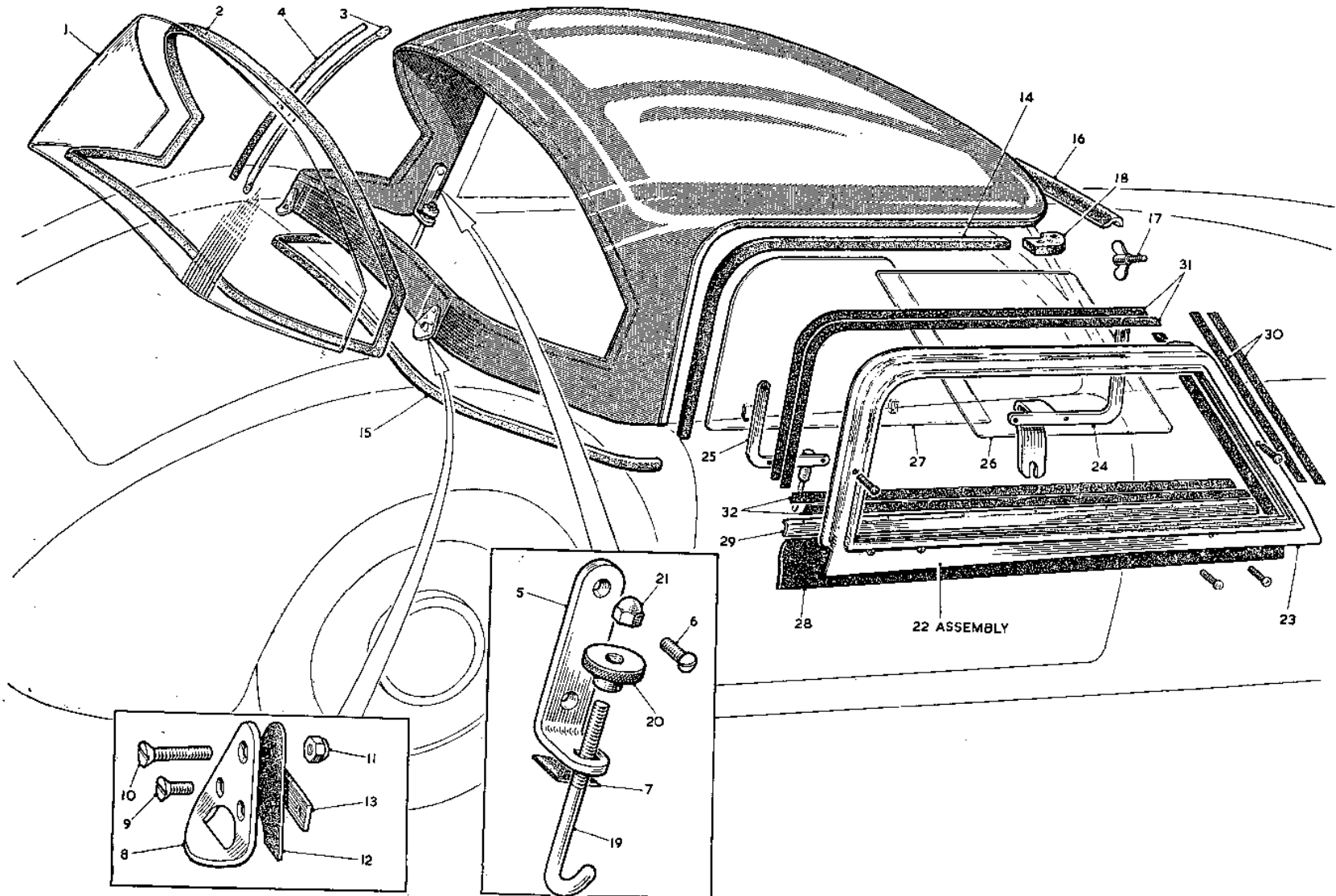
A2121

SERVICE PARTS LIST

THE M.G. Series MGA 1500

Item No.	DESCRIPTION	Commencing (C) 10101		Qty. per Vehicle		Unit of Issue	Type of Vehicle	MODIFICATIONS			REMARKS
		Part Number	Illus. No.	RHD	LHD			New Part Number	Change Point	Amdt. No.	
	HOOD										
1	Hood assembly	AFH1740	RP1	1	1			AFH2726	Com. (C) 10501		State colour
2	Hood assembly—Black			1	1			AKE1780	Com. (G) 20162		
3	Hood assembly—Ice Blue			1	1			AKE1761			
4	Frame assembly for hood	AFH2629		1	1			AFH2727	Com. (C) 10501		
5	Stick—hood	AFH1746	RP2	1	1						
6	Socket—stick	AFH2635		2	2						
7	Wing bolt fixing hood to screen	MB22438	RP3	2	2						
8	Canopy assembly—hood—Black	AKE1762		1	1						
9	Canopy assembly—hood—Ice Blue	AKE1763		1	1						
10	Lift-the-dot fastener	7H9961	RP4	6	6						
11	Lift-the-dot clinch plate	7H9963	RP5	6	6						
12	Turn-button fastener eyelet	97H497		2	2						
13	Turn-button fastener eyelet washer	97H498		2	2						
14	Attachment plate—hood—rear—to body	AFH2659		1	1						
15	Retaining plate—hood—rear	AFH1741	RP6	2	2						
16	Cup washer for hood retaining plate	MB19956	RP7	2	2						
17	Screw for retaining plate	PMZ0304	RP8	2	2						
18	Screw for retaining plate	PMZ0306	RP9	2	2						
19	Screw—peg—hood—rear fixing	17H9510	RP10	6	6						
20	Nut	AJD8012Z	RP11	6	6						
21	Washer (spring)	LWZ203	RP12	6	6						
22	Single turn-button	97H496	RP13	2	2						
23	Screw fixing turn-button	RTP404	RP14	4	4						
	TONNEAU COVER (Optional Extra)										
24	Tonneau cover assembly—Black	AKE1756	RP15	1				AFH6572	Com. (G) 64332		
25	Tonneau cover assembly—Ice Blue	AKE1757		1				AFH6574			
26	Tonneau cover assembly—Black	AKE1758			1			AFH6571	Com. (C) 60637		
27	Tonneau cover assembly—Ice Blue	AKE1759			1			AFH6573			
28	Zip fastener	AFH2687	RP16	1	1			AFH6608	Com. (C) (RHD) 64332, (LHD) 60637		
29	Lift-the-dot fastener	7H9961		20/12	20/12						
30	Lift-the-dot clinch plate	7H9963		20/12	20/12						
31	Single stud—2-screw plate base	97H499		8/6	8/6						
32	Screw fixing stud	RTP603		16/12	16/12						
33	Stud—2 B.A. hexagon base	97H717		12/6	12/6						
34	Washer (plain)	PWZ203		12/6	12/6						
35	Washer (spring)	LWZ203		12/6	12/6						
36	Nut	AJD8012Z		12/6	12/6						
37	Screw for stud	RMP0208		4	4						
38	Washer (plain)	PWZ202		4	4						
39	Washer (spring)	LWZ202		4	4				Fin. (C) (RHD) 6433, (LHD) 60636		
40	Nut	CNZ102		4	4						
41	Turn-button fastener eyelet	97H497		2	2						
42	Turn-button fastener eyelet washer	97H498		2	2						

Quantities reduced at
(C) (RHD) 64332,
(LHD) 60637

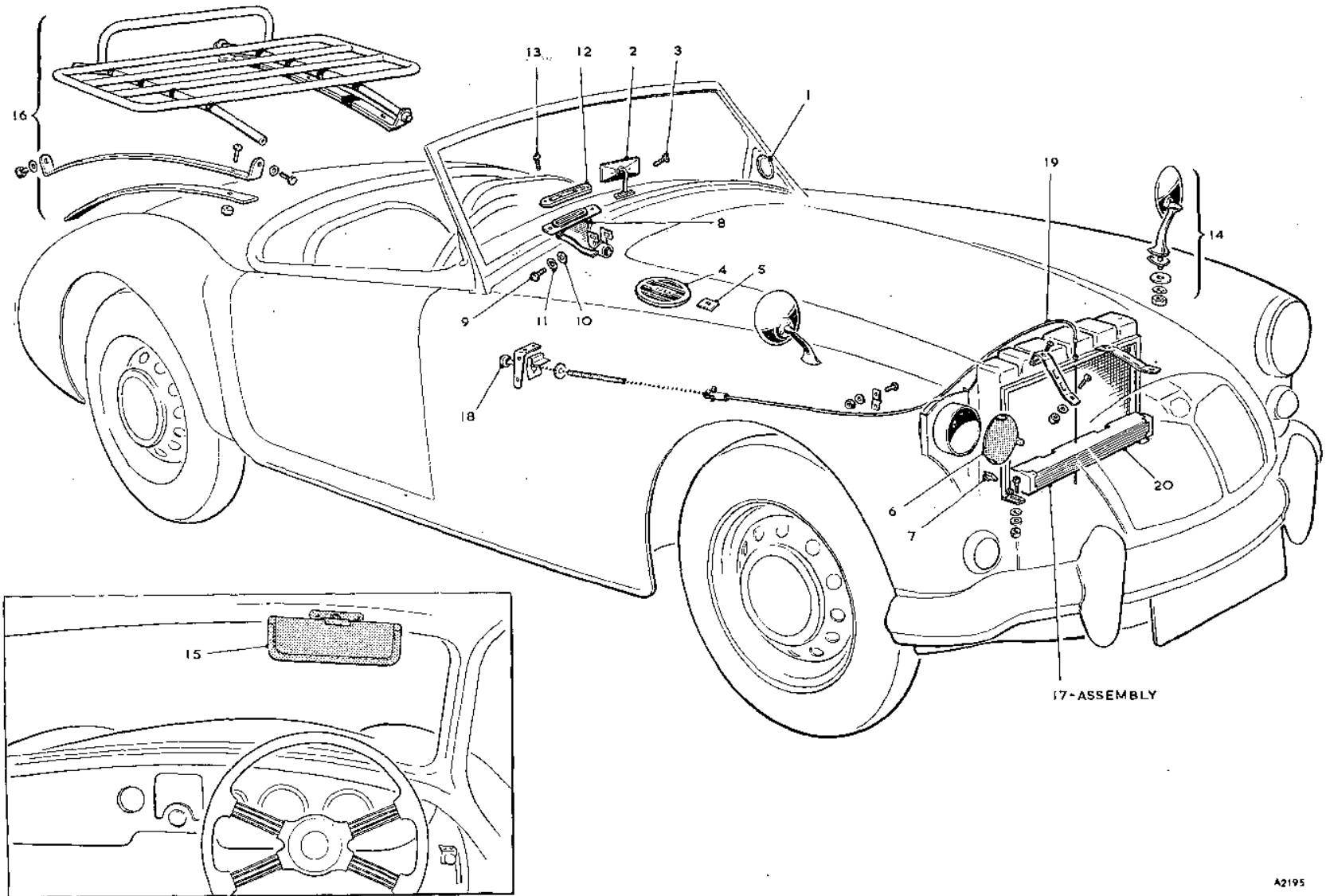


A2278

SERVICE PARTS LIST

THE M.G. Series MGA 1500

Item No.	DESCRIPTION	Commencing (C) 10101		Qty. per Vehicle		Unit of Issue	Type of Vehicle	MODIFICATIONS			REMARKS
		Part Number	Illus. No.	RHD	LHD			New Part Number	Change Point	Amdt. No.	
	HARD TOP AND SLIDING SIDESCREENS (Optional Extra)										
1	Hard top assembly	AHH5662		1	1						
2	Window—rear	AHH5660	RQ1	1	1						
3	Rubber—sealing—for rear window	AHH5661	RQ2	1	1						
4	Strut—inner—rear window	AHH5662	RQ3	2	2						
5	Rubber for inner strut	AHH5663	RQ4	2	2						
6	Bracket—side—main	AHH5664	RQ5	2	2						
7	Screw fixing main bracket to canopy	AJD2446C	RQ6	4	4						
8	Rubber for side bracket	AHH5665	RQ7	2	2						
9	Bracket—rear retaining	AHH5666	RQ8	2	2						
10	Screw fixing bracket to canopy	RMP0307	RQ9	4	4						
11	Screw fixing rear bracket to inner strut	AJD2448C	RQ10	2	2						
12	Cap nut for bracket to inner strut screw	AJJ8125	RQ11	2	2						
13	Grommet for retaining bracket	AHH5667	RQ12	2	2						
14	Plate—backing—retaining bracket	AHH5674	RQ13	2	2						
15	Rubber—sealing—side	AHH5668	RQ14	2	2						
16	Rubber—sealing—rear	AHH5673	RQ15	1	1						
17	Rubber—sealing—canopy	AHH5669	RQ16	1	1						
18	Screw—thumb—canopy retaining	AHH5670	RQ17	2	2						
19	Rail—canopy—rubber end—R/H	AHH5671	RQ18	1	1						
20	Rail—canopy—rubber end—L/H	AHH5672		1	1						
21	Clip—side—main retaining assembly	AHH5650	RQ19	2	2						
22	Knob—knurled	AHH5652	RQ20	1	1						
23	Cap nut	AHH5653	RQ21	1	1						
24	Sliding sidescreen assembly—R/H	AHH5731	RQ22	1	1						
25	Sliding sidescreen assembly—L/H	AHH5732		1	1						
26	Frame—R/H	AHH5733	RQ23	1	1						
27	Frame—L/H	AHH5734		1	1						
28	Fixing bracket—front—R/H	AHH5735	RQ24	1	1						
29	Fixing bracket—front—L/H	AHH5736		1	1						
30	Peg bracket—R/H	AHH5737	RQ25	1	1						
31	Peg bracket—L/H	AHH5738		1	1						
32	Screen—fixed	AHH5739	RQ26	2	2						
33	Screw—sliding—R/H	AHH5740	RQ27	1	1						
34	Screw—sliding—L/H	AHH5741		1	1						
35	Sealing rubber—R/H	AHH5808	RQ28	1	1						
36	Sealing rubber—L/H	AHH5742		1	1						
37	Retainer for sealing rubber—R/H	AHH5743	RQ29	1	1						
38	Retainer for sealing rubber—L/H	AHH5744		1	1						
39	Glazing felt—front	AHH5745	RQ30	2	2						
40	Glazing felt—upper	AHH5746	RQ31	2	2						
41	Glazing felt—lower	AHH5747	RQ32	2	2						



A2195

SERVICE PARTS LIST

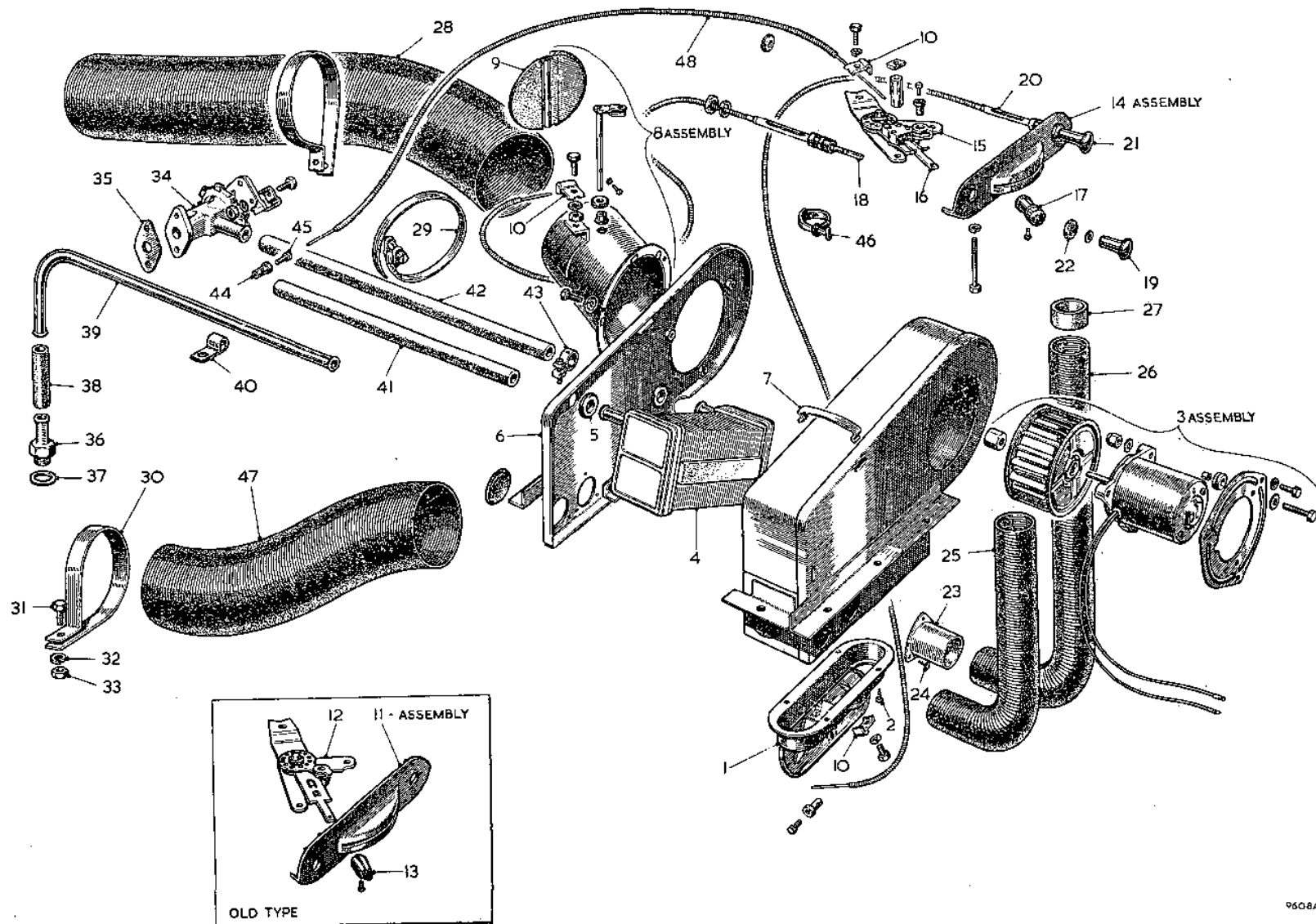
THE M.G. Series MGA 1500

Item No.	DESCRIPTION	Commencing (C) 10101		Qty. per Vehicle		Unit of Issue	Type of Vehicle	MODIFICATIONS			REMARKS
		Part Number	Illus. No.	RHD	LHD			New Part Number	Change Point	Amdt. No.	
	SUNDRIES										
1	Licence holder	180260	RR1	1	1		Tourer Coupé				
2	Licence holder	14A3823		1	1						
3	Mirror—rear view	AHH5198	RR2	1	1						
4	Screw fixing mirror to body	RMP0310	RR3	2	2						
5	Ventilator grille for air duct (MGA)	AHH5294	RR4	2	2						
6	Spire clip fixing grille	PFS104	RR5	8	8						
7	Blanking disc for air tube radiator support	AHH5306	RR6	1	1						
8	Clip fixing blanking disc	ADH3809	RR7	3	3						
9	Grommet (3/8" dia.) for master cylinder/bulkhead holes	RFR208		8	8						
10	Grommet (1/2" dia.) for cars less radio	RFR204		5	5			RFN204	Com. (C) 31440		
11	Grommet for dip switch hole blanking	4G2541		1	1						
12	Grommet for control box blanking holes	2H8041		2	2						
13	Grommet for dipper switch blanking holes	2H8041		3	3						
14	Nozzle—R/H demister (with seal)	AFH1748	RR8	1	1						
15	Nozzle—L/H demister (with seal)	AFH1749		1	1						
16	Screw fixing demister nozzle	AFH2587	RR9	4	4						
17	Washer (plain)	PWZ203	RR10	4	4						
18	Washer (spring)	LWZ203	RR11	4	4						
19	Finisher for demister slot	182143	RR12	2	2						
20	Screw fixing demister slot finisher	RTP804	RR13	4	4						
21	Ashtray (chrome and black enamel)	AHH5539		1	1						
22	Screw fixing ashtray	PTP804		4	4						
23	Badge bar assembly	AHH5565		1	1						Optional extras
24	Cigar-lighter c/w leads	AHH5759		1	1						

SERVICE PARTS LIST

THE M.G. Series MGA 1500

Item No.	DESCRIPTION	Commencing (C) 10101		Qty. per Vehicle		Unit of Issue	Type of Vehicle	MODIFICATIONS			REMARKS
		Part Number	Illus. No.	RHD	LHD			New Part Number	Change Point	Amdt. No.	
	Sundries—continued										
1	Mirror assembly c/w rubber washer and screws—R/H wing	AHH5526		1	1] Alternatives
2	Mirror assembly c/w rubber washer and screws—L/H wing	AHH5527	RR14	1	1						
3	Mirror assembly—R/H or L/H wing	BHA4066		2	2						Optional extras ~
4	Sun visor—trimmed	AHH5710	RR15	2	2] Coupé				
5	Screw fixing sun visor	RTP806		4	4						
6	Luggage carrier c/w fittings	AHH5495	RR16	1	1						
7	Screw fixing luggage grid to boot lid	PMP0514		6	6						
8	Nut (nylon) for screw	LNZ205		6	6						
9	Washer (plain) for screw	PWZ105		6	6						
10	Radiator blind assembly	AHH5536	RR17	1	1						
11	Ball chain with knob	7H9833	RR18	1	1						
12	Cable fixing blind to chain	7H9832	RR19	1	1						
13	Roller and blind	7H9834	RR20	1	1						



9608A

SERVICE PARTS LIST

THE M.G. Series MGA 1500

Item No.	DESCRIPTION	Commencing (C) 10101		Qty. per Vehicle		Unit of Issue	Type of Vehicle	MODIFICATIONS			REMARKS
		Part Number	Illus. No.	RHD	LHD			New Part Number	Change Point	Amdt. No.	
	HEATING AND VENTILATING EQUIPMENT (Optional Extra)										
1	Heater kit assembly	AHH5422		1	1						
2	Heater unit assembly	AHH5423		1	1						
3	Outlet door assembly	7H1995	RS1	1	1						
4	Screw fixing outlet door	7H1988	RS2	4	4						
5	Motor and runner	17H1	RS3	1	1						
6	Radiator	17H2	RS4	1	1						
7	Grommet	7H1993	RS5	2	2						
8	Side cover—heater	7H1993	RS6	1	1						
9	Clip for side cover	7H1999	RS7	4	4						
10	Flap valve assembly	7H1994	RS8	1	1						
11	Flap	7H1996	RS9	1	1						
12	Clamp for cable	7H1997	RS10	3	3						
13	Lever control assembly (less cables)	AHH5424	RS11	1	1						
14	Escutcheon—heater control unit	17H518	RS22	1	1						First type finished, No number available
15	Lever control	7H1984	RS12	1	1						
16	Knob	7H1981	RS13	1	1						Second type
17	Lever control assembly (less cables)		RS14	1	1		AHH5531				
18	Escutcheon—heater control unit	17H518	RS22	1	1						
19	Lever control sub-assembly		RS15	1	1		7H1985				
20	Lever and switch assembly		RS16	1	1		7H1986				
21	Knob		RS17	1	1		7H1980				
22	Air control cable and knob assembly	AHH5601	RS18	1	1						
23	Knob	17H827	RS19	1	1						
24	Demist control cable and knob assembly	AHH5602	RS20	1	1						
25	Knob	17H827	RS21	1	1						
26	Demister tubes	AHH5426	RS23	2	2						
27	Screw fixing demister tubes (cadmium-plated)	AHH5591	RS24	6	6						
28	Air hose—14"	AHH5427	RS25	1	1						
29	Air hose—25"	AHH5428	RS26	1	1						
30	Adaptors	AHH5429	RS27	2	2						
31	Air hose—31"	AHH5430	RS28	1	1						
32	Clip	14G800	RS29	1	1						
33	Clip—large	AHH5714	RS30	2	2						
34	Screw for clip	PMZ0316	RS31	2	2						
35	Washer (spring) for clip screw	LWZ203	RS32	2	2						
36	Nut for clip screw	FNZ103	RS33	2	2						
37	Water valve assembly	AHH5432	RS34	1	1		BHA4132	Com. (C) 61160			
38	Gasket for water valve	AHH5433	RS35	1	1						
39	Screw for water valve	AHH5591		2	2						
40	Screw for water valve	7H1990		1	1						
41	Nut for water valve	7H1991		1	1						
42	Washer (spring) for water valve	7H1992		1	1						

SERVICE PARTS LIST

THE M.G. Series MGA 1500

Item No.	DESCRIPTION	Commencing (C) 10101		Qty. per Vehicle		Unit of Issue	Type of Vehicle	MODIFICATIONS			REMARKS
		Part Number	Illus. No.	RHD	LHD			New Part Number	Change Point	Amdt. No.	
	Heater and Ventilating Equipment—continued										
1	Water union	AMK8847	RS36	1	1						
2	Washer	300398	RS87	1	1						
3	Water pipe—2½"	AHH5434	RS88	1	1						
4	Water return pipe	AHH5435	RS39	1	1						
5	Clip	AHH5436	RS40	2	2						
6	Water hose—12½"	AHH5437	RS41	1	1						
7	Water hose—14"	AHH5438	RS42	1	1						
8	Hose clip	301140	RS43	6	6						
9	Trunnion	14G6451	RS44	4/3	4/3						
10	Trunnion			1	1			14A5753	Com. (C) 61160		Quantity reduced at (C) 61160
11	Screw for trunnion (cadmium-plated)	AHH5593	RS45	4	4						
12	Cable clip	AHH5440	RS46	1	1						
13	Air hose	AHH5394	RS47	1	1						
14	Wire cable assembly	AHH5529	RS48	1	1						
15	Cold air kit assembly	AHM5532		1	1						
16	Case assembly	AHH5537		1	1						
17	Switch and knob	AHH5910		1	1						
18	Bracket—switch	AHH5912		1	1						
19	Screw fixing bracket	17H1940		2	2						
20	Trunnion	14G6451		1	1						
21	Air hose—31"	AHH5430		1	1						
22	Clip	14G800		1	1						
23	Clip—large	AHH5714		2	2						
24	Washer (spring)	LWZ203		2	2						
25	Nut	FNZ103		2	2						
26	Air hose	AHH5394		1	1						
27	Cable and knob assembly—air control	AHH5750		1	1						
28	Bracket—push-pull control	AHH5911		1	1						
29	Screw fixing bracket	17H1940		2	2						