

# LUCAS

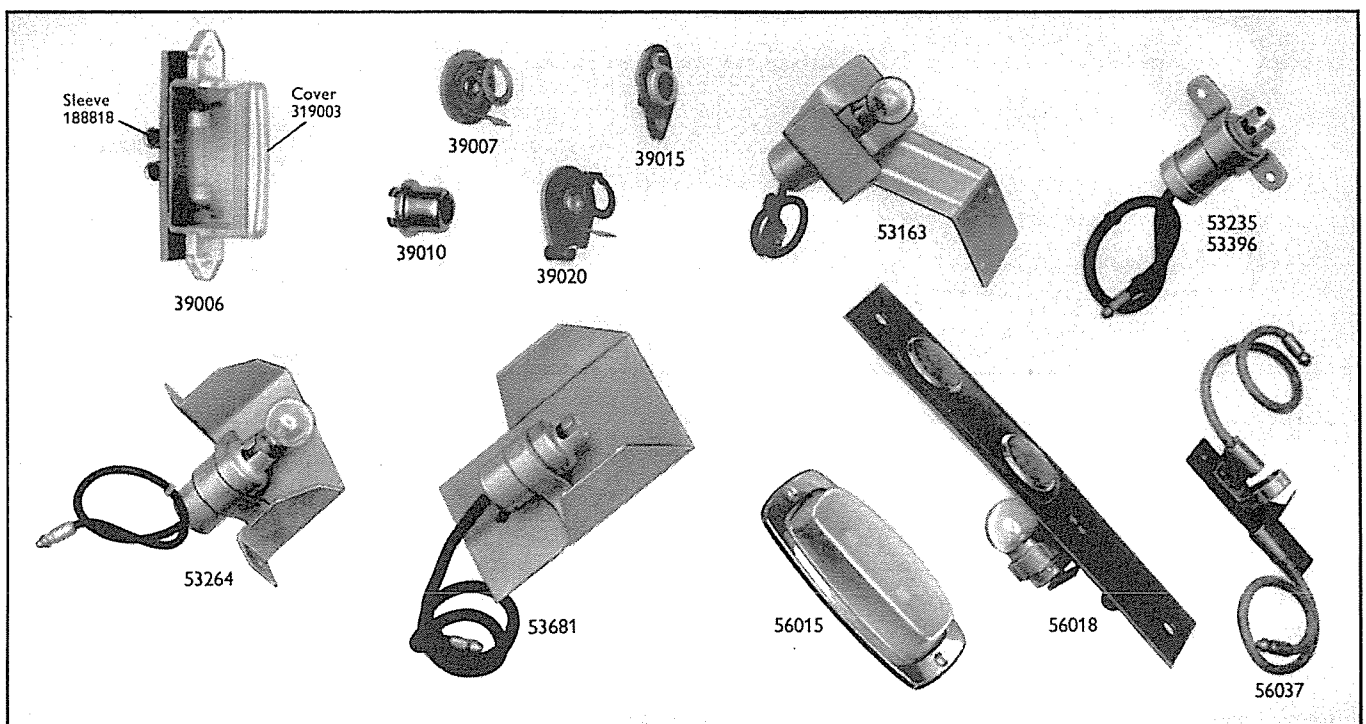
SECTION

L

## SUNDRY LAMPS, WARNING LIGHTS, PANEL LIGHTS, PLUGS AND SOCKETS, LAMP BULBS

### DESCRIPTIVE REFERENCE

Bonnet, Boot, Clock Illumination, Dash, Glove Box, Inspection,  
Interior, Map Reading, Panel, Radiator Badge, Repeater,  
Roof, Front Grille Illumination and Taxi Sign Lamps

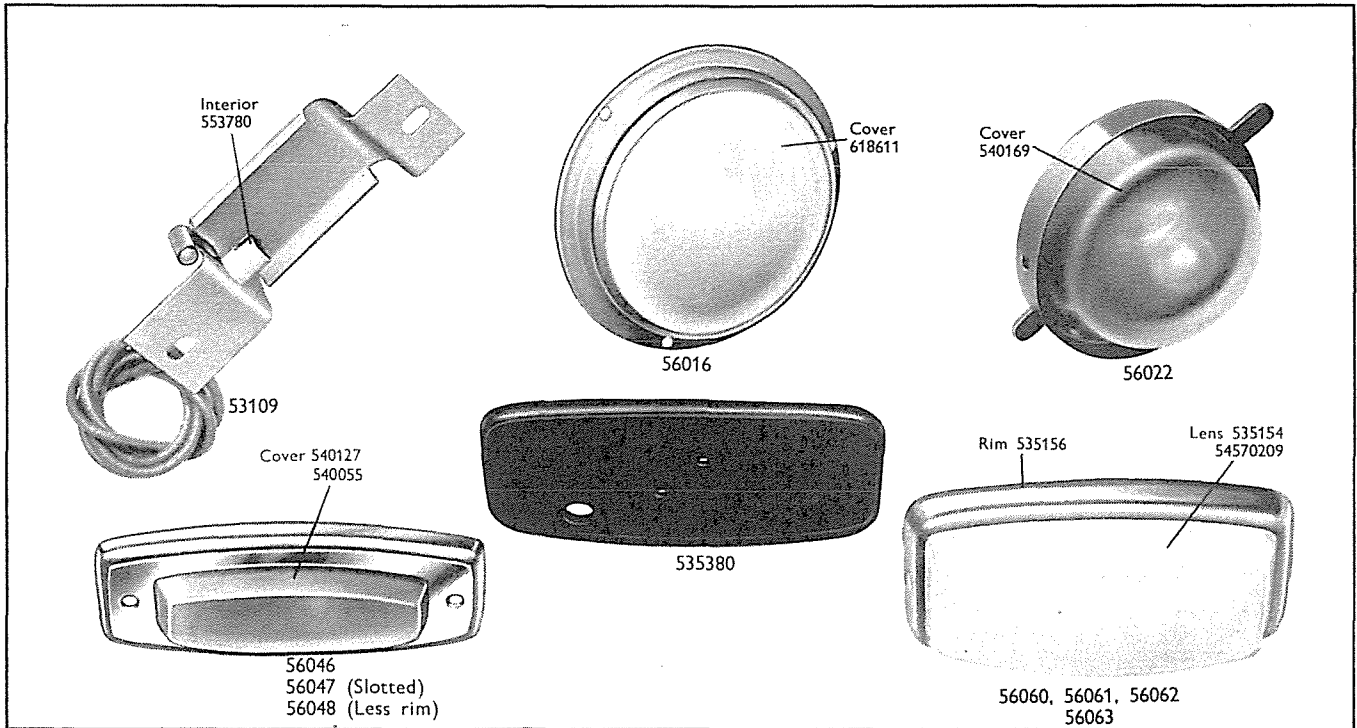


Part No.	Model	Description	Voltage	Remarks	Fixing
39006	P1L	Panel light and map reading light ..	12	Double contact .. .. .	—
39007	PL31	Panel light bulb holder .. .. .	—	Less bulb .. .. .	—
39010	PL34	Panel light bulb holder .. .. .	12	Single contact .. .. .	—
39015	PL39	Panel light bulb holder .. .. .	—	Less bulb .. .. .	—
39020	PL43	Panel light bulb holder .. .. .	—	Less bulb .. .. .	—
52326	550	Repeater lamp .. .. .	12	Single contact .. .. .	—
52405	550	Glove box lamp .. .. .	12	Chromium plated rim; single contact .. .. .	Two screw
52447	513	Taxi sign lamp holder .. .. .	12	Chromium plated rim; single contact .. .. .	Flange
52477	481	Map light .. .. .	12	Bulb holder and base assembly; single contact .. .. .	Two screw
53109	474	Interior lamp .. .. .	12	Bulb holder and base assembly; single contact .. .. .	Two screw
53163	491	Boot or engine compartment lamp	12	Cadmium plated base; single contact .. .. .	Bracket
53235	519	Boot lamp .. .. .	12	Mercury switch; single contact .. .. .	Bracket
53264	519	Boot lamp .. .. .	12	Bulb holder and clip .. .. .	Two screw
53396	519	Boot lamp .. .. .	—	As 53235, but with extra clip .. .. .	—
53681	519	Boot lamp .. .. .	12	Mercury switch; less bulb .. .. .	Bracket
56010	DF41	Dash lamp .. .. .	12	Mercury switch; single contact .. .. .	Bracket
A56010	DF41	Dash lamp .. .. .	6	Chromium plated cover; no window .. .. .	Centre
				Chromium plated cover; no window .. .. .	Centre

For detailed spare parts, see pages L4-L5

# SUNDRY LAMPS

## DESCRIPTIVE REFERENCE



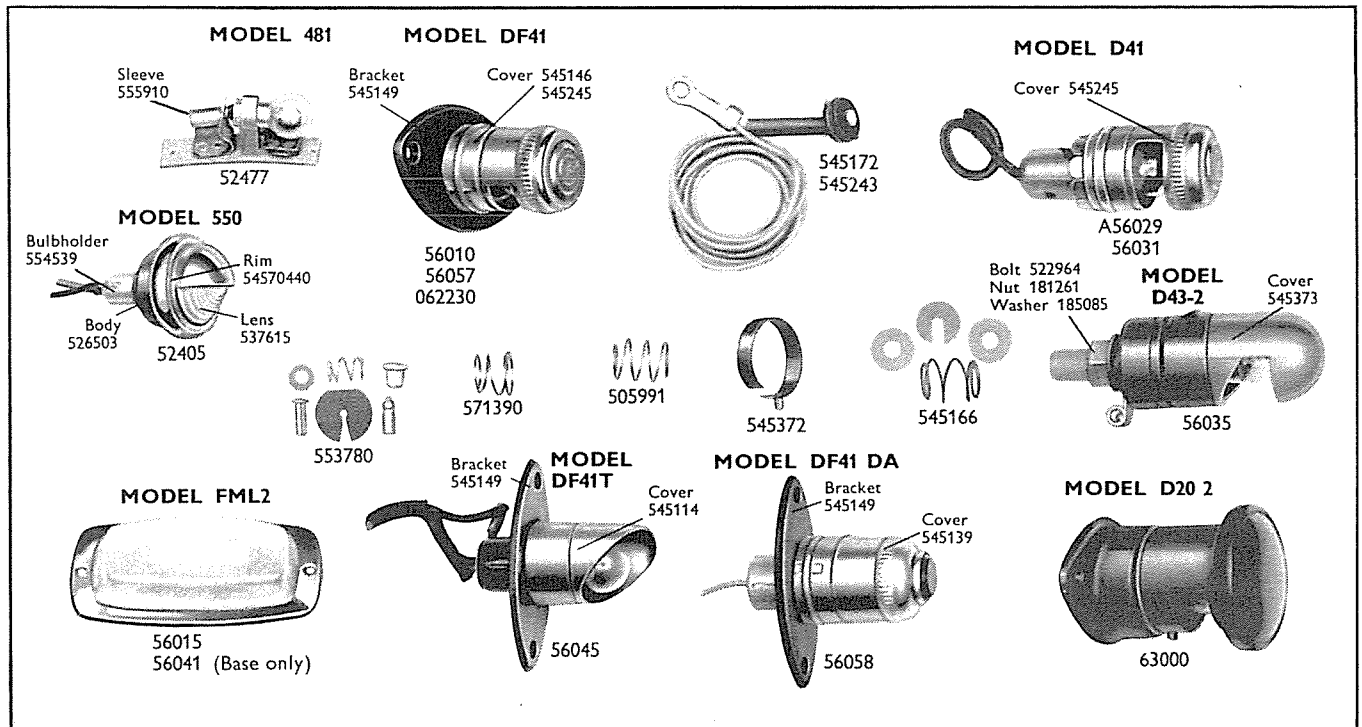
Part No.	Model	Description	Voltage	Remarks	Fixing
56015	FML2	Boot or roof lamp .. .. .	12	Chromium plated rim .. .. .	Two screw
56016	F214	Roof lamp .. .. .	12	Chromium plated rim .. .. .	Three screw
56018	BT1	Boot lamp .. .. .	12	Single contact .. .. .	Two screw
56022	300FS	Roof lamp .. .. .	12	Single contact .. .. .	Three screw
A56029	D41	Dash lamp .. .. .	6	Single contact .. .. .	Centre
56031	D41	Dash lamp .. .. .	12	Single contact; chromium cover; no window .. .. .	Centre
A56031	D41	Dash lamp .. .. .	6	Single contact; chromium cover; no window .. .. .	Centre
56035	D43-2	Dash lamp .. .. .	12	Red bakelite cover; no window .. .. .	Centre spigot
56037	481	Bulb holder .. .. .	12	Single contact; cadmium plated base .. .. .	Two screw
56041	FML2	Clock illumination .. .. .	12	Festoon bulb .. .. .	Two screw
56045	DF41T	Dash lamp .. .. .	12	Chromium plated cover; single contact .. .. .	Flange
A56045	DF41T	Dash lamp .. .. .	6	Chromium plated cover; single contact .. .. .	Flange
56046	45-S-BQ	Roof lamp .. .. .	12	Chromium plated rim; single contact .. .. .	Two screw
56047	44S-S	Roof lamp .. .. .	12	Chromium plated rim; double contact .. .. .	Two screw

For detailed spare parts, see pages L4-L5

continued

# SUNDRY LAMPS

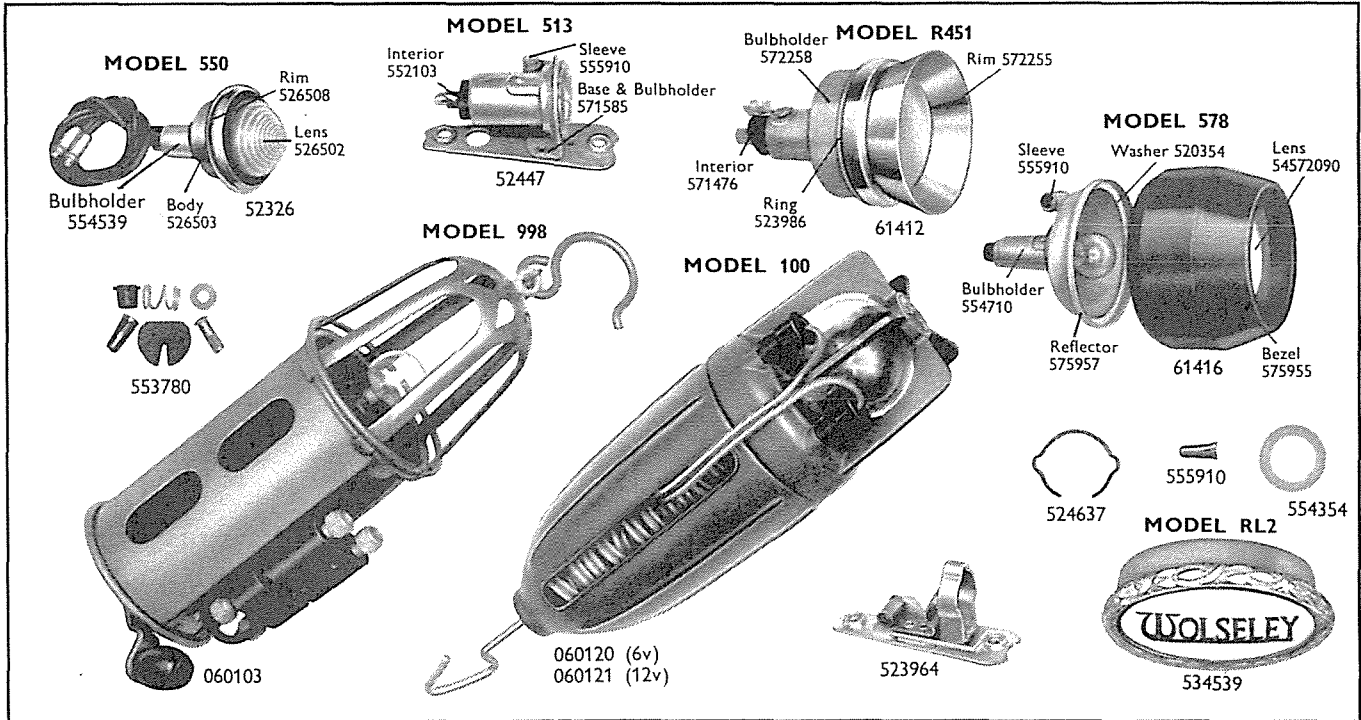
## DESCRIPTIVE REFERENCE



Part No.	Model	Description	Voltage	Remarks	Fixing
56048	45-S-BQ	Roof lamp .. .. .	12	Chromium plated rim; single contact .. ..	Two screw
56057	DF41	Map reading lamp .. .. .	12	Special chromium plated cover .. .. .	Flange
56058	DF41	Dash lamp .. .. .	12	30 m.p.h. lamp; chromium plated cover .. ..	Flange
56060	562	Roof lamp .. .. .	12	Chromium plated rim; single contact .. ..	Bracket
56061	562	Roof lamp .. .. .	12	Chromium plated rim; double contact .. ..	Bracket
56062	562	Roof lamp .. .. .	12	Chromium plated rim, single contact .. ..	Bracket
56063	562	Roof lamp .. .. .	12	Chromium plated rim; single contact .. ..	Bracket
61412	R451	Boot lamp .. .. .	12	Chromium plated rim; single contact; for Rolls-Royce	Flush fitting
61416	578	Inspection lamp .. .. .	12	Single contact .. .. .	—
63000	D20-2	Dash lamp .. .. .	12	Black finish; double contact .. .. .	Flange
060103	998	Inspection lamp .. .. .	12	Polychromatic bronze; two-pin plug and adaptor ..	—
060121	100	Inspection lamp .. .. .	12	Beige finish; double contact .. .. .	—
523964	468	Bulb holder, 'For Hire' sign ..	12	Contact mount only .. .. .	—
534539	RL12	Radiator badge light .. ..	12	Wolseley only .. .. .	—

For detailed spare parts, see pages L4-L5

# SUNDRY LAMPS



## LAMPS FOR WHICH NO SPARE PARTS ARE LISTED

Part No.	Model	Finish	Bulb		Part No.	Model	Finish	Bulb		Part No.	Model	Finish	Bulb	
			12 v.	6 v.				12 v.	6 v.				12 v.	6 v.
‡39007A	PL31	—	987	990	*53720A	519	—	989	—	63000A	D20-2	Black	209	—
39010A	PL34	—	987	—	*56011A	DF41T	Chromium	207	—	*060090	998	Black	209	—
*‡39013A	PL37	—	987	990	56015A	FML2	C.P.R.	256	—	060103	998	Black	207	—
‡39015A	PL39	—	987	990	56018A	BT1	Black	207	—	060121	100	Beige	5	—
‡39020B	PL43	—	987	990	56037A	481	—	222	—	‡523964	—	—	207	—
53163A	491	—	989	—	56041A	FML2	C.P.R.	256	—	534539	RL2	—	989	—
53235B	519	—	989	—	*56042A	DF41T	Chromium	207	—	*545145	D41	Chromium	207	—
53264B	519	—	989	—	*56043A	44S-S	—	989	—	*560602	BT1	Black	207	—
‡53396A	519	—	989	—	*A56044A	DF41T	Chromium	—	200	*622047	DF5	Black	207	—
53681A	519	—	222	—										

## DETAILED SPARE PARTS

Part No.	39006A	‡39023A	‡52115A	52326B	52405B	52447A	52477A	‡53107A	53109A
Model	PIL	PIL	468	550	550	513	481	474	474
Finish	—	—	—	C.P.R.	C.P.R.	—	Cadmium	—	—
Replaced by (see footnote)	—	(39006)	(523964)	—	—	—	—	(53109)	—
§Rim or door	—	—	—	526508	54570440	—	—	—	—
Cover	319003	319003	‡305409	—	—	—	—	—	—
§Lens or glass	—	—	—	526502	573615	—	—	—	—
Bulb holder	—	—	—	554539	554539	—	—	—	—
§Interior, bulb holder	—	—	—	553780	553780	552103	—	553780	553780
§Sleeve, terminal	188818	188818	—	—	—	—	555910	188818	188818
§Body or base	—	—	—	526503	526503	‡571585	—	—	—
§Bulb	256	254	57	989	989	382	989	989	989

For illustrations, see pages L1-L4

Note. For replacement lamp spare parts, see appropriate column under part number C.P.R. ... Chromium plated rim \* See Supersession Chart  
 † When ordering, quote part number shown in brackets ‡ Bulbs to be ordered separately § Recommended spares for stock || Bezel supplied separately  
 L4

# SUNDRY LAMPS



## DETAILED SPARE PARTS

Part No. . . . .	56010A	A56010A	56016A	†56017B	†56021A	56022D	†56026A	†56027A	56029B
Model . . . . .	DF41	DF41	F214	44S-S	DF41	300FS	D41	45S-BQ	D41
Finish . . . . .	Chromium	Chromium	C.P.R.	C.P.R.	Chromium	Black	Black	C.P.R.	Chromium
Replaced by (see footnote)	—	—	—	(56047)	(56057)	—	(56031)	(56046)	—
§Rim or door, or cover . . . . .	545245	545245	†618611	540055	545146	540169	545245	540127	545245
Contact and cable . . . . .	545172	545172	—	—	545172	—	545243	—	545172
Spring, contact tension . . . . .	571390	571390	—	—	571390	—	505991	—	571390
§ Sleeve, terminal . . . . .	—	—	188818	—	—	188818	—	—	—
§ Bulb . . . . .	207	200	207	256	207	207	207	256	200

Part No. . . . .	†56030A	56031A	A56031A	56035E	†56038A	†56040A	56045B	A56045B	56046A
Model . . . . .	D41	D41	D41	D43-2	44S-S	DF41	DF41T	DF41T	45S-BQ
Finish . . . . .	Chromium	Chromium	Chromium	Red cover	C.P.R.	Chromium	Chromium	Chromium	C.P.R.
Replaced by (see footnote)	(56031)	—	—	—	(56047)	(56057)	—	—	—
§Rim or door, or cover . . . . .	545245	545245	545245	545373	540055	545146	545114	545114	†540127
Spring, cover retaining . . . . .	—	—	—	545372	—	—	—	—	—
Contact and cable, or sleeve . . . . .	545172	545243	545243	—	—	—	545172	545172	—
Spring, contact tension . . . . .	571390	571390	571390	—	—	505991	571390	571390	—
§ Interior or sleeve . . . . .	—	—	—	545166	—	—	—	—	188818
Bolt, lamp fixing . . . . .	—	—	—	522964	—	—	—	—	—
§ Nut, bolt fixing . . . . .	—	—	—	181261	—	—	—	—	—
Washer, spring . . . . .	—	—	—	185085	—	—	—	—	—
§ Bulb . . . . .	207	207	200	207	256	207	207	200	222

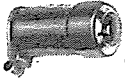
Part No. . . . .	56047A	56048A	†56051A	56057A	56058A	56060A	56060B	56061A	56061B
Model . . . . .	44S-S	45S-BQ	44S-S	DF41	DF41/DA	562	562	562	562
Finish . . . . .	C.P.R.	C.P.R.	C.P.R.	Chromium	Chromium	C.P.R.	C.P.R.	C.P.R.	C.P.R.
Replaced by (see footnote)	—	—	(56047)	—	—	—	—	—	—
§Rim or door, or cover . . . . .	540055	540127	540127	545146	545139	535156	535156	535156	535156
Screw, rim fixing . . . . .	—	—	—	—	—	198899	54127517	198899	54127517
Nut, securing . . . . .	—	—	—	—	—	187108	187108	187108	187108
§ Lens . . . . .	—	—	—	—	—	535154	54570209	535154	54570209
Contact and cable . . . . .	—	—	—	545172	545172	—	—	—	—
Spring, contact tension . . . . .	—	—	—	505991	505991	—	—	—	—
Bracket . . . . .	—	—	—	545149	545149	—	—	—	—
§ Sleeve, terminal . . . . .	—	—	—	—	—	—	—	188818	188818
§ Bulb . . . . .	256	989	989	207	207	382	382	380	380

Part No. . . . .	56062A/B		56062D		56063B		56063D	
Model . . . . .	562		562		562		562	
Finish . . . . .	C.P.R.		C.P.R.		C.P.R.		C.P.R.	
§Rim or door, or cover . . . . .	535156		535156		535156		535156	
§ Screw, rim or bulb holder fixing . . . . .	198899		54127517		198899		54127517	
§ Nut, securing . . . . .	187108		187108		187108		187108	
§ Lens, or light shield . . . . .	535154		54570209		535154		54570209	
§ Sleeve, terminal, or insulating strip . . . . .	188818		188818		188818		188818	
§ Bulb . . . . .	382		382		207		207	

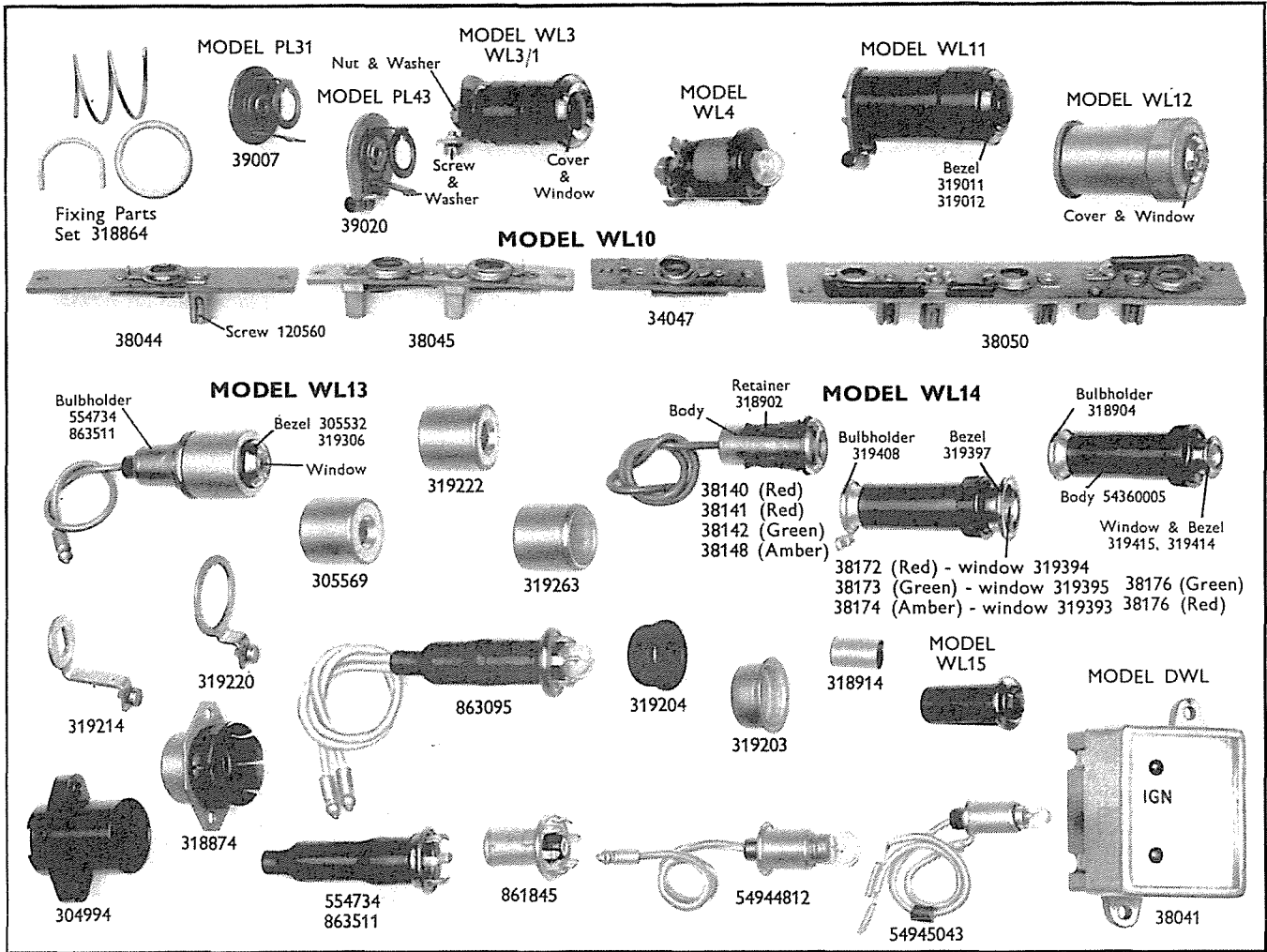
Part No. . . . .	61412A	61416B	†540020	†540092	†540129	†545138	†545179
Model . . . . .	R451	578	F214	44S-S	45S-BQ	DF41	DF41
Finish . . . . .	Chromium	—	C.P.R.	C.P.R.	C.P.R.	Chromium	Chromium
Replaced by (see footnote)	—	—	(56016)	(56047)	(56046)	(56057)	(56010)
§ Bezel . . . . .	—	575955	—	—	—	—	—
§ Rim or door, or cover . . . . .	572255	—	†618611	540055	540127	545146	545245
§ Lens or glass . . . . .	—	54572090	—	—	—	—	—
§ Reflector . . . . .	—	575957	—	—	—	—	—
§ Bulb holder . . . . .	572258	554710	—	—	—	—	—
§ Interior or contact . . . . .	571476	553780	—	—	—	—	545172
§ Ring, rubber, seating . . . . .	523986	554354	—	—	—	—	—
Wire, bulb holder fixing, or spring . . . . .	524637	—	—	—	—	505991	505991
§ Sleeve, terminal . . . . .	—	555910	—	—	—	—	—
§ Washer, paper . . . . .	—	520354	—	—	—	—	—
§ Bulb . . . . .	207	989	207	256	256	207	207

For illustrations, see pages L1-L4

Note. For replacement lamp spare parts, see appropriate column under part number † When ordering, quote part number shown in brackets  
 † Includes lens § Recommended spares for stock C.P.R. . . Chromium plated rim



# WARNING LIGHTS AND BULB HOLDERS

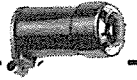


## MODEL REFERENCE

Part No.	WL	Part No.	WL	Part No.	WL	Part No.	WL	Part No.	WL	Part No.	WL
38012	3/1	38052	12	38086	3/1	38132	13	38158	13	318505	3
38013	3/1	38053	12	38087	3/1	38133	3/1	38162	13	318507	4
38015	3/1	38054	3/1	38091	3/1	38134	13	38172	14	318526	WL5
38018	3/1	38057	10	38092	12	38135	13	38173	14	318534	4
38019	3/1	38058	12	38094	11	38138	13	38174	14	318536	5
38020	4	38059	11	38095	11	38140	14	38175	14	318596	3/1
38022	3/1	38065	11	38100	13	38141	14	38176	14	318604	4
38029	3/1	38066	3/1	38101	13	38142	14	38177	13	318612	4
38030	3/1	38067	11	38102	13	38143	13	38179	13	318732	4
38034	3/1	38068	11	38103	12	38144	13	38185	13	318732	4
38041	DWL	38069	12	38104	12	38145	13	38186	13	319081	11
38042	3/1	38070	11	38105	12	38147	13	38188	15	319082	11
38043	3/1	38071	11	38106	12	38148	14	38189	15	319083	11
38044	10	38073	12	38111	11	38150	13	38190	15	319387	13
38045	10	38075	3/1	38112	13	38151	13	38191	15	319416	13
38046	3/1	38081	3/1	38118	13	38152	13	38192	15	319417	13
38047	10	38082	3/1	38119	13	38153	13	38204	13	54360085	13
38048	4	38083	3/1	38124	13	38155	13	38209	13	54360247	13
38049	3/1	38084	3/1	38125	13	38156	13	38210	13	54360500	WL15
38050	10	38085	3/1	38127	3/1	38157	13	318504	3	54360552	13

For detailed spare parts, see pages L7-L8

# WARNING LIGHTS



## DETAILED SPARE PARTS

### MODEL WL3 and WL3/1

Part No.	Replaced by	Colour	§Cover and/or Window	Bulb
†38012B	(38029)	Red	318896	970
†38013B	(38049)	Red	318896	970
†38015B	(38046)	Red	318893	970
38018B	—	Green	318894	970
†38019B	(38133)	Amber	318892	970
†38022B	(38066)	Red	318893	970
38029B	—	Red	318896	970
†38030A	(38054)	—	—	970
†38034B	(38043)	Amber	318892	970
†38042A	(38054)	Green	318891	970
38043A	—	Amber	318892	970
38046A	—	Red	318893	970
38049A	—	Red	318896	970
38054A	—	Green	318891	970
38066A	—	Red	318893	970
†38075A	(38049)	Red	318896	987
†38081A	(38133)	Blue	318869	970
†38082B	(38054)	Green	318891	987
†38083B	(38133)	Amber	318892	987
†38084B	(38046)	Red	318893	987
†38085B	(38018)	Green	318894	987
†38086B	(38043)	Amber	318892	987
†38087A	(38049)	Red	318896	970
38091A	—	Red	318896	987
†38127A	(38049)	Red	318896	987
38133A	—	Amber	319192	987
†318504	(38066)	Red	310738	970
†318505	(38046)	Red	318894	970
†318596	(38046)	Red	310738	970

The following parts are standard fitment to WL3 types as indicated below:

**All types:**

§Fixing parts, set	..	..	318864
Nut, terminal	..	..	180170
§Washer, spring	..	..	185040

**Insulated return only:**

Screw, terminal	..	..	100521
§Washer, spring	..	..	185012

### MODEL WL5

Part No.	Replaced by	Window (red)	Bulb
†318526	(318507)	†304084	†970

### MODEL WL11

Part No.	Replaced by	Colour	Bezel	Bulb
38059A	—	Red	319011	987
†38065A	(38059)	Red	319012	987
38067A	—	Green	319012	987
38068A	—	Amber	319012	987
†38070A	(38067)	Green	319011	987
38071A	—	Amber	319011	987
38094A	—	Red	319012	998
38095A	—	Green	319012	998
38111A	—	Blue	319011	987
†319081	(38059)	Red	319012	987
†319082	(38068)	Amber	319012	987
†319083	(38067, 12 volt) or (38095, 6 volt)	Green	319012	987

The following part is standard fitment to the above WL11 Models:  
§Bulb holder .. .. 39020A

### MODEL WL12

Part No.	Replaced by	Colour	Cover and Window	Bulb
38052B	—	Red	319106	987
38053B	—	Green	319107	987
38058A	—	Red	319106	987
†38069A	(38052)	Red	319106	987
38073A	—	Red	319106	990
†38092A	(38053)	Green	319107	987
38103A	—	Blue	319114	987
38104A	—	Amber	319123	987
†38105A	(38052)	Red	319106	987
†38106A	(38053)	Green	319107	987

The following parts are standard fitment to the above WL12 Models:  
§Bulb holder (earth return) .. 39007A  
§Bulb holder (insulated return) 39020A

WL4 and WL10 Models consist of Bulb Holder and Bulb only

### MODEL WL4

Part No.	Replaced by	§Bulb	
		12 volt	6 volt
†38020A	(38048)	987	—
38048A	—	987	—
318507	—	†987	†990
†318534	(318604)	†987	†990
318604	—	970	—
†318612	(318604)	970	—
†318732	(318604)	987	990

The following parts are standard fitment to the above WL4 Models:

Nut, terminal	180170
§Washer, spring	185040
‡Screw, terminal	100521
§Washer, spring	185012

### MODEL WL10

Part No.	Replaced by	†Bulb		Screw, terminal
		12 volt	6 volt	
38044A	—	987	990	120560
38045A	—	987	990	120560
38047A	—	987	990	—
38050A	—	987	990	120560
†38057A	(38044)	987	990	120560

The following items consist of Bulb Holder only

304994 318874 554734 †860547 (554734)	†861113 (863511) 861845 †863143 (54944812) 863511	†54940878 (54945043) 54944812 54945043
--	--	--

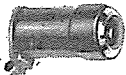
For illustrations, see page L6

† When ordering, quote part number shown in brackets

‡ Order separately

§ Recommended spares for stock

|| Fitted to 38048 only



# WARNING LIGHTS AND BULBHOLDERS

## DETAILED SPARE PARTS

### MODEL WL13

Part No.	Replaced by	Insulated or Earth Return	Colour	§Cover and/or Window	Shade	Bracket Connector (Insulated Return)	Body	Nut	Bulb
38100A	—	I.R.	Red	319215	305569	319214	—	—	987
38101A	—	I.R.	Blue	319221	305569	319214	—	—	987
38102A	—	E.R.	Green	319217	305569	—	—	—	987
38112A	—	E.R.	Amber	319123	319222	—	—	—	987
38118A	—	E.R.	Red	319106	319222	—	—	—	987
38119A	—	E.R.	Green	319107	319222	—	—	—	987
38124A	—	E.R.	Green	319235	305569	—	—	—	987
38125A	—	E.R.	Green	319217	305569	319214	—	—	987
38132A	—	E.R.	Green	319217	305569	—	†305532	—	987
†38134A	(38049, WL3)	I.R.	Red	319257	—	319220	319204	319203	987
38135A	—	E.R.	Red	319257	—	—	319204	319203	987
38138A	—	E.R.	Red	319262	319263	‡863095	—	—	987
38143A	—	I.R.	Amber	319303	305569	319214	—	—	987
38144A	—	I.R.	Green	319217	305569	319214	—	—	987
38145A	—	E.R.	Red	319106	319222	—	—	—	987
38147A/B	—	I.R.	Red	319305	305569	319214	†319306	—	987
38150A	—	E.R.	Red	319106	319222	—	—	—	987
38151A	—	E.R.	Green	319320	319222	—	—	—	987
38152A	—	E.R.	Red	319321	319222	—	—	—	987
†38153A	(554734 and 987)	—	—	—	—	—	—	—	987
†38155A	(38132)	E.R.	Green	319217	305569	—	—	—	987
38156A/B	—	I.R.	Red	319321	319222	—	—	—	987
38157A/B	—	I.R.	Green	319320	319222	—	—	—	987
38158A	—	I.R.	Red	319106	319222	—	—	—	987
38162A	—	E.R.	Blue	319221	305569	—	—	—	987
38177A	—	E.R.	Green	319419	—	—	319204	319203	987
38179A	—	E.R.	Amber	319303	305569	—	—	—	987
38185A	—	I.R.	Green	319107	319222	—	—	—	987
†38186A	—	I.R.	Red	319106	319222	—	—	—	650
38204A	—	—	Violet	54360477	319222	—	—	—	—
38209A	—	I.R.	Amber	319123	319222	—	—	—	987
38210A	—	I.R.	Blue	54333114	319222	—	—	—	987
†319387	(38112)	—	Amber	319123	319222	—	—	—	987
†319416	(38135)	—	Red	319257	—	—	319204	319203	987
†319417	(38177)	—	Green	319419	—	—	319204	319203	987
†54360085	(319303 and 305569)	—	Amber	319303	305569	—	—	—	—
†54360247	(319303 and 305569)	—	Amber	319303	305569	—	—	—	—
†54360522	(319217 and 305569)	—	Green	319217	305569	—	—	—	—

The following parts are standard fitment to the above WL13 Models:

<b>Earth Return:</b>	<b>Insulated Return—continued</b>
§Bulb holder .. 554734	§Bulb holder .. .. 554734
<b>Insulated Return:</b>	§Screw, terminal .. .. 100521
§Bulb holder .. 863511	§Washer, securing .. .. 185012
or (when bracket connector is fitted)	
(38204A, 319387, 319416, 319417, 54360085, 54360247 and 54360522 less bulbs and bulb holders)	

### MODEL WL14

Part No.	Colour	Body	Cover and Window	Bezel	Retainer	Bulb Holder	Bulb
38140A/B	Red	§319271	—	—	318902	318904	280
38141A/E	Red	§319274	—	**318914	318902	318904	280
38142A	Green	§319273	—	—	318902	318904	280
38148A/B	Amber	§319309	—	—	318902	318904	280
38172A	Red	54360005	319394	319397	—	319408	987
38173A	Green	54360005	319395	319397	—	319408	987
38174A	Amber	54360005	319393	319397	—	319408	987
38175A	Green	54360005	319415	319397	—	319408	987
38176A	Red	54360005	319414	319397	—	319408	987

### MODEL WL15

Part No.	Colour
38189A	Red
38190A	Dark red
38191A	Green
38192A	Amber
54360500	Dark red
<b>All types:</b>	
Adaptor .. ..	††54945043
§Bulb .. ..	††281

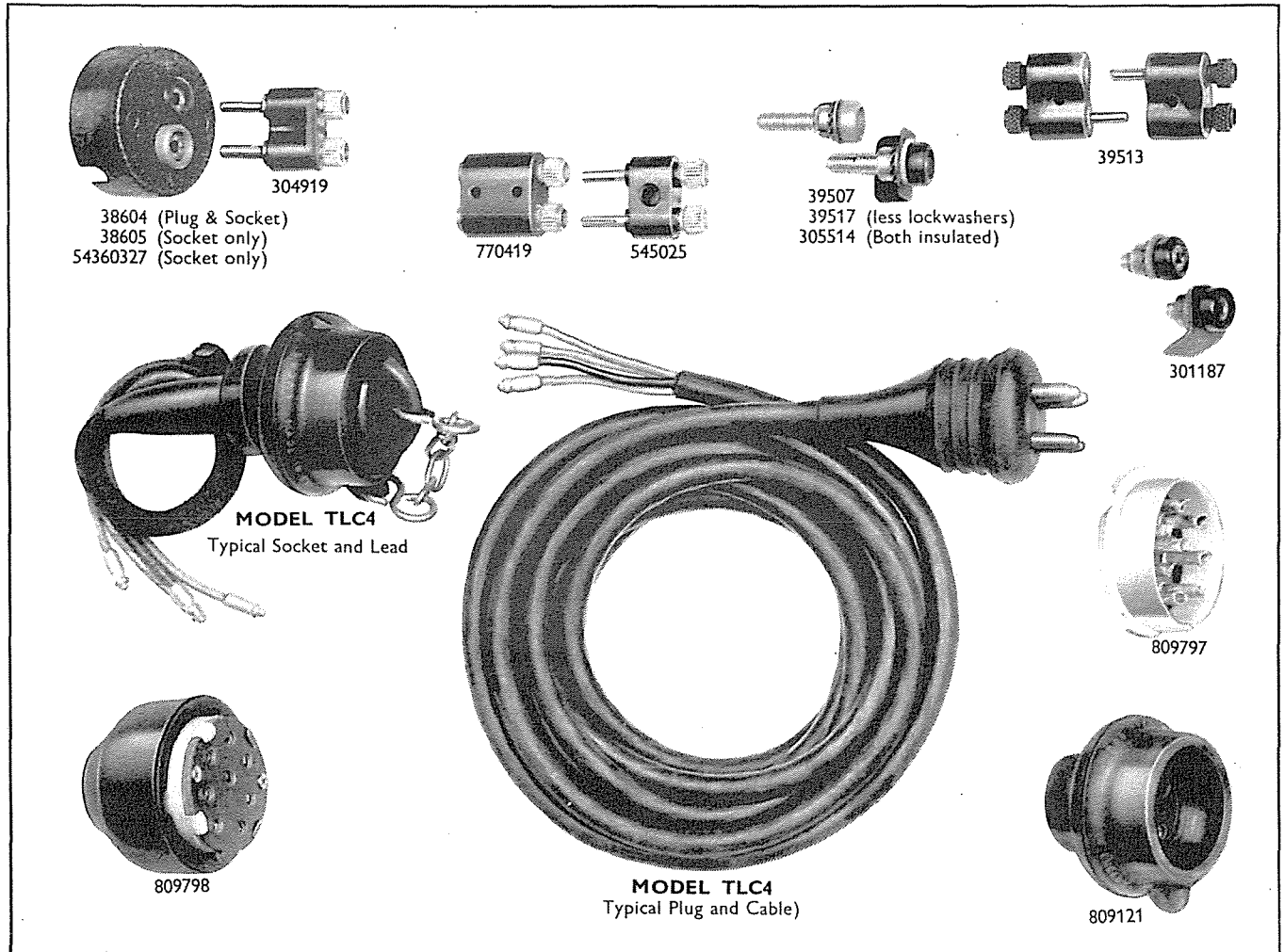
### MODEL DWL (Dual Warning Light)

38041A	Red and green
No serviceable parts	

For illustrations, see page L6



# LAMP PLUGS AND SOCKETS



## INSPECTION LAMP PLUGS AND SOCKETS

Part No.	Special Features
38604A	Two sockets mounted on special base. Complete with two-pin plug 304919.
38605A	Two sockets mounted on special base. Supplied less plug, but suitable for use with plug 545025.
39507A	Two individual sockets. Bright dip finish.
39513A	Two holders each containing one plug and one socket.
39517A	Similar to 39507A, but for lock washer.
301187	Similar to 39507A, but shorter sockets.
305514	Two insulated sockets.
545025	Two-pin plug. Diameter of pins $\frac{1}{8}$ ". Suitable for use with sockets 38605A or 770419.
770419	Two-pin socket assembly. Suitable for use with plug 545025.
54360327	Two sockets mounted on special base; as 38604, but less two-pin plug 304919.



# TRAILER PLUGS AND SOCKETS

These plugs and sockets are particularly suitable for caravans, trailers, and large and overhanging loads. Various lengths of cables are available.

## Model Interpretation

TLC2 2 pin

TLC3 3 pin

TLC4 4 pin

TLC5 5 pin

## PLUGS AND CABLES

Type	Part No.	Length of Cable	Type	Part No.	Length of Cable
TLC2	82024	2'	TLC4	82014	2'
TLC2	82026	6'	TLC4	82016	6'
TLC2	82028	10'	TLC4	82018	10'
TLC2	82029	12'	TLC4	82043	20'
TLC2	82049	100'	TLC4	82047	13'
TLC2	82066	30'	TLC5	82051	6'
TLC2	82067	40'	TLC5	82052	15'
TLC3	82006	18'	TLC5	82056	13'
TLC3	82007	4'	TLC5	82058	1'
TLC3	82009	8'	TLC5	82063	10'
TLC3	82011	12'			
TLC3	82033	13'			
TLC3	82038	20'			

## SOCKETS AND LEADS

Type	Part No.	Length of Lead	Type	Part No.	Length of Lead
TLC2	82023	5½"	TLC4	82013	5½"
TLC2	82039	6'	TLC4	82034	10'
TLC2	82062	1'	TLC4	82044	13"
TLC2	82065	20'	TLC4	82046	9"
TLC3	82040	10'	TLC5	82053	5¼"
TLC3	809069	6" (2 off)	TLC5	82057	9"
		9" (1 off)	TLC5	82061	23"

## PLUGS AND SOCKETS

Part No.	Description
809121	Dummy socket.
809797	Eight-pin plug suitable for socket 809798.
809798	Eight-hole socket suitable for plug 809797.

# BULBS



For details, see pages L12-L15



# BULBS

## ABBREVIATIONS

R.H.	..	Right Hand	LG	..	Lucas Graves
L.H.	..	Left Hand	MCC	..	Miniature Centre Contact
BPF	..	British Pre-focus	MES	..	Miniature Edison Screw Cap
BC	..	Bayonet Cap	SBC	..	Small Bayonet Cap
LBC	..	Large Bayonet Cap	SCC	..	Single Centre Contact
LES	..	Lilliput Edison Cap			

## PRE-FOCUS HEADLAMPS – SINGLE FILAMENT

Volts	Watts	Contact	Cap	Filament	Bulb Surface	Part No.	Illustration	Replaces
6	24	Single	BPF	Transverse .. .. .	Clear	163	B	—
6	36	Single	BPF	Axial .. .. .	Clear	172	A	160, 161, 164
6	36	Single	BPF	Transverse .. .. .	Clear	173	B	193, 318
6	36	Single	BPF	Axial .. .. .	Cadmium yellow	659	A	—
12	36	Single	BPF	Axial .. .. .	Clear	162	A	—
12	36	Double	BPF	Axial .. .. .	Clear	177	B	—
12	38	Single	BPF	Transverse .. .. .	Clear	325	B	165
12	38	Double	BPF	Transverse .. .. .	Clear	326	B	—
12	48	Single	BPF	Axial .. .. .	Clear	185	A	—
12	48	Single	BPF	Transverse .. .. .	Metallised	321	B	316
12	48	Single	BPF	Transverse .. .. .	Clear	323	B	192
12	48	Single	BPF	Transverse .. .. .	Cadmium yellow	600	B	323Y
12	48	Single	BPF	Axial .. .. .	Cadmium yellow	685	A	—

## PRE-FOCUS HEADLAMPS – DOUBLE FILAMENT

Volts	Watts	Contact	Cap	Filament	Bulb Surface	Part No.	Illustration	Replaces
6	18/18	Double	BPF	Transverse, vertical dip .. ..	Clear	311	D	188
6	24/24	Double	BPF	Transverse, vertical dip .. ..	Clear	166	D	—
6	30/24	Double	BPF	Transverse, vertical dip .. ..	Clear	312	D	174
6	30/24	Double	BPF	Transverse, R.H. drive .. ..	Clear	373	E	—
6	30/24	Double	BPF	Transverse, vertical dip .. ..	Cadmium yellow	602	D	—
6	35/35	Double	BPF	Bow and hooded axial, duplo, Export Europe, not France ..	Clear	403	F	—
6	45/35	Double	BPF	Transverse, L.H. drive .. ..	Clear	357	E	175, 307, 309
6	45/35	Double	BPF	Transverse, R.H. drive .. ..	Clear	356	E	175, 306
6	45/40	Double	BPF	Transverse, vertical dip, duplo, Export Europe, not France ..	Clear	378	F	—
6.4	45/35	Double	BPF	Transverse, L.H. drive .. ..	Clear	357	E	—
12	35/35	Double	BPF	Transverse, vertical dip, duplo, Export Europe, not France ..	Clear	350	F	12721C
12	36/24	Double	BPF	Transverse, R.H. drive .. ..	Clear	427	E	418
12	38/21	Double	BPF	‡Special transverse .. ..	Clear	408	E	—
12	38/21	Double	BPF	‡Special transverse .. ..	Cadmium yellow	409	E	—
12	42/36	Double	BPF	Transverse, R.H. drive .. ..	Clear	354	E	167, 300
12	42/36	Double	BPF	Transverse, L.H. drive .. ..	Clear	355	E	301
12	42/36	Double	BPF	Transverse, R.H. drive .. ..	Cadmium yellow	603	E	—
12	42/36	Double	BPF	Transverse, L.H. drive .. ..	Cadmium yellow	604	E	—
12	44/38	Double	BPF	Transverse, R.H. drive .. ..	Clear	358	E	—
12	45/40	Double	BPF	Transverse and hooded axial, du- plo, Export Europe, not France	Clear	370	F	360
12	45/40	Double	BPF	Transverse and hooded axial, vertical dip .. ..	Cadmium yellow	371	F	365
12	48/48	Double	BPF	Transverse, R.H. drive .. ..	Clear	302	E	—
12	48/48	Double	BPF	Transverse, L.H. drive .. ..	Clear	303	E	—
12	50/40	Double	BPF	Transverse, R.H. drive .. ..	Clear	414	W	—
12	60/36	Double	BPF	Transverse, R.H. drive .. ..	Clear	404	T	—
12	60/36	Double	BPF	Transverse, L.H. drive .. ..	Clear	406	T	—

## HEADLAMPS – UNIFIED EUROPEAN CAP BULBS

Volts	Watts	Contact	Cap	Filament	Bulb Surface	Part No.	Illustration	Replaces
12	45/40	3 lug	Unified	Duplo 'D' assymmetric type ..	Clear	410	C	—
12	45/40	3 lug	Unified	Duplo 'D' assymmetric type ..	Cadmium yellow	411	C	—
12	60/40	3 lug	Unified	Transverse, R.H. drive .. ..	Clear	416	VV	—
12	60/40	3 lug	Unified	Transverse, L.H. drive .. ..	Clear	417	VV	—

For illustrations, see page L10

# BULBS



## HEADLAMPS – SINGLE FILAMENT

Volts	Watts	Contact	Cap	Filament	Bulb Surface	Part No.	Illustration	Replaces
6	24	Single	SCC	Axial .. .. .	Clear	106	G	10, 11, 35, 40, 44, 72, 74, 76, 77, 107
6	24	Double	SBC	Axial .. .. .	Clear	109	G	13, 14, 15, 42, 43, 78, 79, 110
6	36	Single	SCC	V .. .. .	Clear	75	H	73, 108
6	36	Single	Bosch	Axial .. .. .	Clear	130	J	—
6	36	Single	SCC	Axial .. .. .	Cadmium yellow	374	G	—
6	36	Double	SBC	Axial .. .. .	Clear	111	G	—
12	24	Single	SCC	Axial .. .. .	Clear	1	G	—
12	36	Single	SCC	Axial .. .. .	Clear	2	G	—
12	36	Double	SBC	Axial .. .. .	Clear	5	G	4, 6, 25, 27, 33, 34, 58, 93, 114, 141, 148
12	36	Single	SCC	V .. .. .	Clear	57	H	21, 28, 30, 31, 32, 37, 53, 54
12	36	Single	SCC	Axial .. .. .	Cadmium yellow	375	G	—
12	48	Single	SCC	Axial .. .. .	Clear	23	G	—
12	48	Single	Bosch	Axial .. .. .	Clear	96	J	88, 135, 144, 147
12	48	Single	Bosch	Axial .. .. .	Cadmium yellow	661	J	—
12	60	Double	SBC	Axial .. .. .	Clear	26	G	151
12	60	Single	Bosch	Axial .. .. .	Clear	87	J	60, 152
12	60	Single	SCC	Axial .. .. .	Clear	90	G	20, 29, 186

## HEADLAMPS – DOUBLE FILAMENT

Volts	Watts	Contact	Cap	Filament	Bulb Surface	Part No.	Illustration	Replaces
6	18/18	Double	SBC	V inverted .. ..	Clear	180	L	65
6	24/24	Double	SBC	V inverted .. ..	Clear	168	L	66, 68, 70, 71
6	24/24	Double	Bosch	V inverted .. ..	Clear	183	L	101, 102, 115, 116
6	30/30	Double	SBC	V inverted .. ..	Clear	169	L	61, 69, 170
12	36/36	Double	SBC	Transverse .. ..	Clear	171	K	50, 51, 52, 62, 181
12	36/36	Double	SBC	Transverse .. ..	Cadmium yellow	376	K	—
12	36/36	Double	Bosch, L.G.	V inverted .. ..	Clear	182	L	80, 81, 82, 83, 99

## PILOT LIGHTS – HEADLAMP

Volts	Watts	Contact	Cap	Filament	Bulb Surface	Part No.	Illustration	Replaces
6	3	Single	SCC	Coil .. .. .	Clear	200	M	113
6	3	Single	MCC	Coil .. .. .	Clear, 11 mm.	641	N	—
6	3	Single	MCC	Coil .. .. .	Clear, 15 mm.	988	N	—
12	6	Single	SCC	Coil .. .. .	Clear	207	M	215
12	6	Single	MCC	Coil .. .. .	Clear, 15 mm.	989	N	—
12	4	Single	MCC	Coil .. .. .	Clear	222	N	—

For illustrations, see page L10



# BULBS

## SIDE, STOP TAIL AND FLASHER, ETC.

Volts	Watts	Contact	Cap	Filament	Bulb Surface	Part No.	Illustration	Replaces
6	3	Single	SCC	Coil .. .. .	Clear	200	M	113
6	3	Double	SBC	Coil .. .. .	Clear	204	M	—
6	3	Single	MCC	Coil .. .. .	Clear, 15 mm.	988	N	—
6	6	Single	SCC	Coil .. .. .	Clear	205	M	105
6	6	Double	SBC	Coil .. .. .	Clear	206	M	—
6	6	Single	MES	Coil .. .. .	Clear	950	R	—
6	6	Single	MCC	Coil .. .. .	Clear	951	N	—
6	18	Single	SCC	Transverse .. ..	Clear, 25 mm.	317	O	—
6	18	Double	SBC	Transverse .. ..	Clear	319	O	—
6	18/3	Double	SBC	Axial .. .. .	Clear, 25 mm.	190	Q	104
6	18/3	Double	SBC, offset pin	Transverse .. ..	Clear, 25 mm.	352	P	—
6	18/6	Double	SBC	Transverse .. ..	Clear, 25 mm.	383	Q	—
6	18/6	Single	SBC, offset pin	Transverse .. ..	Clear, 25 mm.	384	P	—
12	3	Single	SCC	Coil .. .. .	Clear	219	M	—
12	4	Single	MCC	Coil .. .. .	Clear	222	N	—
12	6	Single	SCC	Coil .. .. .	Clear	207	M	215
12	6	Double	SBC	Coil .. .. .	Clear	209	M	211, 213
12	6	Double	SBC	Coil .. .. .	Clear	225	M	—
12	6	Single	MCC	Coil .. .. .	Clear, 15 mm.	989	N	—
12	21	Double	SBC	Transverse .. ..	Clear, 25 mm.	335	O	—
12	21	Single	SCC	Transverse .. ..	Clear, 25 mm.	382	O	199, 221
12	21/6	Double	SBC, offset pin	Transverse .. ..	Clear, 25 mm.	380	P	353
12	21/6	Double	SBC	Transverse .. ..	Clear, 25 mm.	381	Q	85, 86, 189, 369
12	18/6	Double	SBC, offset pin	Transverse .. ..	Clear	361	P	—

## PANEL ILLUMINATION AND WARNING LIGHTS

Volts	Watts or Amps.	Contact	Cap	Filament	Bulb Surface	Part No.	Illustration	Replaces
2.5	0.2 amps.	Single	MES	Coil .. .. .	Clear, 11 mm.	970	R	971, 972
3.5	0.3 amps.	Single	MES	Coil .. .. .	Clear, 11 mm.	977	R	—
3.5	0.15 amps.	Single	MES	Coil .. .. .	Clear, 11 mm.	974	R	975
6.0	0.1 amps.	Single	MES	Coil .. .. .	Clear, 12 mm.	998	R	991
6.0	3.0 watts	Single	MES	Coil .. .. .	Clear, 11 mm.	990	R	63,63MA,981,982,983
6.0	1.8 watts	Single	MCC	Coil .. .. .	Clear	640	N	—
6.0	3.0 watts	Single	MCC	Coil .. .. .	Clear	641	N	—
6.0	0.6 watts	Single	BA7S	Coil .. .. .	Clear	282	U	—
12.0	2.2 watts	Double	Festoon	—	Clear	261	S	—
12.0	2.2 watts	Single	MES	Coil .. .. .	Clear, 11 mm.	987	R	984, 985, 986, 1224M
12.0	1.5 watts	Single	LES	Supported coil ..	Clear	†280	Z	—
12.0	2.0 watts	Single	BA7S	Coil .. .. .	Clear	281	U	—
12.0	2.2 watts	Single	MCC	Coil .. .. .	Clear	643	N	—
12.0	2.2 watts	Single	MCC	Coil .. .. .	Clear	645	N	—
16.0	3.0 watts	Single	MCC	Coil .. .. .	Clear, 15 mm.	647	N	—

† Direction Indicator

## DASH AND TRAFFICATOR

Volts	Watts	Contact	Cap	Filament	Bulb Surface	Part No.	Illustration	Replaces
6	3	Double	Festoon, 7.5 × 35.6 mm.	—	Clear	255	S	—
6	6	Double	Festoon, 11 × 38 mm.	—	Clear	253	S	257
12	3	Double	Festoon, 7.5 × 35.6 mm.	—	Clear	256	S	—
12	6	Double	Festoon, 11 × 38 mm.	—	Clear	254	S	—
12	6	Double	Festoon, 11 × 44 mm.	—	Clear	258	S	251

For illustrations, see page L10

# BULBS



## 24 VOLT BULBS FOR C.A.V. COMMERCIAL EQUIPMENT

Volts	Watts	Contact	Cap	Filament	Bulb Surface	Part No.	Illustration	Replaces
24	2	Single	BA7S .. .. .	—	Clear	283	U	—
24	2.8	Single	MES .. .. .	Bow .. ..	Clear, 15 mm.	650	R	—
24	2.8	Single	MCC .. .. .	Bow .. ..	Clear, 15 mm.	651	N	—
24	2.8	Single	MES .. .. .	Bow .. ..	Clear, 15 mm.	993	R	—
24	6	Single	SCC .. .. .	Bow .. ..	Clear, 19 mm.	149	M	133
24	6	Double	SBC .. .. .	Bow .. ..	Clear, 19 mm.	150	M	132, 320
24	6	Single	MCC 15 mm. .. ..	Bow .. ..	Clear	227	—	—
24	6	Double	Festoon, 7.5 × 35.6 mm.	—	Clear	259	S	—
24	6	Double	Festoon, 11 × 44 mm. . .	—	Clear	260	S	—
24	6	Double	BC .. .. .	Bow .. ..	Clear	638	—	—
24	6	Double	Festoon, 11 × 38 mm. . .	—	Clear	653	—	—
24	6	Double	Festoon, 11 × 38 mm. . .	—	Clear	654	—	5835/26B
24	6/24	Double	SBC .. .. .	Transverse ..	Clear, 25 mm.	334	Q	—
24	6/24	Double	SBC 25 mm. .. ..	Stop tail ..	Clear	692	Q	—
24	24	Double	SBC .. .. .	Transverse ..	Clear, 25 mm.	333	Q	—
24	24	Single	SCC 25 mm. .. ..	Stop light ..	Clear	339	O	—
24	33/35	Double	BPF .. .. .	Duplo .. ..	Clear	362	F	—
24	36	Double	SBC .. .. .	Axial .. ..	Clear	123	G	121, 122, 125, 140, 142, 145
24	36	Double	LBC .. .. .	Axial .. ..	Clear	622	—	—
24	36	Single	SCC .. .. .	Axial .. ..	Clear	621	—	—
24	36/36	Double	SBC .. .. .	Transverse ..	Clear	194	K	—
24	44	Double	BPF .. .. .	Transverse ..	Clear	330	B	329
24	44	Double	BPF .. .. .	Axial .. ..	Clear	331	A	179, 187, 313
24	44	Double	BPF .. .. .	Transverse ..	Cadmium yellow	601	B	—
24	44	Single	BPF .. .. .	Transverse ..	Clear	606	—	—
24	44/38	Double	BPF .. .. .	Transverse, L.H. drive ..	Clear	332	D	195, 305, 363
24	44/38	Double	BPF .. .. .	Transverse, R.H. drive ..	Clear	359	D	195, 304
24	44/38	Double	SBC .. .. .	Transverse ..	Clear	671	—	—
24	45/40	Double	BPF .. .. .	Duplo .. ..	Clear	336	F	362
24	48	Double	LBC .. .. .	Axial .. ..	Clear	624	—	—
24	48	Single	SCC .. .. .	Axial .. ..	Clear	623	—	—
24	60	Single	SCC .. .. .	Axial .. ..	Clear	124	G	155
24	60	Double	Bosch .. .. .	Axial .. ..	Clear	127	J	—
24	60	Single	SBC .. .. .	Axial .. ..	Clear	128	G	—
24	60	Double	Bosch .. .. .	Axial .. ..	Clear	131	J	—

For illustrations, see page L10



# SUNDRY LAMPS

## VEHICLE APPLICATION REFERENCE

### SUNDRY LAMPS

Bonnet, Boot, Clock Illumination, Dash, Glove Box, Inspection, Interior, Map Reading, Panel, Radiator Badge, Repeater, Roof, Front Grille Illumination and Taxi Sign Lamps.

39006 PIL Panel light, front grille illumination or map reading light. 12v.; double contact.  
 Armstrong Siddeley 'Hurricane', 'Lancaster', 'Whitley' and 'Typhoon' 1950-53; Limousine 1951-52; 'Sapphire' 1955-59; ½ ton Pick-up Truck (Export only) 1957; 'Star Sapphire' 1959-60.  
 Aston Martin DB2 1951-54; DB2/4 1955-57.  
 Austin A125 1948-54; A135 1954-60; 4 litre 'Princess' Mk. IV and Limousine (Front compartment) 1957-59; B.M.C. 3 litre 'Princess' 1960; Ambulance and Hearse 1951-55.  
 Bentley 4½ litre Mk. VI 1946-51.  
 Bristol 406 1958-60.  
 Jaguar Mk. VII 1951-58; Mk. V 1951-52; Mk. VIII 1957-59; Mk. IX 1959-60.  
 Jensen 3½ litre 1946-47; 4 litre 'Interceptor' 1950-55.  
 39007 PL31. Panel light bulb holder; less bulb.  
 A.F.N. 'Le Mans' and 'Mille Miglia' 1951-54.  
 Alvis TA21, TC21 and TC21/100 1951-55; TB21 Sports 1952; TD21 1958-60.  
 Austin-Healey '100 Six' 1957-59; '3000' 1959-60; 'Sprite' 1958-60; LD1A, LDO1A, LD2A and LDO2A 1958-59; LCFO 1958; 301FC 1959; 3, 4 and 5 ton Series III 1958-59; Series IVFF 1958; Petrol Tanker and Coach Series III Forward Control 1957-60; 1½/2 ton 301 Range (except 301FC) 1957-60.  
 Bristol '404' 1954-55; 'X404' (Arnolt body) 1954; '405' 1955-58.  
 Commer 'Express' Delivery Van and Pick-up Truck 1955-57.  
 Healey 'Tickford' Saloon 1951-54; 'Abbot' Drop-head Coupé 1952-54.  
 Hillman 'Minx' All Models 1946-57; De Luxe Series III 1954-57.  
 Jowett 10 cwt. 'Bradford' Van 1951-54; De Luxe Van and 6 Light Utility 1949-52.  
 Lambourne, C.F. 'Lamb-Kar' 1952-54.  
 Lea Francis 14 1950-54; 18 4 Light Saloon 1951-54; 18 6 Light Saloon 1950-53; 1½ litre Sports 1949-54.  
 M.G. 1½ litre 1951-53; 'Midget' 1951-55.  
 Morgan 3-wheeler 1948-52; 'Plus Four' 1946-60.  
 Morris 'Oxford' 1956; 5 cwt. Van 1950-53.  
 Morris Commercial 25/30 cwt. LC3 1946-52; LC4, LC5 and LCO5X 1953-59; FV and FVS 1949-55; Petrol Tanker 1951-52; FVO 1949-54; FV50 1955; NV and NV12/3 1954-55; NV5 1951-54; PP Coach 1950-51; 10 cwt. 'J' Van 1949-57; 'JB' Van (G.P.O.) 1958-60; LD1 and LDO 1954-60; LDO1, LDO2 and LCFO (2 ton Diesel) 1958-59; 3 ton 3KNC (G.P.O.) 1956-59; 2/3, 4 and 5 ton Series III Trucks 1956-60; Series III Coach 1957-59; Series III Tanker 1957; Series III Prime Mover 1958-60; 7 ton Truck, Coach and Tanker 1958.  
 Peerless 'Gran Turismo' 1960.  
 Rover '60', '75', '90' and '105' 1948-59.  
 Smiths Delivery Vehicles 2 ton Diesel (CP80) 1953-55.  
 Standard 12 and 14 1946-48.  
 Triumph TR2 and TR3 1955-60; 'Mayflower' 1950-53.  
 Trojan 15/20 cwt. Van 1952-57.  
 Wolsley 12 1946-48; 'Six Ninety' 1955-59.  
 39010 PL34 Panel light bulb holder. 12v.; single contact.  
 Austin A125 1948-54; A135 1948-55; Ambulance and Hearse 1951-55; Light 2 ton LCFO 1958; 301FC 1959; 3, 4 and 5 ton Series III 1958-59; Series IIIFC Petrol Tanker and Coach 1957-60; 1½/2 ton 301 Range (except 301FC) 1957-60; Morris 5 cwt. Van 1950-53.  
 Morris Commercial LC4, LC5 and LCO5X 1953-59; NV 1954; FVS12/5, FV50, NV12/3, NVO, NVO12/3, NVO11/5, NVS12/3 and NVS13/5 1955; LD1, LDO, LDO1 and LDO2 1954-60; 2 ton LCFO 1958-59; 3 ton 3KNC (G.P.O.) 1956-59; 2/3, 4 and 5 ton Series III Trucks 1956-60; Series III Coach 1957-59; Series III Tanker 1957; Series III Prime Mover 1958-60.  
 Rover '60', '75', '90' and '105' 1948-59; '80' and '100' 1960; 3 litre 1959-60.  
 Triumph 'Mayflower' 1950-53.  
 39015 PL39 Panel light bulb holder. Less bulb.  
 Morris 'Minor' 1948-55; 'Cowley' Van and Pick-up Truck 1950-53; 'Oxford' 1950-54; 'Oxford Traveller' 1955; 'Six' Saloon 1950-54; Quarter Ton Van (G.P.O.) 1954.  
 Riley 1½ litre 1946-55.  
 Singer 9 Roadster 1946-51; 'SM1500' 1949-54.  
 Standard 'Vanguard', 12 cwt. Van and Pick-up Truck 1948-55.  
 Triumph 'Renown' 1950-53.

39015—continued  
 Wolsley 'Six Eighty' 1949-54; 'Four Forty-Four' 1955-56; 'Four Fifty' 1949-53; 'Fifteen Fifty' 1957-59.  
 39020 PL43 Panel light bulb holder. Less bulb.  
 Austin A40 1951-55; Austin-Healey '100' and '100M' 1954; 10 cwt. 101 Van 1958-60.  
 Jowett 'Javelin' and 'Jupiter' Sports 1951-54.  
 Morris Commercial 'JB' Van 1958-60.  
 Reliant 'Regal' Car and Van and 'Regent Four' Van 1959-60.  
 Standard 12 cwt. Van and Pick-up Truck (Diesel) 1956-57.  
 52405 550 Glove box lamp. C.P.R. with cowl covering half of clear lens; rubber body; 12v.; single contact.  
 Humber New 'Super Snipe' Series I and II 1959-60.  
 52447 513 Taxi sign lamp holder. 12v.; single contact.  
 Austin Taxi (Diesel) 1959-60.  
 52477 481 Map light. 12v.; single contact.  
 Jaguar 2.4, 3.4 and 3.8 litre 1960.  
 53163 491 Boot lamp or engine compartment lamp, bulb holder and bracket assembly.  
 Armstrong Siddeley 'Sapphire' 1953-58; 'Star Sapphire' and Limousine 1959-60.  
 Jensen 4 litre 'Interceptor' 1952-55; '541' and '541R' 1954-58; 'Tempo 1500' 1958-60.  
 Jowett 'Javelin' De Luxe 1953-54.  
 Lea Francis 14 and 18 4 Light Saloon 1951-54; 18 6 Light Saloon 1952-53.  
 Rover '75' 1950-51.  
 53235 519 Boot lamp, bulb holder and clip. Two-screw fixing.  
 Rover '60', '75', '90' and '105' 1952-59; '80', '100' and 3 litre 1959-60.  
 53264 519 Boot lamp, bulb holder and clip. Two-screw fixing; as 53235, but extra clip.  
 Humber 'Super Snipe' 1953-57.  
 Jensen '541' and '541R' (later) 1958-60.  
 53396 519 Boot lamp, bracket and bulb holder with mercury switch. 12v.; single contact.  
 Vauxhall 'Cresta' 1955-57; 'Velox' and 'Cresta' De Luxe 1958-60.  
 53681 519 Boot lamp, bracket and bulb holder with mercury switch. 12v.; single contact.  
 Humber New 'Hawk' and New 'Super Snipe' 1959-60.  
 56010 DF41 Dash lamp. C.P. cover; 12v.; single contact; centre fixing.  
 Aston Martin DB3/S Competition 2-seater 1956.  
 H.R.G. 12 1946-52.  
 Smiths Delivery Vehicles Standard Drive Models (Electric), 1 ton (Diesel) and 2 ton (Diesel) CP80 1953-55.  
 Sunbeam 'Alpine' Sports 1959-60.  
 56015 FML2 Boot or roof lamp. C.P.R.; 12v.; double contact; two-screw fixing.  
 Jaguar 1½, 2½ and 3½ litre Saloon 1946-51; XK120 and XK140 1949-57.  
 Riley 1½ litre 1946-55.  
 56016 F214 Roof lamp. C.P.R.; 12v.; single contact; three-screw fixing.  
 Austin 'Princess' Mk. IV 1957-59.  
 Humber 'Hawk', 'Pullman' and 'Super Snipe' 1946-54; 'Super Snipe' 1957.  
 56018 BT1 Boot lamp. Black finish; 12v.; single contact two-screw fixing.  
 Humber 'Hawk' and 'Imperial' 1946-48; 'Super Snipe' 1946-57.  
 56022 300FS Roof lamp. Black rim; 12v.; single contact; three-screw fixing.  
 Bedford 10/12 cwt. Van 1950-52.  
 Morris 'Cowley' Van 1950-53; Half Ton Van 1954-56.  
 Morris Commercial 15/20 cwt. (PV) 1949-53.  
 56029 D41 Dash lamp. C.P.; 12v.; single contact; centre fixing.  
 Morris 5 cwt. Van 1951-53.  
 56031 D41 Dash lamp. 12v.; single contact; centre fixing.  
 Morris Commercial 15/20 cwt. (PV) 1949-53; 25/30 cwt. (LC3) 1951-52; CV Ambulance and CV9/40 1950-51; ECV13/5 (Petrol) and ECV0 13/5 (Diesel) 1949.  
 Reliant 750 c.c. 3-wheeler (6 volt) 1947-54; 6 cwt. Van and Truck (6 volt) 1954-55; 10 cwt. 3-wheeler Van (later 'Regent') (12 volt) 1951-56.

56035 D43-2 Boot lamp. Red bakelite cover; 12v.; single contact; centre spigot fixing.  
 Allard 16 1947-49; 'P2' Model 1952-55; 'M' and 'P' Models 1951.  
 Morris 'Oxford' 1948-49; 'Six' Saloon 1949.  
 Wolsley 'Six Eighty' and 'Four Fifty' 1949-54.  
 56037 481 Bulb holder assembly. 12v.; single contact; two-screw fixing.  
 Armstrong Siddeley 'Star Sapphire' and Limousine 1959-60.  
 Humber 'Imperial' and 'Pullman' 1950-54.  
 56045 DF41T Dash lamp. C.P. cover; 12v.; single contact; flange fixing.  
 Humber 'Imperial' and 'Pullman' 1948-52; 'Super Snipe' 1951-57.  
 Invicta 3 litre 'Black Prince' 1948-49.  
 Sunbeam-Talbot '90' 1951-52.  
 56046 45S-BQ Roof lamp. C.P.R.; 12v.; single contact; two-screw fixing.  
 Sunbeam 'Alpine' Saloon 1953-55.  
 Sunbeam-Talbot 2 litre 1946; '80' 1948-50; '90' Saloon 1948-54.  
 56047 44S-S Roof lamp. C.P.; 12v.; double contact; two-screw fixing.  
 Commer 'Express' Delivery Van and Pick-up Truck 1953-54.  
 Healey 16 Roadster and 16 Saloon 1948-49; 'Tickford' Saloon 1951.  
 Hillman 'Minx' All Models 1946-54.  
 H.R.G. 12 1946-52.  
 Humber 'Hawk' 1950-52; 'Imperial' 1948-54; 'Super Snipe' 1955.  
 M.G. 'Midget' 1949.  
 Sunbeam 'Alpine' Coupé 1955.  
 Sunbeam-Talbot 10 1946-47; '90' 1951-52.  
 56048 45S-BQ Roof lamp. C.P.R.; 12v.; single contact; two-screw fixing.  
 Sunbeam-Talbot '90' (Coupé only) 1951-52.  
 56057 DF41 Map reading lamp. C.P. cover; 12v.; single contact.  
 A.F.N. 'Le Mans' and 'Mille Miglia' 1952-54.  
 Humber 'Pullman' 1946-47.  
 H.R.G. 9 1946-52.  
 Lea Francis 1½ litre Sports 1949.  
 M.G. 'Midget' (30 m.p.h. warning lamp) 1949.  
 56060 562 Roof lamp. C.P.R.; 12v.; single contact.  
 Armstrong Siddeley 'Sapphire 234' and 'Sapphire 236' 1956-58.  
 Austin A135 (Front compartment) 1956-60.  
 56061 562 Roof lamp. C.P.R.; 12v.; double contact.  
 Austin A135 (Rear compartment) 1956-60; Taxi and Hire Car (Diesel) 1960.  
 Daimler 'Majestic' 1959-60.  
 56062 562 Roof lamp. C.P.R.; 12v.; single contact.  
 Austin 1½ ton (2.2 litre Petrol and Diesel), 2 ton (200), 3 ton (304), 4 ton (404) and Series IVFG Trucks (Forward Control) 1960; 152 Series (driving cab roof lamp) 1957-60.  
 Morris Commercial 'J' Light Van and Pick-up Truck 1957-60; 1½, 2, 3 and 4 ton Forward Control Series IVFG Trucks 1960.  
 56063 562 Roof lamp. C.P.R.; 12v.; single contact.  
 Austin 152 Range (coach roof lamp) 1958-60.  
 Morris 'Minibus' (interior) 1957-60.  
 61412 R451 Boot lamp. C.P.R.; 12v.; single contact; flush fitting.  
 Rolls-Royce 'Silver Wraith' 1951-59.  
 61416 578 Inspection lamp. Moonstone glass; reflector; 12v.; single contact.  
 Rolls-Royce 'Silver Wraith' 1956-59.  
 63000 D20-2 Dash lamp. Black finish; 12v.; double contact; flange fixing.  
 Austin B.M.C. 7 ton Series III Petrol Tanker 1958; 2½ ton Petrol Tanker 1952-55; 3/4 and 3/5 ton Petrol Tanker Series III 1957-60.  
 Morris Commercial Series III Petrol Tanker 1958-60; 7 ton Tanker (Diesel) 1958.  
 060103 998 Inspection lamp. Black finish; 12v.; double contact.  
 Daimler 27 and 36 1946-53.  
 060121 100 Inspection lamp. 12v.; polychromatic beige finish; double contact.  
 Singer 'Hunter' 1955-56; 'Hunter S' 1956.  
 523694 Bulb holder and bracket assembly.  
 Morris 'Oxford' Taxi and Hire Car 1947-51.  
 534539 RL2 Radiator badge, marked 'Wolsley'. 12v.; single contact.  
 Wolsley 'Six Eighty' and 'Four Fifty' 1949-54; 'Four Forty-Four' 1953-56; 'Six Ninety-Nine' 1957-60; 'Fifteen Sixty' and 'Fifteen Hundred' 1958-60; 'Fifteen Fifty' 1957-59.

C.P. .. Chromium plated      C.P.R. .. Chromium plated rim

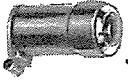


# SUNDRY LAMPS

## VEHICLE APPLICATION REFERENCE—continued

### WARNING LIGHTS AND BULB HOLDERS

- 38018 WL3/1.** 12v.; black cover; green window.  
A.F.N. 'Le Mans' 1951-54.  
Aston Martin 2 litre 1947-50.  
Frazer Nash 'Mille Miglia', 'Targo Florio' and 'Sebring' Hard Top 1955.  
Healey 'Sportsmobile' 1949; 'Tickford' Saloon 1951-54; 'Abbot' Drophead Coupé 1952-54.  
Rover 10, 12, 14 and 16 1946-47; 'Landrover' 1952-60.
- 38029 WL3/1.** 6v.; C.P. cover; red window.  
A.C. Cars 'Petite' 1953-57; Invalid Carriage 1947-53.  
Austin 8, 10 and 12 1946-47; 16 1946-48.  
Barrett, W. & F. Invalid Carriage 1949-54.  
Dellow Sports Mk. III 1952-54.  
Dodge 61C, 100C, 101C, 120C and 122C 1947.  
Lloyd '650' Roadster 1948-50.  
Morgan 3-wheeler 1948-52.  
Morris 8 1946-48; 5 cwt. Van 1946-53.  
Standard 8 1946-48.
- 38041 DWL.** 12v.; red and green windows.  
Austin A40 1948-51.
- 38043 WL3/1.** 12v.; black cover; amber window.  
Rover 10, 12, 14 and 16 1947; '60' and '75' 1948-49; '90' 1954-59; '105' 1957-59; 'Landrover' 1948-60.
- 38044 WL10.** Single bulb holder; less bulb; as 38047, but longer base.  
Riley 1½ litre 1950-55; 2½ litre 1950-53.  
Wolsley 'Four Forty-Four' 1953-56; 'Four Fifty' 1949-53; 'Fifteen Fifty' 1957-59.
- 38045 WL10.** Double bulb holder; less bulbs.  
Wolsley 'Six Eighty' 1949-54.
- 38046 WL3/1.** 12v.; black cover; red window.  
A.F.N. 'Le Mans' 1951-54.  
Austin 25 cwt. Ambulance 1948-54; 2 and 5 ton Trucks 1949-50.  
Commer 15/25 cwt. 1946-48; 25 cwt. Forward Control 1946-50; 25 cwt. 'Superpoise' Van 1949-50; 2 and 3 ton 1946-47; 3 and 4 ton Trucks, Pantechnicon, Tipper and 'Commando' (Petrol) 1947-49; 2/3, 3/4 and 4/5 ton 1949-51; 5 ton 1947; 8 ton Tractor Trailer 1950.  
Frazer Nash 'Mille Miglia', 'Targo Florio' and 'Sebring' Hard Top 1955.  
Healey 'Sportsmobile' 1949; 'Tickford' Saloon 1952-54; 'Abbot' Drophead Coupé 1952-54.  
Jaguar XK-SS Open 2-seater (Export U.S.A. only) 1958.  
Jensen 3½ litre 1946-47; 4 litre 'Interceptor' 1950-54.  
Jowett 10 cwt. Van and 6 Light Utility 1951-52.  
Karrier 'Bantam' 1946-50; 'Cob' 1947-48; 3 ton CK3 1946-52.  
Lea Francis 14 1946-48.  
Morris Commercial 25/30 cwt. (LC3) 1946-49; CV11/40 (Lorries) and CV9/40 1949-51.  
Reliant 10 cwt. 3-wheeler Van (12 volt) 1951-56.  
Rover 10, 12, 14 and 16 1946-47; '60' and '75' 1948-49; 'Landrover' 1948-50 and 1952-60.  
Singer 'SM1500' 1949-54.  
Standard 12 and 14 1946-48.
- 38047 WL10.** Single bulb holder; less bulb; as 38044, but shorter base.  
Singer 'SM1500' 1949-53.
- 38048 WL4.** 12v.; body only; complete with bulb.  
Austin A40 1948-53; A90 'Atlantic' 1949-52; A70 'Hampshire' 1948-50.  
Jaguar 1½ litre Saloon 1947-48; 2½ litre Saloon 1946-48 and 1949-51; 3½ litre Mk. V 1949-58; Mk. VIII and Mk. IX 1957-60; XK120 1949-54; XK140 1955.  
Riley 'Pathfinder' 1954-57.  
Triumph 'Mayflower' 1950-53.
- 38049 WL3/1.** 12v.; C.P. cover; red window.  
A.C. Cars 'Petite' 1953-57; 'Ace' Sports 1955-60.  
Allard All Models 1949-55.  
Aston Martin 2 litre 1947-50; DB2 1951-54; DB2/4 1955-57; DB3/S Competition 2-seater 1956.  
Austin Taxi and Hire Car 1948-58; LD1A and LD2A 1955; 25 cwt. Ambulance 1948-54; 2 and 3 ton 1946-48; Series III Models 1956-59; 101 Van 1958-60; 301 Range 1957-60.  
Daimler DC27 Ambulance 1949-54.  
Dodge 61C, 100C, 101C, 120C and 122C 1947-48; Petrol Models 1949-58.  
Healey 16 Roadster 1948-49; 'Silverstone' 1950.  
H.R.G. 9 and 12 1949-52.  
Jaguar Mk. IX and 2.4 litre Mk. II 1960.  
Jowett 'Jupiter' Sports 1951-54.  
Lagonda 2½ litre 1949-52; 3 litre 1954-58.  
Lea Francis 14 1949-54; 18 1950-54; 1½ and 2½ litre Sports 1949-54.
- 38049—continued**  
M.G. 1½ litre 1947-50; 'Midget' 1946-53.  
Morgan All Models 1946-50.  
Morris 'Cowley' Van and Pick-up Truck 1950-53; 'Oxford' and 'Six' Saloon 1948-54; Taxi and Hire Car 1947-51; Quarter Ton and Half Ton Vans and Trucks 1954-56; 10 cwt. Van 1946-50.  
Morris Commercial 15/20 cwt. (PV) 1946-53; 25/35 cwt. 1946; LC Models 1950-60; 35/40, 45/55 and 60/70 cwt., 5 ton Forward Control, Tipper and ECV13/3 1946-48; CV Ambulance 1947-51; CV11/40 and CV9/40 1949-51; ECV13/5 and ECV10/3 1949; FV, FVS and FVS12/5 1949-54; NVS, NVS12/3 and NVS13/5 1951-54; PP Coach 1950-51; 10 cwt. 'J' and 'JB' Vans 1949-60; LD Models 1954-60; Series III Trucks 1956-59; Series III Coach 1957-59.  
Rover '60' 1954-59; '80' and '100' 1960.  
Singer 9 1950-51; 10 and 12 1946-49; 4A and 4AD 1952-55; 'SM1500' (later) 1953-54; 'Hunter' and 'S' Model 1955-56.  
Trojan 15/20 cwt. Van and Truck 1946-60; 25 cwt. Van, Truck and Bus 1955-60.  
Wolsley 12, 14 and 18 1946-48; 25 1948.
- 38050 WL10.** Triple bulb holder; less bulbs.  
Rover '75' 1950.
- 38052 WL12.** 12v.; C.P. cover; red window.  
Allard All Models 1949-55.  
Armstrong Siddeley 'Sapphire' 1953-54.  
Austin 101 Van 1958-60; 301 Range 1957-60.  
Bentley 4½ litre Mk. VII 1952-54.  
Bristol '404' and '405' 1954-58.  
Citroen 15 and 23 1949-54.  
Commer 'Express' Delivery Van and Pick-up Truck 1953-54; 8 cwt. 1950-52.  
Daimler 2½ litre Models (except 'Consort') 1951-53; DC27 Ambulance 1949-54.  
Dellow Sports Mk. IIC and Lightweight Mk. V 1955-57.  
Healey 'Silverstone' 1950.  
Hillman 'Minx' 1951-53.  
Humber 'Hawk', 'Imperial' and 'Pullman' 1951-54; 'Super Snipe' (Export U.S.A.) 1951-52.  
Jowett 'Javelin' and 'Bradford' Van 1952-54.  
Morgan 'Plus Four' 1951-52.  
Morris Commercial LC Models 1953-60; FV, FVS and FVS12/5 Petrol Tanker, FVO, FVSO and FVSO12/5 1945-55; NVS, NVS12/3 and NVS11/5 1951-55; 10 cwt. 'J' and 'JB' Vans 1949-60; LD Vans 1954-60.  
Rover '60', '75', '80', '90' and '100' 1954-60; 'Landrover' 1949-51.  
Standard 'Vanguard' 1949-53.  
Sunbeam 'Alpine' 1953-54.  
Sunbeam-Talbot '80' and '90' 1950-54.  
Triumph 'Mayflower' and 'Renown' 1950-54.
- 38053 WL12.** 12v.; C.P. cover; green window.  
Allard K3 1954.  
Bristol '404' and '405' 1954.  
Commer 'Express' Delivery Van and Pick-up Truck 1953-54.  
Hillman 'Minx' 1951-54.  
Rover '60', '75', '80', '90', '100' and '105' 1955-60.  
Sunbeam 'Alpine' 1953-54.  
Sunbeam-Talbot '90' 1954.
- 38054 WL3/1.** 12v.; C.P. cover; green window.  
A.C. Cars Invalid Carriage 1953.  
Allard 'J', 'J2', 'J2X', 'K3', 'P2', '21C' and '21Z' 1951-55.  
Aston Martin DB2 and DB2/4 1951-54.  
Austin Taxi and Hire Car 1956-58.  
Daimler DC27 Ambulance 1949-54.  
Healey 16 Roadster (Export U.S.A.) 1949; 'Silverstone' 1950.  
Jaguar XK-SS Open 2-seater (Export U.S.A. only) 1958.  
Jowett 'Jupiter' Sports 1951-54.  
Lagonda 2½ litre 1949-52; 3 litre 1954-58.  
Lea Francis 14 1949-54; 18 4 and 6 Light Saloon 1951-54; 1½ and 2½ litre Sports 1949-54.  
M.G. 'Midget' 1950-52.  
Rover '60', '75', '80', '90', '100' and '105' 1952-60.  
Singer 'Hunter' 1955.  
Sunbeam-Talbot 10 1946-47.
- 38058 WL12.** 12v.; C.P. cover; red window.  
Rover 'Landrover' 1951-53.  
Singer 4AC and 4AD 1952-55.
- 38059 WL11.** 12v.; black cover; red window.  
Alvis All Models 1951-54.  
Bristol 'X404' (Arnold body) 1954.  
Commer 1½/1½ ton Forward Control 1956-60; 5 ton 'Superpoise' 1952-54.  
Dellow Sports 1955-57.  
Karrier Passenger Chassis 1957-60.  
Morgan 'Plus Four' 1951-57.
- 38059—continued**  
Paramount Roadster and Coupé 1954.  
Peerless 'Gran Turismo' 1959.  
Rover '75' 1951; 'Landrover' 1951-54.  
Smiths Delivery Vehicles 2 ton Diesel (CP80) 1953-55.  
Standard 'Vanguard' 1960.  
Swallow 'Doretta' 1954-55.  
Triumph TR2 and TR3 1954-60.
- 38066 WL3/1.** 12v.; black cover; red window.  
Jowett 10 cwt. 'Bradford' Van 1946-50.  
Reliant 750 c.c. 4 cylinder 3-wheeler 1946-54; 6 cwt. Van and Truck (6 volt) 1954-55.
- 38067 WL11.** 12v.; C.P. cover; green window.  
Austin-Healey '100' and '100M' 1956; '3000' 1959-60; 'Metropolitan' 1957-60.  
Bristol 'X404' (Arnold body) 1954.  
Dellow Sports 1955-57.  
Nash 'Metropolitan' 1954-60.  
Paramount Roadster and Coupé 1954.
- 38068 WL11.** 12v.; C.P. cover; amber window.  
Paramount Roadster and Coupé 1954.  
Peerless 'Gran Turismo' 1959.  
Rover '75', '90' and '105' 1951.  
Swallow 'Doretta' 1954-55.  
Triumph TR2 and TR3 1954-60.
- 38071 WL11.** 12v.; black cover; amber window.  
Bristol 'X404' (Arnold body) 1954.
- 38073 WL12.** 6v.; C.P. cover; red window.  
Reliant 'Regal' Car and 5 cwt. Van (later) 1953-58.
- 38094 WL11.** 6v.; C.P. cover; red window.  
Citroen 2CV Van 1954-60.  
Reliant 'Regal' Car (6 volt) 1953-58.
- 38095 WL11.** 6v.; C.P. cover; green window.  
Reliant 'Regal' Car and 5 cwt. Van 1953-58.
- 38100 WL13.** 12v.; red window.  
Alvis 3 litre TD21 1958-59.  
Bond 'Minicar' 1958-60.  
Daimler 'One-O-Four' 1956; 'Majestic' 1959-60.  
Dodge Petrol Models (SFC) 1957.  
Isetta (Great Britain) '300' 1957.  
Jensen '541' and '541R' 1954-60.  
M.G. 'Midget' 1954-55.  
Morrison Electricians 25 cwt. B1/LH 1955-56.
- 38101 WL13.** 12v.; blue window.  
Jensen '541' and '541R' 1954-60.  
M.G. 'Midget' 1954-55.
- 38102 WL13.** 12v.; green window.  
Isetta (Great Britain) '300' 1957-60.  
Jensen '541' and '541R' (later) 1954-60.  
Lotus 'Elite' 1959.  
M.G. 'Midget' 1954-55; MGA 1956-60.  
Standard 'Atlas' (later) 1960.
- 38103 WL12.** 12v.; black cover; blue window.  
Bristol '404' 1954; '405' 1955-58.
- 38104 WL12.** 12v.; black cover; amber window.  
Bristol '404' 1954; '405' 1955-58.
- 38111 WL11.** 12v.; black cover; blue window.  
Bristol 'X404' (Arnold body) 1954.
- 38112 WL13.** 12v.; C.P. cover; amber window.  
Aston Martin DB Mk. III Saloon 1958-59; DB4 and DB4GT 1959-60.  
Beardmore Taxi Mk. VII 1955.
- 38118 WL13.** 12v.; C.P. cover; red window.  
Beardmore Taxi Mk. VII 1955.  
Commer 'Express' Delivery Van and Truck 1955-60; 'Cob' 1959-60.  
Hillman 'Minx' 1955-56; 'Husky' 1960.  
Humber 'Hawk' and 'Super Snipe' 1955-57.  
Sunbeam Saloon Mk. III 1955-57.
- 38119 WL13.** 12v.; C.P. cover; green window.  
Beardmore Taxi Mk. VII 1955-58.  
Commer 'Express' Delivery Van and Truck 1955-60.  
Hillman 'Minx' 1955-56.  
Humber 'Hawk' 1955-57; 'Super Snipe' 1955.  
Sunbeam Saloon Mk. III 1955-57.
- 38124 WL13.** 12v.; C.P. cover; green window.  
Daimler 'Majestic' 1959-60.  
Humber 'Super Snipe' 1957.
- 38125 WL13.** 12v.; green window.  
Morrison Electricians 25 cwt. B1/LH 1955-56.  
Rover 'Landrover' (G.P.O.) 1955-56.



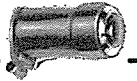
# SUNDRY LAMPS

## VEHICLE APPLICATION REFERENCE—continued

### WARNING LIGHTS AND BULB HOLDERS—continued

- 38132 WL13. 12v.; C.P. cover; green window.  
Austin 152 Range 1957-60.  
Morris Commercial 'J2' Van 1957-60.
- 38133 WL3. 12v.; C.P. cover; amber window with mask.  
Allard 'K3' 1954-55; 'P2' 1955; '21C' and '21Z' 1953-55.  
Aston Martin DB2 1951-53.  
Austin A135 'Princess' and Limousine 1948-51.  
Healey 16 Roadster 1948.  
Jowett 'Jupiter' Sports 1951-54.  
Lagonda 2½ litre 1949-52.  
Rover '75', '80', '90', '100' and '105' 1952-60.  
Singer 'Hunter' S Model 1956.  
Wolseley 18 and 25 1946-48.
- 38135 WL13. 12v.; C.P. cover; red window.  
Austin-Healey 'Sprite' 1958-60.
- 38138 WL13. 12v.; C.P. cover; red window.  
Sunbeam Saloon Mk. III 1956-57.
- 38140 WL14. 12v.; C.P. cover; red window.  
Humber 'Hawk' 1958-60; 'Super Snipe' 1959-60.  
Sunbeam 'Rapier' 1956-59.
- 38141 WL14. 12v.; C.P. cover; red window.  
Humber 'Hawk' 1958-60; 'Super Snipe' 1959-60.  
Sunbeam 'Rapier' 1956-59.
- 38142 WL14. 12v.; C.P. cover; green window.  
Humber 'Hawk' 1958-60; 'Super Snipe' 1959-60.  
Sunbeam 'Rapier' 1956-59.
- 38143 WL13. 12v.; amber window; insulated return.  
Daimler 'One-O-Four' Ladies' Model 1956.  
Lanchester 'Sprite' 1955-56.
- 38144 WL13. 12v.; green window; insulated return.  
Bond 'Minicar' 1958.  
Daimler 'One-O-Four' 1956; 'Majestic' 1959-60.  
Lanchester 'Sprite' 1955-56.
- 38145 WL13. 12v.; C.P. cover; red window.  
Isotta (Great Britain) '300' 1957-60.  
Morgan 'Plus Four' and 'Four Four' Series II (Ford engine) 1956-60.  
Simca-Aronde 'Chatelaine' 1959.
- 38147 WL13. 12v.; C.P. cover; red window; insulated return.  
Jaguar 2.4 litre 1956-60.
- 38148 WL14. 12v.; C.P. cover; amber window.  
Humber 'Hawk' 1958-60; 'Super Snipe' 1959-60.
- 38150 WL13. 12v.; C.P. cover; red window.  
Morgan 'Plus Four' 1958-60; 'Four Four' Series II (Ford engine) 1956-60.
- 38151 WL13. 12v.; C.P. cover; green window.  
Humber 'Hawk' De Luxe 1957.
- 38152 WL13. 12v.; C.P. cover; red window.  
Humber 'Hawk' De Luxe 1957.
- 38156 WL13. 12v.; C.P. cover; red window.  
Alvis 3 litre TD21 (later) 1959-60.  
Singer 'Gazelle' 1957-59.
- 38157 WL13. 12v.; C.P. cover; green window; insulated return.  
Singer 'Gazelle' 1957-59.
- 38158 WL13. 12v.; C.P. cover; light red window; insulated return.  
Citroen 'Safari' 1960; DS19 and ID19 1960.  
Dodge Petrol Models (Normal Control) 1957-60; Petrol Models (Forward Control) 1958-60.
- 38162 WL13. 12v.; blue window.  
Jensen '541' and '541R' 1957-60.
- 38172 WL14. 12v.; C.P. cover; red window.  
Rover 3 litre 1959-60.
- 38173 WL14. 12v.; C.P. cover; green window.  
Rover 3 litre 1959-60.
- 38174 WL14. 12v.; C.P. cover; amber window.  
Rover 3 litre 1959-60.
- 38175 WL14. 12v.; C.P. cover; green window.  
Rover 3 litre 1959-60.
- 38176 WL14. 12v.; C.P. cover; red window.  
Rover 3 litre 1959-60.
- 38177 WL13. 12v.; C.P. cover; green window.  
Austin-Healey 'Sprite' 1958-60.
- 38179 WL13. 12v.; amber window.  
Standard 'Atlas' 1959-60.
- 38185 WL13. 12v.; C.P. cover; green window; insulated return.  
Citroen 'Safari', DS19 and ID19 1960.
- 38189 WL15. C.P. cover; red window; less bulb and bulb holder.  
Frisky Saloon and Coupé 1958-59.  
Hillman 'Minx' De Luxe 1959-60.  
Peerless 'Gran Turismo' 1960.  
Reliant 'Regal' Car (12 volt) and 5 cwt. Van 1959-60; 'Regent Four' Van (Export only) 1959-60.  
Singer 'Gazelle' Series IIIA 1959-60.  
Sunbeam 'Rapier' Series III 1959-60.
- 38190 WL15. C.P. cover; dark red window; less bulb and bulb holder.  
Bond 'Minicar' 1959-60.  
Commer ½ ton Forward Control and Passenger 1960.  
Frisky Saloon and Coupé 1958-59.  
Hillman 'Minx' De Luxe 1959-60.  
Layton Sports Cars 'Jomar' (T.V.R.) 1959-60.  
Reliant 'Regal' Car (12 volt) and 5 cwt. Van 1959-60; 'Regent Four' Van (Export only) 1959-60.  
Singer 'Gazelle' Series IIIA 1959-60.  
Sunbeam 'Rapier' Series III 1959.
- 38191 WL15. C.P. cover; green window; less bulb and bulb holder.  
Bond 'Minicar' 1959-60.  
Frisky Saloon and Coupé 1958-59.  
Hillman 'Minx' De Luxe Series IIIA 1959-60.  
Karrier 'Gamecock' 1959-60.  
Reliant 'Regal' Car (12 volt), 5 cwt. Van and 'Regent Four' Van (Export only) 1959-60.  
Singer 'Gazelle' Series IIIA 1959-60.  
Sunbeam 'Rapier' Series III 1959-60.
- 38192 WL15. C.P. cover; amber window; less bulb and bulb holder.  
Fairthorpe 'Electron' and 'Electron Minor' 1959-60.  
Frisky Saloon and Coupé 1958-59.  
Hillman 'Minx' De Luxe 1959-60.  
Layton Sports Cars 'Jomar' (T.V.R.) 1959-60.  
Peerless 'Gran Turismo' 1960.  
Reliant 'Regal' Car (12 volt) and 5 cwt. Van 1959-60.  
Singer 'Gazelle' Series IIIA 1959-60.  
Sunbeam 'Alpine' Series III 1959-60.
- 38204 WL13. C.P. cover; violet window; less bulb and bulb holder.  
Austin B.M.C. 3 litre 'Princess' 1960.  
Wolseley 'Six Ninety-Nine' 1959-60.
- 38209 WL13. 12v.; C.P. cover; amber window; insulated return.  
Citroen 'Safari' 1959.
- 38210 WL13. 12v.; C.P. cover; blue window; insulated return.  
Citroen 'Safari' 1959.
- 39007 PL31. Bulb holder; less bulb.  
Alvis 3 litre TD21 Saloon and Coupé 1959-60.  
Austin-Healey '100 Six' and '3000' 1957-60; Healey 'Sprite' 1958-60; LD Models 1958-59; LCFO and 301FC 1958-59; Series III and Series IVFF Forward Control 1958-60; 301 Range 1957-60.  
Bristol '404', 'X404' and '405' 1954-58.  
Commer 'Express' Delivery Van and Truck 1955-57.  
Frazer Nash 'Mille Miglia', 'Targo Florio' and 'Sebring' Hard Top 1955.  
Hillman 'Minx' 1954-57.  
M.G. 'Midget' 1951-55.  
Morgan 'Plus Four' 1946-60.  
Morris 'Cowley' Saloon 1956; 5 cwt. Van 1950-53; Quarter Ton Van and Truck 1954-57.
- 39007—continued  
Morris Commercial 30 cwt. LC Models 1953-60; FV, FVS and FVS12/5 Petrol Tanker 1951-52; FVO, FVSO and FVSO12/5 1949-55; NV, NV12/3, NVO, NVO12/3, NVO11/5, NVS, NVS12/3 and NVS11/5 1951-55; PP Coach 1950-51; 10 cwt. 'J' and 'JB' Vans 1949-60; LD Models 1954-60; LCFO 1958-59; 3 ton 3KNC (G.P.O.) 1956-59; Series III 1956-60; 7 ton Truck, Coach and Tanker (Diesel) 1958.  
Peerless 'Gran Turismo' 1960.  
Riley 'Two-Point-Six' 1958-59.  
Rover '60', '75', '90' and '105' 1958-59.  
Smiths Delivery Vehicles 2 ton (Diesel) 1953-55.  
Standard 12 and 14 1946-48.  
Triumph TR2 and TR3 1955-60.  
Wolseley 'Six Ninety' 1955-59.
- 39010 PL34. Bulb holder only; less bulb.  
Austin A135 'Princess' 1948-55; Ambulance and Hearse 1951-55; LD Models 1958-59; Series IIIFC 1958-60; Series IVFF 1958-60; 301 Range 1957-60.  
Morris 5 cwt. Van 1950-53.  
Morris Commercial LC Models 1953-60; FVS12/5 1955; NV, NV12/3, NVO, NVO12/3, NVO11/5, NVS, NVS12/3 and NVS11/5 1951-55; 3 ton 3KNC (G.P.O.) 1956-59; Series III Trucks, Coach and Tanker 1956-60.  
Rover All Models (except 'Landrover') 1948-50.
- 39015 PL39. Bulb holder only; less bulb.  
Jaguar 2½ and 3½ litre 1949-51.  
Morris 'Oxford' 1950-56; Quarter Ton Van (G.P.O.) 1954.  
Morris Commercial 1/1½ ton LD Models 1954-60; LCFO 1958-59.  
Riley 1½ and 2½ litre 1946-55.  
Singer 9 Roadster 1950-51; 'SM1500' 1949-54.  
Standard 'Vanguard' 1948-55.  
Wolseley 'Four Forty-Four' 1955-56; 'Fifteen Fifty' 1957-59.
- 39020 PL43. Bulb holder only; less bulb.  
Austin A40 1951-54; A70 1951-55; A135 'Princess' 1956-60; Ambulance and Hearse 1951-60; Healey '100', '100 Six' and '100M' 1955-59; 4 x 4 Cargo Truck 1954-55; 2/5 ton Trucks Series II 1951-55; Series III Trucks 1959-60; Petrol Tanker Series III Normal Control 1959-60; 10 cwt. 101 Van 1958-60; Coach Series III Forward Control 1959-60; (alternative).  
Morris Commercial 'JB' Van 1958-60; 3 ton 3KNC (G.P.O.) 1956-59.  
Reliant 'Regal' Car (12 volt), 5 cwt. Van and 'Regent Four' Van (Export only) 1959-60.  
Standard 'Vanguard' Estate Car, Van and Truck 1955-57.
304994. Bulb holder only; less bulb.  
Austin A40 1951-53; A70 1948-55; A90 'Atlantic' 1949-52; A135 'Princess' and Limousine 1955-60; Ambulance and Hearse 1951-60; 'Champ' (Civilian) 1954-56; 3 and 5 ton Series III 1959-60; 2/5 ton Petrol Tanker 1955; Coach Series III Normal Control 1959-60.  
Jensen '541' and '541R' 1954; 4 litre 'Interceptor' 1955.  
Meynell All Models 1952.  
Morris Commercial 3 ton 3KNC (G.P.O.) 1956-59.  
Paramount Roadster and Coupé 1951-53.  
Standard 'Vanguard' 1948-57.
- 318507 WL4. Body only.  
Alvis 14 1946-49.  
Sunbeam-Talbot 10 1946.
- 318604 WL4. 12v.; body with bulb.  
Alvis 14 1950.  
Armstrong Siddeley All Models 1946-54.  
Austin A135 'Princess' and Limousine 1948-55; Ambulance and Hearse 1951-55.  
Bristol 2 litre '400', '401' and '403' 1947-54.  
Daimler 27 and 36 1946-53; 2½ litre (except 'Consort') 1946-48.  
Healey 16 1948-49; 'Tickford' Saloon 1951.  
Humber 'Super Snipe' 1955.  
Invicta 3 litre 'Black Prince' 1948-49.  
Jaguar 1½ litre Saloon 1946.  
Jowett 'Javelin' 1948-51.  
M.G. 1½ litre 1947-53.  
Singer 9 Roadster 1946-49.  
Sunbeam 'Alpine' 1953-55.  
Sunbeam-Talbot 2 litre 1946-47; '80' and '90' 1948-54.  
Triumph '1800' and '2000' 1947-49.  
Wolseley 10 1946-48.
- 318874 WL4. Body only.  
Austin A70 1951-55.

# SUNDRY LAMPS



## VEHICLE APPLICATION REFERENCE—continued

### WARNING LIGHTS AND BULB HOLDERS—continued

#### 554734 WL13. Bulb holder only; less bulb.

Aston Martin DB4 and DB4GT 1959-60.  
Austin 'Seven' (850) 1959-60; A40, A50 and A55 1955-60; A99 1959-60; A105 (BS7) 1957; 'Princess', Limousine, Ambulance and Hearse 1956-60; Healey '100', '100M', '100 Six' and '3000' 1956-60; Healey 'Sprite' 1958-60; 'Metropolitan' 1957-60; LD1A and LD2A 1955-57; Series III Trucks 1958-60; Series IVFF 1959-60; 152 Range 1958-60; Coach Series III 1959-60; 10 cwt. 'Gipsy' 1959-60.  
Jaguar XK140 1956-57.  
Lanchester 'Sprite' 1955-56.  
M.G. MGA1600 and 'Magnette' 1959-60.  
Morris 'Minor 1000' 1957-60; 'Mini-minor' (850), Quarter Ton Van and 'Oxford' 1959-60.  
Morris Commercial 'J2' 1958-60; 7 ton Truck, Coach and Tanker 1958; Series IVFF and IVFG Trucks 1960.  
Peerless 'Gran Turismo' 1960.  
Riley 'One-Point-Five' and 'Four Sixty-Eight' 1959-60.  
Rover '80' and '100' 1960.  
Standard All Models 1960.

#### 554734—continued

Triumph TR3 and 'Herald' 1958-60.  
Wolseley 'Six Ninety-Nine', 'Fifteen Sixty' and 'Fifteen Hundred' 1959-60.

#### 861845. Bulb holder only.

M.G. 'Magnette' 1959-60.  
Nash 'Metropolitan' 1954-60.

#### 863511 WL13. Bulb holder only; with cables for insulated return.

Aston Martin DB4 and DB4GT 1959-60.  
Austin 'Seven' (850) 1959-60; A40, A55 and A99 1959-60; 'Princess' 1957-59; Healey '100 Six' and '3000' 1957-60; 'Sprite' 1958-60; 'Metropolitan' 1957-60; Trucks Series III 1958-60; Series IVFF 1959-60; Series IVFG Trucks 1960; 152 Range 1959-60; Coach Series III Forward Control 1959-60; 10 cwt. 'Gipsy' 1959-60.  
Citroen 'Safari', DS19 and ID19 1960.  
M.G. All Models 1959-60.  
Morris 'Minor 1000', 'Oxford', Quarter Ton Van and Truck and 'J2' 1959-60.  
Morris Commercial Tanker Series III 1958; Series IVFG and IVFF Trucks 1960.

#### 863511—continued

Nash 'Metropolitan' 1958-59.  
Riley 'Two-Point-Six' 1958-59; 'Four Sixty-Eight' 1959-60.  
Standard 'Vanguard', 'Ensign' and 'Atlas' 1960.  
Triumph 'Herald' 1959-60.  
Wolseley 'Six Ninety-Nine' and 'Fifteen Sixty' 1959-60.

#### 54360248 3WL. Bulb holder; 12v. Austin Taxi and Hire Car 1960.

54360500 WL15. C.P. cover; dark red window; less bulb and bulb holder.  
Hillman 'Minx' De Luxe 1960.  
Sunbeam 'Rapier' 1960.

54944812. Bulb holder only.  
Standard 'Vanguard' and 'Ensign' 1960.  
Sunbeam 'Rapier' 1959-60.  
Triumph 'Herald' 1959-60.

54945043 WL15. Bulb holder only with leads.  
Hillman 'Minx' De Luxe 1959-60.  
Rover 3 litre 1959-60.

### PLUGS AND SOCKETS

#### 38604. Two sockets mounted on special base; complete with two-pin plug 304919.

A.C. Cars 'Ace' and 'Aceca' 1958-60.  
Allard 'K', 'L', 'M' and 'P' Models 1949-51; 'P2' Model 1954-55.  
Aston Martin DB4 and DB4GT 1959-60.  
Daimler All Models (except 'Consort', DC27 Ambulance and SP250) 1946-60.  
Hillman 'Minx' (G.P.O. Estate Car) 1954-56.  
Jaguar 3½ litre Mk. V, Mk. VIII and Mk. IX 1946-60.  
Lanchester 14 1952-53; 'Sprite' 1956.

#### 38605. Two sockets mounted on special base; supplied less plug, but suitable for use with plug 545025.

Austin Cargo Truck 1954-55.

#### 39507. Two individual sockets; bright dip finish.

Hillman 'Minx' (G.P.O. Estate Car) 1957.  
Karrier 'Cob' 1946-52.  
M.G. 'Midget' 1951-53.  
Morgan 3-wheeler 1948-52; 'Plus Four' 1946-60; 'Four Four' (Standard engine) 1950; 'Four Four' Series II (Ford engine) 1956-60.  
Morris 'Oxford' Taxi and Hire Car 1947-51.  
Morris Commercial 35/40, 45/55 and 60/70 cwt., 5 ton Forward Control Tipper and ECV13/3 1946-48; CV Ambulance 1946-51; ECV13/5 (Petrol) and ECV013/5 (Diesel) 1949; FV and FVO 1949-50; Petrol Tanker FVO 1951-52; PP Coach 1950-51; 10 cwt. 'J' Van 1949-55.  
Reliant 750 c.c. 3-wheeler 1951-54.

#### 39513. Two holders, each containing one plug and one socket.

Daimler 2½ litre 'Consort' 1950-53.

#### 301187. Similar to 39507, but shorter sockets.

A.C. Cars 'Ace' and 'Aceca' (AC engine) 1955-57.  
Aston Martin DB2 1951-54.  
Commer 5 and 7 ton 1949-50; 5 and 7 ton Forward Control 1950-60; 10/12 ton Tractor (Rootes TS3 Diesel engine) 1957-60; 6½ and 7 ton 1949-50; 'Avenger' Coach (Petrol, 12 volt) 1949-60; 'Avenger' Coach (Rootes TS3 Diesel engine, 24 volt) 1957-60; Fire Tender or Pump Chassis 1955-57.  
Morris Commercial 15/20 cwt. (PV) 1946-53.  
Rover 'Landrover' 1948-60.  
Singer 'Hunter' and 'Hunter S' 1955-56.  
Lagonda 3 litre 1954-58.  
Lanchester, 10 1946-51.

