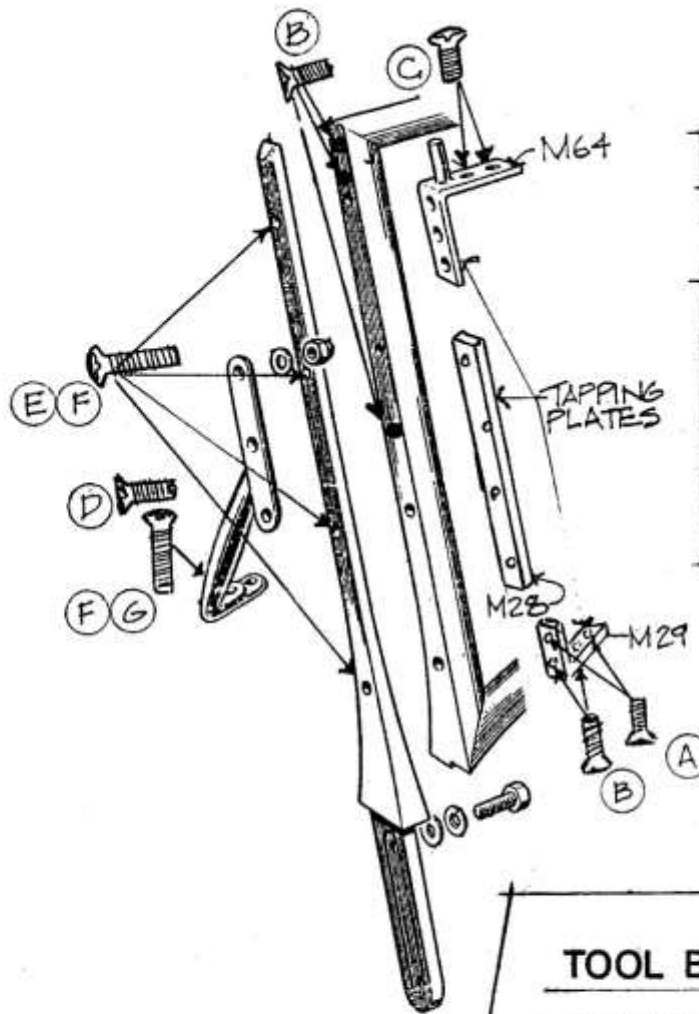


# MGA WINDSCREEN ASSEMBLY

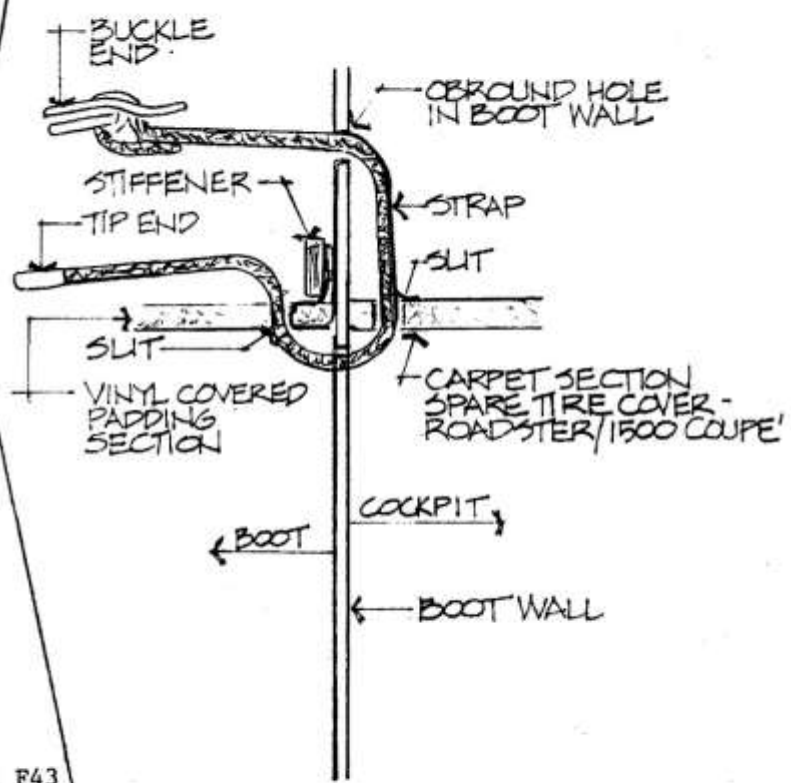


## LOCATION DIAGRAM

(FOR TRIM SCREWS INCLUDED IN F12 FASTENER KIT - ALL 10-32 THREADS)

	LENGTH	HEAD STYLE	QTY.
A.	1/4"	FLAT	4
B.	5/16"	FLAT	10
C.	7/16"	OVAL	4
D.	5/8"	FLAT	6
E.	5/8"	OVAL	4
F.	3/4"	OVAL	6
G.	1"	OVAL	2

## TOOL BAG STRAP LOCATION



VIEW FROM RIGHT SIDE

## TRIM SCREWS

Roadster Interior  
(SEE C.S.R. CATALOGUE - FASTENER SECTION)

### CONTENTS OF F80 SCREW KIT

- 34 #4 x 5/8" screws. Oval hd. F27a & F45
- 4 #4 x 3/8" screws. Oval hd. F27
- 20 #6 (with #4 hd.) x 5/8" screws  
Oval hd. F20 & F37
- 4 #8 x 3/4" screws. Oval hd. F17
- 6 #8 x 5/8" screws. Oval hd. F28
- 34 #4 finishing washers. F27a & F45
- 20 #6 x 1/2" screws. Truss hd. F45
- 2 #10 flat washers. F44
- 2 #10 locking washers. F44
- 2 #10 hex nuts. F44
- 4 #10 (with #8 hd.) machine screws. F44 & F43

132 Total pcs.

