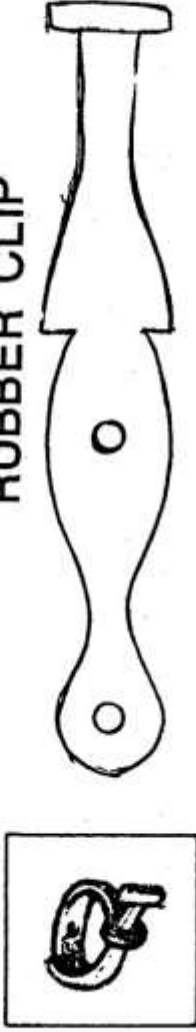


PETROL CAP ASSEMBLY

PETROL CAP ASSEMBLY-In most cases - unless the hinged area is broken, a petrol cap can be readily restored. The stainless steel can be polished to look new and the sundry parts that hold the "lift" lever in position can be cleaned and replated. The screw is a "special" thread and is not easy to replace. The "lift" lever is produced from spring steel. If you are missing the screw, washers, spring, etc. try searching the murky depths of your petrol tank as many times the screw would work its way loose and everything fell in. It was not uncommon for a service station attendant to snap the "lift" lever as he or she would automatically want to push rather than lift the lever. Consequently, the "lift" lever was frequently replaced by the typical MGA owner and many times the cap was not put together properly and/or the star-tooth locking washer was not put back in position. I worked at an MG dealership in 1978 which still held stocks of the "lift" lever! At the time I was able to gather over one hundred levers from Leyland dealers and distributors throughout the country. I believe the "lift" lever was a "best seller" when the cars were in production. Reproduction caps are available and for the most part they are good, except for the "lift" lever which is not formed properly and will not catch to the extension. A proper reproduction of the lever is available and can be retro-fitted to the reproduction cap. "Lift" tab faces directly up when assembly is correctly installed.

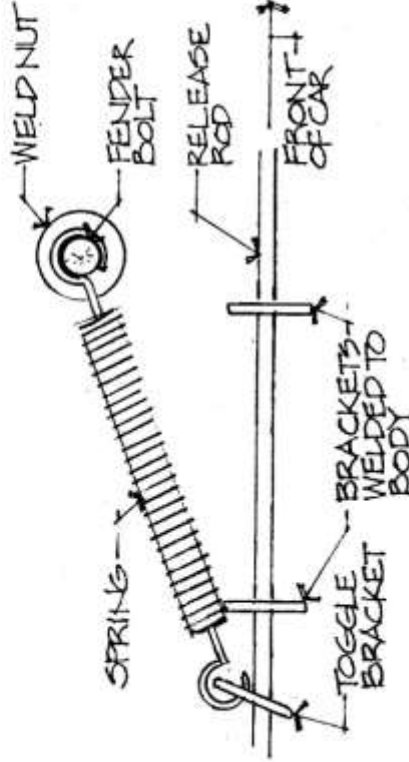
RUBBER CLIP



RUBBER CLIPS - (CSR No. P42) - these clips were used in four locations on the MGA to secure misc. cables in order to prevent vibration noises, wear, etc.

- 1) Heater flap cable to top/LH heater hose. (Factory photos show examples of cable running above and below hose...)
- 2) Starter cable, battery cable and harness section (to coil/generator) held together behind frame member in engine bay area.
- 3) Heater switch wire to fascia support.
- 4) Choke and starter cables to main harness - as they cross each other behind fascia.

CSR



RELEASE ROD SPRING

BONNET RELEASE ROD SPRING LOCATION - a spring is attached to bonnet pull rod via a two hole toggle bracket. The coil spring attaches to this bracket and one of the fender bolt tips. Use the seventh fender bolt mounting location back from forward most bolt. See location diagram. Longer fender bolt used here.